

December 12, 2014

BTB 01261 (1412)

Safety Recall: Headlight LED Lens Film Delaminates

AFFECTED VEHICLES

Year	Model	Trim	VIN Range
2014–15	RLX	ALL	Check the iN VIN status for eligibility
2014	RLX Sport Hybrid	ALL	Check the iN VIN status for eligibility

BACKGROUND

The reflective film backing material inside the headlights may delaminate, which may result in the vehicle no longer conforming to Federal Motor Vehicle Safety Standard No. 108.

CLIENT NOTIFICATION

Owners of affected vehicles will be sent a notification of this campaign.

Do an iN VIN status inquiry to make sure the vehicle is shown as eligible.

Some vehicles affected by this campaign may be in your new or used vehicle inventory. These vehicles must be repaired before they are sold.

Should your dealership sell an unrepaired vehicle that subsequently causes injury or damage because of the recalled item, the dealership will be solely responsible to the damaged party, and will be required to defend and indemnify American Honda for any resulting claims. To see if a vehicle in inventory is affected by this recall, do a VIN status inquiry before selling it.

CORRECTIVE ACTION

Replace both the left and right headlight assemblies.

PARTS INFORMATION

Part Name	Part Number	Quantity
RLX Headlight Kit (includes both left and right headlight assemblies)	06331-TY2-305	1

WARRANTY CLAIM INFORMATION

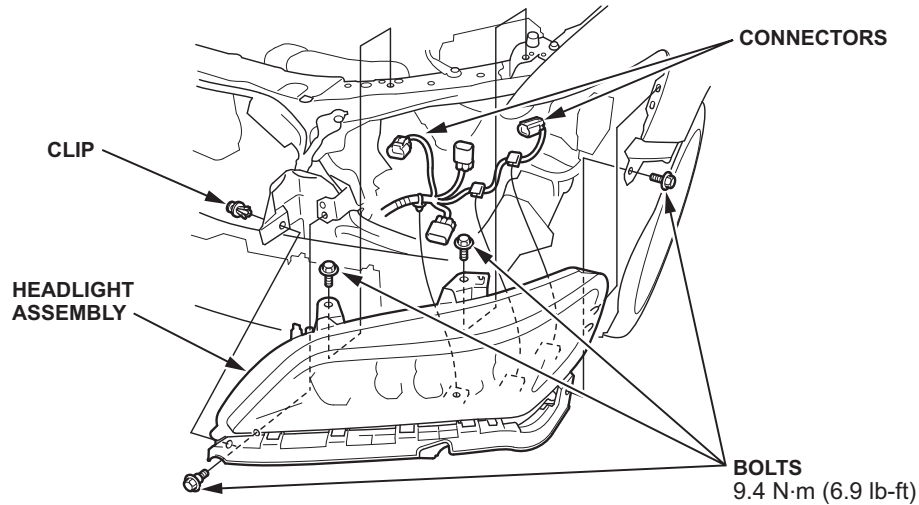
Operation Number	Description	Flat Rate Time	Defect Code	Symptom Code	Template ID	Failed Part Number
7121K0	Replace both the left and right headlight assemblies (includes headlight adjustment).	1.2 hr	5UH00	JN200	14-051N	33150-TY2-A02

Skill Level: Repair Technician

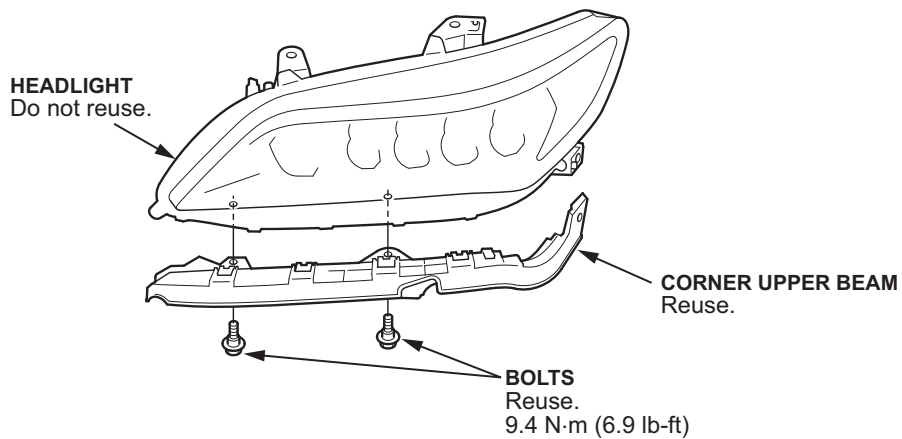
CLIENT INFORMATION: The information in this bulletin is intended for use only by skilled technicians who have the proper tools, equipment, and training to correctly and safely maintain your vehicle. These procedures should not be attempted by “do-it-yourselfers,” and you should not assume this bulletin applies to your vehicle, or that your vehicle has the condition described. To determine whether this information applies, contact an authorized Acura automobile dealer.

REPAIR PROCEDURE

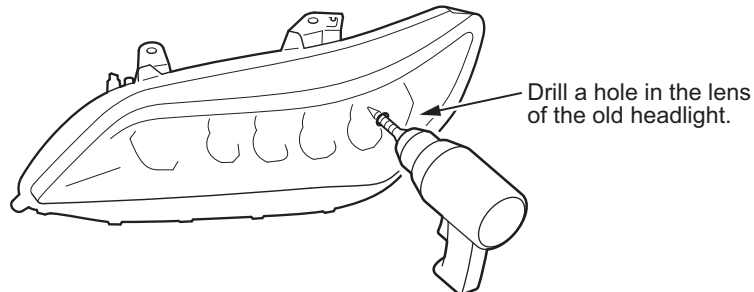
1. Remove the front grille cover.
2. Remove the front bumper.
3. Remove the headlights with the corner upper beam and disconnect the four connectors.



4. Remove the corner upper beams from the headlights.



5. Install the new headlights onto the corner upper beam.
6. Install the headlights in the reverse order of removal.
7. Install the front bumper.
8. Install the front grille cover.
9. Drill a ½-inch hole on the outside lens of the original headlight assemblies so they cannot be reused.



10. Do the Headlight Initial Position Learning Procedure. Refer to the electronic service manual.
11. Adjust the headlights. Refer to the electronic service manual.

END