




**SAFETY  
RECALL**

**SR14-10**

DATE :	APRIL 2014	SECTION :	06 - Electrical
SUBJECT:	12VI5 POWER CABLE CRIMPING [H Series]		

**APPLICATION**

<i>NOTICE TO SERVICE CENTERS</i>	
<i>Verify vehicle eligibility by checking warranty bulletin status with <b>SAP</b> or via <b>ONLINE WARRANTY SYSTEM</b> available on Service / Warranty tab of PrevoSt website.</i>	
Model	VIN 
H3-41, H3-45 coaches Model Year: 2014	From 2PCH33498EC71 <b>2437</b> up to 2PCH33490EC71 <b>2545</b> incl.
H3-45 VIP motorhomes Model Year: 2013 - 2014	From 2PCVS3499DC71 <b>2452</b> up to 2PCV33492EC71 <b>2582</b> incl.
<p><b>This Safety Recall does not necessarily apply to all the above-mentioned vehicles, some vehicles may have been modified before delivery. The owners of the vehicles affected by this recall will be advised by a letter indicating the Vehicle Identification Number (VIN) of each vehicle concerned.</b></p>	

**DESCRIPTION**

Insulation at the crimped terminal ends may not have been stripped back on the power cable between a circuit breaker and the VECR (Vehicle Electrical Center Rear) power distribution box. As a result, the connection may be lost, which may cause the engine to shut down and increase the risk of a vehicle crash.

**MATERIAL**

Order "SR14-10" which includes the following parts:

Part No.	Description	Qty
560086	TERMINAL .250 / 12-10 / INSULATED / AMP 160181-4	1
563536	TERMINAL .3125 / 12-10 / AMP 33459	1

**TOOLS**

Part No.	Description	Qty
-	Crimp tool	1
-	Wire stripper	1

<b>NOTE</b>
<i>Material can be obtained through regular channels.</i>

## PROCEDURE



### DANGER

Park vehicle safely, apply parking brake, stop engine and set battery master switch(es) to the OFF position prior to working on the vehicle.

1. Perform the following inspection in the rear electrical compartment.

Locate the center section of harness **067960** that runs across the bottom of the electrical compartment. It is about one inch in diameter and is secured on the lower cable support.

Locate the harness label (Fig. 1): you may need to cut a few cable ties.

- If date code on harness is **03/21/2013**, proceed with the safety recall.
- If any other date code is present, vehicle is not subjected to recall. Do not carry out any further work.

*Re-install cable ties as required.*



Figure 1 - Label

2. Behind the circuit breaker junction panel (fig. 3), locate wire **12VI 5** connected to **CB8** (Fig. 2&6).

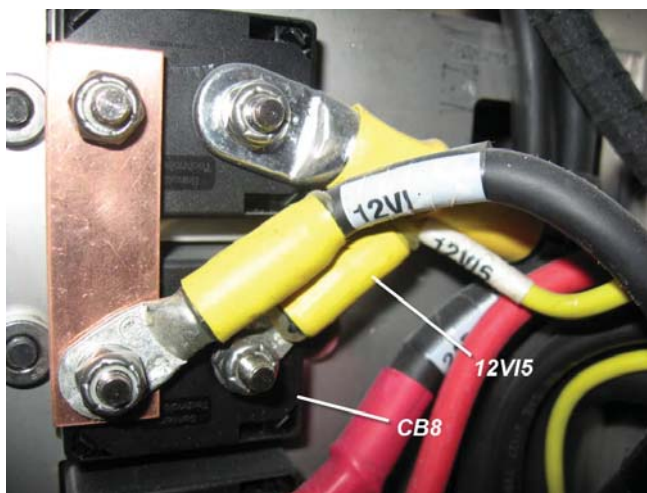
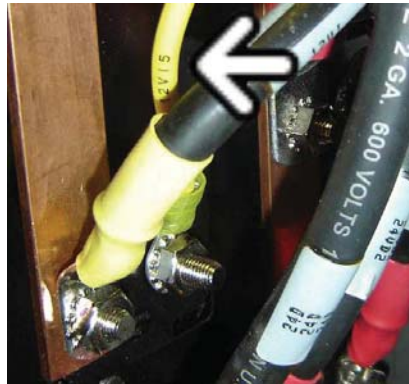


Figure 3 - CB8 end

**Figure 2**

3. On circuit breaker end, cut cable 12VI5 just above the terminal.
4. Strip wire and install ring terminal #560086.

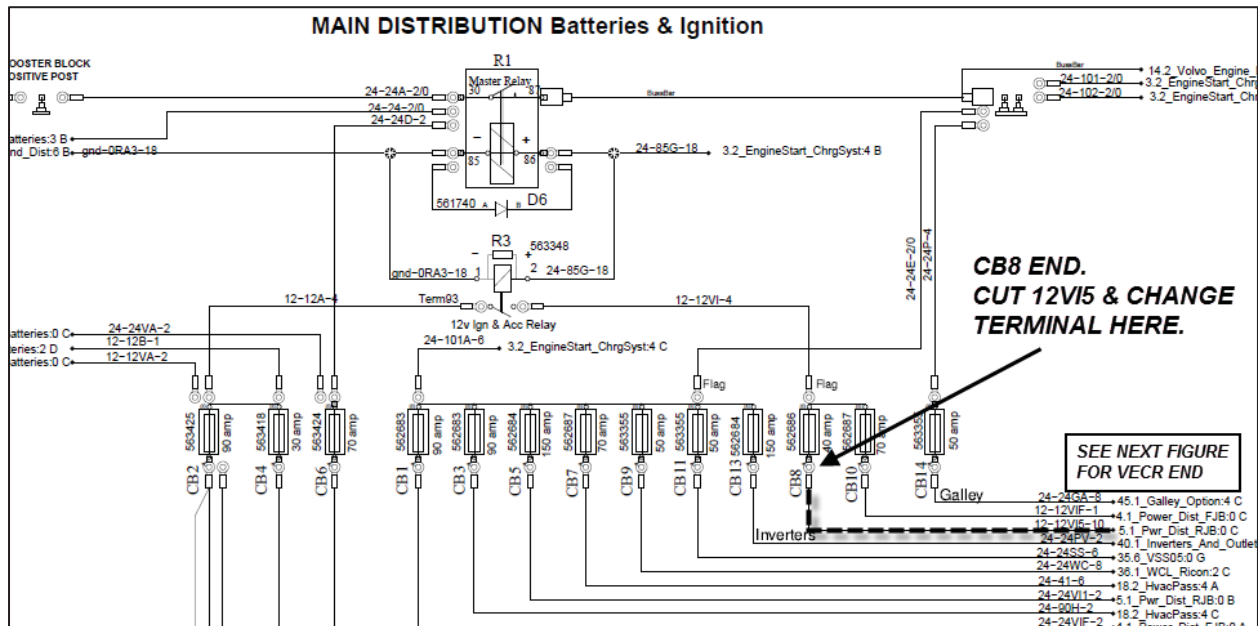


**Figure 4 - CB8 end**

5. On VECR end, cut cable 12VI5 just above the terminal. (Fig 5&7)
6. Strip wire and install ring terminal #563536.
7. Test vehicle functions to ensure proper operation of vehicles systems.



**Figure 5 - 12VIVECR post**



**Figure 6 - Circuit breaker end connections**

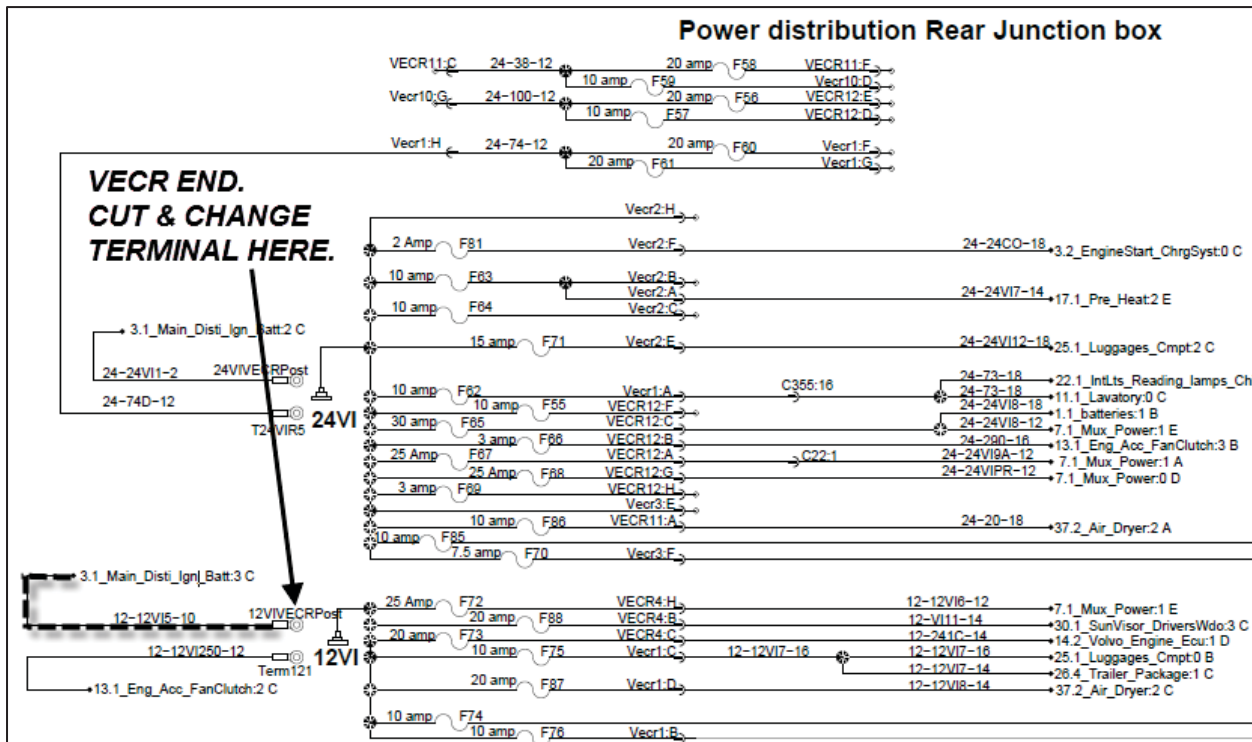


Figure 7 - VECR connections

### PARTS DISPOSITION

DO NOT RETURN THE REPLACED PARTS. Discard waste according to applicable environmental regulations (Municipal/State[Prov.]/ Federal)

### WARRANTY

This modification is covered by Prevost’s normal warranty. We will reimburse you 15 minutes for inspection only or the parts and 45 minutes (3/4 hour) of labor upon receipt of a completed A.F.A. Please submit claim via our Online Warranty System, available at [www.prevostcar.com](http://www.prevostcar.com) (under service \ warranty section). Use Claim Type: “Bulletin/Recall” and select “Safety Recall SR14-10”.

Should you only wish to close the safety recall (without reimbursement), fill-in the “Safety Recall Certification Sheet” provided with this bulletin and return it to our warranty department by Email at [prevost.onlinewarranty@volvo.com](mailto:prevost.onlinewarranty@volvo.com) or by fax at 418-831-9301.

### OTHER

VBC Bulletin	N/A
Fail Code	06.15
Defect Code	09
Syst.Cond.	R
Causal Part	067960

Access all our Service Bulletins on <http://prevostparts.volvo.com/technicalpublications/en/pub.asp> or scan the QR-Code with your smart phone.

E-mail us at [technicalpublications\\_prev@volvo.com](mailto:technicalpublications_prev@volvo.com) and type “ADD” in the subject to receive our warranty bulletins by e-mail.





## Safety Recall Certification Sheet (Ref: SR14-10)

VEHICLE SERIAL NUMBER:

2	P	C																		
---	---	---	--	--	--	--	--	--	--	--	--	--	--	--	--	--	--	--	--	--

PERFORMED BY		OWNER/OPERATOR	
We hereby certify that Safety Recall Instructions with regard to Safety Recall SR14-10 have been performed.			
Name: _____		Name: _____	
Addr: _____		Addr: _____	
Phone: _____		Phone: _____	
Fax: _____		Fax: _____	
Signature : _____	_____	Signature : _____	_____
Date: _____	_____	Date: _____	_____

If the information mentioned above is incorrect or you are not the owner of this vehicle anymore, please fill this section and return to sender.

**NEW OWNER:** \_\_\_\_\_

**BUSINESS:** \_\_\_\_\_

**ADDRESS (including County):** \_\_\_\_\_

\_\_\_\_\_

\_\_\_\_\_

**TELEPHONE:** \_\_\_\_\_ **FAX:** \_\_\_\_\_

Please return this completed document with your A.F.A. form