

FRIGIDAIRE

Factory Parts Catalog

Product No.	CFMV152CLBA	CFMV152CLWA	CFMV154CLSA
Market	Canada	Canada	Canada
Color	black	white	stainless steel
Volts	120	120	120
Watts	900	900	900
Wiring Diagram	316495090	316495090	316495090
Owner's Guide	316495088	316495088	316495088
Installation Instructions	316495063	316495063	316495063

Frigidaire

5855 TERRY FOX WAY
 MISSISSAUGA, ONTARIO, CANADA L5V 3E4

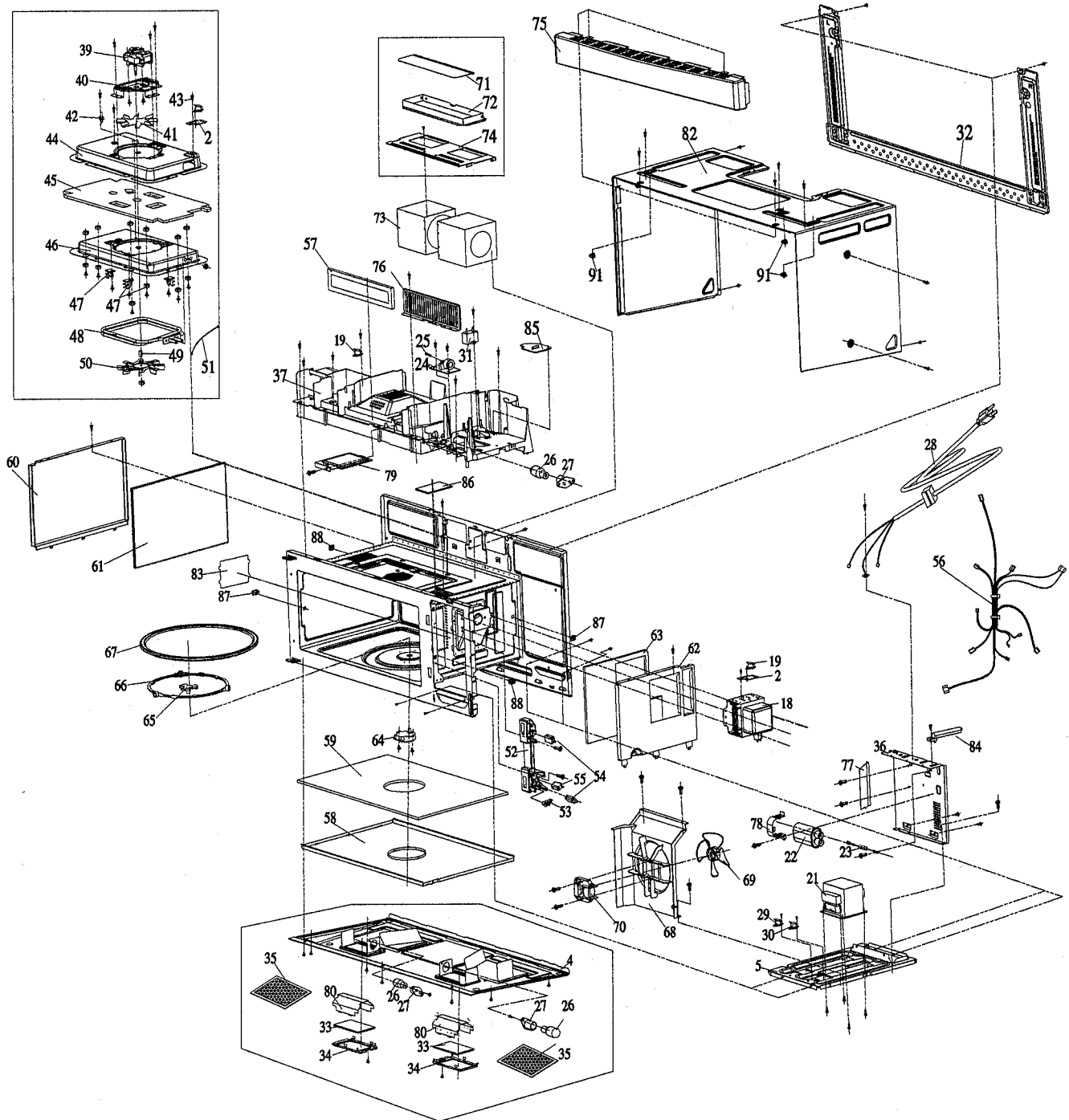
This Catalog replaces 5995596631

Publication No.
5995641239
 14/01/21
 (EN/SERVICE/KC)
 099

OVER-RANGE MICROWAVE

Model No.
 CFMV152CL /
 CFMV154CL

OVEN, CABINET

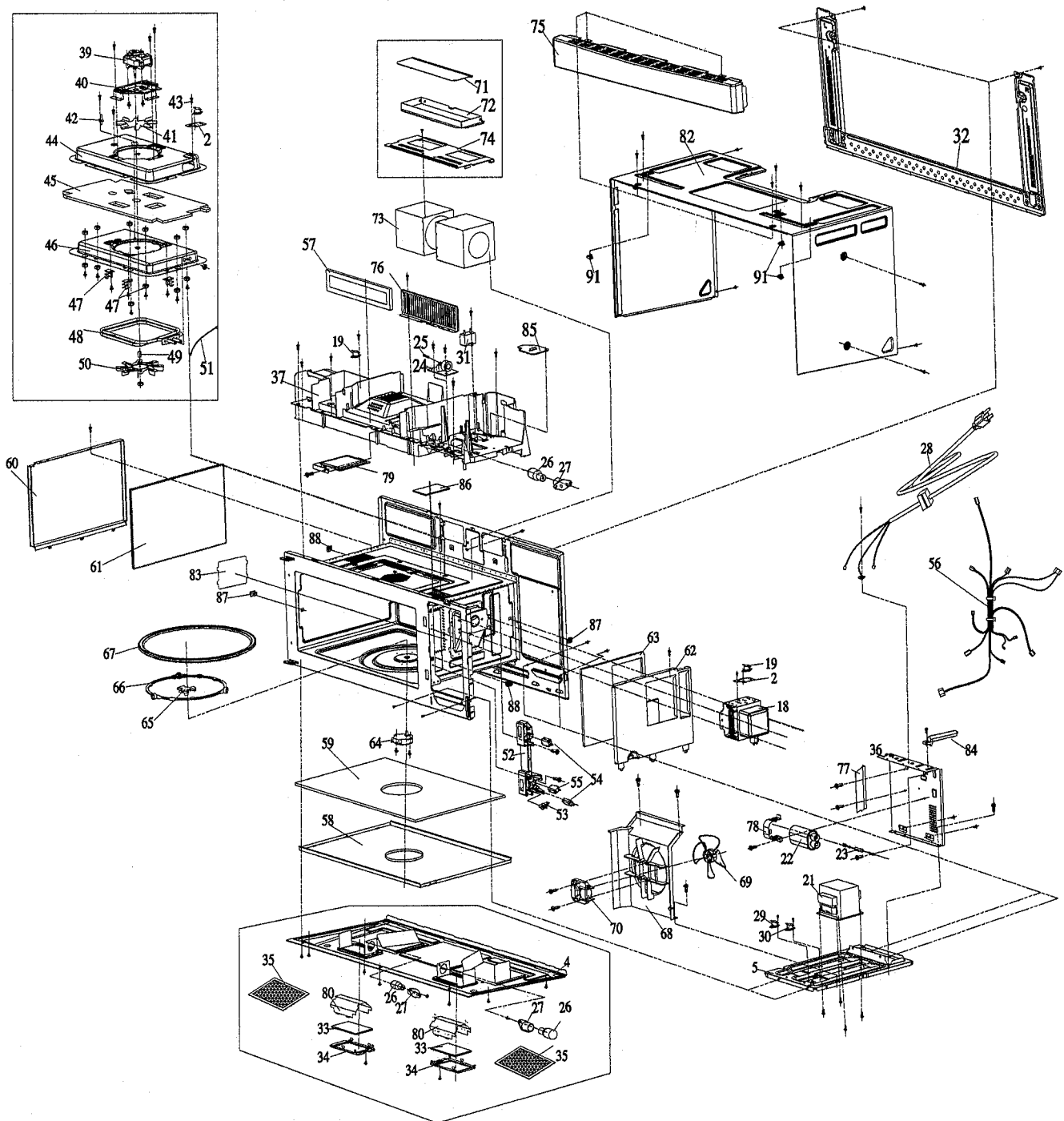


OVEN,CABINET

Model Index: A CFMV152CL (CFMV152CLBA)
 B CFMV152CL (CFMV152CLWA)
 C CFMV154CL (CFMV154CLSA)

POS. NO	PART NO.		DESCRIPTION
2	5304472439	A B C	Bracket, thermostat
4	5304472476	A B C	Cover, unit base
5	5304464063	A B C	Base, transformer, right side
18 #	5304472445	A B C	Magnetron, high voltage
19 #	5304464073	A B C	Thermostat
21 #	5304464075	A B C	Transformer, power, HV
22 #	5304464253	A B C	Capacitor, high voltage
23 #	5304472472	A B C	Diode, high voltage
24 #	5304472447	A B C	Filter, noise, electronic
25 #	5304464087	A B C	Fuse
26	5304464090	A B C	Lamp
27 #	5304464091	A B C	Lampholder, socket
28 #	5304464092	A B C	Power Cord, electric
29 #	5304464093	A B C	Thermostat, cutout, transformer
30 #	5304464094	A B C	Thermostat, cutout, vent motor
31 #	5304464095	A B C	Capacitor, start
32	5304464255	A B C	Plate, mounting, rear
33	5304464103	A B C	Lens, cooktop lamp, glass
34	5304464102	A B C	Frame, lens holder
35 #	5304478913	A B C	Filter, grease, washable
36	5304472451	A B C	Duct, hood intake, right side
37	5304478914	A B C	Duct, air
39 #	5304478915	A B C	Motor, convection fan
40	5304478916	A B C	Bracket, motor mount
41 #	5304478917	A B C	Fan Blade, cooling fan
42 #	5304478918	A B C	Sensor, temperature, thermistor
43 #	5304478919	A B C	Thermostat, 160/95 °H
44	5304480192	A B C	Insulator, heat
45	5304480193	A B C	Insulation, fiberglass
46	5304480194	A B C	Cover, heater
47	5304480195	A B C	Support, heater
48 #	5304480196	A B C	Element, heater, convection
49	5304480197	A B C	Bushing, motor shaft
50 #	5304478928	A B C	Fan Blade, convection
51 #	5304480198	A B C	Wire, heater, thermostat
52	5304464096	A B C	Latch Hook
53 #	5304464097	A B C	Lever, switch
54 #	5304464099	A B C	Switch, interlock
55 #	5304464098	A B C	Switch, monitor
56 #	5304480188	A B C	Wiring Harness, main
57 #	5304464577	A B C	Filter, charcoal, 2" X 10"
58	5304480199	A B C	Panel, heat insulator, bottom
59	5304480200	A B C	Insulation, fiberglass, bottom
60	5304480201	A B C	Insulator, heat, left
61	5304480202	A B C	Insulation, fiberglass, left
62	5304480203	A B C	Insulator, heat, right
63	5304480204	A B C	Insulation, fiberglass, right
64 #	5304464113	A B C	Motor, turntable

OVEN, CABINET

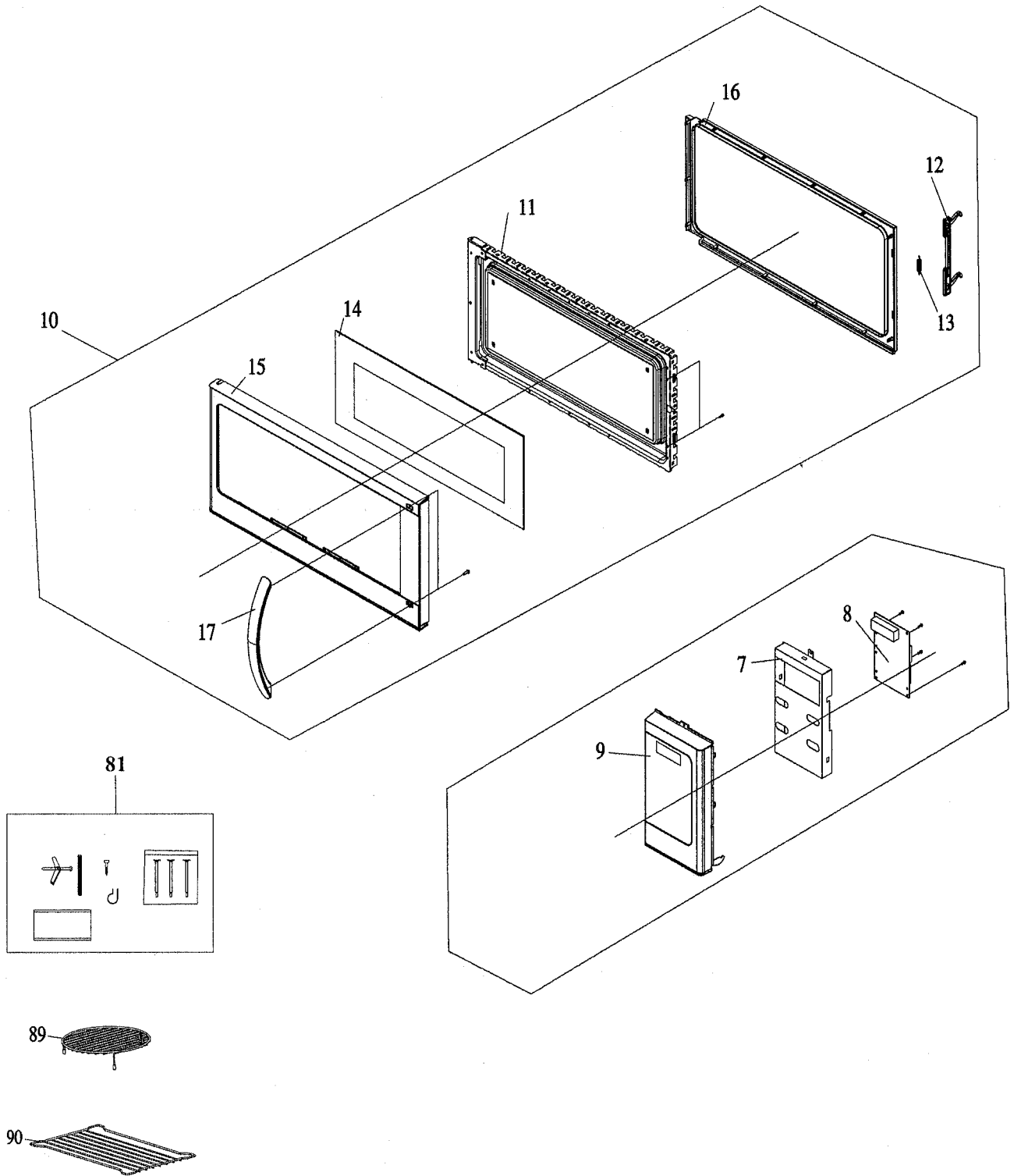


OVEN,CABINET

Model Index: A CFMV152CL (CFMV152CLBA)
 B CFMV152CL (CFMV152CLWA)
 C CFMV154CL (CFMV154CLSA)

POS. NO	PART NO.		DESCRIPTION
65	5304472494	A B C	Coupler, turntable/motor
66	5304464115	A B C	Support, turntable ring
67	5304464116	A B C	Turntable, tray, glass
68	5304478920	A B C	Duct, cooling fan
69 #	5304464257	A B C	Fan Blade, cooling fan
70 #	5304464118	A B C	Motor, cooling fan
71	5304464119	A B C	Damper, door, exhaust adapter
72	5304464120	A B C	Frame, damper housing, exhaust adapter
73 #	5304464121	A B C	Motor, hood/vent fan
74	5304472453	A B C	Cover, vent motor
75	5304472484	A - -	Grille, exhaust, black
75	5304472485	- B -	Grille, exhaust, white
75	5304472493	- - C	Grille Assy, exhaust, stainless
76	5304464256	A B C	Cover, control shield, right
77	5304472454	A B C	Vent, air, magnetron
78	5304464123	A B C	Retainer, capacitor strap
79	5304464111	A B C	Cover, lamp, oven cavity
80	5304464104	A B C	Cover, lamp
82	5304472455	A - C	Cabinet, outer casing, black
82	5304472460	- B -	Cabinet, outer casing, white
83	5304464061	A B C	Cover, waveguide
84	5304478922	A B C	Spacer, duct
85	5304480205	A B C	Baffle, air duct
86	5304478923	A B C	Lens, cavity lamp, glass
87	5304478924	A B C	Support, shelf, A
88	5304478925	A B C	Support, shelf, B
91	5304464598	A B C	Mounting Nut Kit
*	5304472496	A - C	Screw Kit, black
*	5304472497	- B -	Screw Kit, white

CONTROL PANEL, DOOR, MISC.



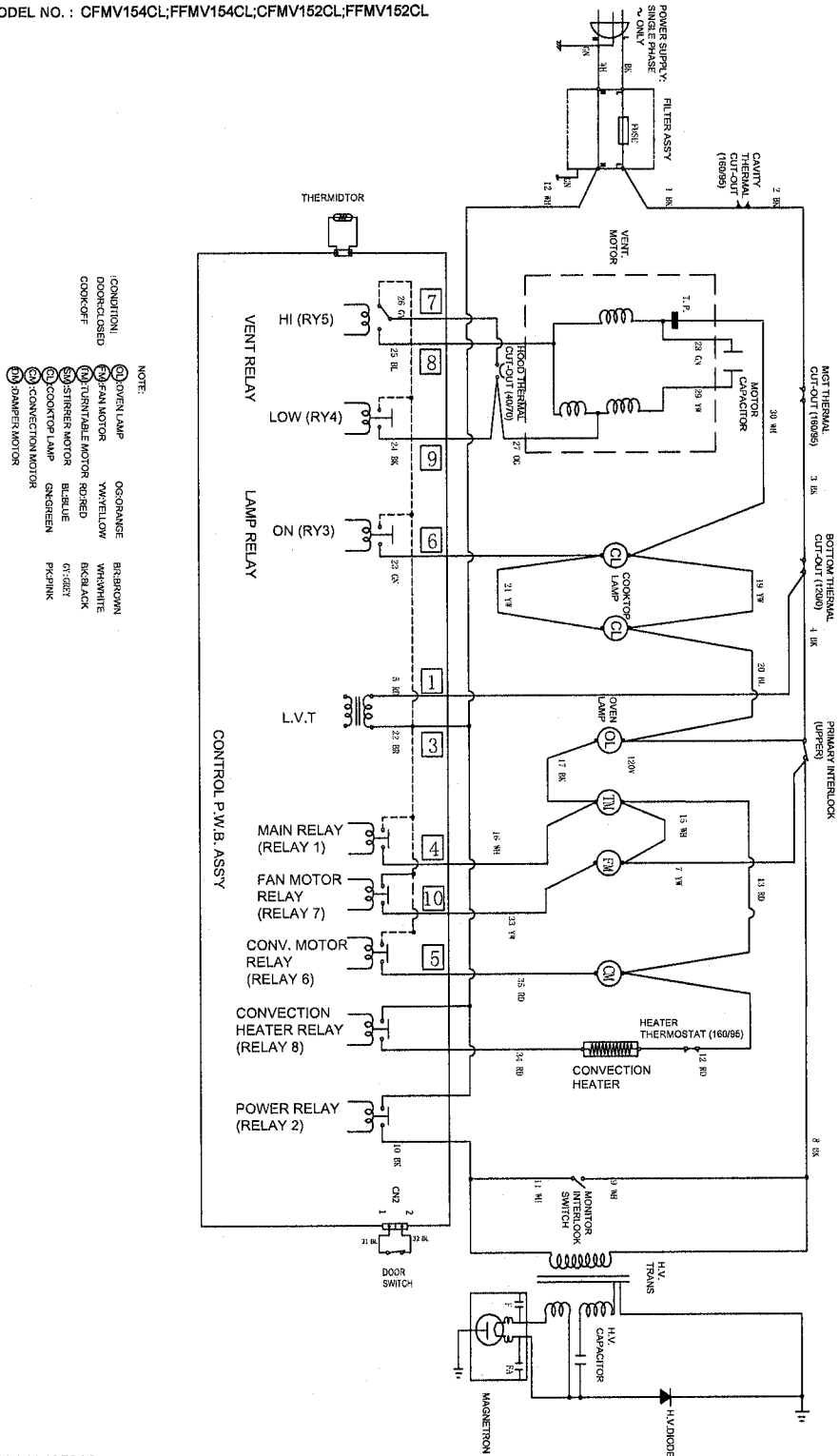
CONTROL PANEL,DOOR,MISC.

Model Index: A CFMV152CL (CFMV152CLBA)
 B CFMV152CL (CFMV152CLWA)
 C CFMV154CL (CFMV154CLSA)

POS. NO	PART NO.		DESCRIPTION
7	5304464065	A B C	Panel, control mount, bracket
8 #	5304480187	A B C	Control Board, printed circuit
9 #	5304478897	A - -	Control Panel, w/overlay, black
9 #	5304478898	- B -	Control Panel, w/overlay, white
9 #	5304478896	- - C	Control Panel, w/overlay, SS
10	5304478900	A - -	Door Assembly, black
10	5304478901	- B -	Door Assembly, white
10	5304478899	- - C	Door Assembly, stainless
11	5304478902	A - C	Panel, inner door, black
11	5304478903	- B -	Panel, inner door, white
12 #	5304477389	A B C	Latch, door
13	5304464069	A B C	Spring, door latch
14	5304464067	A - C	Panel, glass, black, outer door
14	5304464134	- B -	Panel, glass, white, outer door
15	5304477394	A - -	Panel, outer door, black
15	5304477395	- B -	Panel, outer door, white
15	5304477403	- - C	Panel, outer door, stainless
16	5304464071	A B C	Choke Cover, inner door
17	5304477398	A - -	Handle Assembly, door, black
17	5304477399	- B -	Handle Assembly, door, white
17	5304477401	- - C	Handle Assembly, door, stainless
81	5304492057	A B C	Mounting Kit, with templates
89	5304478926	A B C	Rack, round, wire, 3-leg
90	5304478927	A B C	Shelf, wire

WIRING DIAGRAM

MODEL NO. : CFMV154CL;FFMV154CL;CFMV152CL;FFMV152CL



P/N 316495090