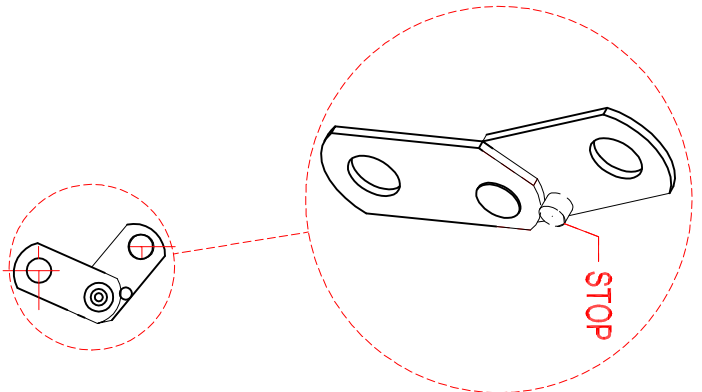


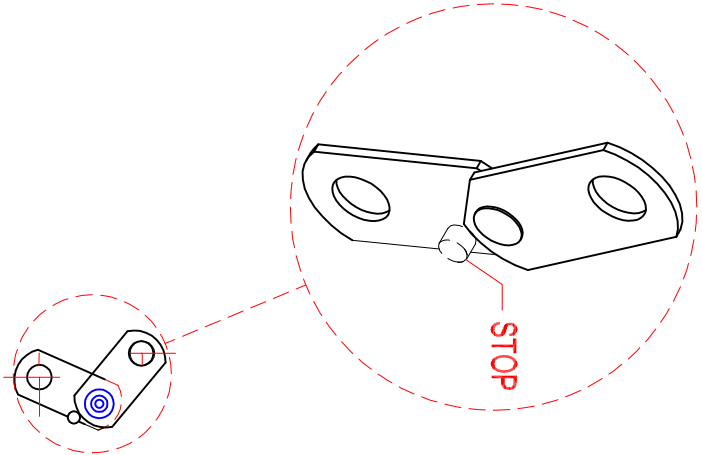
REVISIONS				
ZONE	REV	DESCRIPTION	DATE	APPROVED

**CORRECT INSTALLATION OF THE ABTS HINGE LINK.**



THE ABTS HINGE LINK IS INSTALLED CORRECTLY WHEN THE UPPER LINK WITH THE STOP IS TOWARD THE SEAT FRAME AND THE LOWER LINK IS OUTBOARD FROM THE SEAT FRAME.

**INCORRECT INSTALLATION OF THE ABTS HINGE LINK.**



THE ABTS HINGE LINK IS INSTALLED INCORRECTLY WHEN THE UPPER LINK IS OUTBOARD FROM THE SEAT FRAME AND THE LOWER LINK WITH THE STOP IS INBOARD FROM THE SEAT FRAME.

**LEFT SIDE OF DRIVERS SEAT SHOWN  
RIGHT SIDE PASSENGER SEAT THE SAME.**

**REFERENCE NHSTA RECALL # 14E009.**

*This drawing is the property of Villa International all rights reserved.*

<b>VILLA INTERNATIONAL</b>				
<b>ABTS HINGE LINK, IDENTIFICATION</b>				
JGM 4.29.14	SIZE	FORM NO.	DWG NO.	REV
	SCALE		04	