

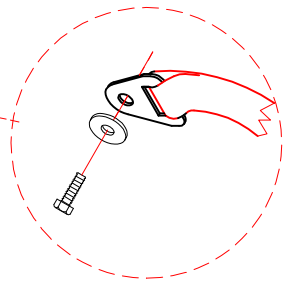
4

3

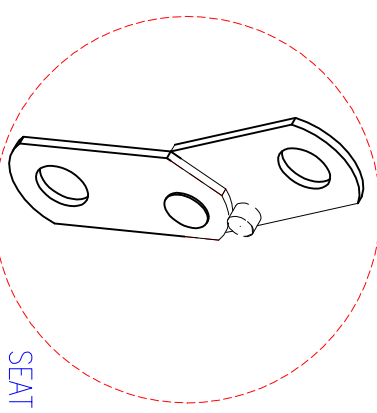
2

1

REVISIONS				
ZONE	REV	DESCRIPTION	DATE	APPROVED



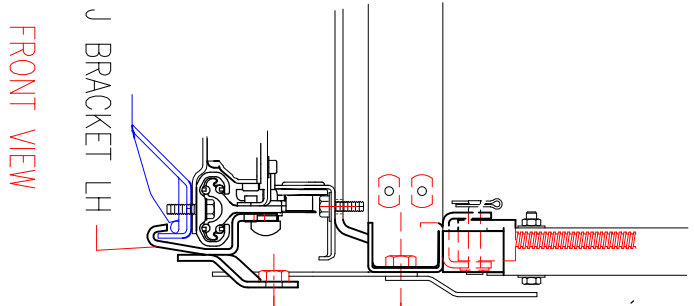
FRONT OF SEAT



SEAT BELT END BRACKET

7/16-20 x 1.5" grade 5 BOLT

SEAT BELT END



J BRACKET LH

FRONT VIEW

WASHER 7/16 USS

BUSHING 16220

WASHER 7/16 USS

J BRACKET LH

LH SIDE VIEW

ABTS HINGE LINK SHOWN INSTALLED CORRECTLY WHEN THE LOWER LINK IS OUTBOARD FROM THE SEAT FRAME.

THIS DRAWING SHOWS THE CORRECT HINGE INSTALLATION FOR ABTS SEATING.

LEFT SIDE OF DRIVERS SEAT SHOWN
RIGHT SIDE PASSENGER SEAT THE SAME.

REFERENCE NHSTA RECALL # 14E009

This drawing is the property of Villa International all rights reserved.

VILLA INTERNATIONAL

ABTS HINGE LINK, RECALL INSPECTION

JGM 4.28.14

SIZE	FORM NO.	DWG NO.	REV
SCALE			01

4

3

2

1

A

B

C

D