



210 Inverness Center Drive
Birmingham, AL 35242

Telephone: 205-991-7733
Facsimile: 205-991-9993
www.altec.com

IMPORTANT SAFETY RECALL

NHTSA Safety Recall No. 14V-601

October 24, 2014

Dear Altec Owner,

This notice is sent to you in accordance with the requirements of the National Traffic and Motor Vehicle Safety Act, and Canada Motor Vehicle Safety Act.

Altec Industries, Inc. has decided that a defect which relates to motor vehicle safety exists in certain DC1317 and DC1317HP Chipper Units. These units have disc bearing cap screws that can break during use. The cap screw failure can possibly cause the chipper disc to contact the housing resulting in death or serious injury.

Refer to CSN 604 for the items covered under the warranty policy. Altec will supply, free of charge, cap screws to correct this condition.

In order to determine if your unit is affected by CSN 604, compare the serial number of your unit with the list of affected units attached to the CSN. The repair can be performed by the customer or you may contact Altec at 1-877-GO-ALTEC (1-877-462-5832) for further assistance.

At any time, you may contact Altec at 1-877 GO ALTEC (1-877-462-5832) with your unit's serial number to determine if there are any other outstanding notices.

For US owners: after contacting Altec, if you are still not able to have the safety condition remedied within a reasonable time, you may write to: Administrator, National Highway Traffic Safety Administration, 1200 New Jersey Avenue SE, Washington, DC 20590 or call 1-888-327-4236 (TTY: 1-800-424-9153) or go to <http://www.safercar.gov>.

For Canadian Owners: if you are still not able to have the safety condition remedied by your dealer within a reasonable time, please contact Altec Customer Service at 1-877-GO-ALTEC (1-877-462-5832).

If you had this repair performed before you received this letter, you may be eligible to receive reimbursement for the cost of obtaining a pre-notification remedy of the problem associated with this recall. If you have sold or retired the unit please call Altec at 1-877-GO-ALTEC (1-877-462-5832) so the records may be changed.

If you have leased this equipment to another person or company, you are required by Federal Law to forward a copy of this notice to the lessee by first class mail within ten (10) days of the receipt of this notice.

We are sorry to cause this inconvenience; however we are taking this action in the interest of your safety and continued satisfaction with Altec products.

Thank you for your immediate attention on this important matter.

Customer Service Notice

Date: October 24, 2014

Units Affected: DC1317 and DC1317HP Chipper units built between September, 2011 and July, 2014 (see attached list)

Disc Bearing Hardware Inspection and Replacement

Altec is committed to providing our customers with safe and reliable products from initial delivery throughout the useful life of the machine.

Some customers have reported the failure of the disc bearing attachment cap screws on the affected chippers. A large bearing held to the chipper body by four cap screws supports each side of the chipper disc shaft. The cap screws that failed have all been those holding the bearing on the opposite side of the belt pulley. Investigation found that the cap screws may have loosened due to a change in the specifications of the cap screws. If all four cap screws fail on the bearing mounting, the disc and blades can rub the side of the chipper disc housing causing damage to the chipper. **Serious injury or property damage can occur if the chipper disc contacts the chipper housing.**

Altec requires all affected chippers be inspected for damaged or broken cap screws no later than 30 days from the receipt of this CSN. If there are no damaged or broken cap screws, Altec requires that the four disc shaft bearing cap screws be replaced on the side opposite the belt pulley with specific fasteners supplied by Altec. If any of the four cap screws are found to be broken at the inspection, the bearing plate and cap screws must be replaced at an Altec Service Center or by an Altec approved maintenance facility.

Use the procedure beginning on Page 2 to inspect the cap screws. Order Chipper Disc Bearing Cap Screw Replacement Kit, part number 970570996, if none of the cap screws are broken. If one or more are broken, contact Altec, 1-877-GO ALTEC (1-877-462-5832), to schedule the work to be done at an Altec service facility.

This repair is covered under the Altec Warranty Policy and can be performed by Altec or the customer's warranty provider. Altec will allow up to \$75 for the inspection and labor to perform the cap screw replacement. A warranty claim must be submitted for the cost of the labor. Customers are responsible for the travel costs of an Altec Mobile Service technician if the technician performs the inspection or repair at the owner's location.

Cap Screw Inspection Procedure

1. Position the chipper in a well-lighted, level area. Secure the chipper so it will not roll.
2. Look at the disc housing on the side opposite the belt pulley (refer to Figure 1). Remove the cover over the end of the disc shaft.

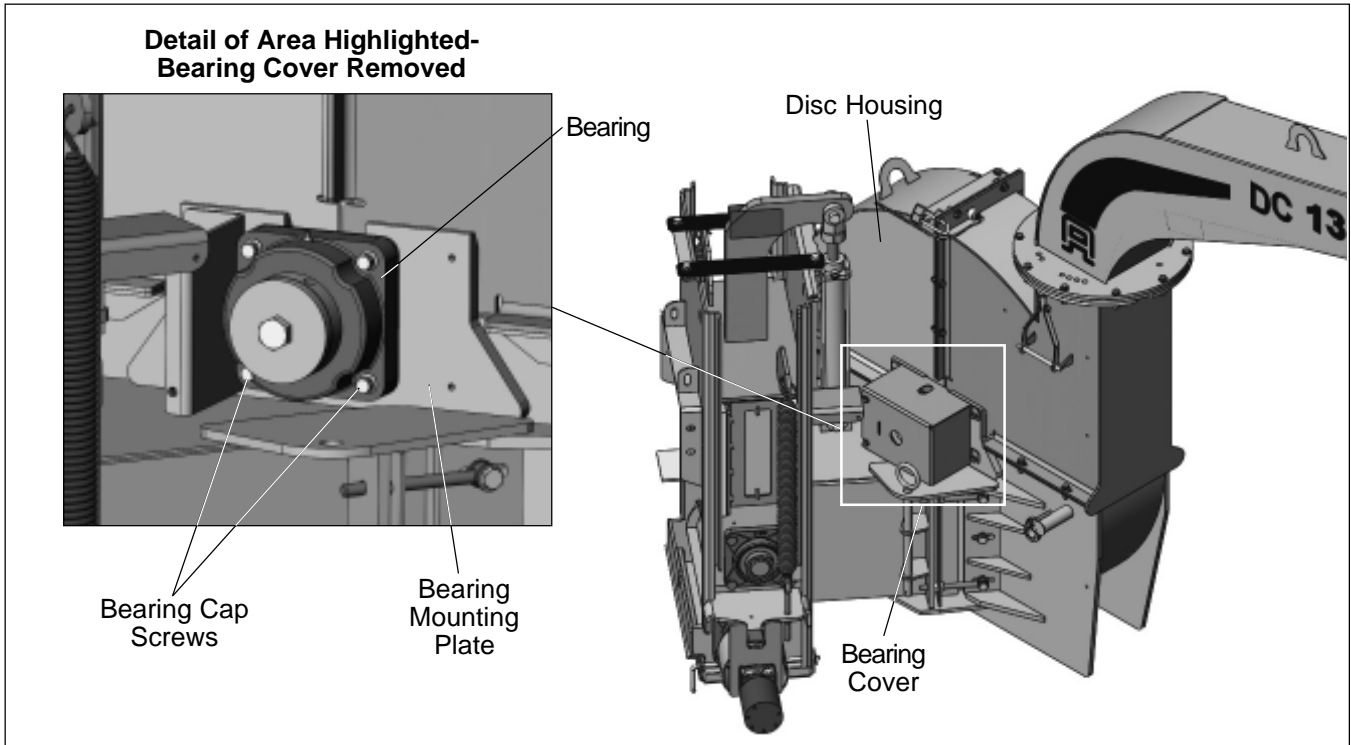


Figure 1 — Bearing Cover Location

3. Four cap screws attach the bearing to the plate. Check each one to be sure it is not loose or broken. If any are loose, remove it and apply blue thread locking adhesive (Altec part number 099-00020) on the threads of the cap screw. Reinstall the cap screw and torque to 160 ft-lb. This is a temporary step until all four are replaced.
4. If all four cap screws are in good condition, install the cover over the end of the shaft. Order the cap screw replacement kit and replace the cap screws within 90 days of the inspection.
5. If any of the four cap screws are broken or appear damaged, remove the chipper from service and contact an Altec Service Center to schedule the repair. The chipper can not be used until repaired. If any unusual noise is heard during operation, discontinue use immediately and contact Altec.
6. When the inspection is complete, record the results on the Inspection Sheet, Page 3, and return the page to Altec.

CSN 604 Inspection Sheet

Complete this form and FAX to: 1-877-659-9929

or scan and email to product.safety@altec.com

Model	Serial Number	Cap Screw Condition		Date Inspected
		Intact	Broken	

Make additional copies of this form, as needed, for additional units. Contact Technical Support at 1-877-GO ALTEC (1-877-462-5832), prompt 4, for further repair information.

Company Name: _____ Phone _____

Service Company Name: _____ Phone: _____

Company Contact: _____

Company Street Address: _____

State: _____ ZIP Code: _____

Signature: _____