

**HOPPER
RECALL
CAMPAIGN
INSTRUCTIONS
2013**

CONTENTS

1. Cover letter
2. Ag Hopper Recall and Campaign Document Revision Release
3. Inspection /Repair Report Form
4. Sample copy of US Dealer letter concerning recall 13V-025
5. Sample copy of US Owner letter concerning recall 13V-025
6. Sample copy of Canadian Dealer letter for recall 2013-035 and 2013-036
7. Sample copy of Canadian Owner letter for recall 2013-035 and 2013-036
8. Unit list repair breakdown

Recall Repair Documents

9. RD00031 REV C- Ag Hopper Trailer Coupler to Hopper Structure Upgrade
10. RD00040 REV 0- Ag Hopper-Susp Subframe Front Attachment Upgrade

Additional Campaign Repairs

11. RD00037 REV A- Ag Hopper Trailer Coupler to Hopper Structure Upgrade
12. RD00032 REV 0- Ag Hopper Aluminum Subframe Bolt Torque
13. RD00033 Rev 0- Ag Hopper Top Rail Rivets Upgrade
14. RD-00035 Rev B- Ag Hopper Center Bulkhead Upgrade
15. RD-00041 REV 0- (suspension channel upgrade)

Misc.

16. Grain Hauler Update Codes
17. Parts List for Hopper Recall and Campaigns
18. SK07774 Plans for Coupler Repair Cart



Stoughton Trailers, LLC

March 26, 2013

Reference:

NHTSA Recall No. 13V-025
Transport Canada Recalls No. 2013-035 & 2013-036
Stoughton Trailers Ag Hopper Upgrade Campaigns

Model: AHV

Model Years: 2009, 2010 and 2011

To All Hopper Dealers and Repair Shops,

This booklet contains information you need to perform the repairs required to comply with NHTSA safety recall No. 13V-025 and Transport Canada safety recalls No. 2013-035 and 2013-036. In addition it contains other repairs/upgrades that are not part of the safety recalls but are part of a campaign by Stoughton Trailers to improve the durability of the trailers.

A spreadsheet is included listing all the Ag Hopper trailers covered by the safety recalls (1115 units). Reference the spreadsheet to determine what repairs are needed for each individual trailer. For example, there are two repairs required for the recalls, RD-00031 and RD-00040. While all 1115 units require RD-00040 only 638 require RD-00031.

We have included a checklist that must be filled out on each unit that you process through your shop. Included in the checklist are the repair document numbers and the parts lists that you will need to complete the repairs properly. The checklist will allow you to log all the repairs that you make on the unit. By returning a copy of the checklist with your invoice we can expedite your payments and provide proper documentation to the government.

While these Hoppers are in your shop for the recall repairs we are requesting that you also address other repair/upgrade campaigns that will improve durability and may prevent problems in the future. These include the adding of fasteners

on the top rails (RD-00033), adding extra fasteners to center bulkhead (RD-00035), re-tightening bolts on aluminum suspensions (RD-00032), adding a shear plate in aft coupler area (RD-00037) and reinforcement of suspension rails (RD-00041). Please give these updates the same attention that you are giving to the recall repairs.

Please continue taking “before” photos of all the units that are brought in and email them to warranty@stoughtontrailers.com . We will try our best to supply you with parts in a timely manner but don't hesitate to call if you are short on parts. If you have any questions regarding parts or how to perform a repair please call Customer Service at 608-873-2555.

Thank you for your support,

Tom Daily
Customer Service/Warranty

STOUGHTON TRAILERS

AG HOPPER RECALL AND CAMPAIGNE DOCUMENT REVISION RELEASE

Last updated of this list: 3/18/13

Reference:

1. US NHTSA Recall No. 13V-023, requires RD-00031 and RD-00040
2. Transport Canada Recall No. 2013-035, requires RD-00031
3. Transport Canada Recall No. 2013-036, requires RD-00040

The repair documents in this list are to be used to comply with the above listed US and Canadian recalls or as part of a general campaign to upgrade Model Years 2009, 2010 and 2011 Stoughton Ag Hopper trailers.

Notes:

1. This list shows the most recent revision date and level for all repair documents.
2. Before using documents in this package check that it is of the latest revision level released.
3. When revised repair documents are distributed they will come with an update of this list.
Replace the old repair document and list with the new revised repair document and this list.

REPAIR DOCUMENT	REVISION LEVEL	REV DATE	TITLE	REV DESCRIPTION
RD-00031	C	3/15/13	Ag Hopper Trailer Coupler to Hopper Structure Upgrade	Corrected Canadian recall No. call out to 2013-035
RD-00032	--	9/12/12	Ag Hopper Trailer Bolt-On Suspension Bolt Torque	
RD-00033	--	8/17/12	Ag Hopper Top Rail Rivet Upgrade	
RD-00035	B	3/14/13	Hopper Bulkhead Upgrade	Added bolt torque
RD-00037	A	8/6/12	Ag Hopper Trailer Coupler to Hopper Structure Upgrade	
RD-00040	--	3/15/13	Ag Hopper Susp Subframe Front Attachment Upgrade	
RD-00041	--	3/22/13	Ag Hopper Suspension Subframe Channel Upgrade	

NHTSA RECALL 13V-025 INSPECTION/REPAIR REPORT (SAME AS TRANSPORT CANADA RECALLS #2013-035 AND #2013-036)

VIN #

SHOP NAME

OWNER

STREET CITY ST ZIP CODE

Phone #

Code	HRS	NHTSA RECALL 13V-025/ TRANSPORT CANADA #2013-035 & #2013-036					repair checked /performed by
				performed	not needed	Date	
7030	18	RD-00031	Coupler to Hopper Structure Upgrade (09's an10's)				
			PARTS KIT - SK-07728 KIT				
		AND					
7040	2	RD-00040	Ag Hopper Suspension Subframe Front Attachment Upgrade				
			PARTS KIT 17 05096 KIT				

Additional campaign repairs performed							repair checked /performed by
				performed	not needed	Date	
7032	6	RD-00037	Coupler to Hopper Structure Upgrade				
			(late 10's, 11's and 12's) PARTS KIT - SK 0732 KIT				
7033	1	RD-00032	Ag Hopper Aluminum Subframe Bolt Torque				
			NO PARTS NEEDED				
7034	2	RD-00033	Ag Hopper Top Rail Rivets Upgrade				
			04 97072 000 00				
7035	2	RD-00035	Ag Hopper Center Bulkhead Upgrade				
7041	6	RD-00041	Suspension channel upgrade (to be released soon)				

MISCELLANEOUS							repair checked /performed by
				performed	not needed	Date	
7028	1 1/2		SUSPENSION REAR FRAME BRKTS - SK-7028-KIT				

PLEASE COMPLETE AND RETURN A COPY OF THIS FORM FOR EVERY UNIT

SEEN/REPAIRED BY YOUR SHOP



Stoughton Trailers, LLC

March 26, 2013

Dealer Name

Address

Address

Re: Notice of possible defect
NHTSA ID# 13V-025
Trailer Serial # xxxxxxxxxxxxxxxxxxxx

SAFETY RECALL NOTICE

To: All STOUGHTON Model AHV Trailer Dealers and Authorized Repair shops

Stoughton Trailers, LLC (Stoughton) has decided that a safety defect may exist in certain model year 2009-2011 AHV Model trailers (commonly referred to as "Grain Haulers" or "Ag Hoppers"). Accordingly, a recall to address this issue is being initiated effective immediately and as soon as current owners can be notified. The defects involve the following:

- A. Possible fatigue cracks found in the suspension subframe channels to hopper crossmember front attachment on trailers produced from December 17, 2007 – October 28, 2010 (a total of 1,115 trailers). Trailers manufactured after that date are equipped with a newly designed suspension subframe front attachment. While Stoughton is unaware of any instance in which a crack in the suspension subframe front attachment has led to a loss of vehicle control or a crash, if such a crack develops and is left uncorrected, Stoughton is not able to rule out the possibility that over the life of the trailer, such crack could lead to loss of vehicle control and/or a crash which could result in serious bodily injury or death, as well as property damage.

- B. Possible fatigue cracks in the lower rails of trailers produced from December 17, 2007 – September 24, 2009 (a total of 638 trailers). These fatigue cracks may develop in the area just forward of the landing gear of

the trailer. Stoughton is not aware of any instances in which the lower rail has completely fractured, or of any instance in which cracking of the lower rail in this area has lead to a loss of vehicle control or a crash. However, Stoughton is not able to rule out the possibility that over the life of the trailer cracks developing in the lower rail that are not repaired could lead to a failure of the rail at some point. Such a failure could result in serious bodily injury or death, as well as property damage.

Owners of affected trailers will be notified by mail about the recall and will be instructed to bring their trailers to the nearest participating dealership for correction. Attached is a list of participating dealerships. If you are on the list and do not want to be, or if you are not on the list and want to do the repairs, please contact Tom Daily or Pam Alexander at the phone numbers or e-mail addresses provided below.

The needed corrective actions are set forth on the attached Repair Documents RD-00031, Ag Hopper Trailer Coupler to Hopper Structure Upgrade and RD-00040, Ag Hopper Suspension Subframe Front Attachment Upgrade. The repair documents will be sent seperately. There is no cost to owners for this recall. You will be reimbursed by Stoughton for your costs in remedying the defects, and you should process completed work as you would warranty claims.

Please be reminded that it is a violation of federal law for you to sell or lease the trailers covered by this notification until this recall has been performed on them. Substantial civil penalties apply to violations of this law.

Your assistance with this recall is very much appreciated. Should you have any questions or concerns, please contact:

Tom Daily
Phone: 608-873-2510
Fax: 608-873-2566

Tomd@stoughtontrailers.com

Or Pam Alexander
Phone: 608-873-2580
Fax: 608-873-2566

Pama@stoughtontrailers.com

Sincerely,

Tom Daily
Customer Service

Enclosures: Customer Notice
Trailer list with serial numbers

STOUGHTON TRAILERS RECALL 13V-025 AUTHORIZED REPAIR SHOPS

Dealer	NAME	ADDRESS	CITY	ST	ZIP	PHONE #	CONTACT
*	JIM HAWK TRUCK & TRAILER	3119 S 9TH STREE	COUNCIL BLUFFS	IA	51501	800-621-7788	RANDY
	JIM HAWK TRUCK & TRAILER	3515 ADVENTURELAND DR	ALTOONA	IA	50009	800-992-3355	KEVIN
	JIM HAWK TRUCK & TRAILER	900 WEST 76TH	DAVENPORT	IA	52806	800-433-8468	MARK
	JIM HAWK TRUCK & TRAILER	5200 S LEWIS BLVD	SIOUX CITY	IA	51106	877-994-8343	JON
	LOVELL TRAILER REPAIR	170 W 18TH	WATERLOO	IA	50702	319-235-7777	PAT
	R & R WELDING	2027 IVANHOE AVE	NEW HAMPTON	IA	50659	341-394-3441	BEN
*	EFFINGHAM TRUCK SALES, INC	1701 W FAYETTE AVE	EFFINGHAM	IL	62401	217-342-5000	SHANNON
	JIM HAWK TRUCK & TRAILER	4001 N. MAIN	EAST PEORIA	IL	61611	800-421-6559	ADAM
*	MCBRIDE MACK SALES & SERV	HIGHWAY 13 EAST	CARBONDALE	IL	62902	618-529-3344	MIKE Y
*	R-EQUIPMENT	3693 EAST 6TH RD	UTICA	IL	61373	825-539-3666	KEVIN
*	R-EQUIPMENT	8789 RTE 64	SYCAMORE	IL	60178	815-899-8998	CHRISTY
*	ILLIANA TRUCK PARTS	909 NORTH 25TH ST	TERRE HAUTE	IN	47803	812-232-6453	JERRY
	RUXER TRUCK	123 PLACE RD	JASPER	IN	47546	800-397-8937	RYAN
*	WICHITA TRAILER	335 E 49TH ST NORTH	PARK CITY	KS	67219	316-832-2800	DAVID
*	MCBRIDE MACK SALES & SERV	155 MCBRIDE LANE	PADUCAH	KY	42001	270-442-7545	DAVID
	B & M TRAILER REPAIR	1122 CENTER ST	MANKATO	MN	56003	507-387-6861	DOUG
*	STAR TRAILERS SALES	1120 CENTER ST	MANKATO	MN	56003	507-625-2234	MIKE
	PRARIE TRAILER	14 INDUSTRIAL BLVD	MORRIS	MN	56267	888-495-5897	JOEL
	GATEWAY TRAILER REPAIR	20 KARYDAN CT	ST CHARLES	MO	63301	636-916-5011	RON
	JIM HAWK TRUCK & TRAILER	7500 NE GARDNER AVE	KANSAS CITY	MO	64120	800-224-5045	BRUCE
*	TRUX TRAILER AND TRACTOR	900 N WEST BYPASS	SPRINGFIELD	MO	65802	417-831-4074	MARK
*	DAKOTA COUNTY TRUCKS	9644 74TH ST SE	LAMOURE	ND	58458	701-883-4400	PHILLIP
	NORTHWEST TRUCK & TRAILER	4020 12TH AVE N	FARGO	ND	58102	701-277-0217	RICH
*	WALLWORKS TRUCK CENTER	900 35TH ST. NW BOD 1819	FARGO	ND	58107	800-937-3003	JOHN A
*	DIAMOND T TRUCK & TRAILER	18550 N HWY 77	BEATRICE	NE	68310	402-223-5500	TRACEY
*	ROWLAND TRUCK & EQUIP	5425 CHILDREN'S HOME- BRADFORD RD	GREENVILLE	OH	45331	937-548-4200	AARON or SCOTT
	UNGER FABRICATION	6963 EATON-GETTSBURG	EATON	OH	45320	937-456-2247	CARRIE
	JIM HAWK TRUCK & TRAILER	1401 E BENSON RD	SIOUX FALLS	SD	57104	800-245-3995	MARK
*	PETERSON MOTORS	120 9TH AVE SE	WATERTOWN	SD	57201	605-886-3990	JOHN
	WHITNEY WELDING	207 BROAD STREET	SOUTH SHORE	SD	57263	605-756-4117	MATT
	FLEETCO INC	3003 BRICK CHURCH PIKE	NASHVILLE	TN	37207	615-256-0600	RICKY
	LANDMARK TRAILERS & TRUCK	4801 RUTLEDGE PIKE	KNOXVILLE	TN	37914	865-546-9781	JR PRATT
*	EAU CLAIRE TRUCK & TRAILER	7918 PARTRIDGE ROAD	EAU CLAIRE	WI	54703	715-874-6820	JIM
*	R-EQUIPMENT	2252 MUNZ RD	DODGEVILLE	WI	53533	608-935-9355	BRIAN
*	STUART TANK SALES CORP	940 E GENEVA ST	ELKHORN	WI	53121	262-723-2200	MATT

416 South Academy Street ■ P.O. Box 606 ■ Stoughton, Wisconsin 53589-0606
608/873-2500 ■ FAX: 608/873-2575



Stoughton Trailers, LLC

March 28, 2013

Customer Name

Address

Address

Re: Notice of possible defect
NHTSA ID# 13V-025
Trailer Serial # xxxxxxxxxxxxxxxxxxxx

IMPORTANT SAFETY RECALL NOTICE

Dear Owner of STOUGHTON Brand Grain Hauler Trailer:

This notice is sent to you in accordance with the requirements of the National Traffic and Motor Vehicle Safety Act.

Stoughton Trailers, LLC (Stoughton) has decided that defect(s) which may relate to motor vehicle safety exist(s) in model year 2009 – 2011 STOUGHTON brand AHV model trailers (commonly referred to as “Grain Haulers” or “Ag Hoppers”).

!!IMPORTANT!

- **Your STOUGHTON brand Grain Hauler is being recalled.**
- **You should contact your nearest participating dealer or authorized repair shop to arrange for corrective repairs.**

The defects include one or both of the following:

- A. Possible fatigue cracks found in the suspension subframe channels to hopper crossmember front attachment. While Stoughton is unaware of any instance in which a crack in the suspension subframe front attachment has led to a loss of vehicle control or a crash, if such crack(s) develops and is left uncorrected, Stoughton is not able to rule out the possibility that over the life of the trailer, crack(s) in the suspension

subframe front attachments could lead to loss of vehicle control and/or a crash which could result in serious bodily injury or death, as well as property damage.

- B. Possible fatigue cracks in the lower rails in the area just forward of the landing gear of the trailer. Stoughton is not aware of any instances in which the lower rail has completely fractured, or of any instances in which cracking of the lower rail in this area has lead to a loss of vehicle control or a crash. However, Stoughton is not able to rule out the possibility that over the life of the trailer, cracks developing in the lower rail that are not repaired could lead to a failure of the rail at some point. Such a failure could result in serious bodily injury or death, as well as property damage.

The remedies for these issues are as follows. Stoughton will replace the front attachment of the suspension subframe on all trailers covered by this recall. This will be performed according to Stoughton repair document RD-00040. Stoughton will also replace the structure inside the lower rail in the area just forward of the front hopper if it was produced with an aluminum crossmember next to the hopper. This will be performed according to Stoughton repair document RD-00031.

These upgrades will be provided at no charge to the trailer owners when performed at a participating dealer or authorized repair shop. It will take one to two days to complete the work. Attached is a list of participating dealers and authorized repair shops. Please contact one of them to schedule an appointment to have the work done.

If you no longer own this grain trailer, please contact Stoughton to provide the new owner information. Stoughton will then contact the new owner.

If you are the lessor of this vehicle, please forward a copy of this notice to the lessee within 10 days to comply with federal regulations.

If you have already paid to have your grain trailer repaired to correct the aforementioned conditions, you may be eligible for reimbursement of the charges you paid for that repair. To learn more about what you need to do to obtain reimbursement or if you have any other questions or concerns, please contact Stoughton Customer Service and Warranty Department at:

Tom Daily
Phone: 608-873-2510
Fax: 608-873-2566
Tomd@stoughtontrailers.com

Or Pam Alexander
Phone: 608-873-2580
Fax: 608-873-2566
Pama@stoughtontrailers.com

If after having attempted to take advantage of this recall you believe you have not been able to have your grain trailer remedied without charge and within a reasonable amount of time, you may submit a complaint to the Administrator, National Highway Traffic Safety Administration, 1200 New Jersey Ave., S.E., Washington, D.C. 20590 or call the toll-free vehicle safety hotline at 1-888-327-4236 (TTY: 1-800-424-9153); or go to <http://www.safercar.gov>. We apologize for any inconvenience this safety recall may cause, but your safety is our first concern.

Sincerely,

STOUGHTON TRAILERS, LLC

STOUGHTON TRAILERS RECALL 13V-025 AUTHORIZED REPAIR SHOPS

Dealer	NAME	ADDRESS	CITY	ST	ZIP	PHONE #	CONTACT
*	JIM HAWK TRUCK & TRAILER	3119 S 9TH STREE	COUNCIL BLUFFS	IA	51501	800-621-7788	RANDY
	JIM HAWK TRUCK & TRAILER	3515 ADVENTURELAND DR	ALTOONA	IA	50009	800-992-3355	KEVIN
	JIM HAWK TRUCK & TRAILER	900 WEST 76TH	DAVENPORT	IA	52806	800-433-8468	MARK
	JIM HAWK TRUCK & TRAILER	5200 S LEWIS BLVD	SIOUX CITY	IA	51106	877-994-8343	JON
	LOVELL TRAILER REPAIR	170 W 18TH	WATERLOO	IA	50702	319-235-7777	PAT
	R & R WELDING	2027 IVANHOE AVE	NEW HAMPTON	IA	50659	341-394-3441	BEN
*	EFFINGHAM TRUCK SALES, INC	1701 W FAYETTE AVE	EFFINGHAM	IL	62401	217-342-5000	SHANNON
	JIM HAWK TRUCK & TRAILER	4001 N. MAIN	EAST PEORIA	IL	61611	800-421-6559	ADAM
*	MCBRIDE MACK SALES & SERV	HIGHWAY 13 EAST	CARBONDALE	IL	62902	618-529-3344	MIKE Y
*	R-EQUIPMENT	3693 EAST 6TH RD	UTICA	IL	61373	825-539-3666	KEVIN
*	R-EQUIPMENT	8789 RTE 64	SYCAMORE	IL	60178	815-899-8998	CHRISTY
*	ILLIANA TRUCK PARTS	909 NORTH 25TH ST	TERRE HAUTE	IN	47803	812-232-6453	JERRY
	RUXER TRUCK	123 PLACE RD	JASPER	IN	47546	800-397-8937	RYAN
*	WICHITA TRAILER	335 E 49TH ST NORTH	PARK CITY	KS	67219	316-832-2800	DAVID
*	MCBRIDE MACK SALES & SERV	155 MCBRIDE LANE	PADUCAH	KY	42001	270-442-7545	DAVID
	B & M TRAILER REPAIR	1122 CENTER ST	MANKATO	MN	56003	507-387-6861	DOUG
*	STAR TRAILERS SALES	1120 CENTER ST	MANKATO	MN	56003	507-625-2234	MIKE
	PRARIE TRAILER	14 INDUSTRIAL BLVD	MORRIS	MN	56267	888-495-5897	JOEL
	GATEWAY TRAILER REPAIR	20 KARYDAN CT	ST CHARLES	MO	63301	636-916-5011	RON
	JIM HAWK TRUCK & TRAILER	7500 NE GARDNER AVE	KANSAS CITY	MO	64120	800-224-5045	BRUCE
*	TRUX TRAILER AND TRACTOR	900 N WEST BYPASS	SPRINGFIELD	MO	65802	417-831-4074	MARK
*	DAKOTA COUNTY TRUCKS	9644 74TH ST SE	LAMOURE	ND	58458	701-883-4400	PHILLIP
	NORTHWEST TRUCK & TRAILER	4020 12TH AVE N	FARGO	ND	58102	701-277-0217	RICH
*	WALLWORKS TRUCK CENTER	900 35TH ST. NW BOD 1819	FARGO	ND	58107	800-937-3003	JOHN A
*	DIAMOND T TRUCK & TRAILER	18550 N HWY 77	BEATRICE	NE	68310	402-223-5500	TRACEY
*	ROWLAND TRUCK & EQUIP	5425 CHILDREN'S HOME- BRADFORD RD	GREENVILLE	OH	45331	937-548-4200	AARON or SCOTT
	UNGER FABRICATION	6963 EATON-GETTSBURG	EATON	OH	45320	937-456-2247	CARRIE
	JIM HAWK TRUCK & TRAILER	1401 E BENSON RD	SIOUX FALLS	SD	57104	800-245-3995	MARK
*	PETERSON MOTORS	120 9TH AVE SE	WATERTOWN	SD	57201	605-886-3990	JOHN
	WHITNEY WELDING	207 BROAD STREET	SOUTH SHORE	SD	57263	605-756-4117	MATT
	FLEETCO INC	3003 BRICK CHURCH PIKE	NASHVILLE	TN	37207	615-256-0600	RICKY
	LANDMARK TRAILERS & TRUCK	4801 RUTLEDGE PIKE	KNOXVILLE	TN	37914	865-546-9781	JR PRATT
*	EAU CLAIRE TRUCK & TRAILER	7918 PARTRIDGE ROAD	EAU CLAIRE	WI	54703	715-874-6820	JIM
*	R-EQUIPMENT	2252 MUNZ RD	DODGEVILLE	WI	53533	608-935-9355	BRIAN
*	STUART TANK SALES CORP	940 E GENEVA ST	ELKHORN	WI	53121	262-723-2200	MATT

416 South Academy Street ■ P.O. Box 606 ■ Stoughton, Wisconsin 53589-0606
608/873-2500 ■ FAX: 608/873-2575



Stoughton Trailers, LLC

March 26, 2013

Dealer Name

Address

Address

Re: Notice of Safety Defect
Transport Canada ID# 2013-035
Trailer Serial # xxxxxxxxxxxxxxxxxxxx

SAFETY RECALL NOTICE

To: All STOUGHTON Model AHV Trailer Canadian Dealers and Authorized Repair shops

Stoughton Trailers, LLC (Stoughton) has determined that a defect which relates to motor vehicle safety exists in certain model year 2009-2010 AHV Model trailers (commonly referred to as "Grain Haulers" or "Ag Hoppers"). Accordingly, a recall to address this issue is being initiated effective immediately and as soon as current owners can be notified.

The defects involves possible fatigue cracks in the lower rails of trailers produced from December 17, 2007 – September 24, 2009 (a total of 17 of 638 trailers were imported into Canada). These fatigue cracks may develop in the lower rail in an area just forward of the landing gear of the trailer. Cracks in the lower rail that are not repaired could lead to failure of the rails, loss of vehicle control and/or a crash which could result in serious bodily injury or death, as well as property damage.

Owners of affected trailers will be notified by mail about the recall and will be instructed to bring their trailers to the nearest participating dealership for correction. Attached is a list of participating dealerships. If you are on the list and do not want to be, or if you are not on the list and want to do the repairs, please contact Tom Daily or Pam Alexander at the phone numbers or e-mail addresses provided below.

416 South Academy Street ■ P.O. Box 606 ■ Stoughton, Wisconsin 53589-0606
608/873-2500 ■ FAX: 608/873-2575

The needed corrective action is set forth on the attached Repair Documents RD-00031, Ag Hopper Trailer Coupler to Hopper Structure Upgrade. There is no cost to owners for this recall. You will be reimbursed by Stoughton for your costs in remedying the defects, and you should process completed work as you would warranty claims.

Please be reminded that you must not sell or lease the trailers covered by this notification until this recall has been performed on them.

Your assistance with this recall is very much appreciated. Should you have any questions or concerns, please contact:

Tom Daily
Phone: 608-873-2510
Fax: 608-873-2566
Tomd@stoughtontrailers.com

Or Pam Alexander
Phone: 608-873-2580
Fax: 608-873-2566
Pama@stoughtontrailers.com

Sincerely,

Tom Daily
Customer Service

Enclosures: Customer Notice
Trailer list with serial numbers
Repair document

STOUGHTON TRAILERS RECALL 2013-035 & 2013-036 AUTHORIZED REPAIR SHOPS

Dealer	NAME	ADDRESS	CITY	ST/ PROV	ZIP	PHONE #	CONTACT
*	STAR TRAILERS SALES	1120 CENTER ST	MANKATO	MN	56003	507-625-2234	Mike
	QUALITY TRAILERS	50 ROY ROCHE DRIVE	WINNIPEG	MB	R3C2E6	204-632-5300	Bruice Lutz
	TRAILERS CANADA	5185 FOUNTIAN STREET NORTH	BRESLAU	ON	N0B1M0	800-799-4425	Steve Walda
	NORTHWEST TRUCK & TRAILER	4020 12TH AVE N	FARGO	ND	58102	701-277-0217	Rich

416 South Academy Street ■ P.O. Box 606 ■ Stoughton, Wisconsin 53589-0606
608/873-2500 ■ FAX: 608/873-2575



Stoughton Trailers, LLC

March 26, 2013

Dealer Name

Address

Address

Re: Notice of Safety Defect
Transport Canada ID# 2013-036
Trailer Serial # xxxxxxxxxxxxxxxxxxxx

SAFETY RECALL NOTICE

To: All STOUGHTON Model AHV Trailer Canadian Dealers and Authorized Repair shops

Stoughton Trailers, LLC (Stoughton) has determined that a defect which relates to motor vehicle safety exists in certain model year 2009-2011 AHV Model trailers (commonly referred to as "Grain Haulers" or "Ag Hoppers"). Accordingly, a recall to address this issue is being initiated effective immediately and as soon as current owners can be notified.

The defect involves possible fatigue cracks found in the suspension subframe channels to hopper crossmember front attachment on trailers produced from December 17, 2007 – October 28, 2010 (a total 26 of 1,115 trailers were imported to Canada). Trailers manufactured after that date are equipped with a newly designed suspension subframe front attachment. Cracks in the front attachments that are not repaired could lead to loss of vehicle control and/or a crash which could result in serious bodily injury or death, as well as property damage.

Owners of affected trailers will be notified by mail about the recall and will be instructed to bring their trailers to the nearest participating dealership for correction. Attached is a list of participating dealerships. If you are on the list and do not want to be, or if you are not on the list and want to do the repairs,

please contact Tom Daily or Pam Alexander at the phone numbers or e-mail addresses provided below.

The needed corrective actions are set forth on the attached Repair Documents RD-00040, Ag Hopper Suspension Subframe Front Attachment Upgrade. There is no cost to owners for this recall. You will be reimbursed by Stoughton for your costs in remedying the defects, and you should process completed work as you would warranty claims.

Please be reminded that you must not sell or lease the trailers covered by this notification until this recall has been performed on them.

Your assistance with this recall is very much appreciated. Should you have any questions or concerns, please contact:

Tom Daily
Phone: 608-873-2510
Fax: 608-873-2566
Tomd@stoughtontrailers.com

Or Pam Alexander
Phone: 608-873-2580
Fax: 608-873-2566
Pama@stoughtontrailers.com

Sincerely,

Tom Daily
Customer Service

Enclosures: Customer Notice
Trailer list with serial numbers
Repair document

STOUGHTON TRAILERS RECALL 2013-035 & 2013-036 AUTHORIZED REPAIR SHOPS

Dealer	NAME	ADDRESS	CITY	ST/ PROV	ZIP	PHONE #	CONTACT
*	STAR TRAILERS SALES	1120 CENTER ST	MANKATO	MN	56003	507-625-2234	Mike
	QUALITY TRAILERS	50 ROY ROCHE DRIVE	WINNIPEG	MB	R3C2E6	204-632-5300	Bruice Lutz
	TRAILERS CANADA	5185 FOUNTIAN STREET NORTH	BRESLAU	ON	N0B1M0	800-799-4425	Steve Walda
	NORTHWEST TRUCK & TRAILER	4020 12TH AVE N	FARGO	ND	58102	701-277-0217	Rich

416 South Academy Street ■ P.O. Box 606 ■ Stoughton, Wisconsin 53589-0606
608/873-2500 ■ FAX: 608/873-2575



Stoughton Trailers, LLC

March 26, 2013

Customer Name

Address

Address

Re: Notice of Safety Defect
Transport Canada ID# 2013-035
Trailer Serial # xxxxxxxxxxxxxxxxxxxx

IMPORTANT SAFETY RECALL NOTICE

Dear Owner of STOUGHTON Brand Grain Hauler Trailer:

This notice is sent to you in accordance with the requirements of the *Canada Motor Vehicle Safety Act*.

Stoughton Trailers, LLC (Stoughton) has determined that a defect which relates to motor vehicle safety exists in model year 2009 – 2010 STOUGHTON brand AHV model trailers (commonly referred to as “Grain Haulers” or “Ag Hoppers”).

!IMPORTANT!

- **Your STOUGHTON brand Grain Hauler is being recalled.**
- **You should contact your nearest participating dealer or authorized repair shop to arrange for corrective repairs.**

The defects are possible fatigue cracks in the lower rails in the area just forward of the landing gear of the trailer. If such cracks develop and are left uncorrected, the lower rail could fail and lead to loss of vehicle control and/or a crash which could result in serious bodily injury or death, as well as property damage.

The remedy for this issue is that Stoughton will replace the structure inside the lower rail in the area just forward of the front hopper if it was produced with an

aluminum crossmember next to the hopper. This will be performed according to Stoughton repair document RD-00031.

This upgrade will be provided at no charge to the trailer owner when performed at a participating dealer or authorized repair shop. It will take one to two days to complete the work. Attached is a list of participating dealers and authorized repair shops. Please contact one of them to schedule an appointment to have the work done.

If you no longer own this grain trailer, please contact Stoughton to provide the new owner information. Stoughton will then contact the new owner.

If you are the lessor of this vehicle, please forward a copy of this notice to the lessee within 10 days.

If you have already paid to have your grain trailer repaired to correct the aforementioned conditions, you may be eligible for reimbursement of the charges you paid for that repair. To learn more about what you need to do to obtain reimbursement or if you have any other questions or concerns, please contact Stoughton Customer Service and Warranty Department at:

Tom Daily
Phone: 608-873-2510
Fax: 608-873-2566

Tomd@stoughtontrailers.com

Or Pam Alexander
Phone: 608-873-2580
Fax: 608-873-2566

Pama@stoughtontrailers.com

If after having attempted to take advantage of this recall you believe you have not been able to have your grain trailer remedied without charge and within a reasonable amount of time by the dealer please contact the Stoughton Customer Service representatives listed above.

We apologize for any inconvenience this safety recall may cause, but your safety is our first concern.

Sincerely,

STOUGHTON TRAILERS, LLC

STOUGHTON TRAILERS RECALL 2013-035 & 2013-036 AUTHORIZED REPAIR SHOPS

Dealer	NAME	ADDRESS	CITY	ST/ PROV	ZIP	PHONE #	CONTACT
*	STAR TRAILERS SALES	1120 CENTER ST	MANKATO	MN	56003	507-625-2234	Mike
	QUALITY TRAILERS	50 ROY ROCHE DRIVE	WINNIPEG	MB	R3C2E6	204-632-5300	Bruice Lutz
	TRAILERS CANADA	5185 FOUNTIAN STREET NORTH	BRESLAU	ON	N0B1M0	800-799-4425	Steve Walda
	NORTHWEST TRUCK & TRAILER	4020 12TH AVE N	FARGO	ND	58102	701-277-0217	Rich

416 South Academy Street ■ P.O. Box 606 ■ Stoughton, Wisconsin 53589-0606
608/873-2500 ■ FAX: 608/873-2575



Stoughton Trailers, LLC

March 26, 2013

Customer Name

Address

Address

Re: Notice of Safety Defect
Transport Canada ID# 2013-036
Trailer Serial # xxxxxxxxxxxxxxxxxxxx

IMPORTANT SAFETY RECALL NOTICE

Dear Owner of STOUGHTON Brand Grain Hauler Trailer:

This notice is sent to you in accordance with the requirements of the *Canada Motor Vehicle Safety Act*.

Stoughton Trailers, LLC (Stoughton) has determined that a defect which relates to motor vehicle safety exists in model year 2009 – 2011 STOUGHTON brand AHV model trailers (commonly referred to as “Grain Haulers” or “Ag Hoppers”).

!IMPORTANT!

- **Your STOUGHTON brand Grain Hauler is being recalled.**
- **You should contact your nearest participating dealer or authorized repair shop to arrange for corrective repairs.**

The defects are possible fatigue cracks found in the suspension subframe channels to hopper crossmember front attachment. If such cracks develop and are left uncorrected, they could lead to loss of vehicle control and/or a crash which could result in serious bodily injury or death, as well as property damage.

The remedy for this issue is that Stoughton will replace the front attachment of the suspension subframe on all trailers covered by this recall. This will be performed according to Stoughton repair document RD-00040.

These upgrade will be provided at no charge to the trailer owner when performed at a participating dealer or authorized repair shop. It will take one to two days to complete the work. Attached is a list of participating dealers and authorized repair shops. Please contact one of them to schedule an appointment to have the work done.

If you no longer own this grain trailer, please contact Stoughton to provide the new owner information. Stoughton will then contact the new owner.

If you are the lessor of this vehicle, please forward a copy of this notice to the lessee within 10 days.

If you have already paid to have your grain trailer repaired to correct the aforementioned conditions, you may be eligible for reimbursement of the charges you paid for that repair. To learn more about what you need to do to obtain reimbursement or if you have any other questions or concerns, please contact Stoughton Customer Service and Warranty Department at:

Tom Daily

Phone: 608-873-2510

Fax: 608-873-2566

Tomd@stoughtontrailers.com

Or

Pam Alexander

Phone: 608-873-2580

Fax: 608-873-2566

Pama@stoughtontrailers.com

If after having attempted to take advantage of this recall you believe you have not been able to have your grain trailer remedied without charge and within a reasonable amount of time by the dealer please contact the Stoughton Customer Service representatives listed above.

We apologize for any inconvenience this safety recall may cause, but your safety is our first concern.

Sincerely,

STOUGHTON TRAILERS, LLC

STOUGHTON TRAILERS RECALL 2013-035 & 2013-036 AUTHORIZED REPAIR SHOPS

Dealer	NAME	ADDRESS	CITY	ST/ PROV	ZIP	PHONE#	CONTACT
*	STAR TRAILERS SALES	1120 CENTER ST	MANKATO	MN	56003	507-625-2234	Mike
	QUALITY TRAILERS	50 ROY ROCHE DRIVE	WINNIPEG	MB	R3C2E6	204-632-5300	Bruice Lutz
	TRAILERS CANADA	5185 FOUNTIAN STREET NORTH	BRESLAU	ON	N0B1M0	800-799-4425	Steve Walda
	NORTHWEST TRUCK & TRAILER	4020 12TH AVEN	FARGO	ND	58102	701-277-0217	Rich

416 South Academy Street ■ P.O. Box 606 ■ Stoughton, Wisconsin 53589-0606
608/873-2500 ■ FAX: 608/873-2575

STOUGHTON TRAILERS, LLC
AG HOPPER TRAILER RECALL AND CAMPAIGN COVERAGE - BY VIN
MASTER LIST - RECALL POPULATION
 Last updated 3/18/2013

Note: Check that you have the latest revision level of the repair document(s) to be used before repairing trailers

NTSA Campaign #			13V-025	13V-025	Stoughton Campaign Repairs				
Transport Canada Campaign #			2013-035	2013-036	Stoughton Campaign Repairs				
Stoughton Trailer Repair Document			RD-00031	RD-00040	RD-00032	RD-00041	RD-00037	RD-00033	RD-00035
Cost Code			7030	7040	7033	7041	7031	7034	7035
No. of Trailers Included In Each Repair			638	1115	709	709	477	652	1115
VIN	Model Year	Build Date	Ag Hopper Coupler to Hopper Structure Upgrade	Ag Hopper Subframe Front Attachment Upgrade	Ag Hopper Alum Subframe Bolt Torque	Ag Hopper Alum Subframe Upgrade	Ag Hopper Coupler to Hopper Structure Upgrade	Ag Hopper Top Rail Rivets Upgrade	Hopper Center Bulkhead Upgrade
1DW1A402095078901	MY2009	12/17/07	1	1	1	1		1	1
1DW1A402X95087301	MY2009	12/10/07	1	1	1	1		1	1
1DW1A422795108201	MY2009	04/02/08	1	1	1	1		1	1
1DW1A422995108202	MY2009	04/03/08	1	1	1	1		1	1
1DW1A422095108203	MY2009	04/03/08	1	1	1	1		1	1
1DW1A422295108204	MY2009	04/04/08	1	1	1	1		1	1
1DW1A422495108205	MY2009	04/04/08	1	1	1	1		1	1
1DW1A422695108206	MY2009	04/07/08	1	1	1	1		1	1
1DW1A422895108207	MY2009	04/08/08	1	1	1	1		1	1
1DW1A422X95108208	MY2009	04/08/08	1	1	1	1		1	1
1DW1A422195108209	MY2009	04/09/08	1	1	1	1		1	1
1DW1A422895108210	MY2009	04/09/08	1	1	1	1		1	1
1DW1A422095108301	MY2009	03/17/08	1	1				1	1
1DW1A422295108302	MY2009	03/19/08	1	1				1	1
1DW1A422495108303	MY2009	03/21/08	1	1				1	1
1DW1A422695108304	MY2009	03/24/08	1	1				1	1
1DW1A422895108305	MY2009	03/25/08	1	1				1	1
1DW1A422X95108306	MY2009	03/26/08	1	1				1	1
1DW1A422195108307	MY2009	03/27/08	1	1				1	1
1DW1A422395108308	MY2009	03/28/08	1	1				1	1
1DW1A422595108309	MY2009	03/31/08	1	1				1	1
1DW1A422195108310	MY2009	04/01/08	1	1				1	1
1DW1A402295115401	MY2009	04/21/08	1	1	1	1		1	1
1DW1A402495115402	MY2009	04/22/08	1	1	1	1		1	1
1DW1A402695115403	MY2009	04/22/08	1	1	1	1		1	1
1DW1A402895115404	MY2009	04/23/08	1	1	1	1		1	1
1DW1A402X95115405	MY2009	04/23/08	1	1	1	1		1	1
1DW1A402195115406	MY2009	04/23/08	1	1	1	1		1	1
1DW1A402395115407	MY2009	04/24/08	1	1	1	1		1	1
1DW1A402595115408	MY2009	04/24/08	1	1	1	1		1	1
1DW1A402795115409	MY2009	04/24/08	1	1	1	1		1	1
1DW1A402395115410	MY2009	04/25/08	1	1	1	1		1	1
1DW1A402695115501	MY2009	04/10/08	1	1				1	1
1DW1A402895115502	MY2009	04/10/08	1	1				1	1
1DW1A402X95115503	MY2009	04/11/08	1	1				1	1
1DW1A402195115504	MY2009	04/11/08	1	1				1	1
1DW1A402395115505	MY2009	04/14/08	1	1				1	1
1DW1A402595115506	MY2009	04/14/08	1	1				1	1
1DW1A402795115507	MY2009	04/15/08	1	1				1	1
1DW1A402995115508	MY2009	04/15/08	1	1				1	1
1DW1A402095115509	MY2009	04/16/08	1	1				1	1
1DW1A402795115510	MY2009	04/21/08	1	1				1	1
1DW1A422595119701	MY2009	04/25/08	1	1	1	1		1	1
1DW1A422795119702	MY2009	04/25/08	1	1	1	1		1	1
1DW1A402495123001	MY2009	04/28/08	1	1	1	1		1	1
1DW1A402695123002	MY2009	04/28/08	1	1	1	1		1	1
1DW1A402895123003	MY2009	04/29/08	1	1	1	1		1	1
1DW1A402X95123004	MY2009	04/29/08	1	1	1	1		1	1
1DW1A402195123005	MY2009	04/29/08	1	1	1	1		1	1
1DW1A402395123006	MY2009	04/30/08	1	1	1	1		1	1
1DW1A402595123007	MY2009	04/30/08	1	1	1	1		1	1
1DW1A422X95123601	MY2009	04/28/08	1	1	1	1		1	1
1DW1A402195124901	MY2009	05/19/08	1	1				1	1
1DW1A402395124902	MY2009	05/19/08	1	1				1	1
1DW1A402595124903	MY2009	05/19/08	1	1				1	1
1DW1A402795124904	MY2009	05/20/08	1	1				1	1
1DW1A402995124905	MY2009	05/20/08	1	1				1	1
1DW1A402095124906	MY2009	05/20/08	1	1				1	1
1DW1A402295124907	MY2009	05/21/08	1	1				1	1
1DW1A402495124908	MY2009	05/21/08	1	1				1	1
1DW1A402695124909	MY2009	05/21/08	1	1				1	1
1DW1A402295124910	MY2009	05/22/08	1	1				1	1
1DW1A402495125301	MY2009	05/06/08	1	1				1	1
1DW1A402195125501	MY2009	04/30/08	1	1	1	1		1	1
1DW1A402395125502	MY2009	05/01/08	1	1	1	1		1	1
1DW1A402595125503	MY2009	05/01/08	1	1	1	1		1	1
1DW1A402795125504	MY2009	05/01/08	1	1	1	1		1	1
1DW1A402995125505	MY2009	05/02/08	1	1	1	1		1	1
1DW1A402095125506	MY2009	05/02/08	1	1	1	1		1	1
1DW1A402295125507	MY2009	05/02/08	1	1	1	1		1	1
1DW1A402495125508	MY2009	05/05/08	1	1	1	1		1	1
1DW1A402695125509	MY2009	05/05/08	1	1	1	1		1	1
1DW1A402295125510	MY2009	05/05/08	1	1	1	1		1	1
1DW1A402495125511	MY2009	05/06/08	1	1	1	1		1	1
1DW1A402695125512	MY2009	05/06/08	1	1	1	1		1	1
1DW1A402895125513	MY2009	05/12/08	1	1	1	1		1	1
1DW1A402X95125514	MY2009	05/12/08	1	1	1	1		1	1
1DW1A402195125515	MY2009	05/12/08	1	1	1	1		1	1
1DW1A402395125516	MY2009	05/13/08	1	1	1	1		1	1
1DW1A402595125517	MY2009	05/13/08	1	1	1	1		1	1
1DW1A402795125518	MY2009	05/13/08	1	1	1	1		1	1

Cost Code		7030	7040	7033	7041	7031	7034	7035
No. of Trailers Included In Each Repair		638	1115	709	709	477	652	1115
1DW1A402995125519	MY2009 05/14/08	1		1	1		1	1
1DW1A402595125520	MY2009 05/14/08	1	1	1			1	1
1DW1A402795125521	MY2009 05/14/08	1	1	1	1		1	1
1DW1A402995125522	MY2009 05/15/08	1	1	1	1		1	1
1DW1A402095125523	MY2009 05/15/08	1	1	1	1		1	1
1DW1A402295125524	MY2009 05/15/08	1	1	1	1		1	1
1DW1A402495125525	MY2009 05/16/08	1	1	1	1		1	1
1DW1A402695125526	MY2009 05/16/08	1	1	1	1		1	1
1DW1A402895125527	MY2009 05/16/08	1	1	1	1		1	1
1DW1A402X95125528	MY2009 06/05/08	1		1	1		1	1
1DW1A402195125529	MY2009 06/05/08	1	1	1	1		1	1
1DW1A402895125530	MY2009 06/06/08	1	1	1	1		1	1
1DW1A402X95125531	MY2009 06/06/08	1		1	1		1	1
1DW1A402195125532	MY2009 06/06/08	1	1	1	1		1	1
1DW1A402395125533	MY2009 06/09/08	1	1	1	1		1	1
1DW1A402595125534	MY2009 06/09/08	1	1	1	1		1	1
1DW1A402795125535	MY2009 06/09/08	1	1	1	1		1	1
1DW1A402995125536	MY2009 06/10/08	1	1	1	1		1	1
1DW1A402095125537	MY2009 06/10/08	1	1	1	1		1	1
1DW1A402295125538	MY2009 06/10/08	1	1	1	1		1	1
1DW1A402495125539	MY2009 06/11/08	1	1	1	1		1	1
1DW1A402095125540	MY2009 06/11/08	1	1	1	1		1	1
1DW1A402295125541	MY2009 06/11/08	1	1	1	1		1	1
1DW1A402495125542	MY2009 06/12/08	1	1	1	1		1	1
1DW1A402695125543	MY2009 06/12/08	1	1	1	1		1	1
1DW1A402895125544	MY2009 06/12/08	1	1	1	1		1	1
1DW1A402X95125545	MY2009 06/13/08	1		1	1		1	1
1DW1A402195125546	MY2009 06/13/08	1	1	1	1		1	1
1DW1A402395125547	MY2009 06/13/08	1	1	1	1		1	1
1DW1A402595125548	MY2009 06/16/08	1	1	1	1		1	1
1DW1A402795125549	MY2009 06/16/08	1	1	1	1		1	1
1DW1A402395125550	MY2009 06/16/08	1	1	1	1		1	1
1DW1A402595125551	MY2009 06/17/08	1	1	1	1		1	1
1DW1A402795125552	MY2009 06/17/08	1	1	1	1		1	1
1DW1A402995125553	MY2009 06/17/08	1	1	1	1		1	1
1DW1A402095125554	MY2009 06/18/08	1	1	1	1		1	1
1DW1A402295125555	MY2009 06/18/08	1	1	1	1		1	1
1DW1A402495125556	MY2009 06/18/08	1	1	1	1		1	1
1DW1A402695125557	MY2009 06/19/08	1	1	1	1		1	1
1DW1A402895125558	MY2009 06/19/08	1	1	1	1		1	1
1DW1A402X95125559	MY2009 06/19/08	1	1	1	1		1	1
1DW1A402695125560	MY2009 06/20/08	1	1	1	1		1	1
1DW1A422995125601	MY2009 05/22/08	1	1	1	1		1	1
1DW1A422095125602	MY2009 05/22/08	1	1	1	1		1	1
1DW1A422295125603	MY2009 05/23/08	1	1	1	1		1	1
1DW1A422495125604	MY2009 05/23/08	1	1	1	1		1	1
1DW1A422695125605	MY2009 05/23/08	1	1	1	1		1	1
1DW1A422895125606	MY2009 06/02/08	1	1	1	1		1	1
1DW1A422X95125607	MY2009 06/02/08	1	1	1	1		1	1
1DW1A422195125608	MY2009 06/02/08	1	1	1	1		1	1
1DW1A422395125609	MY2009 06/03/08	1	1	1	1		1	1
1DW1A422X95125610	MY2009 06/03/08	1	1	1	1		1	1
1DW1A422195125611	MY2009 06/03/08	1	1	1	1		1	1
1DW1A422395125612	MY2009 06/04/08	1	1	1	1		1	1
1DW1A422595125613	MY2009 06/04/08	1	1	1	1		1	1
1DW1A422795125614	MY2009 06/04/08	1	1	1	1		1	1
1DW1A422995125615	MY2009 06/05/08	1	1	1	1		1	1
1DW1A402995126301	MY2009 06/20/08	1	1	1	1		1	1
1DW1A402095126302	MY2009 06/20/08	1	1	1	1		1	1
1DW1A422X95126501	MY2009 06/23/08	1	1	1	1		1	1
1DW1A422395126601	MY2009 06/23/08	1	1	1	1		1	1
1DW1A422595126602	MY2009 06/23/08	1	1	1	1		1	1
1DW1A402X95128901	MY2009 06/24/08	1	1	1	1		1	1
1DW1A402195128902	MY2009 06/24/08	1	1	1	1		1	1
1DW1A402395128903	MY2009 06/24/08	1	1	1	1		1	1
1DW1A402595128904	MY2009 06/25/08	1	1	1	1		1	1
1DW1A402795128905	MY2009 06/25/08	1	1	1	1		1	1
1DW1A402995129201	MY2009 07/09/08	1	1	1	1		1	1
1DW1A422895129901	MY2009 06/25/08	1	1	1	1		1	1
1DW1A422X95129902	MY2009 08/28/08	1	1	1	1		1	1
1DW1A402695130001	MY2009 07/07/08	1	1	1	1		1	1
1DW1A402X95131801	MY2009 07/07/08	1	1				1	1
1DW1A402195131802	MY2009 07/08/08	1	1				1	1
1DW1A402395131803	MY2009 07/08/08	1	1				1	1
1DW1A402595131804	MY2009 07/08/08	1	1				1	1
1DW1A402795131805	MY2009 07/09/08	1	1				1	1
1DW1A402395131901	MY2009 07/09/08	1	1	1	1		1	1
1DW1A402595131902	MY2009 07/10/08	1	1	1	1		1	1
1DW1A402795131903	MY2009 07/10/08	1	1	1	1		1	1
1DW1A402995131904	MY2009 07/10/08	1	1	1	1		1	1
1DW1A402095131905	MY2009 07/11/08	1	1	1	1		1	1
1DW1A402295131906	MY2009 07/11/08	1	1	1	1		1	1
1DW1A402495131907	MY2009 07/11/08	1	1	1	1		1	1
1DW1A402695131908	MY2009 07/14/08	1	1	1	1		1	1
1DW1A402895131909	MY2009 07/14/08	1	1	1	1		1	1
1DW1A402495131910	MY2009 07/14/08	1	1	1	1		1	1
1DW1A402695131911	MY2009 07/15/08	1	1	1	1		1	1
1DW1A402895131912	MY2009 07/15/08	1	1	1	1		1	1
1DW1A402X95131913	MY2009 07/15/08	1	1	1	1		1	1
1DW1A402195131914	MY2009 07/16/08	1	1	1	1		1	1
1DW1A402395131915	MY2009 07/16/08	1	1	1	1		1	1
1DW1A402595131916	MY2009 07/16/08	1	1	1	1		1	1
1DW1A402795131917	MY2009 07/17/08	1	1	1	1		1	1
1DW1A402995131918	MY2009 07/17/08	1	1	1	1		1	1
1DW1A402095131919	MY2009 07/17/08	1	1	1	1		1	1

Cost Code		7030	7040	7033	7041	7031	7034	7035
No. of Trailers Included In Each Repair		638	1115	709	709	477	652	1115
1DW1A402795131920	MY2009	07/18/08	1		1		1	1
1DW1A402995131921	MY2009	07/18/08	1	1	1		1	1
1DW1A402095131922	MY2009	07/21/08	1	1	1		1	1
1DW1A402295131923	MY2009	07/21/08	1	1	1		1	1
1DW1A402495131924	MY2009	07/21/08	1	1	1		1	1
1DW1A402695131925	MY2009	07/21/08	1	1	1		1	1
1DW1A402X95132401	MY2009	06/26/08	1	1	1		1	1
1DW1A402195132402	MY2009	06/26/08	1	1	1		1	1
1DW1A402395132403	MY2009	06/26/08	1	1	1		1	1
1DW1A402595132404	MY2009	06/27/08	1	1	1		1	1
1DW1A402795132405	MY2009	07/07/08	1	1	1		1	1
1DW1A402395137701	MY2009	08/18/08	1	1	1		1	1
1DW1A402595137702	MY2009	08/18/08	1	1	1		1	1
1DW1A402795137703	MY2009	08/18/08	1	1	1		1	1
1DW1A402995137704	MY2009	08/19/08	1	1	1		1	1
1DW1A402095137705	MY2009	08/19/08	1	1	1		1	1
1DW1A402295137706	MY2009	08/19/08	1	1	1		1	1
1DW1A402495137707	MY2009	08/19/08	1	1	1		1	1
1DW1A402695137708	MY2009	08/25/08	1	1	1		1	1
1DW1A402895137709	MY2009	08/25/08	1	1	1		1	1
1DW1A402495137710	MY2009	08/25/08	1	1	1		1	1
1DW1A402795137801	MY2009	08/12/08	1	1			1	1
1DW1A402995137802	MY2009	08/12/08	1	1			1	1
1DW1A402095137803	MY2009	08/12/08	1	1			1	1
1DW1A402295137804	MY2009	08/13/08	1	1			1	1
1DW1A402495137805	MY2009	08/13/08	1	1			1	1
1DW1A402695137806	MY2009	08/13/08	1	1			1	1
1DW1A402895137807	MY2009	08/14/08	1	1			1	1
1DW1A402X95137808	MY2009	08/14/08	1	1			1	1
1DW1A402195137809	MY2009	08/14/08	1	1			1	1
1DW1A402895137810	MY2009	08/18/08	1	1			1	1
1DW1A422495137901	MY2009	08/25/08	1	1	1		1	1
1DW1A422695137902	MY2009	08/26/08	1	1	1		1	1
1DW1A422895137903	MY2009	08/26/08	1	1	1		1	1
1DW1A422X95137904	MY2009	08/26/08	1	1	1		1	1
1DW1A422195137905	MY2009	08/26/08	1	1	1		1	1
1DW1A422395137906	MY2009	08/27/08	1	1	1		1	1
1DW1A422595137907	MY2009	08/27/08	1	1	1		1	1
1DW1A422795137908	MY2009	08/27/08	1	1	1		1	1
1DW1A422995137909	MY2009	08/27/08	1	1	1		1	1
1DW1A422595137910	MY2009	08/28/08	1	1	1		1	1
1DW1A402295138001	MY2009	08/01/08	1	1			1	1
1DW1A402495138002	MY2009	08/01/08	1	1			1	1
1DW1A402695138003	MY2009	08/11/08	1	1			1	1
1DW1A402895138004	MY2009	08/11/08	1	1			1	1
1DW1A402X95138005	MY2009	08/11/08	1	1			1	1
1DW1A402695138101	MY2009	07/22/08	1	1	1		1	1
1DW1A402895138102	MY2009	07/22/08	1	1	1		1	1
1DW1A402X95138103	MY2009	07/22/08	1	1	1		1	1
1DW1A402195138104	MY2009	07/23/08	1	1	1		1	1
1DW1A402395138105	MY2009	07/23/08	1	1	1		1	1
1DW1A402X95138201	MY2009	07/30/08	1	1	1		1	1
1DW1A402195138202	MY2009	07/31/08	1	1	1		1	1
1DW1A402395138203	MY2009	07/31/08	1	1	1		1	1
1DW1A402595138204	MY2009	07/31/08	1	1	1		1	1
1DW1A402795138205	MY2009	08/01/08	1	1	1		1	1
1DW1A402395138301	MY2009	07/23/08	1	1	1		1	1
1DW1A402595138302	MY2009	07/24/08	1	1	1		1	1
1DW1A402795138303	MY2009	07/24/08	1	1	1		1	1
1DW1A402995138304	MY2009	07/24/08	1	1	1		1	1
1DW1A402095138305	MY2009	07/25/08	1	1	1		1	1
1DW1A422095138401	MY2009	07/29/08	1	1	1		1	1
1DW1A422295138402	MY2009	07/29/08	1	1	1		1	1
1DW1A422495138403	MY2009	07/29/08	1	1	1		1	1
1DW1A422695138404	MY2009	07/30/08	1	1	1		1	1
1DW1A422895138405	MY2009	07/30/08	1	1	1		1	1
1DW1A422495138501	MY2009	07/25/08	1	1	1		1	1
1DW1A422695138502	MY2009	07/25/08	1	1	1		1	1
1DW1A422895138503	MY2009	07/28/08	1	1	1		1	1
1DW1A422X95138504	MY2009	07/28/08	1	1	1		1	1
1DW1A422195138505	MY2009	07/28/08	1	1	1		1	1
1DW1A402995142501	MY2009	08/28/08	1	1			1	1
1DW1A402095142502	MY2009	09/08/08	1	1			1	1
1DW1A402295142503	MY2009	09/08/08	1	1			1	1
1DW1A402495142504	MY2009	09/08/08	1	1			1	1
1DW1A402695142505	MY2009	09/08/08	1	1			1	1
1DW1A402395142901	MY2009	09/09/08	1	1	1		1	1
1DW1A402595142902	MY2009	09/09/08	1	1	1		1	1
1DW1A402795142903	MY2009	09/09/08	1	1	1		1	1
1DW1A402995142904	MY2009	09/09/08	1	1	1		1	1
1DW1A402095142905	MY2009	09/10/08	1	1	1		1	1
1DW1A402295142906	MY2009	09/10/08	1	1	1		1	1
1DW1A402495142907	MY2009	09/10/08	1	1	1		1	1
1DW1A402695142908	MY2009	09/10/08	1	1	1		1	1
1DW1A402895142909	MY2009	09/11/08	1	1	1		1	1
1DW1A402495142910	MY2009	09/11/08	1	1	1		1	1
1DW1A402695142911	MY2009	09/11/08	1	1	1		1	1
1DW1A402895142912	MY2009	09/11/08	1	1	1		1	1
1DW1A402X95142913	MY2009	09/15/08	1	1	1		1	1
1DW1A402195142914	MY2009	09/15/08	1	1	1		1	1
1DW1A402395142915	MY2009	09/15/08	1	1	1		1	1
1DW1A402595143001	MY2009	09/29/08	1	1	1		1	1
1DW1A402795143002	MY2009	09/30/08	1	1	1		1	1
1DW1A402995143003	MY2009	09/30/08	1	1	1		1	1
1DW1A402095143004	MY2009	09/30/08	1	1	1		1	1

Cost Code		7030	7040	7033	7041	7031	7034	7035
No. of Trailers Included In Each Repair		638	1115	709	709	477	652	1115
1DW1A402295143005	MY2009	09/30/08	1	1			1	1
1DW1A402495143006	MY2009	10/01/08	1	1			1	1
1DW1A402695143007	MY2009	10/01/08	1	1			1	1
1DW1A402895143008	MY2009	10/21/08	1	1			1	1
1DW1A402X95143009	MY2009	10/22/08	1	1			1	1
1DW1A402695143010	MY2009	10/22/08	1	1			1	1
1DW1A402895143011	MY2009	10/22/08	1	1			1	1
1DW1A402X95143012	MY2009	10/22/08	1	1			1	1
1DW1A402195143013	MY2009	10/23/08	1	1			1	1
1DW1A402395143014	MY2009	10/23/08	1	1			1	1
1DW1A402595143015	MY2009	10/23/08	1	1			1	1
1DW1A402995143101	MY2009	09/16/08	1	1	1		1	1
1DW1A402095143102	MY2009	09/16/08	1	1	1		1	1
1DW1A402295143103	MY2009	09/17/08	1	1	1		1	1
1DW1A402495143104	MY2009	09/17/08	1	1	1		1	1
1DW1A402695143105	MY2009	09/17/08	1	1	1		1	1
1DW1A402895143106	MY2009	09/17/08	1	1	1		1	1
1DW1A402X95143107	MY2009	09/18/08	1	1	1		1	1
1DW1A402195143108	MY2009	09/18/08	1	1	1		1	1
1DW1A402395143109	MY2009	09/18/08	1	1	1		1	1
1DW1A402X95143110	MY2009	09/18/08	1	1	1		1	1
1DW1A402295143201	MY2009	09/23/08	1	1			1	1
1DW1A402495143202	MY2009	09/23/08	1	1			1	1
1DW1A402695143203	MY2009	09/23/08	1	1			1	1
1DW1A402895143204	MY2009	09/24/08	1	1			1	1
1DW1A402X95143205	MY2009	09/24/08	1	1			1	1
1DW1A422X95143301	MY2009	10/02/08	1	1			1	1
1DW1A422195143302	MY2009	10/02/08	1	1			1	1
1DW1A422395143303	MY2009	10/06/08	1	1			1	1
1DW1A422595143304	MY2009	10/06/08	1	1			1	1
1DW1A422795143305	MY2009	10/06/08	1	1			1	1
1DW1A422995143306	MY2009	10/09/08	1	1			1	1
1DW1A422095143307	MY2009	10/20/08	1	1			1	1
1DW1A422295143308	MY2009	10/23/08	1	1			1	1
1DW1A422495143309	MY2009	10/27/08	1	1			1	1
1DW1A422095143310	MY2009	10/27/08	1	1			1	1
1DW1A422395143401	MY2009	09/25/08	1	1			1	1
1DW1A422595143402	MY2009	09/25/08	1	1			1	1
1DW1A422795143403	MY2009	10/07/08	1	1			1	1
1DW1A422995143404	MY2009	10/07/08	1	1			1	1
1DW1A422095143405	MY2009	10/07/08	1	1			1	1
1DW1A422395144001	MY2009	09/15/08	1	1	1		1	1
1DW1A402495144401	MY2009	09/16/08	1	1			1	1
1DW1A422195144501	MY2009	09/16/08	1	1	1		1	1
1DW1A422195145101	MY2009	08/28/08	1	1	1		1	1
1DW1A422595147501	MY2009	09/24/08	1	1			1	1
1DW1A402895148001	MY2009	09/22/08	1	1			1	1
1DW1A402X95148002	MY2009	09/22/08	1	1			1	1
1DW1A402195148003	MY2009	09/22/08	1	1			1	1
1DW1A402395148004	MY2009	09/22/08	1	1			1	1
1DW1A402595148005	MY2009	09/23/08	1	1			1	1
1DW1A402795148006	MY2009	10/08/08	1	1			1	1
1DW1A402995148007	MY2009	10/08/08	1	1			1	1
1DW1A402095148008	MY2009	10/09/08	1	1			1	1
1DW1A402295148009	MY2009	10/09/08	1	1			1	1
1DW1A402995148010	MY2009	10/09/08	1	1			1	1
1DW1A402795149401	MY2009	09/24/08	1	1			1	1
1DW1A422495152401	MY2009	10/01/08	1	1			1	1
1DW1A422695152402	MY2009	10/02/08	1	1			1	1
1DW1A422895152403	MY2009	10/02/08	1	1			1	1
1DW1A402995153501	MY2009	10/06/08	1	1	1		1	1
1DW1A402X95156701	MY2009	09/25/08	1	1	1		1	1
1DW1A402195156702	MY2009	09/25/08	1	1	1		1	1
1DW1A402395156703	MY2009	09/29/08	1	1	1		1	1
1DW1A402595156704	MY2009	09/29/08	1	1	1		1	1
1DW1A402795156705	MY2009	09/29/08	1	1	1		1	1
1DW1A402995156706	MY2009	10/07/08	1	1	1		1	1
1DW1A402095156707	MY2009	10/08/08	1	1	1		1	1
1DW1A402295156708	MY2009	10/08/08	1	1	1		1	1
1DW1A402495156709	MY2009	10/20/08	1	1	1		1	1
1DW1A402095156710	MY2009	10/20/08	1	1	1		1	1
1DW1A402295156711	MY2009	10/20/08	1	1	1		1	1
1DW1A402495156712	MY2009	10/21/08	1	1	1		1	1
1DW1A402695156713	MY2009	10/21/08	1	1	1		1	1
1DW1A402895156714	MY2009	10/21/08	1	1	1		1	1
1DW1A402X95156715	MY2009	10/27/08	1	1	1		1	1
1DW1A422395160201	MY2009	10/27/08	1	1	1		1	1
1DW1A402795161001	MY2009	10/28/08	1	1	1		1	1
1DW1A402995161002	MY2009	10/28/08	1	1	1		1	1
1DW1A402095161003	MY2009	10/28/08	1	1	1		1	1
1DW1A402X95162501	MY2009	10/30/08	1	1	1		1	1
1DW1A402195162502	MY2009	10/30/08	1	1	1		1	1
1DW1A402795162701	MY2009	10/28/08	1	1	1		1	1
1DW1A402995162702	MY2009	10/29/08	1	1	1		1	1
1DW1A402095162703	MY2009	10/29/08	1	1	1		1	1
1DW1A402295162704	MY2009	10/29/08	1	1	1		1	1
1DW1A402495162705	MY2009	10/29/08	1	1	1		1	1
1DW1A402695162706	MY2009	10/30/08	1	1	1		1	1
1DW1A402895162707	MY2009	10/30/08	1	1	1		1	1
1DW1A402X95162708	MY2009	10/30/08	1	1	1		1	1
1DW1A402195162709	MY2009	11/06/08	1	1	1		1	1
1DW1A402895162710	MY2009	11/06/08	1	1	1		1	1
1DW1A402X95162711	MY2009	11/10/08	1	1	1		1	1
1DW1A402195162712	MY2009	11/10/08	1	1	1		1	1
1DW1A402395162713	MY2009	11/10/08	1	1	1		1	1

Cost Code		7030	7040	7033	7041	7031	7034	7035
No. of Trailers Included In Each Repair		638	1115	709	709	477	652	1115
1DW1A402595162714	MY2009	11/10/08	1		1		1	1
1DW1A402795162715	MY2009	11/10/08	1		1		1	1
1DW1A402095162801	MY2009	11/03/08	1		1		1	1
1DW1A402295162802	MY2009	11/03/08	1		1		1	1
1DW1A402495162803	MY2009	11/03/08	1		1		1	1
1DW1A402695162804	MY2009	11/03/08	1		1		1	1
1DW1A402895162805	MY2009	11/04/08	1		1		1	1
1DW1A422895162901	MY2009	11/05/08	1		1		1	1
1DW1A422X95162902	MY2009	11/05/08	1		1		1	1
1DW1A422195162903	MY2009	11/05/08	1		1		1	1
1DW1A422395162904	MY2009	11/06/08	1		1		1	1
1DW1A422595162905	MY2009	11/06/08	1		1		1	1
1DW1A422X95163001	MY2009	11/04/08	1		1		1	1
1DW1A422195163002	MY2009	11/04/08	1		1		1	1
1DW1A422395163003	MY2009	11/04/08	1		1		1	1
1DW1A422595163004	MY2009	11/04/08	1		1		1	1
1DW1A422795163005	MY2009	11/05/08	1		1		1	1
1DW1A3429A5163101	MY2009	12/15/08	1				1	1
1DW1A422795163201	MY2009	10/28/08	1				1	1
1DW1A402795163301	MY2009	11/11/08	1				1	1
1DW1A402095163401	MY2009	11/11/08	1				1	1
1DW1A42295164501	MY2009	11/12/08	1		1		1	1
1DW1A422695164601	MY2009	11/12/08	1		1		1	1
1DW1A422X95164701	MY2009	11/13/08	1		1		1	1
1DW1A422795164901	MY2009	11/13/08	1		1		1	1
1DW1A422995165001	MY2009	11/13/08	1		1		1	1
1DW1A402995165101	MY2009	11/11/08	1				1	1
1DW1A402095165102	MY2009	11/11/08	1				1	1
1DW1A402295165103	MY2009	11/12/08	1				1	1
1DW1A402495165104	MY2009	11/12/08	1				1	1
1DW1A422495166301	MY2009	11/13/08	1				1	1
1DW1A422695166302	MY2009	11/17/08	1				1	1
1DW1A422895166303	MY2009	11/17/08	1				1	1
1DW1A422895166401	MY2009	11/17/08	1				1	1
1DW1A402195166601	MY2009	11/18/08	1				1	1
1DW1A402395166602	MY2009	11/18/08	1				1	1
1DW1A422995166701	MY2009	11/17/08	1				1	1
1DW1A422095166702	MY2009	11/18/08	1				1	1
1DW1A402395167801	MY2009	11/18/08	1				1	1
1DW1A402595167802	MY2009	11/18/08	1				1	1
1DW1A402795167803	MY2009	11/19/08	1				1	1
1DW1A402995167804	MY2009	11/19/08	1				1	1
1DW1A402095167805	MY2009	11/19/08	1				1	1
1DW1A422095167901	MY2009	11/19/08	1				1	1
1DW1A422295167902	MY2009	11/20/08	1				1	1
1DW1A422495167903	MY2009	11/20/08	1				1	1
1DW1A422695167904	MY2009	11/20/08	1				1	1
1DW1A422895167905	MY2009	11/20/08	1				1	1
1DW1A402995168001	MY2009	11/20/08	1		1		1	1
1DW1A402095168002	MY2009	12/01/08	1		1		1	1
1DW1A402395168401	MY2009	12/01/08	1				1	1
1DW1A402595168402	MY2009	12/01/08	1				1	1
1DW1A402795168403	MY2009	12/01/08	1				1	1
1DW1A402995168404	MY2009	12/01/08	1				1	1
1DW1A402095168405	MY2009	12/02/08	1				1	1
1DW1A402295168406	MY2009	12/02/08	1				1	1
1DW1A402495168407	MY2009	12/02/08	1				1	1
1DW1A402795168501	MY2009	12/02/08	1				1	1
1DW1A402995168502	MY2009	12/03/08	1				1	1
1DW1A402095168503	MY2009	12/03/08	1				1	1
1DW1A402295168504	MY2009	12/03/08	1				1	1
1DW1A402495168505	MY2009	12/03/08	1				1	1
1DW1A402695168506	MY2009	12/03/08	1				1	1
1DW1A402895168507	MY2009	12/04/08	1				1	1
1DW1A402X95168508	MY2009	12/04/08	1				1	1
1DW1A402195168509	MY2009	12/04/08	1				1	1
1DW1A402895168510	MY2009	12/04/08	1				1	1
1DW1A422895169301	MY2009	12/08/08	1				1	1
1DW1A402295169801	MY2009	12/08/08	1		1		1	1
1DW1A402495169802	MY2009	12/08/08	1		1		1	1
1DW1A402695169803	MY2009	12/08/08	1		1		1	1
1DW1A402895169804	MY2009	12/08/08	1		1		1	1
1DW1A402X95169805	MY2009	12/09/08	1		1		1	1
1DW1A402195169806	MY2009	12/09/08	1		1		1	1
1DW1A402395169807	MY2009	12/09/08	1		1		1	1
1DW1A402595169808	MY2009	12/09/08	1		1		1	1
1DW1A402795169809	MY2009	12/10/08	1		1		1	1
1DW1A402395169810	MY2009	12/10/08	1		1		1	1
1DW1A402595169811	MY2009	12/10/08	1		1		1	1
1DW1A402795169812	MY2009	12/10/08	1		1		1	1
1DW1A402995169813	MY2009	12/10/08	1		1		1	1
1DW1A402095169814	MY2009	12/11/08	1		1		1	1
1DW1A402295169815	MY2009	12/11/08	1		1		1	1
1DW1A402495169816	MY2009	12/11/08	1		1		1	1
1DW1A402695169817	MY2009	12/11/08	1		1		1	1
1DW1A402895169818	MY2009	12/15/08	1		1		1	1
1DW1A402X95169819	MY2009	12/15/08	1		1		1	1
1DW1A402695169820	MY2009	12/15/08	1		1		1	1
1DW1A402895169821	MY2009	12/15/08	1		1		1	1
1DW1A402X95169822	MY2009	12/16/08	1		1		1	1
1DW1A402195169823	MY2009	12/16/08	1		1		1	1
1DW1A402395169824	MY2009	12/16/08	1		1		1	1
1DW1A402595169825	MY2009	12/16/08	1		1		1	1
1DW1A402795169826	MY2009	12/17/08	1		1		1	1
1DW1A402995169827	MY2009	12/17/08	1		1		1	1

Cost Code		7030	7040	7033	7041	7031	7034	7035
No. of Trailers Included In Each Repair		638	1115	709	709	477	652	1115
1DW1A402095169828	MY2009	12/17/08	1	1	1	1	1	1
1DW1A402295169829	MY2009	12/17/08	1	1	1	1	1	1
1DW1A402995169830	MY2009	12/17/08	1	1	1	1	1	1
1DW1A402095169831	MY2009	12/18/08	1	1	1	1	1	1
1DW1A402295169832	MY2009	12/18/08	1	1	1	1	1	1
1DW1A402495169833	MY2009	12/18/08	1	1	1	1	1	1
1DW1A402695169834	MY2009	12/18/08	1	1	1	1	1	1
1DW1A402895169835	MY2009	01/05/09	1	1	1	1	1	1
1DW1A4226AS171701	MY2009	01/19/09	1	1	1	1	1	1
1DW1A402795172001	MY2009	01/05/09	1	1	1	1	1	1
1DW1A402995172002	MY2009	01/05/09	1	1	1	1	1	1
1DW1A402095172003	MY2009	01/05/09	1	1	1	1	1	1
1DW1A402295172004	MY2009	01/06/09	1	1	1	1	1	1
1DW1A402495172005	MY2009	01/06/09	1	1	1	1	1	1
1DW1A402695172006	MY2009	01/06/09	1	1	1	1	1	1
1DW1A402895172007	MY2009	01/06/09	1	1	1	1	1	1
1DW1A402X95172008	MY2009	01/07/09	1	1	1	1	1	1
1DW1A402195172009	MY2009	01/07/09	1	1	1	1	1	1
1DW1A402895172010	MY2009	01/07/09	1	1	1	1	1	1
1DW1A402X95172011	MY2009	01/08/09	1	1	1	1	1	1
1DW1A402195172012	MY2009	01/08/09	1	1	1	1	1	1
1DW1A402395172013	MY2009	01/08/09	1	1	1	1	1	1
1DW1A402595172014	MY2009	01/08/09	1	1	1	1	1	1
1DW1A402795172015	MY2009	01/12/09	1	1	1	1	1	1
1DW1A402995172016	MY2009	01/12/09	1	1	1	1	1	1
1DW1A402095172017	MY2009	01/12/09	1	1	1	1	1	1
1DW1A402295172018	MY2009	01/13/09	1	1	1	1	1	1
1DW1A402495172019	MY2009	01/13/09	1	1	1	1	1	1
1DW1A402095172020	MY2009	01/19/09	1	1	1	1	1	1
1DW1A402295172021	MY2009	01/20/09	1	1	1	1	1	1
1DW1A402495172022	MY2009	01/20/09	1	1	1	1	1	1
1DW1A402695172023	MY2009	01/20/09	1	1	1	1	1	1
1DW1A402895172024	MY2009	01/21/09	1	1	1	1	1	1
1DW1A402X95172025	MY2009	01/21/09	1	1	1	1	1	1
1DW1A402195172026	MY2009	01/22/09	1	1	1	1	1	1
1DW1A402395172027	MY2009	01/22/09	1	1	1	1	1	1
1DW1A402595172028	MY2009	02/02/09	1	1	1	1	1	1
1DW1A402795172029	MY2009	02/02/09	1	1	1	1	1	1
1DW1A402395172030	MY2009	02/02/09	1	1	1	1	1	1
1DW1A402595172031	MY2009	02/03/09	1	1	1	1	1	1
1DW1A402795172032	MY2009	02/03/09	1	1	1	1	1	1
1DW1A402995172033	MY2009	02/04/09	1	1	1	1	1	1
1DW1A402095172034	MY2009	02/04/09	1	1	1	1	1	1
1DW1A402295172035	MY2009	02/05/09	1	1	1	1	1	1
1DW1A402495172036	MY2009	02/05/09	1	1	1	1	1	1
1DW1A4020AS172801	MY2009	02/09/09	1	1	1	1	1	1
1DW1A402195174701	MY2009	02/09/09	1	1	1	1	1	1
1DW1A402395174702	MY2009	02/09/09	1	1	1	1	1	1
1DW1A402595174703	MY2009	02/10/09	1	1	1	1	1	1
1DW1A402795174704	MY2009	02/10/09	1	1	1	1	1	1
1DW1A402995174705	MY2009	02/11/09	1	1	1	1	1	1
1DW1A402095174706	MY2009	02/11/09	1	1	1	1	1	1
1DW1A402295174707	MY2009	02/12/09	1	1	1	1	1	1
1DW1A402495174708	MY2009	02/12/09	1	1	1	1	1	1
1DW1A402695174709	MY2009	02/16/09	1	1	1	1	1	1
1DW1A402295174710	MY2009	02/16/09	1	1	1	1	1	1
1DW1A402995175501	MY2009	02/17/09	1	1	1	1	1	1
1DW1A402095175502	MY2009	02/17/09	1	1	1	1	1	1
1DW1A402295175503	MY2009	02/18/09	1	1	1	1	1	1
1DW1A402495175504	MY2009	02/18/09	1	1	1	1	1	1
1DW1A402695175505	MY2009	02/18/09	1	1	1	1	1	1
1DW1A402895175506	MY2009	02/19/09	1	1	1	1	1	1
1DW1A402X95175507	MY2009	02/19/09	1	1	1	1	1	1
1DW1A402195175508	MY2009	02/23/09	1	1	1	1	1	1
1DW1A402395175509	MY2009	02/23/09	1	1	1	1	1	1
1DW1A402X95175510	MY2009	02/24/09	1	1	1	1	1	1
1DW1A402195175511	MY2009	02/24/09	1	1	1	1	1	1
1DW1A402395175512	MY2009	02/25/09	1	1	1	1	1	1
1DW1A402595175513	MY2009	02/25/09	1	1	1	1	1	1
1DW1A402795175514	MY2009	02/26/09	1	1	1	1	1	1
1DW1A402995175515	MY2009	02/26/09	1	1	1	1	1	1
1DW1A402095175516	MY2009	03/02/09	1	1	1	1	1	1
1DW1A402295175517	MY2009	03/02/09	1	1	1	1	1	1
1DW1A402495175518	MY2009	03/03/09	1	1	1	1	1	1
1DW1A402695175519	MY2009	03/03/09	1	1	1	1	1	1
1DW1A402XAS176001	MY2010	03/18/09	1	1	1	1	1	1
1DW1A4023AS176101	MY2010	03/11/09	1	1	1	1	1	1
1DW1A4025AS176102	MY2010	03/12/09	1	1	1	1	1	1
1DW1A4027AS176103	MY2010	03/12/09	1	1	1	1	1	1
1DW1A4029AS176104	MY2010	03/12/09	1	1	1	1	1	1
1DW1A4020AS176105	MY2010	03/16/09	1	1	1	1	1	1
1DW1A4022AS176106	MY2010	03/16/09	1	1	1	1	1	1
1DW1A4024AS176107	MY2010	03/26/09	1	1	1	1	1	1
1DW1A4026AS176108	MY2010	04/13/09	1	1	1	1	1	1
1DW1A4028AS176109	MY2010	04/13/09	1	1	1	1	1	1
1DW1A4024AS176110	MY2010	04/14/09	1	1	1	1	1	1
1DW1A4027AS176201	MY2010	03/17/09	1	1	1	1	1	1
1DW1A4029AS176202	MY2010	03/17/09	1	1	1	1	1	1
1DW1A4020AS176203	MY2010	03/18/09	1	1	1	1	1	1
1DW1A4022AS176204	MY2010	04/14/09	1	1	1	1	1	1
1DW1A4024AS176205	MY2010	04/15/09	1	1	1	1	1	1
1DW1A4224AS176301	MY2010	04/15/09	1	1	1	1	1	1
1DW1A4226AS176302	MY2010	04/16/09	1	1	1	1	1	1
1DW1A4228AS176401	MY2010	04/16/09	1	1	1	1	1	1
1DW1A3422AS176501	MY2010	03/19/09	1	1	1	1	1	1

Cost Code		7030	7040	7033	7041	7031	7034	7035
No. of Trailers Included In Each Repair		638	1115	709	709	477	652	1115
1DW1A3424AS176502	MY2010	03/19/09	1	1			1	1
1DW1A3426AS176503	MY2010	03/19/09	1	1			1	1
1DW1A3428AS176504	MY2010	03/23/09	1	1			1	1
1DW1A342XAS176505	MY2010	03/23/09	1	1			1	1
1DW1A3421AS176506	MY2010	03/24/09	1	1			1	1
1DW1A3423AS176507	MY2010	03/24/09	1	1			1	1
1DW1A3425AS176508	MY2010	03/25/09	1	1			1	1
1DW1A3427AS176509	MY2010	03/25/09	1	1			1	1
1DW1A3423AS176510	MY2010	03/26/09	1	1			1	1
1DW1A3426AS176601	MY2010	03/04/09	1	1	1	1	1	1
1DW1A3428AS176602	MY2010	03/05/09	1	1	1	1	1	1
1DW1A342XAS176603	MY2010	03/05/09	1	1	1	1	1	1
1DW1A3421AS176604	MY2010	03/05/09	1	1	1	1	1	1
1DW1A3423AS176605	MY2010	03/05/09	1	1	1	1	1	1
1DW1A3425AS176606	MY2010	03/09/09	1	1	1	1	1	1
1DW1A3427AS176607	MY2010	03/09/09	1	1	1	1	1	1
1DW1A3429AS176608	MY2010	03/10/09	1	1	1	1	1	1
1DW1A3420AS176609	MY2010	03/10/09	1	1	1	1	1	1
1DW1A3427AS176610	MY2010	03/11/09	1	1	1	1	1	1
1DW1A4021AS179501	MY2010	04/23/09	1	1			1	1
1DW1A4023AS179502	MY2010	04/23/09	1	1			1	1
1DW1A4025AS179601	MY2010	04/22/09	1	1			1	1
1DW1A4027AS179602	MY2010	04/22/09	1	1			1	1
1DW1A4022AS179801	MY2010	04/27/09	1	1	1	1	1	1
1DW1A4225AS180101	MY2010	04/20/09	1	1	1	1	1	1
1DW1A4226AS180401	MY2010	04/21/09	1	1			1	1
1DW1A422XAS180501	MY2010	04/21/09	1	1			1	1
1DW1A4022AS181001	MY2010	04/27/09	1	1			1	1
1DW1A4025AS184801	MY2010	04/28/09	1	1			1	1
1DW1A4027AS184802	MY2010	04/28/09	1	1			1	1
1DW1A4029AS184803	MY2010	04/29/09	1	1			1	1
1DW1A4020AS184804	MY2010	04/29/09	1	1			1	1
1DW1A4022AS184805	MY2010	04/30/09	1	1			1	1
1DW1A4024AS184806	MY2010	04/30/09	1	1			1	1
1DW1A4029AS184901	MY2010	04/20/09	1	1	1	1	1	1
1DW1A4020AS184902	MY2010	04/20/09	1	1	1	1	1	1
1DW1A4023AS186501	MY2010	05/11/09	1	1	1	1	1	1
1DW1A4025AS186502	MY2010	05/11/09	1	1	1	1	1	1
1DW1A4027AS186503	MY2010	05/11/09	1	1	1	1	1	1
1DW1A4027AS186601	MY2010	05/14/09	1	1	1	1	1	1
1DW1A4020AS187301	MY2010	05/20/09	1	1	1	1	1	1
1DW1A4028AS188101	MY2010	05/12/09	1	1	1	1	1	1
1DW1A402XAS188102	MY2010	05/12/09	1	1	1	1	1	1
1DW1A4021AS188103	MY2010	05/13/09	1	1	1	1	1	1
1DW1A4023AS188104	MY2010	05/13/09	1	1	1	1	1	1
1DW1A4025AS188105	MY2010	05/14/09	1	1	1	1	1	1
1DW1A4222AS188401	MY2010	06/02/09	1	1	1	1	1	1
1DW1A4224AS188402	MY2010	06/03/09	1	1	1	1	1	1
1DW1A4226AS188403	MY2010	06/04/09	1	1	1	1	1	1
1DW1A4226AS188501	MY2010	06/08/09	1	1	1	1	1	1
1DW1A4228AS188502	MY2010	06/09/09	1	1	1	1	1	1
1DW1A422XAS188601	MY2010	06/10/09	1	1	1	1	1	1
1DW1A402XAS188701	MY2010	05/21/09	1	1	1	1	1	1
1DW1A4021AS188702	MY2010	06/01/09	1	1	1	1	1	1
1DW1A4023AS188801	MY2010	05/18/09	1	1	1	1	1	1
1DW1A4025AS188802	MY2010	05/19/09	1	1	1	1	1	1
1DW1A4028AS189801	MY2010	06/11/09	1	1	1	1	1	1
1DW1A4029AS190701	MY2010	07/29/09	1	1	1	1	1	1
1DW1A4023AS191701	MY2010	07/30/09	1	1	1	1	1	1
1DW1A4025AS191702	MY2010	08/03/09	1	1	1	1	1	1
1DW1A4027AS192401	MY2010	06/15/09	1	1	1	1	1	1
1DW1A4029AS192402	MY2010	07/27/09	1	1	1	1	1	1
1DW1A4020AS192403	MY2010	07/28/09	1	1	1	1	1	1
1DW1A4022AS192404	MY2010	08/04/09	1	1	1	1	1	1
1DW1A4024AS192405	MY2010	08/05/09	1	1	1	1	1	1
1DW1A4024AS192601	MY2010	08/12/09	1	1	1	1	1	1
1DW1A4029AS194201	MY2010	08/10/09	1	1	1	1	1	1
1DW1A4020AS194202	MY2010	08/11/09	1	1	1	1	1	1
1DW1A4022AS194203	MY2010	08/17/09	1	1	1	1	1	1
1DW1A4024AS194204	MY2010	08/18/09	1	1	1	1	1	1
1DW1A4026AS194205	MY2010	08/19/09	1	1	1	1	1	1
1DW1A4028AS194206	MY2010	08/25/09	1	1	1	1	1	1
1DW1A402XAS194207	MY2010	08/26/09	1	1	1	1	1	1
1DW1A4023AS194601	MY2010	08/24/09	1	1	1	1	1	1
1DW1A4025AS196401	MY2010	08/31/09	1	1	1	1	1	1
1DW1A4021AS200301	MY2010	09/02/09	1	1	1	1	1	1
1DW1A4026AS200701	MY2010	09/17/09	1	1	1	1	1	1
1DW1A402XAS200801	MY2010	09/10/09	1	1	1	1	1	1
1DW1A4023AS200901	MY2010	09/08/09	1	1	1	1	1	1
1DW1A4027AS201601	MY2010	09/22/09	1	1	1	1	1	1
1DW1A4227AS202101	MY2010	09/15/09	1	1	1	1	1	1
1DW1A4025AS203301	MY2010	09/24/09	1	1	1	1	1	1
1DW1A4021AS204901	MY2010	09/29/09	1	1	1	1	1	1
1DW1A4221AS205401	MY2010	10/01/09	1	1	1	1	1	1
1DW1A3421AS206801	MY2010	10/05/09	1	1	1	1	1	1
1DW1A3423AS206802	MY2010	10/06/09	1	1	1	1	1	1
1DW1A3425AS206803	MY2010	10/08/09	1	1	1	1	1	1
1DW1A3425AS207501	MY2010	10/12/09	1	1	1	1	1	1
1DW1A4024AS207601	MY2010	10/13/09	1	1	1	1	1	1
1DW1A4028AS207701	MY2010	10/14/09	1	1	1	1	1	1
1DW1A402XAS208901	MY2010	10/19/09	1	1	1	1	1	1
1DW1A4228AS211101	MY2010	10/28/09	1	1	1	1	1	1
1DW1A4022AS211601	MY2010	10/20/09	1	1	1	1	1	1
1DW1A4026AS211701	MY2010	10/21/09	1	1	1	1	1	1
1DW1A3428AS212501	MY2010	10/26/09	1	1	1	1	1	1

Cost Code		7030	7040	7033	7041	7031	7034	7035
No. of Trailers Included In Each Repair		638	1115	709	709	477	652	1115
1DW1A402XAS213001	MY2010	10/27/09		1	1	1	1	1
1DW1A4025AS213701	MY2010	11/02/09	1	1	1	1	1	1
1DW1A4027AS213702	MY2010	11/03/09	1	1	1	1	1	1
1DW1A4022AS214501	MY2010	11/04/09	1	1	1	1	1	1
1DW1A4024AS214502	MY2010	11/09/09	1	1	1	1	1	1
1DW1A4026AS214503	MY2010	11/10/09	1	1	1	1	1	1
1DW1A402XAS214701	MY2010	11/11/09	1	1	1	1	1	1
1DW1A4021AS214702	MY2010	11/16/09	1	1	1	1	1	1
1DW1A4023AS214703	MY2010	11/17/09	1	1	1	1	1	1
1DW1A4025AS214704	MY2010	11/18/09	1	1	1	1	1	1
1DW1A4025BS214901	MY2011	01/11/10	1	1	1	1	1	1
1DW1A4029AS215001	MY2010	12/01/09	1			1	1	1
1DW1A4022AS215101	MY2010	11/30/09	1			1	1	1
1DW1A4022BS218601	MY2011	01/12/10	1	1	1	1	1	1
1DW1A4024BS218602	MY2011	01/13/10	1	1	1	1	1	1
1DW1A4026BS218701	MY2011	01/18/10	1	1	1	1	1	1
1DW1A4028BS218702	MY2011	01/18/10	1	1	1	1	1	1
1DW1A3424BS218801	MY2011	01/20/10	1			1	1	1
1DW1A3428BS218901	MY2011	01/19/10	1			1	1	1
1DW1A342XBS218902	MY2011	03/01/10	1			1	1	1
1DW1A3423BS221401	MY2011	04/05/10	1			1	1	1
1DW1A3425BS221402	MY2011	04/06/10	1			1	1	1
1DW1A4225BS222901	MY2011	01/25/10	1	1	1	1	1	1
1DW1A4026BS223901	MY2011	01/25/10	1	1	1	1	1	1
1DW1A4028BS223902	MY2011	01/26/10	1	1	1	1	1	1
1DW1A4028BS224001	MY2011	02/02/10	1			1	1	1
1DW1A402XBS224002	MY2011	02/03/10	1			1	1	1
1DW1A4021BS224101	MY2011	02/01/10	1			1	1	1
1DW1A4023BS224102	MY2011	02/02/10	1			1	1	1
1DW1A4025BS224201	MY2011	01/26/10	1			1	1	1
1DW1A4027BS224202	MY2011	01/27/10	1			1	1	1
1DW1A4029BS224301	MY2011	01/28/10	1			1	1	1
1DW1A4020BS224302	MY2011	02/01/10	1			1	1	1
1DW1A4022BS224401	MY2011	01/27/10	1			1	1	1
1DW1A4024BS224402	MY2011	01/28/10	1			1	1	1
1DW1A402XBS224601	MY2011	02/04/10	1	1	1	1	1	1
1DW1A4021BS224602	MY2011	02/08/10	1	1	1	1	1	1
1DW1A4220BS224801	MY2011	02/08/10	1	1	1	1	1	1
1DW1A3427BS225001	MY2011	01/21/10	1	1	1	1	1	1
1DW1A4023BS225301	MY2011	03/15/10	1	1	1	1	1	1
1DW1A4024BS225601	MY2011	02/03/10	1			1	1	1
1DW1A4221BS225701	MY2011	02/04/10	1			1	1	1
1DW1A4021BS225801	MY2011	02/10/10	1	1	1	1	1	1
1DW1A4023BS225802	MY2011	02/10/10	1	1	1	1	1	1
1DW1A4025BS225803	MY2011	02/11/10	1	1	1	1	1	1
1DW1A4027BS225804	MY2011	02/15/10	1	1	1	1	1	1
1DW1A4025BS225901	MY2011	02/09/10	1	1	1	1	1	1
1DW1A4027BS225902	MY2011	02/09/10	1	1	1	1	1	1
1DW1A4029BS226601	MY2011	03/01/10	1			1	1	1
1DW1A4020BS226602	MY2011	03/02/10	1			1	1	1
1DW1A4022BS226701	MY2011	02/15/10	1	1	1	1	1	1
1DW1A4026BS226801	MY2011	02/15/10	1			1	1	1
1DW1A4025BS227101	MY2011	02/18/10	1			1	1	1
1DW1A4026BS227401	MY2011	02/16/10	1	1	1	1	1	1
1DW1A4028BS227402	MY2011	02/16/10	1	1	1	1	1	1
1DW1A402XBS227403	MY2011	02/17/10	1	1	1	1	1	1
1DW1A4021BS227404	MY2011	02/17/10	1	1	1	1	1	1
1DW1A4023BS227405	MY2011	02/17/10	1	1	1	1	1	1
1DW1A4025BS227406	MY2011	02/18/10	1	1	1	1	1	1
1DW1A4027BS227407	MY2011	02/24/10	1	1	1	1	1	1
1DW1A4029BS227408	MY2011	02/24/10	1	1	1	1	1	1
1DW1A4020BS227409	MY2011	02/24/10	1	1	1	1	1	1
1DW1A4027BS227410	MY2011	02/25/10	1	1	1	1	1	1
1DW1A402XBS227501	MY2011	02/22/10	1			1	1	1
1DW1A4021BS227502	MY2011	02/22/10	1			1	1	1
1DW1A4023BS227503	MY2011	02/22/10	1			1	1	1
1DW1A4025BS227504	MY2011	02/23/10	1			1	1	1
1DW1A4027BS227505	MY2011	02/23/10	1			1	1	1
1DW1A4227BS227601	MY2011	03/02/10	1	1	1	1	1	1
1DW1A4020BS227801	MY2011	02/25/10	1	1	1	1	1	1
1DW1A4024BS228501	MY2011	03/09/10	1	1	1	1	1	1
1DW1A4028BS228601	MY2011	03/03/10	1			1	1	1
1DW1A4225BS228701	MY2011	03/08/10	1	1	1	1	1	1
1DW1A4229BS228801	MY2011	03/03/10	1			1	1	1
1DW1A4222BS228901	MY2011	03/01/10	1			1	1	1
1DW1A4020BS229001	MY2011	03/10/10	1	1	1	1	1	1
1DW1A4022BS229002	MY2011	03/10/10	1	1	1	1	1	1
1DW1A4024BS229003	MY2011	03/10/10	1	1	1	1	1	1
1DW1A4026BS229004	MY2011	03/11/10	1	1	1	1	1	1
1DW1A4028BS229005	MY2011	03/11/10	1	1	1	1	1	1
1DW1A4228BS229101	MY2011	03/03/10	1			1	1	1
1DW1A422XBS229102	MY2011	03/04/10	1			1	1	1
1DW1A4221BS229103	MY2011	03/04/10	1			1	1	1
1DW1A4223BS229104	MY2011	03/08/10	1			1	1	1
1DW1A4225BS229105	MY2011	03/08/10	1			1	1	1
1DW1A4029BS229501	MY2011	03/15/10	1			1	1	1
1DW1A4020BS229502	MY2011	03/16/10	1			1	1	1
1DW1A4026BS229701	MY2011	03/09/10	1	1	1	1	1	1
1DW1A4026BS230301	MY2011	03/16/10	1			1	1	1
1DW1A402XBS230401	MY2011	03/15/10	1	1	1	1	1	1
1DW1A4027BS231201	MY2011	04/08/10	1	1	1	1	1	1
1DW1A4029BS231801	MY2011	03/17/10	1			1	1	1
1DW1A4022BS231901	MY2011	03/17/10	1			1	1	1
1DW1A4221BS232101	MY2011	03/18/10	1	1	1	1	1	1
1DW1A4223BS232102	MY2011	03/18/10	1	1	1	1	1	1

Cost Code		7030	7040	7033	7041	7031	7034	7035
No. of Trailers Included In Each Repair		638	1115	709	709	477	652	1115
1DW1A42258S232103	MY2011	03/22/10		1	1	1	1	1
1DW1A42278S232104	MY2011	03/22/10	1	1	1	1	1	1
1DW1A42298S232105	MY2011	03/22/10	1	1	1	1	1	1
1DW1A42208S232106	MY2011	03/23/10	1	1	1	1	1	1
1DW1A42228S232107	MY2011	03/23/10	1	1	1	1	1	1
1DW1A42248S232108	MY2011	03/24/10	1	1	1	1	1	1
1DW1A42268S232109	MY2011	03/24/10	1	1	1	1	1	1
1DW1A4228S232110	MY2011	03/24/10	1	1	1	1	1	1
1DW1A42268S233101	MY2011	03/17/10	1			1		1
1DW1A40238S233401	MY2011	03/25/10	1	1	1	1	1	1
1DW1A40258S233402	MY2011	03/25/10	1	1	1	1	1	1
1DW1A34218S233501	MY2011	04/06/10	1			1		1
1DW1A40248S233701	MY2011	03/29/10	1	1	1	1	1	1
1DW1A40268S233702	MY2011	03/29/10	1	1	1	1	1	1
1DW1A40288S233703	MY2011	03/29/10	1	1	1	1	1	1
1DW1A402X8S233704	MY2011	03/30/10	1	1	1	1	1	1
1DW1A40218S233705	MY2011	03/30/10	1	1	1	1	1	1
1DW1A42218S233801	MY2011	03/31/10	1			1		1
1DW1A42238S233802	MY2011	03/31/10	1			1		1
1DW1A42258S233803	MY2011	03/31/10	1			1		1
1DW1A42278S233804	MY2011	04/01/10	1			1		1
1DW1A42298S233805	MY2011	04/01/10	1			1		1
1DW1A342X8S234601	MY2011	04/05/10		1	1	1	1	1
1DW1A40228S235401	MY2011	05/03/10	1			1		1
1DW1A40248S235402	MY2011	05/03/10	1			1		1
1DW1A40268S235403	MY2011	05/03/10	1			1		1
1DW1A40288S235404	MY2011	05/04/10	1			1		1
1DW1A402X8S235405	MY2011	05/04/10	1			1		1
1DW1A40268S235501	MY2011	04/12/10	1	1	1	1	1	1
1DW1A40288S235502	MY2011	04/12/10	1	1	1	1	1	1
1DW1A402X8S235503	MY2011	04/13/10	1	1	1	1	1	1
1DW1A40218S235504	MY2011	04/13/10	1	1	1	1	1	1
1DW1A40238S235505	MY2011	04/13/10	1	1	1	1	1	1
1DW1A40258S235506	MY2011	04/14/10	1	1	1	1	1	1
1DW1A40278S235507	MY2011	04/14/10	1	1	1	1	1	1
1DW1A40298S235508	MY2011	04/15/10	1	1	1	1	1	1
1DW1A40208S235509	MY2011	04/15/10	1	1	1	1	1	1
1DW1A40278S235510	MY2011	04/15/10	1	1	1	1	1	1
1DW1A40298S237601	MY2011	04/19/10	1			1		1
1DW1A40208S237602	MY2011	04/19/10	1			1		1
1DW1A40228S237603	MY2011	04/20/10	1			1		1
1DW1A40248S237604	MY2011	04/20/10	1			1		1
1DW1A40268S237605	MY2011	04/20/10	1			1		1
1DW1A40288S237606	MY2011	04/21/10	1			1		1
1DW1A402X8S237607	MY2011	04/21/10	1			1		1
1DW1A40218S237608	MY2011	04/22/10	1			1		1
1DW1A40238S237609	MY2011	04/22/10	1			1		1
1DW1A402X8S237610	MY2011	04/22/10	1			1		1
1DW1A40228S237701	MY2011	04/26/10	1			1		1
1DW1A40248S237702	MY2011	04/26/10	1			1		1
1DW1A40268S237703	MY2011	04/27/10	1			1		1
1DW1A40288S237704	MY2011	04/27/10	1			1		1
1DW1A402X8S237705	MY2011	04/27/10	1			1		1
1DW1A40218S237706	MY2011	04/28/10	1			1		1
1DW1A40238S237707	MY2011	04/28/10	1			1		1
1DW1A40258S237708	MY2011	04/29/10	1			1		1
1DW1A40278S237709	MY2011	04/29/10	1			1		1
1DW1A40238S237710	MY2011	04/29/10	1			1		1
1DW1A40258S238101	MY2011	04/06/10	1	1	1	1	1	1
1DW1A40278S238102	MY2011	04/07/10	1	1	1	1	1	1
1DW1A40298S238103	MY2011	04/07/10	1	1	1	1	1	1
1DW1A40208S238104	MY2011	04/08/10	1	1	1	1	1	1
1DW1A40228S238105	MY2011	04/08/10	1	1	1	1	1	1
1DW1A40228S238301	MY2011	06/02/10	1	1	1	1	1	1
1DW1A40248S238302	MY2011	06/02/10	1	1	1	1	1	1
1DW1A40288S239601	MY2011	05/04/10	1	1	1	1	1	1
1DW1A402X8S239602	MY2011	05/05/10	1	1	1	1	1	1
1DW1A40218S239603	MY2011	05/05/10	1	1	1	1	1	1
1DW1A40238S239604	MY2011	05/05/10	1	1	1	1	1	1
1DW1A40258S239605	MY2011	05/06/10	1	1	1	1	1	1
1DW1A40278S239606	MY2011	05/06/10	1	1	1	1	1	1
1DW1A40298S239607	MY2011	05/06/10	1	1	1	1	1	1
1DW1A40208S239608	MY2011	05/10/10	1	1	1	1	1	1
1DW1A40228S239609	MY2011	05/10/10	1	1	1	1	1	1
1DW1A40298S239610	MY2011	05/10/10	1	1	1	1	1	1
1DW1A40208S239611	MY2011	05/19/10	1	1	1	1	1	1
1DW1A40228S239612	MY2011	05/19/10	1	1	1	1	1	1
1DW1A40248S239613	MY2011	05/20/10	1	1	1	1	1	1
1DW1A40268S239614	MY2011	05/20/10	1	1	1	1	1	1
1DW1A40288S239615	MY2011	05/20/10	1	1	1	1	1	1
1DW1A402X8S239616	MY2011	05/24/10	1	1	1	1	1	1
1DW1A40218S239617	MY2011	05/24/10	1	1	1	1	1	1
1DW1A40238S239618	MY2011	05/24/10	1	1	1	1	1	1
1DW1A40258S239619	MY2011	05/25/10	1	1	1	1	1	1
1DW1A40218S239620	MY2011	06/17/10	1	1	1	1	1	1
1DW1A40218S239701	MY2011	05/11/10	1			1		1
1DW1A40238S239702	MY2011	05/11/10	1			1		1
1DW1A40258S239703	MY2011	05/11/10	1			1		1
1DW1A40278S239704	MY2011	05/12/10	1			1		1
1DW1A40298S239705	MY2011	05/12/10	1			1		1
1DW1A40208S239706	MY2011	05/12/10	1			1		1
1DW1A40228S239707	MY2011	05/13/10	1			1		1
1DW1A40248S239708	MY2011	05/13/10	1			1		1
1DW1A40268S239709	MY2011	05/13/10	1			1		1
1DW1A40288S239710	MY2011	05/17/10	1			1		1

Cost Code		7030	7040	7033	7041	7031	7034	7035
No. of Trailers Included In Each Repair		638	1115	709	709	477	652	1115
1DW1A40258S239801	MY2011 05/17/10		1	1	1	1		1
1DW1A40278S239802	MY2011 05/17/10		1	1	1	1		1
1DW1A40298S239803	MY2011 05/18/10		1	1	1	1		1
1DW1A40208S239804	MY2011 05/18/10		1	1	1	1		1
1DW1A40228S239805	MY2011 05/18/10		1	1	1	1		1
1DW1A4228S239901	MY2011 05/27/10		1			1		1
1DW1A42248S239902	MY2011 05/27/10		1			1		1
1DW1A42268S239903	MY2011 06/01/10		1			1		1
1DW1A42288S239904	MY2011 06/01/10		1			1		1
1DW1A422X8S239905	MY2011 06/01/10		1			1		1
1DW1A42218S240201	MY2011 06/01/10		1			1		1
1DW1A40228S241201	MY2011 06/08/10		1			1		1
1DW1A40248S241202	MY2011 06/08/10		1			1		1
1DW1A40268S241203	MY2011 06/08/10		1			1		1
1DW1A40288S241204	MY2011 06/09/10		1			1		1
1DW1A402X8S241205	MY2011 06/09/10		1			1		1
1DW1A42238S241401	MY2011 05/25/10		1			1		1
1DW1A42258S241402	MY2011 05/25/10		1			1		1
1DW1A42278S241403	MY2011 05/26/10		1			1		1
1DW1A42298S241404	MY2011 05/26/10		1			1		1
1DW1A42208S241405	MY2011 05/26/10		1			1		1
1DW1A42228S241406	MY2011 05/27/10		1			1		1
1DW1A40238S241501	MY2011 06/02/10		1			1		1
1DW1A402X8S242001	MY2011 06/03/10		1	1	1	1		1
1DW1A40218S242002	MY2011 06/07/10		1	1	1	1		1
1DW1A40238S242003	MY2011 06/07/10		1	1	1	1		1
1DW1A40258S242004	MY2011 06/07/10		1	1	1	1		1
1DW1A40278S242005	MY2011 06/08/10		1	1	1	1		1
1DW1A40238S242101	MY2011 06/03/10		1	1	1	1		1
1DW1A40258S242102	MY2011 06/03/10		1	1	1	1		1
1DW1A40278S242103	MY2011 06/03/10		1	1	1	1		1
1DW1A34218S242201	MY2011 06/10/10		1			1		1
1DW1A34238S242202	MY2011 06/10/10		1			1		1
1DW1A34258S242203	MY2011 06/10/10		1			1		1
1DW1A34278S242204	MY2011 06/10/10		1			1		1
1DW1A34298S242205	MY2011 06/14/10		1			1		1
1DW1A342X8S242701	MY2011 06/09/10		1			1		1
1DW1A40298S242801	MY2011 05/19/10		1	1	1	1		1
1DW1A4228S243401	MY2011 06/14/10		1	1	1	1		1
1DW1A42248S243402	MY2011 06/14/10		1	1	1	1		1
1DW1A42268S243403	MY2011 06/15/10		1	1	1	1		1
1DW1A42288S243404	MY2011 06/15/10		1	1	1	1		1
1DW1A422X8S243405	MY2011 06/15/10		1	1	1	1		1
1DW1A42218S243406	MY2011 06/15/10		1	1	1	1		1
1DW1A42238S243407	MY2011 06/16/10		1	1	1	1		1
1DW1A42258S243408	MY2011 06/16/10		1	1	1	1		1
1DW1A42278S243409	MY2011 06/16/10		1	1	1	1		1
1DW1A42238S243410	MY2011 06/17/10		1	1	1	1		1
1DW1A40228S243501	MY2011 06/17/10		1	1	1	1		1
1DW1A40248S243502	MY2011 06/17/10		1	1	1	1		1
1DW1A40268S243503	MY2011 06/21/10		1	1	1	1		1
1DW1A40288S243504	MY2011 06/21/10		1	1	1	1		1
1DW1A40248S244701	MY2011 06/21/10		1	1	1	1		1
1DW1A40268S244702	MY2011 06/22/10		1	1	1	1		1
1DW1A40288S244703	MY2011 06/22/10		1	1	1	1		1
1DW1A402X8S244704	MY2011 06/22/10		1	1	1	1		1
1DW1A40218S244705	MY2011 06/22/10		1	1	1	1		1
1DW1A40238S244706	MY2011 06/23/10		1	1	1	1		1
1DW1A40258S244707	MY2011 06/23/10		1	1	1	1		1
1DW1A40278S244708	MY2011 06/23/10		1	1	1	1		1
1DW1A40298S244709	MY2011 06/24/10		1	1	1	1		1
1DW1A40258S244710	MY2011 06/24/10		1	1	1	1		1
1DW1A40278S244711	MY2011 06/24/10		1	1	1	1		1
1DW1A40298S244712	MY2011 06/24/10		1	1	1	1		1
1DW1A40228S246401	MY2011 06/28/10		1	1	1	1		1
1DW1A40248S246402	MY2011 06/28/10		1	1	1	1		1
1DW1A40268S246403	MY2011 06/28/10		1	1	1	1		1
1DW1A40288S246404	MY2011 06/29/10		1	1	1	1		1
1DW1A402X8S246405	MY2011 06/29/10		1	1	1	1		1
1DW1A40218S246406	MY2011 06/29/10		1	1	1	1		1
1DW1A40238S246407	MY2011 06/29/10		1	1	1	1		1
1DW1A40258S246408	MY2011 06/30/10		1	1	1	1		1
1DW1A40278S246409	MY2011 06/30/10		1	1	1	1		1
1DW1A40238S246410	MY2011 06/30/10		1	1	1	1		1
1DW1A40258S246411	MY2011 07/01/10		1	1	1	1		1
1DW1A40278S246412	MY2011 07/01/10		1	1	1	1		1
1DW1A40298S246413	MY2011 07/01/10		1	1	1	1		1
1DW1A40208S246414	MY2011 07/01/10		1	1	1	1		1
1DW1A40268S246501	MY2011 07/06/10		1			1		1
1DW1A40288S246502	MY2011 07/06/10		1			1		1
1DW1A402X8S246503	MY2011 07/06/10		1			1		1
1DW1A40218S246504	MY2011 07/07/10		1			1		1
1DW1A40238S246505	MY2011 07/07/10		1			1		1
1DW1A40258S246506	MY2011 07/07/10		1			1		1
1DW1A40278S246507	MY2011 07/08/10		1			1		1
1DW1A40298S246508	MY2011 07/08/10		1			1		1
1DW1A40208S246509	MY2011 07/08/10		1			1		1
1DW1A40278S246510	MY2011 07/08/10		1			1		1
1DW1A40298S246511	MY2011 07/12/10		1			1		1
1DW1A40208S246512	MY2011 07/12/10		1			1		1
1DW1A40248S247601	MY2011 07/06/10		1	1	1	1		1
1DW1A42218S248301	MY2011 07/12/10		1			1		1
1DW1A42238S248302	MY2011 07/13/10		1			1		1
1DW1A42258S248303	MY2011 07/13/10		1			1		1
1DW1A42278S248304	MY2011 07/13/10		1			1		1

Cost Code		7030	7040	7033	7041	7031	7034	7035
No. of Trailers Included In Each Repair		638	1115	709	709	477	652	1115
1DW1A42298S248305	MY2011	07/13/10				1		1
1DW1A40218S248401	MY2011	07/14/10	1			1		1
1DW1A40238S248402	MY2011	07/14/10	1			1		1
1DW1A40258S248403	MY2011	07/14/10	1			1		1
1DW1A40278S248404	MY2011	07/15/10	1			1		1
1DW1A40298S248405	MY2011	07/15/10	1			1		1
1DW1A40208S248406	MY2011	07/15/10	1			1		1
1DW1A40228S248407	MY2011	07/15/10	1			1		1
1DW1A402X8S249501	MY2011	07/19/10	1			1		1
1DW1A40218S249502	MY2011	07/19/10	1			1		1
1DW1A40238S249503	MY2011	07/19/10	1			1		1
1DW1A40258S249504	MY2011	07/20/10	1			1		1
1DW1A40278S249505	MY2011	07/20/10	1			1		1
1DW1A40298S249506	MY2011	07/20/10	1			1		1
1DW1A40208S249507	MY2011	07/20/10	1			1		1
1DW1A40228S249508	MY2011	07/21/10	1			1		1
1DW1A40248S249509	MY2011	07/21/10	1			1		1
1DW1A40208S249510	MY2011	07/21/10	1			1		1
1DW1A40228S249511	MY2011	07/22/10	1			1		1
1DW1A40248S249512	MY2011	07/22/10	1			1		1
1DW1A40268S249513	MY2011	07/22/10	1			1		1
1DW1A40288S249514	MY2011	07/22/10	1			1		1
1DW1A40278S250301	MY2011	07/26/10	1	1	1	1		1
1DW1A40298S250302	MY2011	07/26/10	1	1	1	1		1
1DW1A40208S250303	MY2011	07/26/10	1	1	1	1		1
1DW1A40228S250304	MY2011	07/27/10	1	1	1	1		1
1DW1A40248S250305	MY2011	07/27/10	1	1	1	1		1
1DW1A40268S250306	MY2011	07/27/10	1	1	1	1		1
1DW1A40288S250307	MY2011	07/27/10	1	1	1	1		1
1DW1A402X8S250308	MY2011	07/28/10	1	1	1	1		1
1DW1A40218S250309	MY2011	07/28/10	1	1	1	1		1
1DW1A40288S250310	MY2011	07/28/10	1	1	1	1		1
1DW1A402X8S250311	MY2011	07/29/10	1	1	1	1		1
1DW1A40218S250312	MY2011	07/29/10	1	1	1	1		1
1DW1A40238S250313	MY2011	07/29/10	1	1	1	1		1
1DW1A40258S250314	MY2011	07/29/10	1	1	1	1		1
1DW1A42278S251901	MY2011	08/04/10	1	1	1	1		1
1DW1A42298S251902	MY2011	08/05/10	1	1	1	1		1
1DW1A42208S251903	MY2011	08/05/10	1	1	1	1		1
1DW1A42228S251904	MY2011	08/05/10	1	1	1	1		1
1DW1A42248S251905	MY2011	08/05/10	1	1	1	1		1
1DW1A42298S252001	MY2011	08/03/10	1	1	1	1		1
1DW1A42208S252002	MY2011	08/03/10	1	1	1	1		1
1DW1A42228S252003	MY2011	08/04/10	1	1	1	1		1
1DW1A42248S252004	MY2011	08/04/10	1	1	1	1		1
1DW1A40298S252101	MY2011	08/02/10	1	1	1	1		1
1DW1A40208S252102	MY2011	08/02/10	1	1	1	1		1
1DW1A40228S252103	MY2011	08/02/10	1	1	1	1		1
1DW1A40248S252104	MY2011	08/03/10	1	1	1	1		1
1DW1A40268S252105	MY2011	08/03/10	1	1	1	1		1
1DW1A40238S253101	MY2011	08/09/10	1			1		1
1DW1A40258S253102	MY2011	08/09/10	1			1		1
1DW1A40278S253103	MY2011	08/09/10	1			1		1
1DW1A40298S253104	MY2011	08/10/10	1			1		1
1DW1A40208S253105	MY2011	08/10/10	1			1		1
1DW1A40228S253106	MY2011	08/10/10	1			1		1
1DW1A40248S253107	MY2011	08/10/10	1			1		1
1DW1A40268S253108	MY2011	08/11/10	1			1		1
1DW1A40288S253109	MY2011	08/11/10	1			1		1
1DW1A40248S253110	MY2011	08/11/10	1			1		1
1DW1A40268S253111	MY2011	08/12/10	1			1		1
1DW1A40288S253112	MY2011	08/12/10	1			1		1
1DW1A402X8S253113	MY2011	08/12/10	1			1		1
1DW1A40218S253114	MY2011	08/12/10	1			1		1
1DW1A42268S254501	MY2011	08/24/10	1			1		1
1DW1A42288S254502	MY2011	08/25/10	1			1		1
1DW1A422X8S254503	MY2011	08/25/10	1			1		1
1DW1A42218S254504	MY2011	08/25/10	1			1		1
1DW1A42238S254505	MY2011	08/26/10	1			1		1
1DW1A42258S254506	MY2011	08/26/10	1			1		1
1DW1A42278S254507	MY2011	08/26/10	1			1		1
1DW1A42298S254508	MY2011	08/26/10	1			1		1
1DW1A42208S254509	MY2011	08/30/10	1			1		1
1DW1A42278S254510	MY2011	09/07/10	1			1		1
1DW1A42298S254511	MY2011	09/07/10	1			1		1
1DW1A42208S254512	MY2011	09/07/10	1			1		1
1DW1A42228S254513	MY2011	09/08/10	1			1		1
1DW1A42248S254514	MY2011	09/08/10	1			1		1
1DW1A34248S255301	MY2011	08/24/10	1	1	1	1		1
1DW1A42208S256101	MY2011	08/17/10	1	1	1	1		1
1DW1A42228S256102	MY2011	08/17/10	1	1	1	1		1
1DW1A42248S256103	MY2011	08/18/10	1	1	1	1		1
1DW1A42268S256104	MY2011	08/18/10	1	1	1	1		1
1DW1A42288S256105	MY2011	08/18/10	1	1	1	1		1
1DW1A422X8S256106	MY2011	08/19/10	1	1	1	1		1
1DW1A42218S256107	MY2011	08/19/10	1	1	1	1		1
1DW1A42238S256108	MY2011	08/19/10	1	1	1	1		1
1DW1A42258S256109	MY2011	08/19/10	1	1	1	1		1
1DW1A42218S256110	MY2011	08/23/10	1	1	1	1		1
1DW1A42238S256111	MY2011	08/23/10	1	1	1	1		1
1DW1A42258S256112	MY2011	08/23/10	1	1	1	1		1
1DW1A42278S256113	MY2011	08/24/10	1	1	1	1		1
1DW1A42298S256114	MY2011	08/24/10	1	1	1	1		1
1DW1A34268S257101	MY2011	08/30/10	1			1		1
1DW1A34288S257102	MY2011	08/30/10	1			1		1

Cost Code		7030	7040	7033	7041	7031	7034	7035
No. of Trailers Included In Each Repair		638	1115	709	709	477	652	1115
1DW1A40258S257201	MY2011	08/31/10		1	1	1		1
1DW1A40228S257401	MY2011	08/31/10	1	1	1	1		1
1DW1A40248S257402	MY2011	08/31/10	1	1	1	1		1
1DW1A40268S257403	MY2011	09/01/10	1	1	1	1		1
1DW1A40288S257404	MY2011	09/01/10	1	1	1	1		1
1DW1A402X8S257405	MY2011	09/01/10	1	1	1	1		1
1DW1A40218S257406	MY2011	09/02/10	1	1	1	1		1
1DW1A40238S257407	MY2011	09/02/10	1	1	1	1		1
1DW1A40258S257408	MY2011	09/02/10	1	1	1	1		1
1DW1A40278S258401	MY2011	09/13/10	1			1		1
1DW1A40248S259201	MY2011	08/16/10	1			1		1
1DW1A40268S259202	MY2011	08/16/10	1			1		1
1DW1A40288S259203	MY2011	08/16/10	1			1		1
1DW1A402X8S259204	MY2011	08/17/10	1			1		1
1DW1A40218S259205	MY2011	08/17/10	1			1		1
1DW1A34278S259701	MY2011	09/08/10	1			1		1
1DW1A34298S259702	MY2011	09/09/10	1			1		1
1DW1A34208S259703	MY2011	09/09/10	1			1		1
1DW1A34228S259704	MY2011	09/09/10	1			1		1
1DW1A40258S260101	MY2011	09/13/10	1	1	1	1		1
1DW1A40298S260201	MY2011	09/13/10	1	1	1	1		1
1DW1A40208S260202	MY2011	09/14/10	1	1	1	1		1
1DW1A40228S260203	MY2011	09/14/10	1	1	1	1		1
1DW1A40248S260204	MY2011	09/14/10	1	1	1	1		1
1DW1A40268S260205	MY2011	09/15/10	1	1	1	1		1
1DW1A40288S260206	MY2011	09/15/10	1	1	1	1		1
1DW1A402X8S260207	MY2011	09/15/10	1	1	1	1		1
1DW1A40218S260208	MY2011	09/16/10	1	1	1	1		1
1DW1A40238S260209	MY2011	09/16/10	1	1	1	1		1
1DW1A402X8S260210	MY2011	09/16/10	1	1	1	1		1
1DW1A402X8S261101	MY2011	09/20/10	1	1	1	1		1
1DW1A34288S261201	MY2011	09/20/10	1			1		1
1DW1A342X8S261202	MY2011	09/20/10	1			1		1
1DW1A34218S261203	MY2011	09/21/10	1			1		1
1DW1A34238S261204	MY2011	09/21/10	1			1		1
1DW1A34258S261205	MY2011	09/21/10	1			1		1
1DW1A34278S261206	MY2011	09/22/10	1			1		1
1DW1A34298S261207	MY2011	09/22/10	1			1		1
1DW1A34208S261208	MY2011	09/22/10	1			1		1
1DW1A34228S261209	MY2011	09/23/10	1			1		1
1DW1A34298S261210	MY2011	09/23/10	1			1		1
1DW1A34208S261211	MY2011	09/23/10	1			1		1
1DW1A40238S263501	MY2011	09/27/10	1	1	1	1		1
1DW1A42288S263801	MY2011	10/06/10	1			1		1
1DW1A422X8S263802	MY2011	10/07/10	1			1		1
1DW1A42218S263803	MY2011	10/07/10	1			1		1
1DW1A42238S263804	MY2011	10/07/10	1			1		1
1DW1A42258S263805	MY2011	10/11/10	1			1		1
1DW1A42278S263806	MY2011	10/12/10	1			1		1
1DW1A40288S263901	MY2011	09/30/10	1	1	1	1		1
1DW1A402X8S263902	MY2011	09/30/10	1	1	1	1		1
1DW1A40218S263903	MY2011	09/30/10	1	1	1	1		1
1DW1A40238S263904	MY2011	10/04/10	1	1	1	1		1
1DW1A40258S263905	MY2011	10/04/10	1	1	1	1		1
1DW1A402X8S264001	MY2011	09/27/10	1	1	1	1		1
1DW1A40218S264002	MY2011	09/27/10	1	1	1	1		1
1DW1A40238S264003	MY2011	09/28/10	1	1	1	1		1
1DW1A40258S264004	MY2011	09/28/10	1	1	1	1		1
1DW1A40278S264005	MY2011	09/28/10	1	1	1	1		1
1DW1A40298S264006	MY2011	09/29/10	1	1	1	1		1
1DW1A40208S264007	MY2011	09/29/10	1	1	1	1		1
1DW1A40228S264008	MY2011	09/29/10	1	1	1	1		1
1DW1A42278S264101	MY2011	10/04/10	1	1	1	1		1
1DW1A42298S264102	MY2011	10/05/10	1	1	1	1		1
1DW1A42208S264103	MY2011	10/05/10	1	1	1	1		1
1DW1A42228S264104	MY2011	10/05/10	1	1	1	1		1
1DW1A42288S264401	MY2011	10/06/10	1	1	1	1		1
1DW1A42298S264701	MY2011	10/06/10	1			1		1
1DW1A42248S266601	MY2011	10/12/10	1	1	1	1		1
1DW1A42268S266602	MY2011	10/13/10	1	1	1	1		1
1DW1A42288S266603	MY2011	10/14/10	1	1	1	1		1
1DW1A422X8S266604	MY2011	10/14/10	1	1	1	1		1
1DW1A42218S268001	MY2011	10/27/10	1			1		1
1DW1A42238S268002	MY2011	10/28/10	1			1		1
1DW1A42258S268003	MY2011	10/28/10	1			1		1
1DW1A40228S269001	MY2011	10/19/10	1			1		1
1DW1A40248S269002	MY2011	10/20/10	1			1		1
1DW1A40268S269003	MY2011	10/21/10	1			1		1
1DW1A40288S269004	MY2011	10/21/10	1			1		1
1DW1A402X8S269005	MY2011	10/25/10	1			1		1
1DW1A40218S269006	MY2011	10/26/10	1			1		1
1DW1A40238S269007	MY2011	10/26/10	1			1		1
1DW1A40228S270701	MY2011	10/18/10	1			1		1
1DW1A40248S270702	MY2011	10/19/10	1			1		1



REPAIR DOCUMENT

Ag Hopper Trailer Coupler to Hopper Structure Upgrade

Repair Document #: **RD-00031**
Date: August 22, 2012
Revision: **C**
Revision Date: March 14, 2013

Reference Recall No.:

US NHTSA Recall No. 13V-025
Transport Canada Recall No. 2013-035

Contact Information:

If you have any questions about this Repair Document please contact the Stoughton Trailers Customer Service Department by telephone (608)-873-2555 or by email (warranty@stoughtontrailers.com).

Subject:

Recommended repair procedure for damage on Ag Hopper trailers in the bottom rail and lower structure between the upper coupler and the front hopper. The appropriate upgrade on Model Years 2009 and 2010 STOUGHTON Ag Hopper trailers will improve lateral stability in the area resulting in increased durability of the unit.

Models:

Trailers that qualify for this upgrade can be identified by the following:

1. Model: AHV
2. Model Years: 2009 and 2010
 - a. VIN Model Year Date Codes of 9 and A
3. Date of Manufacture: December 2007 thru October 2009.
4. Reference Appendix B for a complete list of units covered.
5. Built with an aluminum crossmember on the forward side of the front hopper.

6. Order numbers covered are within the range of 0789 to 2033.

Code	Year	Code	Year
Y =	2000	A =	2010
1 =	2001	B =	2011
2 =	2002	C =	2012
3 =	2003	D =	2013
4 =	2004	E =	2014
5 =	2005	F =	2015
6 =	2006	G =	2016
7 =	2007	H =	2017
8 =	2008	J =	2018
9 =	2009	K =	2019

Figure 1: Model Year Date Code

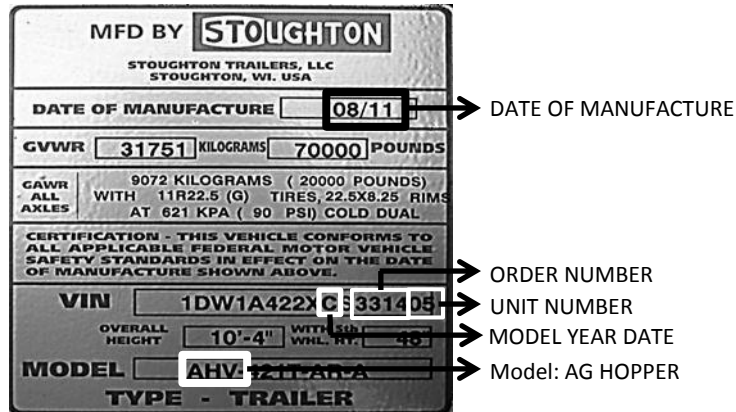


Figure 2: Stoughton Trailers

Issue:

The repair and upgrades address the lateral stability of the bottom rail in the immediate area forward of the landing gear and front hopper. Lateral movement in this area allows the bottom rail and steel internal structure to flex side to side between the two crossmembers forward of the hopper. Excessive flexing can cause fatigue cracks and fastener failure.

Remedy:

The repairs and upgrades must be performed by a Stoughton Trailer Ag Hopper dealer or an authorized repair shop.

STOUGHTON trailers covered by this document are Model Year 2009 and 2010's that have an aluminum crossmember on the forward side of the front hopper (Fig 3). The aluminum crossmember and the steel crossmember forward of that will be removed along with part of the steel side channels inside the bottom rail. This will be replaced by a new sub-assembly that includes an integral full width shear plate between the two crossmembers. Doubler plates will be added on the outside of the bottom rails. The

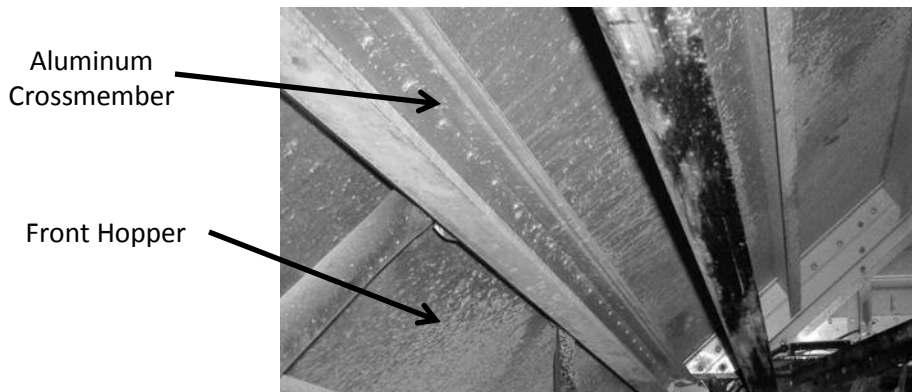


Figure 3: Early unit with Aluminum crossmember by landing gear.

3/8" Huck fasteners attaching the diagonal brace channels between the hopper and the upper coupler will be replaced with 1/2" bolts. Gussets will be added to the aft corners of the coupler.

Some of the trailers covered by this document have had prior modifications made to them. These earlier modifications replaced the aluminum crossmember with either a galvanized or painted steel crossmember. Do the following if one of these old modifications are found:

- If the steel crossmember is galvanized it shall be replaced using the procedure described in this document for an aluminum crossmember.
- If the steel crossmember is not galvanized it will have to be modified according to Repair Document RD-00037.

Warning:

During all steps of the repair and upgrade procedures one must use appropriate safety precautions.

- Use personal safety equipment when working on any trailer (i.e. safety glasses, hearing protection, safety shoes, etc.).
- Trailer must be supported at all times to prevent movement throughout the upgrade process.
 - Check to insure landing gear is in proper working order and providing proper support prior to upgrade.
- The trailer must be empty before any repairs or upgrades are made.

Inspection:

Fatigue in the bottom rail and internal structure just forward of the landing gear and front hopper could result in conditions shown below. The inspection process must determine whether any of these conditions exist, and if it repairs are required. If a repair is necessary refer to Appendix A.

1. Cracks in the bottom rail around bolts and at the inside corner of the bottom bulb.

- a. Bottom rails on both sides of the trailer must be inspected from 3 ft. in front of the landing gear to 2 ft. behind the landing gear.
- b. Look for cracks around the fasteners.
 - Spider web cracks generally extending horizontally (Fig. 4)



Figure 4: Spider crack on bottom rail

- c. Look for cracks on the top inside corner of the bottom bulb. (Fig. 5)

- If crack on inside corner extends outward on the horizontal leg of extrusion and is closer than 3/8in from the outside face of the bottom rail then contact Stoughton Trailers Customer Service to determine if bottom rail must be replaced.



Figure 5: Crack on the top inside corner of bottom bulb.

- d. Doubler plates will be installed on the outside of the bottom rail in this area to correct for these issues

- e. Record location and severity of any cracking found on a unit in issued paperwork and report this information to Stoughton Customer Service.

2. Cracked side posts at bottom of front hopper slope

- a. Inspect 3 side posts that are exposed forward of the front hopper. The cracks most commonly occur inside the side extrusion (Fig 6).
- b. Inspect for crack at rivet connecting the bottom edge of hopper slope.
- c. Inspect for crack at bottom of post inside corner between web and flange where it connects to bottom rail.
- d. See Appendix A for repair procedure



Figure 6: Crack on side post by front hopper slope.

3. Cracked forward slope side extrusion at bottom of front hopper.

- a. Inspect for cracks in extrusion (Fig 7).
- b. See appendix A for repair procedure.

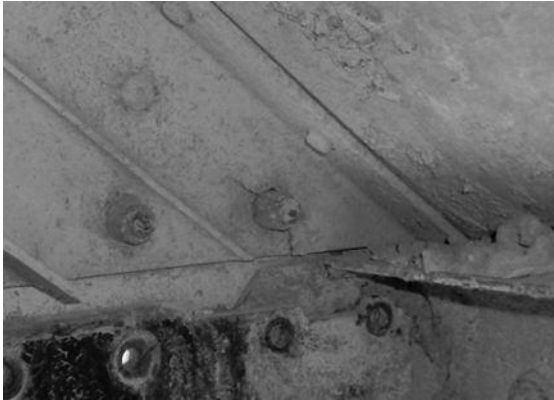


Figure 7: crack on side extrusion.

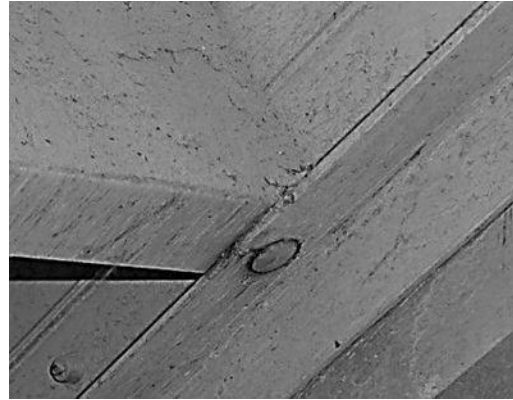


Figure 8: Cracks at side extrusion and Z plate connection.

4. Cracked forward slope side extrusion where attached to Z crossmember in front of forward hopper.

- a. Inspect for cracks in extrusion (Fig 8).
- b. Look for loose fasteners
- c. See Appendix A for repair procedure.

NOTE:

- Severity of damage will determine the appropriate repair procedure.
- All repairs performed must be noted on form to be sent to customer service for tracking purposes.
- If there is any damage found that was not mentioned in this repair document please contact Stoughton Trailers.

UPGRADE PROCEDURE:

Work to be Performed:

1. Aluminum and steel crossmembers immediately ahead of forward hopper are to be removed along with part of the side attachment channels.
2. Install new crossmember and side channel assembly with integral full width shear plate.
3. Diagonal cross-brace 3/8" bolts replaced with 1/2" bolts at front corners and welded to the new crossmember assembly at the aft corners.
4. Gussets installed at aft corners of upper coupler.
5. Bottom rail doubler plate installed on outside in landing gear area, both sides.
6. Install a Diamondply cover aft of the coupler frame.

Parts Required:

<u>Part Number</u>	<u>Description</u>	<u>Quantity</u>
SK-07775	Filler Plate	2
SK-07728	Crossmember Subassembly	1
01-26780	Channel	2
01-26951-100	Rail, Doubler	1
01-26951-200	Rail, Doubler	1
04-95120-125	Bolt, 5/16-18 X 1 1/4, SS302	50
04-95502	Locknut, 5/16-18	50
04-95506	Locknut, 5/8-11	2
04-96013	Washer, 5/8 SAE	2
04-95005-150	Bolt, 5/8-11 X 1 1/2 Grade 5	2
04-95033-125	Bolt, 3/8-24 x 1 1/4 Grade5	24
04-95033-150	Bolt, 3/8-24 x 1 1/2 Grade5	110
04-95504	Locknut, 3/8-24	124
04-95535	Locknut, 3/8-24, SS18-8	10
04-96002	Washer, 3/8, SS	10
04-95119-125	Bolt, 1/2-13 x 1 1/4 Grade8	8
04-95579	Locknut, 1/2-13	8
01-26766-001	Bar, 1/4 x 4	2
04-60102	Clip, Tube 3/8	10
04-60023	Clip, Tube 5/8	10
04-98056	Rivet, 3/16	20
04-85039	Tie, Cable	10
04-86825	Loom, Convolutd	10 ft
04-26885	Cover	1
04-97078	Rivet, 3/16	14

Tools

- Welding Equipment
- Drill
- Torch
- Grinder
- Lift or Jack
- Rivet Gun, with Chisel Head

Procedure

1. Drill out rivets holding electrical wiring and airlines in king pin to hopper area.
2. Pull all wiring and airlines behind the crossmember directly in front of the landing gear, so it is out of the way (Fig 9).
3. Remove rivets connecting front hopper slope to aluminum crossmember ahead of landing gear (Fig 10). Drill out rivets from inside hopper

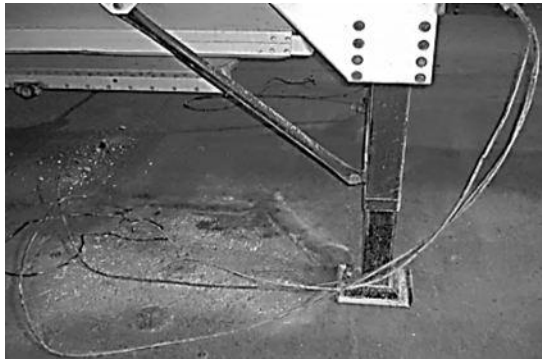


Figure 9



Figure 10

4. Remove all the fasteners connecting diagonal cross-braces to front and rear attachment plates (Fig 11).



Figure 11

5. Remove both diagonal cross-braces.

6. Remove fasteners along bottom rail (Fig 12):
 - a. Remove all fasteners from 44" to 112" from front of rail.

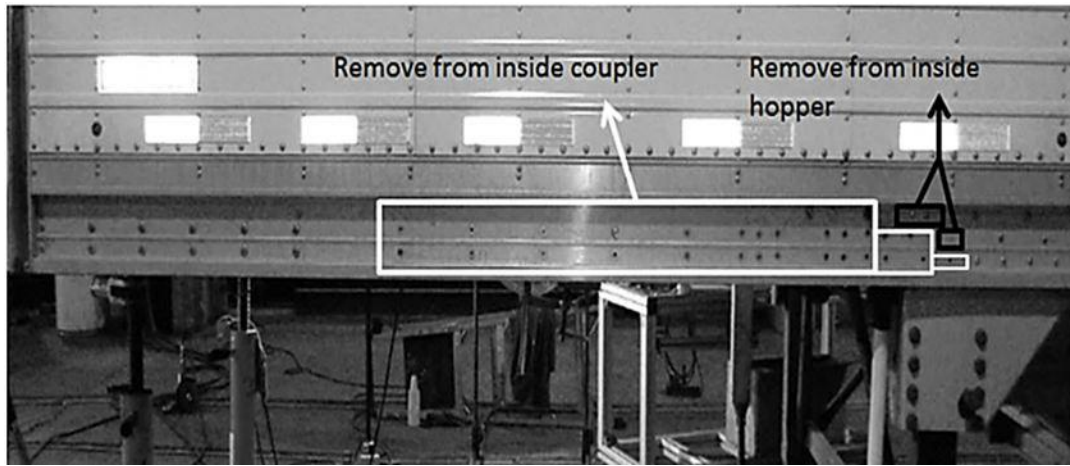


Figure 12

7. Using a torch remove the steel crossmember just forward of the hopper(Fig 13).
 - a. Make the cut directly inside of the plate where the diagonal cross-brace attached.
8. Remove both bolts attaching center landing gear brace from the middle of the rear Aluminum crossmember (Fig 14).
9. Remove the 3 fasteners that attach the landing gear bracket on the outsides of the rear aluminum crossmember at both ends (Fig 15).

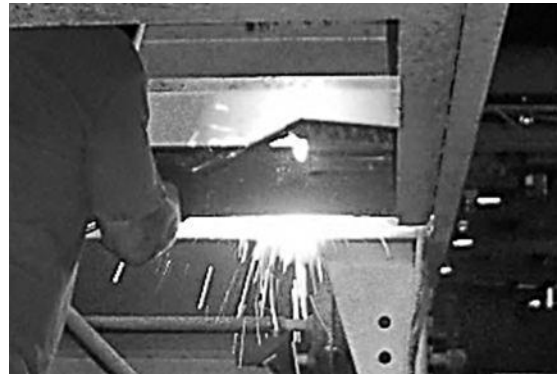


Figure 13



Figure 14



Figure 15

10. Remove the entire rear section of coupler, including the rear crossmember.
 - a. Cut off side channels 37" from the landing gear bracket (Fig 16).
 - b. **Note:** Diagonal Cross beams shown in Fig 16 for reference. They will not be attached at this point in procedure
 - c. Notch the horizontal legs of the steel side channel (Fig 17) and then use grinder with cut off disc to cut the vertical portion (Fig 17 and 18)
 - i. Prior to cutting channel with the grinder separate the steel channel from the aluminum bottom rail by inserting a spacer. CAUTION: do not cut into rail.

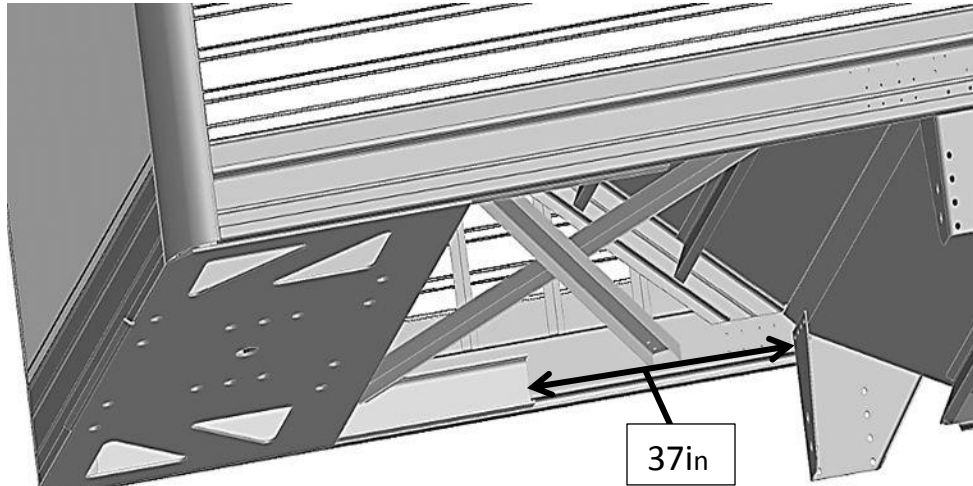


Figure 16



Figure 17

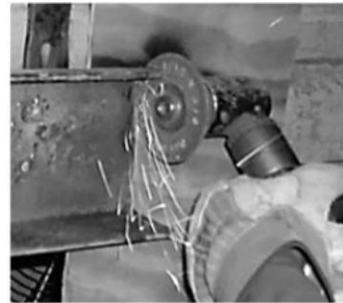


Figure 18

11. Smooth and square off cut with a grinder.
12. Wipe down the cut edges and prime.
13. Locate and temporarily attach Doubler Plate (01-26791) to outside rail.
 - a. Line up the four pre-drilled holes to four forward most holes in the landing gear bracket.
 - b. Back drill all holes through the doubler plate from the lower rail. Note: Some will be from inside the hopper.
 - c. Remove the drilled doubler plate

14. Clean inside surface of rail that is now exposed and apply barrier tape, were new crossmember assembly will be attached for corrosion protection (clear packing tape is acceptable).



Figure 19



Figure 20

15. Lift the crossmember assembly (SK-07728, Fig 19) into place (Fig 20).
 - a. CAUTION: This unit weighs 181.5lbs. Use appropriate lifting methods
Note: Lifting device design (SK-07774) is available to accommodate lifting into place.
 - b. Position the back end of the assembly up against the hopper slope and against the landing gear bracket. (Fig 21).
 - c. Confirm that the unit is firmly pressed all the way back against the hopper and forward face of landing gear bracket.

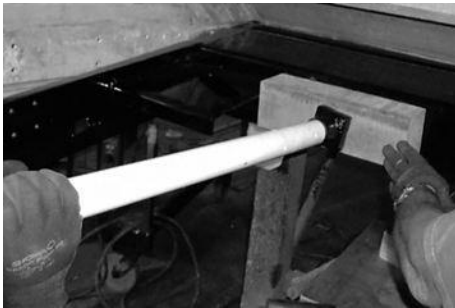


Figure 21



Figure 22



Figure 23

16. Lift the front end of the sub-assembly unit up adjacent to the original coupler frame and flush with the bottom of the rail (Fig 22 and 23).
17. Attach the sub-assembly at the landing gear bracket.
 - a. Use 3/8 x 1 1/4in bolts (Fig 24).
18. Install reinforcement channel (01-26780) centered at splice (Fig 25 and 26).
 - a. Align the set of six holes on one side of the channel with the six holes in the sub-assembly.
 - b. Back drill all holes through coupler and bottom rail from the splice channel, 13/32 dia.



Figure 24

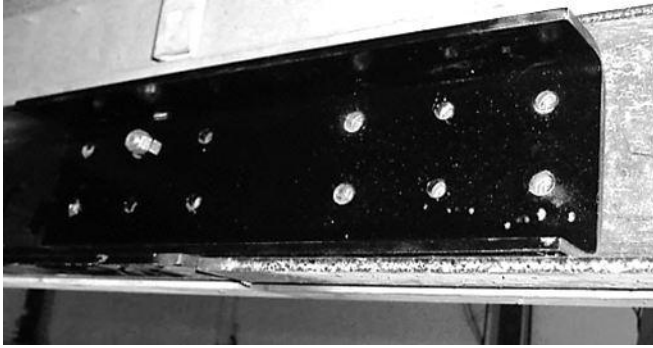


Figure 25



Figure 26

19. Back drill all the holes from the lower rail into the new sub-assembly and into doubler plates (01-26951-100 and 01-26951-200), 13/32 dia.

20. Assemble the doubler plates to the lower rail to the new crossmember assembly with 3/8 bolts and nuts (04-95033 and 04-95504).

Torque to 35 ft-lbs.

- a. Caulk inside of doubler plate along each end and top prior to attaching.
- b. Install a filler plate (SK-07775) at back of the new crossmember assembly inside the hopper. Trim as required.
- c. Use 3/8 x 1 1/4 bolts at landing gear bracket and inside hopper and use 3/8 x 1 1/2 elsewhere (Fig 27).

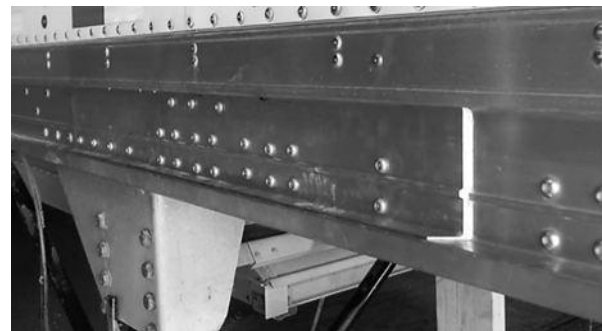


Figure 27

NOTE: Doubler plate has been changed to extend to front of trailer

21. Drill 5/16in holes from the hopper to the crossmember sub-assembly (where the rivets were removed in step 3).

- a. Install 5/16 x 1 1/4 machine screws, heads inside hopper. Torque nut on outside of hopper to 12 ft-lb.

22. Install the diagonal cross-braces (removed in step 5).

- a. Clamp the diagonal cross-braces to new sub-assembly unit into place. Align slot for welding (Fig 28).
- b. Use one 3/8in bolt at the other end of the cross-brace to hold in place (Figure 29).
- c. Drill out the remaining three holes to 17/32in diameter.
- d. Install 1/2in-13 X 1 1/4 grade 8 bolts (04-95119-125).
- e. Remove the 3/8in bolt drill out to 17/32in diameter and install 1/2in bolt.



Figure 28

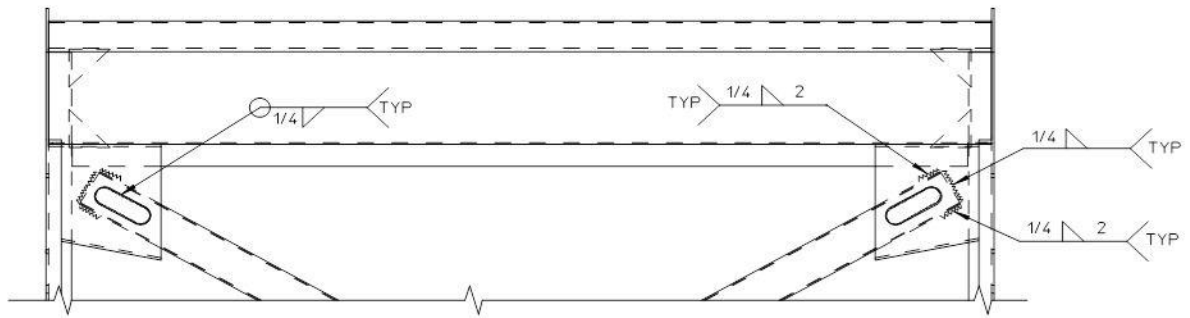


Figure 29

23. Weld the diagonal cross-braces to the sub-assembly unit as shown in Fig 29.
24. Locate gusset (01-26766-001) under the bolted end of the cross bracing (Figure 30). Gusset to tie side channels to main beam of coupler. Locate at the top of the side channel bottom inside radius. Weld across top of gusset, full $\frac{1}{4}$ ".



Figure 30

25. Feed wires and airlines back through the coupler.
 - a. Be sure to pull wires tightly to ensure they reach all connections
 - b. Reattach the wires and airlines back to the side wall
 - c. Reconnect all wiring
 - d. Check functioning of electrical and air
26. Clean welded areas and apply protective coating
27. Calk inside the hopper and the edges of the doubler plate to ensure the area is properly sealed.

Cover Installation

1. Center cover (04-26885) with the short leg of the bend facing up and against the lower most Z-crossmember on the slope (Fig 31).
2. Notch as required at each end where the cover meets the slope extrusion at the sidewalls. Clamp or hold in place.
3. Drill 8 holes across the top (7 equal spaces), 6 holes across the bottom (5 equal spaces). All holes to be .204 dia.
 - a. Maintain a minimum of 1" from any hole to any cover edge (fig 32).
4. Install 14 rivets (04-97078).



Figure 31



Figure 32

Appendix A.
Repairs

Appendix A.1:

Repair procedure for all trailers found to have cracked side posts at bottom of front hopper slope. (Inspection #4).

<u>Part Number</u>	<u>Description</u>	<u>Quantity</u>
SK-07770 - Kit	Channel Reinforcement Plate	1

Tools

- Drill
 - Rivet Gun with Chisel Head

Procedure

1. Disconnect wiring and pull it out of broken post.
2. Remove the lower two (2) fasteners connecting the forward slope side extrusion to the side post (Fig. A1).
3. Remove the fastener at the top of the rail adjacent to the post
4. Cut reinforcement channel (SK-07770) to required length (approx. 12”).
5. Push channel into place.
 - a. Use a hammer to ensure the channel is all the way back against the broken side post.
6. Drill holes from:
 - a. Reinforcement plate to broken side post, one toward the bottom and one toward the top (Fig. A2 & A3).
 - b. Outside bottom rail into reinforcement plate and one (1) additional 1” below.
 - c. Inside forward slope side extrusion into reinforcement plate
7. Fasten the reinforcement plate into place (Fig. A3 and A4).
8. Reconnect Wiring



Figure A1



Figure A2



Figure A3



Figure A4

Appendix A.2:

Repair procedure for all trailers found to have cracking on the forward slope side extrusion rail at rivet. (Inspection #5).

- This repair must be done after upgrade

<u>Part Number</u>	<u>Description</u>	<u>Quantity</u>
SK-07148	Plate	2

Tools

- Drill
 - 1/4in bit (may require others at times)
 - Rivet Gun with Chisel head

Procedure

1. Remove approximately 1.5” of the rib at the bottom of the slope extrusion.
2. Clamp the reinforcement bracket on the flat part of the rail
 - a. Ensure that it cannot move
3. From the outside of the trailer use the existing holes in the rail to drill thru the reinforcement plate.
4. Fasteners will be installed during the upgrade procedure (Fig. A6).

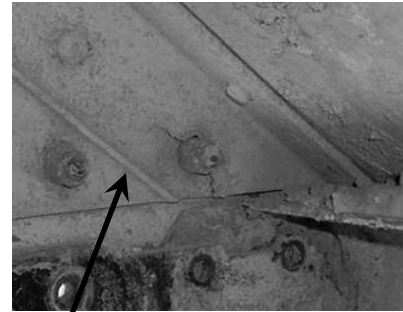


Figure A5

Rib

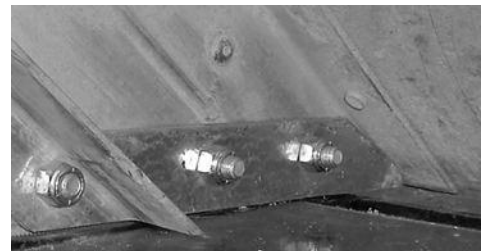


Figure A6

Appendix A.3:

Repair procedure for all trailers found to have cracking or loose fasteners on the Z post (Inspection #7).

<u>Part Number</u>	<u>Description</u>	<u>Quantity</u>
SK-07124 - Kit	Clip	2

Tools

- Drill
- Rivet Gun
 - With Chisel Head

Procedure

1. Remove the rivet attaching the side extrusion to the Z crossmember, where crack has occurred.
2. Place the repair clip in position over crack and install a single bolt through the Z post, side extrusion, and repair clip.
3. Ensure that the clip is properly aligned with the Z post.
 - a. Tighten the lock nut to stabilize the repair clip to the Z post.
4. Drill out the remaining holes on the repair clip using a 1/4in drill bit.
5. Install the bolts in the remaining holes and tighten all locknuts (Fig A7).



Figure A7

Appendix B.

Stoughton Ag Hopper Trailers Subject To Upgrade

Model Year 2009 Stoughton Ag Hopper Trailers With Aluminum Crossmember on Front Hopper
Vehicle Identification Numbers

Page 1 of 2

1DW1A40209S078901	1DW1A40279S125504	1DW1A422X9S125610	1DW1A40299S137802	1DW1A402X9S142913
1DW1A402X9S087301	1DW1A40299S125505	1DW1A42219S125611	1DW1A40209S137803	1DW1A40219S142914
1DW1A42279S108201	1DW1A40209S125506	1DW1A42239S125612	1DW1A40229S137804	1DW1A40239S142915
1DW1A42299S108202	1DW1A40229S125507	1DW1A42259S125613	1DW1A40249S137805	1DW1A40259S143001
1DW1A42209S108203	1DW1A40249S125508	1DW1A42279S125614	1DW1A40269S137806	1DW1A40279S143002
1DW1A42229S108204	1DW1A40269S125509	1DW1A42299S125615	1DW1A40289S137807	1DW1A40299S143003
1DW1A42249S108205	1DW1A40229S125510	1DW1A40299S126301	1DW1A402X9S137808	1DW1A40209S143004
1DW1A42269S108206	1DW1A40249S125511	1DW1A40209S126302	1DW1A40219S137809	1DW1A40229S143005
1DW1A42289S108207	1DW1A40269S125512	1DW1A422X9S126501	1DW1A40289S137810	1DW1A40249S143006
1DW1A422X9S108208	1DW1A40289S125513	1DW1A42239S126601	1DW1A42249S137901	1DW1A40269S143007
1DW1A42219S108209	1DW1A402X9S125514	1DW1A42259S126602	1DW1A42269S137902	1DW1A40289S143008
1DW1A42269S108210	1DW1A40219S125515	1DW1A40299S128901	1DW1A42289S137903	1DW1A40219S143009
1DW1A42209S108301	1DW1A40239S125516	1DW1A40219S128902	1DW1A422X9S137904	1DW1A40269S143010
1DW1A42229S108302	1DW1A40259S125517	1DW1A40239S128903	1DW1A42219S137905	1DW1A40289S143011
1DW1A42249S108303	1DW1A40279S125518	1DW1A40259S128904	1DW1A42239S137906	1DW1A402X9S143012
1DW1A40269S108304	1DW1A40299S125519	1DW1A40279S128905	1DW1A42259S137907	1DW1A40229S143013
1DW1A42289S108305	1DW1A40259S125520	1DW1A40299S129201	1DW1A42279S137908	1DW1A40239S143014
1DW1A422X9S108306	1DW1A40279S125521	1DW1A42289S129901	1DW1A42299S137909	1DW1A40259S143015
1DW1A42219S108307	1DW1A40299S125522	1DW1A422X9S129902	1DW1A42259S137910	1DW1A40299S143101
1DW1A42239S108308	1DW1A40209S125523	1DW1A40269S130001	1DW1A40229S138001	1DW1A40209S143102
1DW1A42259S108309	1DW1A40229S125524	1DW1A402X9S131801	1DW1A40249S138002	1DW1A40229S143103
1DW1A42219S108310	1DW1A40249S125525	1DW1A40219S131802	1DW1A40269S138003	1DW1A40249S143104
1DW1A40229S115401	1DW1A40269S125526	1DW1A40239S131803	1DW1A40289S138004	1DW1A40269S143105
1DW1A40249S115402	1DW1A40289S125527	1DW1A40259S131804	1DW1A402X9S138005	1DW1A40289S143106
1DW1A40269S115403	1DW1A402X9S125528	1DW1A40279S131805	1DW1A40269S138101	1DW1A40229S143107
1DW1A40289S115404	1DW1A40219S125529	1DW1A40239S131901	1DW1A40289S138102	1DW1A40219S143108
1DW1A402X9S115405	1DW1A40289S125530	1DW1A40259S131902	1DW1A402X9S138103	1DW1A40239S143109
1DW1A40219S115406	1DW1A402X9S125531	1DW1A40279S131903	1DW1A40219S138104	1DW1A402X9S143110
1DW1A40239S115407	1DW1A40219S125532	1DW1A40299S131904	1DW1A40239S138105	1DW1A40229S143201
1DW1A40259S115408	1DW1A40239S125533	1DW1A40209S131905	1DW1A402X9S138201	1DW1A40249S143202
1DW1A40279S115409	1DW1A40259S125534	1DW1A40229S131906	1DW1A40219S138202	1DW1A40269S143203
1DW1A40239S115410	1DW1A40279S125535	1DW1A40249S131907	1DW1A40239S138203	1DW1A40289S143204
1DW1A40269S115501	1DW1A40299S125536	1DW1A40269S131908	1DW1A40259S138204	1DW1A40229S143205
1DW1A40289S115502	1DW1A40209S125537	1DW1A40289S131909	1DW1A40279S138205	1DW1A422X9S143301
1DW1A402X9S115503	1DW1A40229S125538	1DW1A40249S131910	1DW1A40239S138301	1DW1A42219S143302
1DW1A40219S115504	1DW1A40249S125539	1DW1A40269S131911	1DW1A40259S138302	1DW1A42239S143303
1DW1A40239S115505	1DW1A40209S125540	1DW1A40289S131912	1DW1A40279S138303	1DW1A42259S143304
1DW1A40259S115506	1DW1A40229S125541	1DW1A402X9S131913	1DW1A40299S138304	1DW1A42279S143305
1DW1A40279S115507	1DW1A40249S125542	1DW1A40219S131914	1DW1A40209S138305	1DW1A42299S143306
1DW1A40299S115508	1DW1A40269S125543	1DW1A40239S131915	1DW1A42209S138401	1DW1A42209S143307
1DW1A40209S115509	1DW1A40289S125544	1DW1A40259S131916	1DW1A42229S138402	1DW1A42229S143308
1DW1A40279S115510	1DW1A402X9S125545	1DW1A40279S131917	1DW1A42249S138403	1DW1A42249S143309
1DW1A42259S119701	1DW1A40219S125546	1DW1A40299S131918	1DW1A42269S138404	1DW1A42209S143310
1DW1A42279S119702	1DW1A40239S125547	1DW1A40209S131919	1DW1A42289S138405	1DW1A42239S143401
1DW1A40249S123001	1DW1A40259S125548	1DW1A40279S131920	1DW1A42249S138501	1DW1A42259S143402
1DW1A40269S123002	1DW1A40279S125549	1DW1A40299S131921	1DW1A42269S138502	1DW1A42279S143403
1DW1A40289S123003	1DW1A40239S125550	1DW1A40209S131922	1DW1A42289S138503	1DW1A42299S143404
1DW1A402X9S123004	1DW1A40259S125551	1DW1A40229S131923	1DW1A422X9S138504	1DW1A42209S143405
1DW1A40219S123005	1DW1A40279S125552	1DW1A40249S131924	1DW1A42219S138505	1DW1A42239S144001
1DW1A40239S123006	1DW1A40299S125553	1DW1A40269S131925	1DW1A40299S142501	1DW1A40229S144401
1DW1A40259S123007	1DW1A40209S125554	1DW1A402X9S132401	1DW1A40209S142502	1DW1A42219S144501
1DW1A422X9S123601	1DW1A40229S125555	1DW1A40219S132402	1DW1A40229S142503	1DW1A42219S145101
1DW1A40219S124901	1DW1A40249S125556	1DW1A40239S132403	1DW1A40249S142504	1DW1A42259S147501
1DW1A40239S124902	1DW1A40269S125557	1DW1A40259S132404	1DW1A40269S142505	1DW1A40289S148001
1DW1A40259S124903	1DW1A40289S125558	1DW1A40279S132405	1DW1A40239S142901	1DW1A402X9S148002
1DW1A40279S124904	1DW1A402X9S125559	1DW1A40239S137701	1DW1A40259S142902	1DW1A40219S148003
1DW1A40299S124905	1DW1A40269S125560	1DW1A40259S137702	1DW1A40279S142903	1DW1A40239S148004
1DW1A40209S124906	1DW1A42299S125601	1DW1A40279S137703	1DW1A40299S142904	1DW1A40259S148005
1DW1A40229S124907	1DW1A42209S125602	1DW1A40299S137704	1DW1A40209S142905	1DW1A40279S148006
1DW1A40249S124908	1DW1A42229S125603	1DW1A40209S137705	1DW1A40229S142906	1DW1A40299S148007
1DW1A40269S124909	1DW1A42249S125604	1DW1A40229S137706	1DW1A40249S142907	1DW1A40209S148008
1DW1A40229S124910	1DW1A42269S125605	1DW1A40249S137707	1DW1A40269S142908	1DW1A40229S148009
1DW1A40249S125301	1DW1A42289S125606	1DW1A40269S137708	1DW1A40289S142909	1DW1A40299S148010
1DW1A40219S125501	1DW1A422X9S125607	1DW1A40289S137709	1DW1A40249S142910	1DW1A40279S149401
1DW1A40239S125502	1DW1A42219S125608	1DW1A40249S137710	1DW1A40269S142911	1DW1A42249S152401
1DW1A40259S125503	1DW1A42239S125609	1DW1A40279S137801	1DW1A40289S142912	1DW1A42269S152402

Model Year 2009 Stoughton Ag Hopper Trailers With Aluminum Crossmember on Front Hopper
Vehicle Identification Numbers

Page 2 of 2

1DW1A42289S152403	1DW1A42249S166301	1DW1A40229S169829	1DW1A40239S175512
1DW1A40299S153501	1DW1A42269S166302	1DW1A40299S169830	1DW1A40259S175513
1DW1A402X9S156701	1DW1A42289S166303	1DW1A40209S169831	1DW1A40279S175514
1DW1A40219S156702	1DW1A42289S166401	1DW1A40229S169832	1DW1A40299S175515
1DW1A40239S156703	1DW1A40219S166601	1DW1A40249S169833	1DW1A40209S175516
1DW1A40259S156704	1DW1A40239S166602	1DW1A40269S169834	1DW1A40229S175517
1DW1A40279S156705	1DW1A42299S166701	1DW1A40289S169835	1DW1A40249S175518
1DW1A40299S156706	1DW1A42209S166702	1DW1A4226AS171701	1DW1A40269S175519
1DW1A40209S156707	1DW1A40239S167801	1DW1A40279S172001	
1DW1A40229S156708	1DW1A40259S167802	1DW1A40299S172002	
1DW1A40249S156709	1DW1A40279S167803	1DW1A40209S172003	
1DW1A40209S156710	1DW1A40299S167804	1DW1A40229S172004	
1DW1A40229S156711	1DW1A40209S167805	1DW1A40249S172005	
1DW1A40249S156712	1DW1A42209S167901	1DW1A40269S172006	
1DW1A40269S156713	1DW1A42229S167902	1DW1A40289S172007	
1DW1A40289S156714	1DW1A42249S167903	1DW1A402X9S172008	
1DW1A402X9S156715	1DW1A42269S167904	1DW1A40219S172009	
1DW1A42239S160201	1DW1A42289S167905	1DW1A40289S172010	
1DW1A40279S161001	1DW1A40299S168001	1DW1A402X9S172011	
1DW1A40299S161002	1DW1A40209S168002	1DW1A40219S172012	
1DW1A40209S161003	1DW1A40239S168401	1DW1A40239S172013	
1DW1A402X9S162501	1DW1A40259S168402	1DW1A40259S172014	
1DW1A40219S162502	1DW1A40279S168403	1DW1A40279S172015	
1DW1A40279S162701	1DW1A40299S168404	1DW1A40299S172016	
1DW1A40299S162702	1DW1A40209S168405	1DW1A40209S172017	
1DW1A40209S162703	1DW1A40229S168406	1DW1A40229S172018	
1DW1A40229S162704	1DW1A40249S168407	1DW1A40249S172019	
1DW1A40249S162705	1DW1A40279S168501	1DW1A40209S172020	
1DW1A40269S162706	1DW1A40299S168502	1DW1A40229S172021	
1DW1A40289S162707	1DW1A40209S168503	1DW1A40249S172022	
1DW1A402X9S162708	1DW1A40229S168504	1DW1A40269S172023	
1DW1A40219S162709	1DW1A40249S168505	1DW1A40289S172024	
1DW1A40289S162710	1DW1A40269S168506	1DW1A402X9S172025	
1DW1A402X9S162711	1DW1A40289S168507	1DW1A40219S172026	
1DW1A40219S162712	1DW1A402X9S168508	1DW1A40239S172027	
1DW1A40239S162713	1DW1A40219S168509	1DW1A40259S172028	
1DW1A40259S162714	1DW1A40289S168510	1DW1A40279S172029	
1DW1A40279S162715	1DW1A42289S169301	1DW1A40239S172030	
1DW1A40209S162801	1DW1A40229S169801	1DW1A40259S172031	
1DW1A40229S162802	1DW1A40249S169802	1DW1A40279S172032	
1DW1A40249S162803	1DW1A40269S169803	1DW1A40299S172033	
1DW1A40269S162804	1DW1A40289S169804	1DW1A40209S172034	
1DW1A40289S162805	1DW1A402X9S169805	1DW1A40229S172035	
1DW1A42289S162901	1DW1A40219S169806	1DW1A40249S172036	
1DW1A422X9S162902	1DW1A40239S169807	1DW1A4020AS172801	
1DW1A42219S162903	1DW1A40259S169808	1DW1A40219S174701	
1DW1A42239S162904	1DW1A40279S169809	1DW1A40239S174702	
1DW1A42259S162905	1DW1A40239S169810	1DW1A40259S174703	
1DW1A422X9S163001	1DW1A40259S169811	1DW1A40279S174704	
1DW1A42219S163002	1DW1A40279S169812	1DW1A40299S174705	
1DW1A42239S163003	1DW1A40299S169813	1DW1A40209S174706	
1DW1A42259S163004	1DW1A40209S169814	1DW1A40229S174707	
1DW1A42279S163005	1DW1A40229S169815	1DW1A40249S174708	
1DW1A3429AS163101	1DW1A40249S169816	1DW1A40269S174709	
1DW1A42279S163201	1DW1A40269S169817	1DW1A40229S174710	
1DW1A40279S163301	1DW1A40289S169818	1DW1A40299S175501	
1DW1A40209S163401	1DW1A402X9S169819	1DW1A40209S175502	
1DW1A42229S164501	1DW1A40269S169820	1DW1A40229S175503	
1DW1A42269S164601	1DW1A40289S169821	1DW1A40249S175504	
1DW1A422X9S164701	1DW1A402X9S169822	1DW1A40269S175505	
1DW1A42279S164901	1DW1A40219S169823	1DW1A40289S175506	
1DW1A42299S165001	1DW1A40239S169824	1DW1A402X9S175507	
1DW1A40299S165101	1DW1A40259S169825	1DW1A40219S175508	
1DW1A40209S165102	1DW1A40279S169826	1DW1A40239S175509	
1DW1A40229S165103	1DW1A40299S169827	1DW1A402X9S175510	
1DW1A40249S165104	1DW1A40209S169828	1DW1A40219S175511	

[Type text]

Model Year 2010 Stoughton Ag Hopper Trailers With Aluminum Crossmember on Front Hopper
 Vehicle Identification Numbers

1DW1A402XAS176001	1DW1A3426AS176503	1DW1A4027AS179602	1DW1A4021AS188103	1DW1A4024AS192405
1DW1A4023AS176101	1DW1A3428AS176504	1DW1A4022AS179801	1DW1A4023AS188104	1DW1A4024AS192601
1DW1A4025AS176102	1DW1A342XAS176505	1DW1A4225AS180101	1DW1A4025AS188105	1DW1A4029AS194201
1DW1A4027AS176103	1DW1A3421AS176506	1DW1A4226AS180401	1DW1A4222AS188401	1DW1A4020AS194202
1DW1A4029AS176104	1DW1A3423AS176507	1DW1A422XAS180501	1DW1A4224AS188402	1DW1A4022AS194203
1DW1A4020AS176105	1DW1A3425AS176508	1DW1A4022AS181001	1DW1A4226AS188403	1DW1A4024AS194204
1DW1A4022AS176106	1DW1A3427AS176509	1DW1A4025AS184801	1DW1A4226AS188501	1DW1A4026AS194205
1DW1A4024AS176107	1DW1A3423AS176510	1DW1A4027AS184802	1DW1A4228AS188502	1DW1A4028AS194206
1DW1A4026AS176108	1DW1A3426AS176601	1DW1A4029AS184803	1DW1A422XAS188601	1DW1A402XAS194207
1DW1A4028AS176109	1DW1A3428AS176602	1DW1A4020AS184804	1DW1A402XAS188701	1DW1A4023AS194601
1DW1A4024AS176110	1DW1A342XAS176603	1DW1A4022AS184805	1DW1A4021AS188702	1DW1A4025AS196401
1DW1A4027AS176201	1DW1A3421AS176604	1DW1A4024AS184806	1DW1A4023AS188801	1DW1A4021AS200301
1DW1A4029AS176202	1DW1A3423AS176605	1DW1A4029AS184901	1DW1A4025AS188802	1DW1A4026AS200701
1DW1A4020AS176203	1DW1A3425AS176606	1DW1A4020AS184902	1DW1A4028AS189801	1DW1A402XAS200801
1DW1A4022AS176204	1DW1A3427AS176607	1DW1A4023AS186501	1DW1A4029AS190701	1DW1A4023AS200901
1DW1A4024AS176205	1DW1A3429AS176608	1DW1A4025AS186502	1DW1A4023AS191701	1DW1A4027AS201601
1DW1A4224AS176301	1DW1A3420AS176609	1DW1A4027AS186503	1DW1A4025AS191702	1DW1A4227AS202101
1DW1A4226AS176302	1DW1A3427AS176610	1DW1A4027AS186601	1DW1A4027AS192401	<u>1DW1A4025AS203301</u>
1DW1A4228AS176401	1DW1A4021AS179501	1DW1A4020AS187301	1DW1A4029AS192402	
1DW1A3422AS176501	1DW1A4023AS179502	1DW1A4028AS188101	1DW1A4020AS192403	
1DW1A3424AS176502	1DW1A4025AS179601	1DW1A402XAS188102	1DW1A4022AS192404	

Last 2010 Ag Hopper Trailer with aluminum crossmember on forward side of front hopper



REPAIR DOCUMENT

Ag Hopper Trailer – Susp Subframe Front Attachment Upgrade

Repair Document #: **RD-00040**
Date: March 15, 2013
Revision: None
Revision Date: N/A

Reference Recall No.:

US NHTSA Recall No. 13V-025
Transport Canada Recall No. 2013-036

Contact Information:

If you have any questions about this Repair Document please contact the Stoughton Trailers Customer Service Department by telephone (608)-873-2555 or by email (warranty@stoughtontrailers.com).

Subject:

Recommended repair procedure for Ag Hopper trailers front attachment that connects the suspension subframe to the aft hopper rear crossmember. The upgrade on Model Years 2009, 2010 and 2011 STOUGHTON Ag Hopper trailers will eliminate problems with front attachment cracking and improve longitudinal stability of the suspension subframe.

Models:

Trailers that qualify for this upgrade can be identified by the following:

1. Model: AHV
2. Model Years: 2009,2010,2011
 - a. VIN Model Year Date Codes of 9,A, &B
3. Date of Manufacture: December 2007 thru October 2010.
4. Reference Appendix A for a complete list of units covered.
5. Order numbers covered are within the range of 0789 to 22707.

Code	Year	Code	Year
Y =	2000	A =	2010
1 =	2001	B =	2011
2 =	2002	C =	2012
3 =	2003	D =	2013
4 =	2004	E =	2014
5 =	2005	F =	2015
6 =	2006	G =	2016
7 =	2007	H =	2017
8 =	2008	J =	2018
9 =	2009	K =	2019

Figure 1: Model Year Date Code

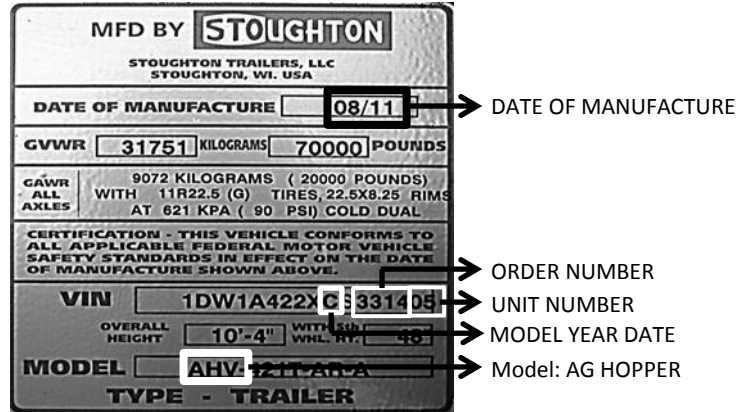


Figure 2: Stoughton Trailers

Issue:

The repair and upgrade addresses the fore and aft stability of the suspension subframe that has caused cracking in early versions of the front attachments that connect the front of the subframe channels to the aft hopper crossmember. The repair is to remove the first and second versions of the front attachment and replace with the third version with additional reinforcements.

Front Attachment Background:

Model year 2009 trailers and part of Model year 2010 trailers were built with the first version of the suspension subframe front attachment (part #01-24236). In the middle of Model year 2010 we changed over to the second version of the front attachment (part # 17-04999) which we continued to use until the end of Model year 2011.

The first version front attachment (part #01-24236) developed cracks in the vertical bend line after only a short period of time. When this problem was first identified Stoughton recommended replacing the first version front attachment with the second version front attachment.

The second version front attachment (part# 17-04999) was implemented in mid Model year 2010. After being placed in service the second version of our front attachment also developed problems with cracking, this time in the horizontal plane where it was welded to the attachment channel. When the problem with the second version was found Stoughton recommended changing any cracked first or second version front attachment to the third version of the front attachments.

The third version front attachment (part# 17-05096) was implemented at the start of Model year 2012. Trailers originally built with the third version front attachment are not part of the recall for this repair.

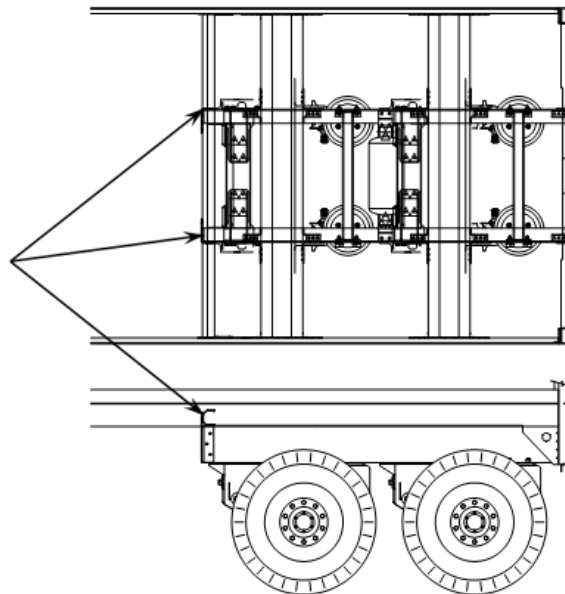
Trailers originally built with the first or second version front attachment are subject to this recall repair, regardless if they have had the front attachment previously changed. Even if they already have the third version of the front attachment installed they must now also have additional reinforcement added (part #'s 01-27008 & 01-27009). This provides additional connecting surface from the aluminum crossmember to the suspension subframe.

Remedy:

All trailers with the first or second version of subframe front attachment must be converted to the 3rd version, and then additional reinforcements added to complete the upgrade.

The repairs and upgrades must be performed by a Stoughton Trailer Ag Hopper dealer or an authorized repair shop.

The upgrade will be performed at the front of the suspension main channels where it attaches to the aft hopper rear aluminum crossmember. See below.



Warning:

During all steps of the repair and upgrade procedures one must use appropriate safety precautions.

- Use personal safety equipment when working on any trailer (i.e. safety glasses, hearing protection, safety shoes, etc.).
- Trailer must be supported at all times to prevent movement throughout the upgrade process.
 - Check to insure landing gear is in proper working order and providing proper support prior to upgrade.
- The trailer must be empty before any repairs or upgrades are made.

Parts Required:

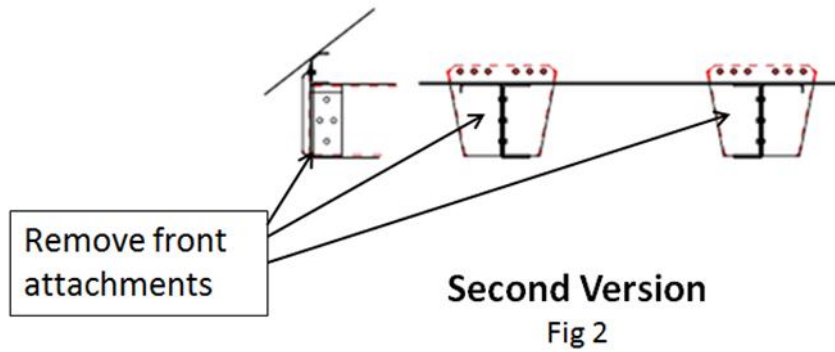
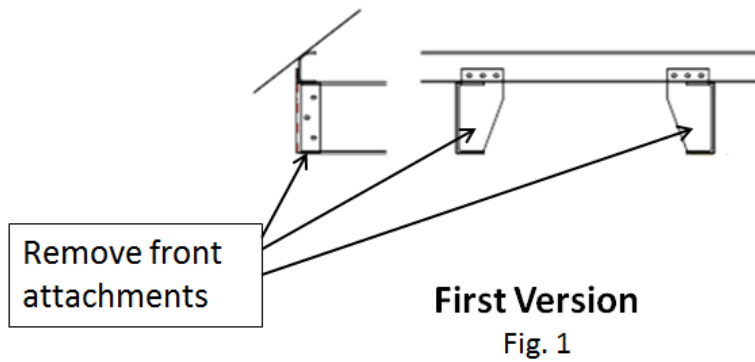
<u>Part Number</u>	<u>Description</u>	<u>Quantity</u>
01-27008	Reinforcement Angle	1
01-27009	Shear Plate	1
04-95033-125	CSCR, BH TX, 3/8-24 x 1-1/4, Grade 5	40
04-95504	LKNUT, HEX, 3/8-24, NE-Nylon insert	40
04-85011-001	Barrier Tape, 2" Wide 7.5mil Thick	8ft
17-05096	Bracket Assembly	2

Tools

- Drill
- Grinder
- Rivet Gun, with Chisel Head
- Wrenches and socket set

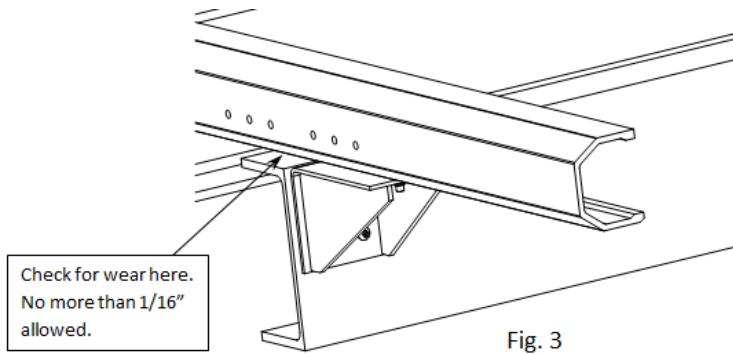
Procedure:

1. Trailers with the first or second version of the front attachment connecting the subframe channels to the hopper crossmember must have the front attachment parts removed (Fig. 1 & 2).

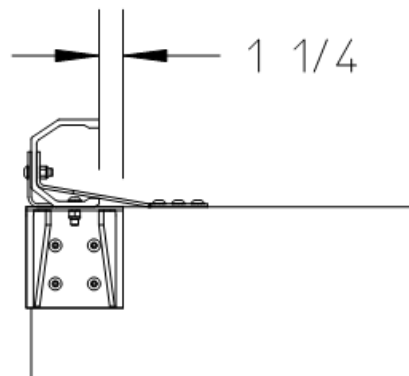
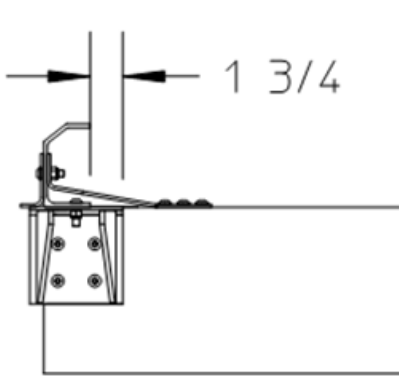


2.

3. Check aluminum crossmember for damage:
 - a. If the aluminum crossmember, where it contact the suspension subframe, shows wear of .060" or more, it must be replaced (see Fig. 3).
 - b. If the aluminum crossmember has any cracks in it, it must be replaced.
 - c. Contact Stoughton Customer Service for replacement parts.



4. If the third version of the front attachments (17-05096) has already been retrofitted, leave them in place (Fig 3).
5. Install Barrier tape (04-85011-001) to the aluminum crossmember where ever steel parts will come in contact as a corrosion barrier.
6. If the third version of the front attachments (17-05096) has not been installed, it should be installed now using bracket holes as drill guide. Use bolts 04-95033-125 (head on top) and nuts 04-95504. The position of these brackets will vary according to the type of aluminum crossmember in place (Fig. 4 & 5). Model year 2009 trailers used an aluminum crossmember that had a square bottom corner, locate according to Fig. 4. Model years 2010 and 2011 had aluminum crossmembers that had a 45 degree bottom corner, locate according to Fig. 5.



7. Use the existing 3-hole group's in the crossmember, outboard of the suspension subframe, to locate the Shear Plate 01-27009 (fig. 6). The holes in the new reinforcement shear plate should line up with existing holes if the second versions of the front attachment were originally installed. The holes from the first version of the front attachment will be in the correct location side to side but will be too low and will only be used to locate the shear plate side to side. New holes will be drilled above the old ones, 1-13/16" from the bottom of the crossmember to the center of the new holes.

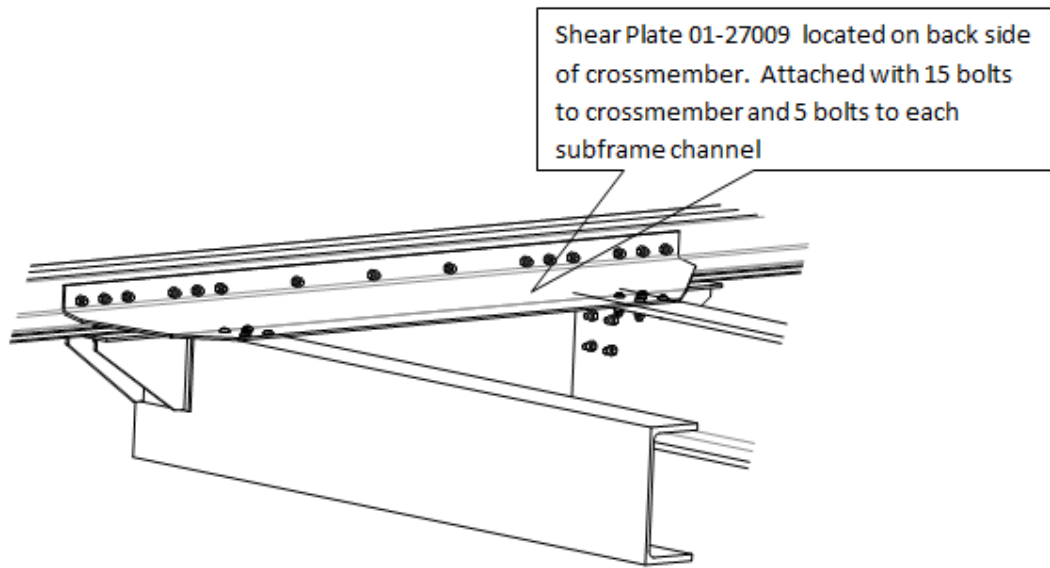


Fig. 6

8. Use the Shear Plate as drill guide to transfer drill holes that do not already exist in the crossmember or that do not line up.
9. Install the Reinforcement Angle 01-27008 to the front of the crossmember (Fig. 7) using the same bolts as the new shear plate. The bolt heads are to be on the front side. Leave nuts & bolts loose until all fasteners are in place and parts are located correctly.
 - a. Model year 2009 trailers with square bottom corner crossmembers will require the leg of the reinforcement angle to extend to the front.
 - b. Model years 2010 and 2011 trailers with 45 degree bottom corner crossmembers will require the leg of the reinforcement angle to extend to the rear under the crossmember as shown in Fig 7.

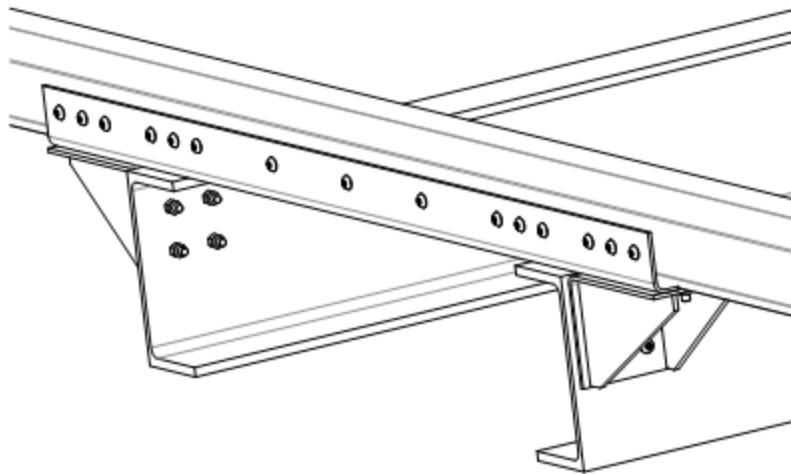


Fig. 7

10. Torque nuts and bolts to 50 ft-lbs.

Appendix B.

Stoughton Ag Hopper Trailers Subject To Upgrade

Model Year 2009 Stoughton Ag Hopper Trailers With Aluminum Crossmember on Front Hopper
Vehicle Identification Numbers

Page 1 of 2

1DW1A40209S078901	1DW1A40279S125504	1DW1A422X9S125610	1DW1A40299S137802	1DW1A402X9S142913
1DW1A402X9S087301	1DW1A40299S125505	1DW1A42219S125611	1DW1A40209S137803	1DW1A40219S142914
1DW1A42279S108201	1DW1A40209S125506	1DW1A42239S125612	1DW1A40229S137804	1DW1A40239S142915
1DW1A42299S108202	1DW1A40229S125507	1DW1A42259S125613	1DW1A40249S137805	1DW1A40259S143001
1DW1A42209S108203	1DW1A40249S125508	1DW1A42279S125614	1DW1A40269S137806	1DW1A40279S143002
1DW1A42229S108204	1DW1A40269S125509	1DW1A42299S125615	1DW1A40289S137807	1DW1A40299S143003
1DW1A42249S108205	1DW1A40229S125510	1DW1A40299S126301	1DW1A402X9S137808	1DW1A40209S143004
1DW1A42269S108206	1DW1A40249S125511	1DW1A40209S126302	1DW1A40219S137809	1DW1A40229S143005
1DW1A42289S108207	1DW1A40269S125512	1DW1A422X9S126501	1DW1A40289S137810	1DW1A40249S143006
1DW1A422X9S108208	1DW1A40289S125513	1DW1A42239S126601	1DW1A42249S137901	1DW1A40269S143007
1DW1A42219S108209	1DW1A402X9S125514	1DW1A42259S126602	1DW1A42269S137902	1DW1A40289S143008
1DW1A42269S108210	1DW1A40219S125515	1DW1A4029S128901	1DW1A42289S137903	1DW1A40229S143009
1DW1A42209S108301	1DW1A40239S125516	1DW1A40219S128902	1DW1A422X9S137904	1DW1A40269S143010
1DW1A42229S108302	1DW1A40259S125517	1DW1A40239S128903	1DW1A42219S137905	1DW1A40289S143011
1DW1A42249S108303	1DW1A40279S125518	1DW1A40259S128904	1DW1A42239S137906	1DW1A402X9S143012
1DW1A40269S108304	1DW1A40299S125519	1DW1A40279S128905	1DW1A42259S137907	1DW1A40229S143013
1DW1A42289S108305	1DW1A40259S125520	1DW1A40299S129201	1DW1A42279S137908	1DW1A40239S143014
1DW1A422X9S108306	1DW1A40279S125521	1DW1A42289S129901	1DW1A42299S137909	1DW1A40259S143015
1DW1A42219S108307	1DW1A40299S125522	1DW1A422X9S129902	1DW1A42259S137910	1DW1A40299S143101
1DW1A42239S108308	1DW1A40209S125523	1DW1A40269S130001	1DW1A40229S138001	1DW1A40209S143102
1DW1A42259S108309	1DW1A40229S125524	1DW1A402X9S131801	1DW1A40249S138002	1DW1A40229S143103
1DW1A42219S108310	1DW1A40249S125525	1DW1A40219S131802	1DW1A40269S138003	1DW1A40249S143104
1DW1A40229S115401	1DW1A40269S125526	1DW1A40239S131803	1DW1A40289S138004	1DW1A40269S143105
1DW1A40249S115402	1DW1A40289S125527	1DW1A40259S131804	1DW1A402X9S138005	1DW1A40289S143106
1DW1A40269S115403	1DW1A402X9S125528	1DW1A40279S131805	1DW1A40269S138101	1DW1A40229S143107
1DW1A40289S115404	1DW1A40219S125529	1DW1A40239S131901	1DW1A40289S138102	1DW1A40219S143108
1DW1A402X9S115405	1DW1A40289S125530	1DW1A40259S131902	1DW1A402X9S138103	1DW1A40239S143109
1DW1A40219S115406	1DW1A402X9S125531	1DW1A40279S131903	1DW1A40219S138104	1DW1A402X9S143110
1DW1A40239S115407	1DW1A40219S125532	1DW1A40299S131904	1DW1A40239S138105	1DW1A40229S143201
1DW1A40259S115408	1DW1A40239S125533	1DW1A40209S131905	1DW1A402X9S138201	1DW1A40249S143202
1DW1A40279S115409	1DW1A40259S125534	1DW1A40229S131906	1DW1A40219S138202	1DW1A40269S143203
1DW1A40239S115410	1DW1A40279S125535	1DW1A40249S131907	1DW1A40239S138203	1DW1A40289S143204
1DW1A40269S115501	1DW1A40299S125536	1DW1A40269S131908	1DW1A40259S138204	1DW1A40229S143205
1DW1A40289S115502	1DW1A40209S125537	1DW1A40289S131909	1DW1A40279S138205	1DW1A422X9S143301
1DW1A402X9S115503	1DW1A40229S125538	1DW1A40249S131910	1DW1A40239S138301	1DW1A42219S143302
1DW1A40219S115504	1DW1A40249S125539	1DW1A40269S131911	1DW1A40259S138302	1DW1A42239S143303
1DW1A40239S115505	1DW1A40209S125540	1DW1A40289S131912	1DW1A40279S138303	1DW1A42259S143304
1DW1A40259S115506	1DW1A40229S125541	1DW1A402X9S131913	1DW1A40299S138304	1DW1A42279S143305
1DW1A40279S115507	1DW1A40249S125542	1DW1A40219S131914	1DW1A40209S138305	1DW1A42299S143306
1DW1A40299S115508	1DW1A40269S125543	1DW1A40239S131915	1DW1A42209S138401	1DW1A42209S143307
1DW1A40209S115509	1DW1A40289S125544	1DW1A40259S131916	1DW1A42229S138402	1DW1A42229S143308
1DW1A40279S115510	1DW1A402X9S125545	1DW1A40279S131917	1DW1A42249S138403	1DW1A42249S143309
1DW1A42259S119701	1DW1A40219S125546	1DW1A40299S131918	1DW1A42269S138404	1DW1A42209S143310
1DW1A42279S119702	1DW1A40239S125547	1DW1A40209S131919	1DW1A42289S138405	1DW1A42239S143401
1DW1A40249S123001	1DW1A40259S125548	1DW1A40279S131920	1DW1A42249S138501	1DW1A42259S143402
1DW1A40269S123002	1DW1A40279S125549	1DW1A40269S131921	1DW1A42269S138502	1DW1A40229S143403
1DW1A40289S123003	1DW1A40239S125550	1DW1A40209S131922	1DW1A42289S138503	1DW1A42299S143404
1DW1A402X9S123004	1DW1A40259S125551	1DW1A40229S131923	1DW1A422X9S138504	1DW1A42209S143405
1DW1A40219S123005	1DW1A40279S125552	1DW1A40249S131924	1DW1A42219S138505	1DW1A42239S144001
1DW1A40239S123006	1DW1A40299S125553	1DW1A40269S131925	1DW1A40229S142501	1DW1A40249S144401
1DW1A40259S123007	1DW1A40209S125554	1DW1A402X9S132401	1DW1A40209S142502	1DW1A42219S144501
1DW1A422X9S123601	1DW1A40229S125555	1DW1A40219S132402	1DW1A40229S142503	1DW1A42219S145101
1DW1A40219S124901	1DW1A40249S125556	1DW1A40239S132403	1DW1A40249S142504	1DW1A42259S147501
1DW1A40239S124902	1DW1A40269S125557	1DW1A40259S132404	1DW1A40269S142505	1DW1A40289S148001
1DW1A40259S124903	1DW1A40289S125558	1DW1A40279S132405	1DW1A40239S142901	1DW1A402X9S148002
1DW1A40279S124904	1DW1A402X9S125559	1DW1A40239S137701	1DW1A40259S142902	1DW1A40219S148003
1DW1A40299S124905	1DW1A40269S125560	1DW1A40259S137702	1DW1A40279S142903	1DW1A40239S148004
1DW1A40209S124906	1DW1A42299S125601	1DW1A40279S137703	1DW1A40299S142904	1DW1A40259S148005
1DW1A40229S124907	1DW1A42209S125602	1DW1A40299S137704	1DW1A40209S142905	1DW1A40279S148006
1DW1A40249S124908	1DW1A42229S125603	1DW1A40209S137705	1DW1A40229S142906	1DW1A40299S148007
1DW1A40269S124909	1DW1A42249S125604	1DW1A40229S137706	1DW1A40249S142907	1DW1A40209S148008
1DW1A40229S124910	1DW1A42269S125605	1DW1A40249S137707	1DW1A40269S142908	1DW1A40229S148009
1DW1A40249S125301	1DW1A42289S125606	1DW1A40269S137708	1DW1A40289S142909	1DW1A40299S148010
1DW1A40219S125501	1DW1A422X9S125607	1DW1A40289S137709	1DW1A40249S142910	1DW1A40279S149401
1DW1A40239S125502	1DW1A42219S125608	1DW1A40249S137710	1DW1A40269S142911	1DW1A42249S152401
1DW1A40259S125503	1DW1A42239S125609	1DW1A40279S137801	1DW1A40289S142912	1DW1A42269S152402

Model Year 2009 Stoughton Ag Hopper Trailers With Aluminum Crossmember on Front Hopper
Vehicle Identification Numbers

Page 2 of 2

1DW1A42289S152403	1DW1A42249S166301	1DW1A40229S169829	1DW1A40239S175512
1DW1A40299S153501	1DW1A42269S166302	1DW1A40299S169830	1DW1A40259S175513
1DW1A402X9S156701	1DW1A42289S166303	1DW1A40209S169831	1DW1A40279S175514
1DW1A40219S156702	1DW1A42289S166401	1DW1A40229S169832	1DW1A40299S175515
1DW1A40239S156703	1DW1A40219S166601	1DW1A40249S169833	1DW1A40209S175516
1DW1A40259S156704	1DW1A40239S166602	1DW1A40269S169834	1DW1A40229S175517
1DW1A40279S156705	1DW1A42299S166701	1DW1A40289S169835	1DW1A40249S175518
1DW1A40299S156706	1DW1A42209S166702	1DW1A4226AS171701	1DW1A40269S175519
1DW1A40209S156707	1DW1A40239S167801	1DW1A40279S172001	
1DW1A40229S156708	1DW1A40259S167802	1DW1A40299S172002	
1DW1A40249S156709	1DW1A40279S167803	1DW1A40209S172003	
1DW1A40209S156710	1DW1A40299S167804	1DW1A40229S172004	
1DW1A40229S156711	1DW1A40209S167805	1DW1A40249S172005	
1DW1A40249S156712	1DW1A42209S167901	1DW1A40269S172006	
1DW1A40269S156713	1DW1A42229S167902	1DW1A40289S172007	
1DW1A40289S156714	1DW1A42249S167903	1DW1A402X9S172008	
1DW1A402X9S156715	1DW1A42269S167904	1DW1A40219S172009	
1DW1A42239S160201	1DW1A42289S167905	1DW1A40289S172010	
1DW1A40279S161001	1DW1A40299S168001	1DW1A402X9S172011	
1DW1A40299S161002	1DW1A40209S168002	1DW1A40219S172012	
1DW1A40209S161003	1DW1A40239S168401	1DW1A40239S172013	
1DW1A402X9S162501	1DW1A40259S168402	1DW1A40259S172014	
1DW1A40219S162502	1DW1A40279S168403	1DW1A40279S172015	
1DW1A40279S162701	1DW1A40299S168404	1DW1A40299S172016	
1DW1A40299S162702	1DW1A40209S168405	1DW1A40209S172017	
1DW1A40209S162703	1DW1A40229S168406	1DW1A40229S172018	
1DW1A40229S162704	1DW1A40249S168407	1DW1A40249S172019	
1DW1A40249S162705	1DW1A40279S168501	1DW1A40209S172020	
1DW1A40269S162706	1DW1A40299S168502	1DW1A40229S172021	
1DW1A40289S162707	1DW1A40209S168503	1DW1A40249S172022	
1DW1A402X9S162708	1DW1A40229S168504	1DW1A40269S172023	
1DW1A40219S162709	1DW1A40249S168505	1DW1A40289S172024	
1DW1A40289S162710	1DW1A40269S168506	1DW1A402X9S172025	
1DW1A402X9S162711	1DW1A40289S168507	1DW1A40219S172026	
1DW1A40219S162712	1DW1A402X9S168508	1DW1A40239S172027	
1DW1A40239S162713	1DW1A40219S168509	1DW1A40259S172028	
1DW1A40259S162714	1DW1A40289S168510	1DW1A40279S172029	
1DW1A40279S162715	1DW1A42289S169301	1DW1A40239S172030	
1DW1A40209S162801	1DW1A40229S169801	1DW1A40259S172031	
1DW1A40229S162802	1DW1A40249S169802	1DW1A40279S172032	
1DW1A40249S162803	1DW1A40269S169803	1DW1A40299S172033	
1DW1A40269S162804	1DW1A40289S169804	1DW1A40209S172034	
1DW1A40289S162805	1DW1A402X9S169805	1DW1A40229S172035	
1DW1A42289S162901	1DW1A40219S169806	1DW1A40249S172036	
1DW1A422X9S162902	1DW1A40239S169807	1DW1A4020AS172801	
1DW1A42219S162903	1DW1A40259S169808	1DW1A40219S174701	
1DW1A42239S162904	1DW1A40279S169809	1DW1A40239S174702	
1DW1A42259S162905	1DW1A40239S169810	1DW1A40259S174703	
1DW1A422X9S163001	1DW1A40259S169811	1DW1A40279S174704	
1DW1A42219S163002	1DW1A40279S169812	1DW1A40299S174705	
1DW1A42239S163003	1DW1A40299S169813	1DW1A40209S174706	
1DW1A42259S163004	1DW1A40209S169814	1DW1A40229S174707	
1DW1A42279S163005	1DW1A40229S169815	1DW1A40249S174708	
1DW1A3429AS163101	1DW1A40249S169816	1DW1A40269S174709	
1DW1A42279S163201	1DW1A40269S169817	1DW1A40229S174710	
1DW1A40279S163301	1DW1A40289S169818	1DW1A40299S175501	
1DW1A40209S163401	1DW1A402X9S169819	1DW1A40209S175502	
1DW1A42229S164501	1DW1A40269S169820	1DW1A40229S175503	
1DW1A42269S164601	1DW1A40289S169821	1DW1A40249S175504	
1DW1A422X9S164701	1DW1A402X9S169822	1DW1A40269S175505	
1DW1A42279S164901	1DW1A40219S169823	1DW1A40289S175506	
1DW1A42299S165001	1DW1A40239S169824	1DW1A402X9S175507	
1DW1A40299S165101	1DW1A40259S169825	1DW1A40219S175508	
1DW1A40209S165102	1DW1A40279S169826	1DW1A40239S175509	
1DW1A40229S165103	1DW1A40299S169827	1DW1A402X9S175510	
1DW1A40249S165104	1DW1A40209S169828	1DW1A40219S175511	

Model Year 2010 Stoughton Ag Hopper Trailers With Aluminum Crossmember on Front Hopper
Vehicle Identification Numbers

Page 1 of 1

1DW1A402XAS176001	1DW1A4222AS188401
1DW1A4023AS176101	1DW1A4224AS188402
1DW1A4025AS176102	1DW1A4226AS188403
1DW1A4027AS176103	1DW1A4226AS188501
1DW1A4029AS176104	1DW1A4228AS188502
1DW1A4020AS176105	1DW1A422XAS188601
1DW1A4022AS176106	1DW1A402XAS188701
1DW1A4024AS176107	1DW1A4021AS188702
1DW1A4026AS176108	1DW1A4023AS188801
1DW1A4028AS176109	1DW1A4025AS188802
1DW1A4024AS176110	1DW1A4028AS189801
1DW1A4027AS176201	1DW1A4029AS190701
1DW1A4029AS176202	1DW1A4023AS191701
1DW1A4020AS176203	1DW1A4025AS191702
1DW1A4022AS176204	1DW1A4027AS192401
1DW1A4024AS176205	1DW1A4029AS192402
1DW1A4224AS176301	1DW1A4020AS192403
1DW1A4226AS176302	1DW1A4022AS192404
1DW1A4228AS176401	1DW1A4024AS192405
1DW1A3422AS176501	1DW1A4024AS192601
1DW1A3424AS176502	1DW1A4029AS194201
1DW1A3426AS176503	1DW1A4020AS194202
1DW1A3428AS176504	1DW1A4022AS194203
1DW1A342XAS176505	1DW1A4024AS194204
1DW1A3421AS176506	1DW1A4026AS194205
1DW1A3423AS176507	1DW1A4028AS194206
1DW1A3425AS176508	1DW1A402XAS194207
1DW1A3427AS176509	1DW1A4023AS194601
1DW1A3423AS176510	1DW1A4025AS196401
1DW1A3426AS176601	1DW1A4021AS200301
1DW1A3428AS176602	1DW1A4026AS200701
1DW1A342XAS176603	1DW1A402XAS200801
1DW1A3421AS176604	1DW1A4023AS200901
1DW1A3423AS176605	1DW1A4027AS201601
1DW1A3425AS176606	1DW1A4227AS202101
1DW1A3427AS176607	1DW1A4025AS203301
1DW1A3429AS176608	1DW1A4021AS204901
1DW1A3420AS176609	1DW1A4221AS205401
1DW1A3427AS176610	1DW1A3421AS206801
1DW1A4021AS179501	1DW1A3423AS206802
1DW1A4023AS179502	1DW1A3425AS206803
1DW1A4025AS179601	1DW1A3425AS207501
1DW1A4027AS179602	1DW1A4024AS207601
1DW1A4022AS179801	1DW1A4028AS207701
1DW1A4225AS180101	1DW1A402XAS208901
1DW1A4226AS180401	1DW1A4228AS211101
1DW1A422XAS180501	1DW1A4022AS211601
1DW1A4022AS181001	1DW1A4026AS211701
1DW1A4025AS184801	1DW1A3428AS212501
1DW1A4027AS184802	1DW1A402XAS213001
1DW1A4029AS184803	1DW1A4025AS213701
1DW1A4020AS184804	1DW1A4027AS213702
1DW1A4022AS184805	1DW1A4022AS214501
1DW1A4024AS184806	1DW1A4024AS214502
1DW1A4029AS184901	1DW1A4026AS214503
1DW1A4020AS184902	1DW1A402XAS214701
1DW1A4023AS186501	1DW1A4021AS214702
1DW1A4025AS186502	1DW1A4023AS214703
1DW1A4027AS186503	1DW1A4025AS214704
1DW1A4027AS186601	1DW1A4029AS215001
1DW1A4020AS187301	
1DW1A4028AS188101	
1DW1A402XAS188102	
1DW1A4021AS188103	
1DW1A4023AS188104	
1DW1A4025AS188105	

Model Year 2011 Stoughton Ag Hopper Trailers With Aluminum Crossmember on Front Hopper
Vehicle Identification Numbers

Page 1 of 2

1DW1A4025BS214901	1DW1A4024BS229003	1DW1A4022BS237701	1DW1A4229BS241404	1DW1A4029BS246508
1DW1A4022AS215101	1DW1A4026BS229004	1DW1A4024BS237702	1DW1A4220BS241405	1DW1A4020BS246509
1DW1A4022BS218601	1DW1A4028BS229005	1DW1A4026BS237703	1DW1A4222BS241406	1DW1A4027BS246510
1DW1A4024BS218602	1DW1A4228BS229101	1DW1A4028BS237704	1DW1A4023BS241501	1DW1A4029BS246511
1DW1A4026BS218701	1DW1A422XBS229102	1DW1A402XBS237705	1DW1A402XBS242001	1DW1A4020BS246512
1DW1A4028BS218702	1DW1A4221BS229103	1DW1A4021BS237706	1DW1A4021BS242002	1DW1A4024BS247601
1DW1A3424BS218801	1DW1A4223BS229104	1DW1A4023BS237707	1DW1A4023BS242003	1DW1A4221BS248301
1DW1A3428BS218901	1DW1A4225BS229105	1DW1A4025BS237708	1DW1A4025BS242004	1DW1A4223BS248302
1DW1A342XBS218902	1DW1A4029BS229501	1DW1A4027BS237709	1DW1A4027BS242005	1DW1A4225BS248303
1DW1A3423BS221401	1DW1A4020BS229502	1DW1A4023BS237710	1DW1A4023BS242101	1DW1A4227BS248304
1DW1A3425BS221402	1DW1A4026BS229701	1DW1A4025BS238101	1DW1A4025BS242102	1DW1A4229BS248305
1DW1A402XBS222901	1DW1A4026BS230301	1DW1A4027BS238102	1DW1A4027BS242103	1DW1A4029BS248401
1DW1A4026BS223901	1DW1A402XBS230401	1DW1A4029BS238103	1DW1A3421BS242201	1DW1A4023BS248402
1DW1A4028BS223902	1DW1A4027BS231201	1DW1A4020BS238104	1DW1A3423BS242202	1DW1A4025BS248403
1DW1A4028BS224001	1DW1A4029BS231801	1DW1A4022BS238105	1DW1A3425BS242203	1DW1A4027BS248404
1DW1A4023BS224002	1DW1A4022BS231901	1DW1A4028BS238301	1DW1A3427BS242204	1DW1A4029BS248405
1DW1A4021BS224101	1DW1A4221BS232101	1DW1A4024BS238302	1DW1A3429BS242205	1DW1A4020BS248406
1DW1A4023BS224102	1DW1A4223BS232102	1DW1A4028BS239601	1DW1A342XBS242701	1DW1A4022BS248407
1DW1A4025BS224201	1DW1A4225BS232103	1DW1A402XBS239602	1DW1A4029BS242801	1DW1A402XBS249501
1DW1A4027BS224202	1DW1A4227BS232104	1DW1A4021BS239603	1DW1A4222BS243401	1DW1A4021BS249502
1DW1A4029BS224301	1DW1A4229BS232105	1DW1A4023BS239604	1DW1A4224BS243402	1DW1A4023BS249503
1DW1A4020BS224302	1DW1A4220BS232106	1DW1A4025BS239605	1DW1A4226BS243403	1DW1A4025BS249504
1DW1A4022BS224401	1DW1A4222BS232107	1DW1A4027BS239606	1DW1A4228BS243404	1DW1A4027BS249505
1DW1A4024BS224402	1DW1A4224BS232108	1DW1A4029BS239607	1DW1A422XBS243405	1DW1A4029BS249506
1DW1A402XBS224601	1DW1A4226BS232109	1DW1A4020BS239608	1DW1A4221BS243406	1DW1A4020BS249507
1DW1A4021BS224602	1DW1A4222BS232110	1DW1A4022BS239609	1DW1A4223BS243407	1DW1A4022BS249508
1DW1A4220BS224801	1DW1A4226BS233101	1DW1A4029BS239610	1DW1A4225BS243408	1DW1A4024BS249509
1DW1A3427BS225001	1DW1A4023BS233401	1DW1A4020BS239611	1DW1A4227BS243409	1DW1A4020BS249510
1DW1A4023BS225301	1DW1A4025BS233402	1DW1A4028BS239612	1DW1A4223BS243410	1DW1A4021BS249511
1DW1A4024BS225601	1DW1A3421BS233501	1DW1A4024BS239613	1DW1A4022BS243501	1DW1A4024BS249512
1DW1A4221BS225701	1DW1A4024BS233701	1DW1A4026BS239614	1DW1A4024BS243502	1DW1A4026BS249513
1DW1A4021BS225801	1DW1A4026BS233702	1DW1A4028BS239615	1DW1A4026BS243503	1DW1A4028BS249514
1DW1A4023BS225802	1DW1A4028BS233703	1DW1A402XBS239616	1DW1A4028BS243504	1DW1A4028BS250301
1DW1A4025BS225803	1DW1A402XBS233704	1DW1A4021BS239617	1DW1A4024BS244701	1DW1A4029BS250302
1DW1A4027BS225804	1DW1A4021BS233705	1DW1A4023BS239618	1DW1A4026BS244702	1DW1A4020BS250303
1DW1A4025BS225901	1DW1A4221BS233801	1DW1A4025BS239619	1DW1A4028BS244703	1DW1A4022BS250304
1DW1A4027BS225902	1DW1A4223BS233802	1DW1A4021BS239620	1DW1A402XBS244704	1DW1A4020BS250305
1DW1A4029BS226601	1DW1A4225BS233803	1DW1A4021BS239701	1DW1A4021BS244705	1DW1A4026BS250306
1DW1A4020BS226602	1DW1A4227BS233804	1DW1A4023BS239702	1DW1A4023BS244706	1DW1A4028BS250307
1DW1A4022BS226701	1DW1A4229BS233805	1DW1A4025BS239703	1DW1A4025BS244707	1DW1A402XBS250308
1DW1A4026BS226801	1DW1A342XBS234601	1DW1A4027BS239704	1DW1A4027BS244708	1DW1A4021BS250309
1DW1A4025BS227101	1DW1A4022BS235401	1DW1A4029BS239705	1DW1A4029BS244709	1DW1A4028BS250310
1DW1A4026BS227401	1DW1A4024BS235402	1DW1A4020BS239706	1DW1A4025BS244710	1DW1A402XBS250311
1DW1A4028BS227402	1DW1A4026BS235403	1DW1A4022BS239707	1DW1A4027BS244711	1DW1A4021BS250312
1DW1A402XBS227403	1DW1A4028BS235404	1DW1A4024BS239708	1DW1A4029BS244712	1DW1A4023BS250313
1DW1A4021BS227404	1DW1A402XBS235405	1DW1A4026BS239709	1DW1A4022BS246401	1DW1A4025BS250314
1DW1A4023BS227405	1DW1A4026BS235501	1DW1A4022BS239710	1DW1A4024BS246402	1DW1A4227BS251901
1DW1A4025BS227406	1DW1A4028BS235502	1DW1A4025BS239801	1DW1A4026BS246403	1DW1A4229BS251902
1DW1A4027BS227407	1DW1A402XBS235503	1DW1A4027BS239802	1DW1A4028BS246404	1DW1A4220BS251903
1DW1A4029BS227408	1DW1A4021BS235504	1DW1A4029BS239803	1DW1A402XBS246405	1DW1A4222BS251904
1DW1A4020BS227409	1DW1A4023BS235505	1DW1A4020BS239804	1DW1A4021BS246406	1DW1A4224BS251905
1DW1A4027BS227410	1DW1A4025BS235506	1DW1A4022BS239805	1DW1A4023BS246407	1DW1A4229BS252001
1DW1A402XBS227501	1DW1A4027BS235507	1DW1A4222BS239901	1DW1A4025BS246408	1DW1A4220BS252002
1DW1A4021BS227502	1DW1A4029BS235508	1DW1A4024BS239902	1DW1A4027BS246409	1DW1A4222BS252003
1DW1A4023BS227503	1DW1A4020BS235509	1DW1A4226BS239903	1DW1A4023BS246410	1DW1A4224BS252004
1DW1A4025BS227504	1DW1A4027BS235510	1DW1A4228BS239904	1DW1A4025BS246411	1DW1A4029BS252101
1DW1A4027BS227505	1DW1A4029BS237601	1DW1A422XBS239905	1DW1A4027BS246412	1DW1A4020BS252102
1DW1A4227BS227601	1DW1A4020BS237602	1DW1A4221BS240201	1DW1A4029BS246413	1DW1A4022BS252103
1DW1A4020BS227801	1DW1A4022BS237603	1DW1A4022BS241201	1DW1A4020BS246414	1DW1A4024BS252104
1DW1A4024BS228501	1DW1A4024BS237604	1DW1A4024BS241202	1DW1A4026BS246501	1DW1A4026BS252105
1DW1A4028BS228601	1DW1A4026BS237605	1DW1A4026BS241203	1DW1A4028BS246502	1DW1A4023BS253101
1DW1A4225BS228701	1DW1A4028BS237606	1DW1A4028BS241204	1DW1A402XBS246503	1DW1A4025BS253102
1DW1A4229BS228801	1DW1A402XBS237607	1DW1A402XBS241205	1DW1A4021BS246504	1DW1A4027BS253103
1DW1A4222BS228901	1DW1A4021BS237608	1DW1A4223BS241401	1DW1A4023BS246505	1DW1A4029BS253104
1DW1A4020BS229001	1DW1A4023BS237609	1DW1A4225BS241402	1DW1A4025BS246506	1DW1A4020BS253105
1DW1A4022BS229002	1DW1A402XBS237610	1DW1A4227BS241403	1DW1A4027BS246507	1DW1A4022BS253106

Model Year 2011 Stoughton Ag Hopper Trailers With Aluminum Crossmember on Front Hopper
Vehicle Identification Numbers

Page 2 of 2

1DW1A4024BS253107	1DW1A4021BS260208
1DW1A4026BS253108	1DW1A4023BS260209
1DW1A4028BS253109	1DW1A402XBS260210
1DW1A4024BS253110	1DW1A402XBS261101
1DW1A4026BS253111	1DW1A3428BS261201
1DW1A4028BS253112	1DW1A342XBS261202
1DW1A402XBS253113	1DW1A3421BS261203
1DW1A4021BS253114	1DW1A3423BS261204
1DW1A4226BS254501	1DW1A3425BS261205
1DW1A4228BS254502	1DW1A3427BS261206
1DW1A422XBS254503	1DW1A3429BS261207
1DW1A4221BS254504	1DW1A3420BS261208
1DW1A4223BS254505	1DW1A3422BS261209
1DW1A4225BS254506	1DW1A3429BS261210
1DW1A4227BS254507	1DW1A3420BS261211
1DW1A4229BS254508	1DW1A4023BS263501
1DW1A4220BS254509	1DW1A4228BS263801
1DW1A4227BS254510	1DW1A422XBS263802
1DW1A4229BS254511	1DW1A4221BS263803
1DW1A4220BS254512	1DW1A4223BS263804
1DW1A4222BS254513	1DW1A4225BS263805
1DW1A4224BS254514	1DW1A4227BS263806
1DW1A3424BS255301	1DW1A4028BS263901
1DW1A4220BS256101	1DW1A402XBS263902
1DW1A4222BS256102	1DW1A4021BS263903
1DW1A4224BS256103	1DW1A4023BS263904
1DW1A4226BS256104	1DW1A4025BS263905
1DW1A4228BS256105	1DW1A402XBS264001
1DW1A422XBS256106	1DW1A4021BS264002
1DW1A4221BS256107	1DW1A4023BS264003
1DW1A4223BS256108	1DW1A4025BS264004
1DW1A4225BS256109	1DW1A4027BS264005
1DW1A4221BS256110	1DW1A4029BS264006
1DW1A4223BS256111	1DW1A4020BS264007
1DW1A4225BS256112	1DW1A4022BS264008
1DW1A4227BS256113	1DW1A4227BS264101
1DW1A4229BS256114	1DW1A4229BS264102
1DW1A3426BS257101	1DW1A4220BS264103
1DW1A3428BS257102	1DW1A4222BS264104
1DW1A4025BS257201	1DW1A4228BS264401
1DW1A4022BS257401	1DW1A4229BS264701
1DW1A4024BS257402	1DW1A4224BS266601
1DW1A4026BS257403	1DW1A4226BS266602
1DW1A4028BS257404	1DW1A4228BS266603
1DW1A402XBS257405	1DW1A422XBS266604
1DW1A4021BS257406	1DW1A4221BS268001
1DW1A4023BS257407	1DW1A4223BS268002
1DW1A4025BS257408	1DW1A4225BS268003
1DW1A4027BS258401	1DW1A4022BS269001
1DW1A4024BS259201	1DW1A4024BS269002
1DW1A4026BS259202	1DW1A4026BS269003
1DW1A4028BS259203	1DW1A4028BS269004
1DW1A402XBS259204	1DW1A402XBS269005
1DW1A4021BS259205	1DW1A4021BS269006
1DW1A3427BS259701	1DW1A4023BS269007
1DW1A3429BS259702	1DW1A4022BS270701
1DW1A3420BS259703	1DW1A4024BS270702
1DW1A3422BS259704	
1DW1A4025BS260101	
1DW1A4029BS260201	
1DW1A4020BS260202	
1DW1A4022BS260203	
1DW1A4024BS260204	
1DW1A4026BS260205	
1DW1A4028BS260206	
1DW1A402XBS260207	



REPAIR DOCUMENT

Ag Hopper Trailer Coupler to Hopper Structure Upgrade

Repair Document #: **RD-00037**
 Date: September 6, 2012
 Revision: **A**
 Revision Date: N/A

Contact Information:

If you have any questions about this Repair Document please contact the Stoughton Trailers Customer Service Department by telephone (608)-873-2555 or by email (warranty@stoughtontrailers.com).

Subject:

Recommended upgrade procedure on Ag Hopper trailers in the lower structure between the upper coupler and the front hopper. The upgrade on Model Years 2010, 2011 and 2012 Stoughton Ag Hopper trailers will improve lateral stability in the area resulting in increased durability of the unit.

Models:

Trailers that qualify for this upgrade can be identified by the following:

1. Model: AHV
2. Model Years: 2010, 2011 and 2012
 - a. VIN Model Year Date Codes of A, B & C
3. Date of Manufacture: November 2009 thru December 2011.
4. Reference Appendix A for a complete list of units covered.
5. Order numbers covered are within the range of 2049 to 3443.
6. NOTE: MY2012 UNITS DELIVERED IN 2012 WERE MODIFIED BEFORE DELIVERY

Code	Year	Code	Year
Y =	2000	A =	2010
1 =	2001	B =	2011
2 =	2002	C =	2012
3 =	2003	D =	2013
4 =	2004	E =	2014
5 =	2005	F =	2015
6 =	2006	G =	2016
7 =	2007	H =	2017
8 =	2008	J =	2018
9 =	2009	K =	2019

Figure 1: Model Year Date Code

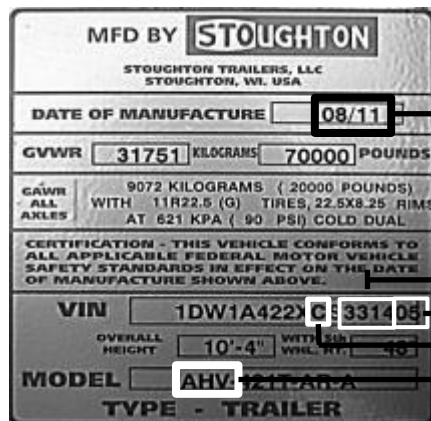


Figure 2: Stoughton Trailers VIN plate

- DATE OF MANUFACTURE
- ORDER NUMBER
- UNIT NUMBER
- MODEL YEAR DATE
- Model: AG HOPPER

Issue:

The upgrades addresses the lateral stability of the bottom rail in the immediate area forward of the landing gear and front hopper. Lateral movement in this area allows the bottom rail and steel internal structure to flex side to side between the two crossmembers forward of the hopper. Excessive flexing can cause fatigue cracks and fastener failure.

Remedy:

The upgrades must be performed by a STOUGHTON TRAILER Ag Hopper dealer or an authorized repair shop.

STOUGHTON trailers covered by this document are end of Model Year 2010 through Model Year 2012 Ag Hoppers that have two steel crossmember forward of the front hopper with short shear plates between them on each end (Fig 3) . A full width shear plate will be added between the two crossmembers connecting their top flanges. The 3/8" Huck fasteners attaching the diagonal brace channels between the hopper and the upper coupler will be replaced with 1/2" bolts. Gussets will be added to the aft corners of the coupler. Rivets across front slope where it attaches to steel crossmember will be changed to bolts at the ends.



Figure 3: Later unit with a rear steel crossmember

Warning:

During all steps of the repair and upgrade procedures one must use appropriate safety precautions.

- Use personal safety equipment when working on any trailer (i.e. safety glasses, hearing protection, safety shoes, etc.).
- Trailer must be supported at all times to prevent movement throughout the upgrade process.
 - Check to insure landing gear is in proper working order and providing proper support prior to upgrade.
- The trailer must be empty before any repairs or upgrades are made.

Inspection:

Fatigue in the bottom rail and internal structure just forward of the landing gear and front hopper could result in condition shown below. The inspection process must determine whether this condition exist, if so it must be repaired before installing the upgrade.

1. Crack in crossmember top flanges just inboard of the short shear plate

- a. If found, grind a groove were crack exist and weld before installation of new shear plate.

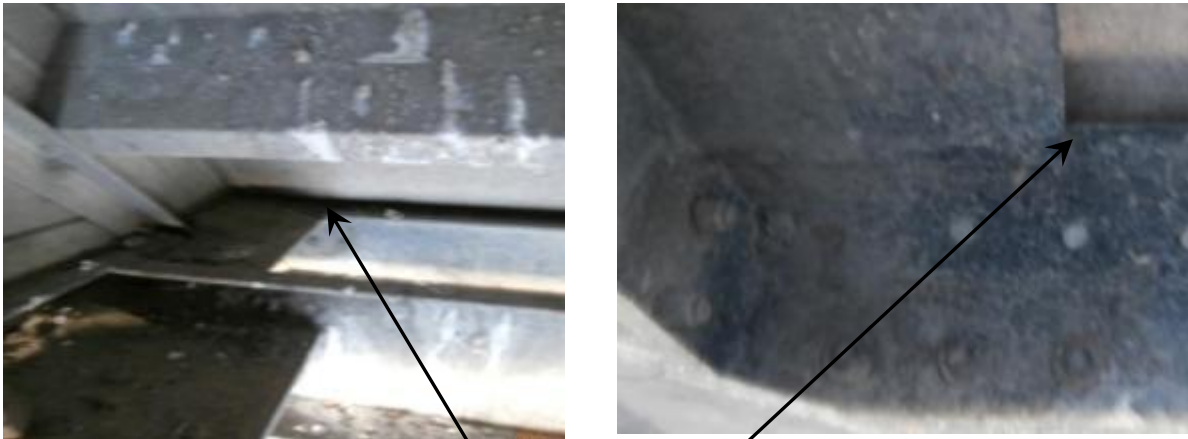


Figure 5

Possible cracking

UPGRADE PROCEDURE:

Work to be Performed:

- Full width shear plate installed between two crossmembers immediately ahead of forward hopper
- Gussets installed at aft corners of upper coupler
- Diagonal cross-brace 3/8" fasteners replaced with 1/2" bolts
- Upgrade fasteners attaching crossmember to front hopper forward slope
- Install a Diamondply cover aft of the coupler frame.

Parts Required:

<u>Part Number</u>	<u>Description</u>	<u>Quantity</u>
01-26767-001	Crossmember Reinforcing Plate	1
01-26766-001	1/4 X 4 Reinforcing Bar	2
04-95120-125	5/16-18 X 1 1/4, SS302	50
04-95502	Locknut, 5/16-18	50
04-95119-125	Bolt, 1/2-13 X 1 1/4 Grade 8	16
04-95579	Locknut, 1/2-13	16
04-26885	Cover	1
04-97078	3/16 Rivet	14

Tools

- Drill with
 - 17/32in Bit
 - Others sizes may be necessary
- Welding Equipment
- Grinder
- Clamps

Procedure

1. At both ends of the two diagonal crossmember channels remove 3 of the 4 Huck fasteners, leaving one at each end to hold in them in place.
2. Enlarge holes to 17/32in diameter (Fig. 6).
3. Install 1/2in-13 x 1 1/4 Grd 8 bolts (04-95119-125). Torque to 110 ft-lb (Fig 7).



Figure 6



Figure 7

4. Once three 1/2in bolts are installed at each end repeat steps 1-3 for remaining Hucks.
5. Check the size and spacing of the rivets connecting the front slope of the forward hopper to the steel crossmember:
 - a. If 3/16" diameter on 2" or 3" centers
 - i. Remove all fasteners, drill out all holes to 5/16" and replace with 5/16" bolts
 - b. If 1/4" on 2" centers
 - i. Remove only the outside ten rivets at each end, drill out holes to 5/16" and replace with 5/16" bolts.
6. Grind paint off, and clean the crossmember and gusset areas to prepare for welds (Fig. 8 and 9).



Figure 8



Figure 9

7. Position steel gussets (01-26766-001) at front end of each diagonal cross-brace (Fig. 10) on the backside of the upper coupler crossmember. Locate at the top of side channel bottom inside radius and above the upper coupler rear crossmember bottom weld. Weld across top of gusset, full $\frac{1}{4}$ " at each end.



Figure 10

8. Place shear plate (01-26767-001) on top and between two crossmembers.
9. Clamp plate down firmly to forward crossmembers and brace plate up to rear crossmember from underneath (Fig. 11 and 12).
10. Weld long edges of plate to top of both crossmembers using $\frac{1}{4}$ " x 4" skip welds (4" weld then 4" spacing) starting at the ends. (Fig 13). Weld both ends (short edges) full length to existing short shear plates with $\frac{1}{4}$ " welds.
11. Clean all welded areas and apply protective coating (i.e. black undercoating).



Figure 11



Figure 12



Figure 13

Cover Installation

1. Center cover (04-26885) with the short leg of the bend facing up and against the lower most Z-crossmember on the slope (Fig 14).
2. Notch as required at each end where the cover meets the slope extrusion at the sidewalls. Clamp or hold in place.
3. Drill 8 holes across the top (7 equal spaces), 6 holes across the bottom (5 equal spaces). All holes to be .204 dia.
 - a. Maintain a minimum of 1" from any hole to any cover edge (fig 15).
4. Install 14 rivets (04-97078).



Figure 14



Figure 15

Appendix A.

Stoughton Ag Hopper Trailers Subject To Upgrade

Model Year 2010 Stoughton Ag Hopper Trailers – Vehicle Identification Numbers

1DW1A4021AS204901
1DW1A4221AS205401
1DW1A3421AS206801
1DW1A3423AS206802
1DW1A3425AS206803
1DW1A3425AS207501
1DW1A4024AS207601
1DW1A4028AS207701
1DW1A402XAS208901
1DW1A4228AS211101
1DW1A4022AS211601
1DW1A4026AS211701
1DW1A3428AS212501
1DW1A402XAS213001
1DW1A4025AS213701
1DW1A4027AS213702
1DW1A4022AS214501
1DW1A4024AS214502
1DW1A4026AS214503
1DW1A402XAS214701
1DW1A4021AS214702
1DW1A4023AS214703
1DW1A4025AS214704
1DW1A4029AS215001
1DW1A4022AS215101

Model Year 2011 Stoughton Ag Hopper Trailers – Vehicle Identification Numbers

1DW1A4025BS214901	1DW1A4026BS229004	1DW1A4024BS237702	1DW1A4220BS241405	1DW1A4020BS246509
1DW1A4022BS218601	1DW1A4028BS229005	1DW1A4026BS237703	1DW1A4222BS241406	1DW1A4027BS246510
1DW1A4024BS218602	1DW1A4228BS229101	1DW1A4028BS237704	1DW1A4023BS241501	1DW1A4029BS246511
1DW1A4026BS218701	1DW1A422XBS229102	1DW1A402XBS237705	1DW1A402XBS242001	1DW1A4020BS246512
1DW1A4028BS218702	1DW1A4221BS229103	1DW1A4021BS237706	1DW1A4021BS242002	1DW1A4024BS247601
1DW1A3424BS218801	1DW1A4223BS229104	1DW1A4023BS237707	1DW1A4023BS242003	1DW1A4221BS248301
1DW1A3428BS218901	1DW1A4225BS229105	1DW1A4025BS237708	1DW1A4025BS242004	1DW1A4223BS248302
1DW1A4021BS218902	1DW1A4029BS229501	1DW1A4027BS237709	1DW1A4027BS242005	1DW1A4020BS248303
1DW1A3423BS221401	1DW1A4020BS229502	1DW1A4023BS237710	1DW1A4023BS242101	1DW1A4227BS248304
1DW1A3425BS221402	1DW1A4026BS229701	1DW1A4025BS238101	1DW1A4025BS242102	1DW1A4229BS248305
1DW1A4225BS222901	1DW1A4026BS230301	1DW1A4027BS238102	1DW1A4027BS242103	1DW1A4021BS248401
1DW1A4021BS223901	1DW1A402XBS230401	1DW1A4029BS238103	1DW1A3421BS242201	1DW1A4020BS248402
1DW1A4028BS223902	1DW1A4027BS231201	1DW1A4020BS238104	1DW1A3423BS242202	1DW1A4025BS248403
1DW1A4028BS224001	1DW1A4029BS231801	1DW1A4022BS238105	1DW1A3425BS242203	1DW1A4027BS248404
1DW1A402XBS224002	1DW1A4022BS231901	1DW1A4022BS238301	1DW1A3427BS242204	1DW1A4029BS248405
1DW1A4021BS224101	1DW1A4221BS232101	1DW1A4029BS238302	1DW1A3421BS242205	1DW1A4020BS248406
1DW1A4023BS224102	1DW1A4223BS232102	1DW1A4028BS239601	1DW1A342XBS242701	1DW1A4022BS248407
1DW1A4025BS224201	1DW1A4225BS232103	1DW1A402XBS239602	1DW1A4029BS242801	1DW1A402XBS249501
1DW1A4027BS224202	1DW1A4227BS232104	1DW1A4021BS239603	1DW1A4222BS243401	1DW1A4021BS249502
1DW1A4029BS224301	1DW1A4229BS232105	1DW1A4023BS239604	1DW1A4224BS243402	1DW1A4023BS249503
1DW1A4020BS224302	1DW1A4220BS232106	1DW1A4025BS239605	1DW1A4226BS243403	1DW1A4025BS249504
1DW1A4022BS224401	1DW1A4222BS232107	1DW1A4027BS239606	1DW1A4228BS243404	1DW1A4027BS249505
1DW1A4024BS224402	1DW1A4224BS232108	1DW1A4029BS239607	1DW1A422XBS243405	1DW1A4029BS249506
1DW1A402XBS224601	1DW1A4226BS232109	1DW1A4020BS239608	1DW1A4221BS243406	1DW1A4020BS249507
1DW1A4021BS224602	1DW1A4222BS232110	1DW1A4022BS239609	1DW1A4223BS243407	1DW1A4022BS249508
1DW1A4220BS224801	1DW1A4226BS233101	1DW1A4029BS239610	1DW1A4225BS243408	1DW1A4024BS249509
1DW1A3427BS225001	1DW1A4023BS233401	1DW1A4020BS239611	1DW1A4227BS243409	1DW1A4020BS249510
1DW1A4023BS225301	1DW1A4025BS233402	1DW1A4022BS239612	1DW1A4223BS243410	1DW1A4022BS249511
1DW1A4024BS225601	1DW1A3421BS233501	1DW1A4024BS239613	1DW1A4022BS243501	1DW1A4023BS248402
1DW1A4221BS225701	1DW1A4024BS233701	1DW1A4026BS239614	1DW1A4024BS243502	1DW1A4026BS249513
1DW1A4021BS225801	1DW1A4026BS233702	1DW1A4028BS239615	1DW1A4026BS243503	1DW1A4028BS249514
1DW1A4023BS225802	1DW1A4028BS233703	1DW1A402XBS239616	1DW1A4028BS243504	1DW1A4027BS250301
1DW1A4025BS225803	1DW1A402XBS233704	1DW1A4021BS239617	1DW1A4024BS244701	1DW1A4029BS250302
1DW1A4027BS225804	1DW1A4021BS233705	1DW1A4023BS239618	1DW1A4026BS244702	1DW1A4020BS250303
1DW1A4025BS225901	1DW1A4221BS233801	1DW1A4025BS239619	1DW1A4028BS244703	1DW1A4022BS250304
1DW1A4027BS225902	1DW1A4223BS233802	1DW1A4021BS239620	1DW1A402XBS244704	1DW1A4024BS250305
1DW1A4029BS226601	1DW1A4225BS233803	1DW1A4024BS239701	1DW1A4021BS244705	1DW1A4026BS250306
1DW1A4020BS226602	1DW1A4227BS233804	1DW1A4023BS239702	1DW1A4023BS244706	1DW1A4028BS250307
1DW1A4022BS226701	1DW1A4229BS233805	1DW1A4025BS239703	1DW1A4025BS244707	1DW1A402XBS250308
1DW1A4026BS226801	1DW1A342XBS234601	1DW1A4027BS239704	1DW1A4027BS244708	1DW1A4021BS250309
1DW1A4025BS227101	1DW1A4022BS235401	1DW1A4029BS239705	1DW1A4029BS244709	1DW1A4028BS250310
1DW1A4026BS227401	1DW1A4024BS235402	1DW1A4020BS239706	1DW1A4025BS244710	1DW1A402XBS250311
1DW1A4028BS227402	1DW1A4026BS235403	1DW1A4022BS239707	1DW1A4027BS244711	1DW1A4021BS250312
1DW1A402XBS227403	1DW1A4028BS235404	1DW1A4024BS239708	1DW1A4029BS244712	1DW1A4023BS250313
1DW1A4021BS227404	1DW1A402XBS235405	1DW1A4026BS239709	1DW1A4022BS246401	1DW1A4025BS250314
1DW1A4023BS227405	1DW1A4026BS235501	1DW1A4023BS239710	1DW1A4024BS246402	1DW1A4027BS251901
1DW1A4025BS227406	1DW1A4028BS235502	1DW1A4025BS239801	1DW1A4026BS246403	1DW1A4229BS251902
1DW1A4027BS227407	1DW1A402XBS235503	1DW1A4027BS239802	1DW1A4028BS246404	1DW1A4220BS251903
1DW1A4029BS227408	1DW1A4021BS235504	1DW1A4029BS239803	1DW1A402XBS246405	1DW1A4222BS251904
1DW1A4020BS227409	1DW1A4023BS235505	1DW1A4020BS239804	1DW1A4021BS246406	1DW1A4224BS251905
1DW1A4027BS227410	1DW1A4025BS235506	1DW1A4022BS239805	1DW1A4023BS246407	1DW1A4229BS252001
1DW1A402XBS227501	1DW1A4027BS235507	1DW1A4222BS239901	1DW1A4025BS246408	1DW1A4220BS252002
1DW1A4021BS227502	1DW1A4029BS235508	1DW1A4224BS239902	1DW1A4027BS246409	1DW1A4222BS252003
1DW1A4023BS227503	1DW1A4020BS235509	1DW1A4226BS239903	1DW1A4023BS246410	1DW1A4224BS252004
1DW1A4025BS227504	1DW1A4027BS235510	1DW1A4228BS239904	1DW1A4025BS246411	1DW1A4029BS252101
1DW1A4027BS227505	1DW1A4029BS237601	1DW1A422XBS239905	1DW1A4027BS246412	1DW1A4020BS252102
1DW1A4227BS227601	1DW1A4020BS237602	1DW1A4221BS240201	1DW1A4029BS246413	1DW1A4022BS252103
1DW1A4020BS227801	1DW1A4022BS237603	1DW1A4022BS241201	1DW1A4020BS246414	1DW1A4024BS252104
1DW1A4024BS228501	1DW1A4024BS237604	1DW1A4024BS241202	1DW1A4026BS246501	1DW1A4026BS252105
1DW1A4028BS228601	1DW1A4026BS237605	1DW1A4026BS241203	1DW1A4028BS246502	1DW1A4023BS253101
1DW1A4225BS228701	1DW1A4028BS237606	1DW1A4028BS241204	1DW1A402XBS246503	1DW1A4025BS253102
1DW1A4229BS228801	1DW1A402XBS237607	1DW1A402XBS241205	1DW1A4021BS246504	1DW1A4027BS253103
1DW1A4222BS228901	1DW1A4021BS237608	1DW1A4223BS241401	1DW1A4023BS246505	1DW1A4029BS253104
1DW1A4020BS229001	1DW1A4023BS237609	1DW1A4225BS241402	1DW1A4025BS246506	1DW1A4020BS253105
1DW1A4022BS229002	1DW1A402XBS237610	1DW1A4227BS241403	1DW1A4027BS246507	1DW1A4022BS253106
1DW1A4024BS229003	1DW1A4022BS237701	1DW1A4229BS241404	1DW1A4029BS246508	1DW1A4024BS253107

Model Year 2011 Stoughton Ag Hopper Trailers – Vehicle Identification Numbers

1DW1A4026BS253108	1DW1A4023BS260209
1DW1A4028BS253109	1DW1A402XBS260210
1DW1A4024BS253110	1DW1A402XBS261101
1DW1A4026BS253111	1DW1A3428BS261201
1DW1A4028BS253112	1DW1A342XBS261202
1DW1A402XBS253113	1DW1A3421BS261203
1DW1A4021BS253114	1DW1A3423BS261204
1DW1A4226BS254501	1DW1A3425BS261205
1DW1A4228BS254502	1DW1A3427BS261206
1DW1A422XBS254503	1DW1A3429BS261207
1DW1A4221BS254504	1DW1A3420BS261208
1DW1A4223BS254505	1DW1A3422BS261209
1DW1A4225BS254506	1DW1A3429BS261210
1DW1A4227BS254507	1DW1A3420BS261211
1DW1A4229BS254508	1DW1A4023BS263501
1DW1A4220BS254509	1DW1A4228BS263801
1DW1A4227BS254510	1DW1A422XBS263802
1DW1A4229BS254511	1DW1A4221BS263803
1DW1A4220BS254512	1DW1A4223BS263804
1DW1A4222BS254513	1DW1A4225BS263805
1DW1A4224BS254514	1DW1A4227BS263806
1DW1A3424BS255301	1DW1A4028BS263901
1DW1A4220BS256101	1DW1A402XBS263902
1DW1A4222BS256102	1DW1A4021BS263903
1DW1A4224BS256103	1DW1A4023BS263904
1DW1A4226BS256104	1DW1A4025BS263905
1DW1A4228BS256105	1DW1A402XBS264001
1DW1A422XBS256106	1DW1A4021BS264002
1DW1A4221BS256107	1DW1A4023BS264003
1DW1A4223BS256108	1DW1A4025BS264004
1DW1A4225BS256109	1DW1A4027BS264005
1DW1A4221BS256110	1DW1A4029BS264006
1DW1A4223BS256111	1DW1A4020BS264007
1DW1A4225BS256112	1DW1A4022BS264008
1DW1A4227BS256113	1DW1A4227BS264101
1DW1A4229BS256114	1DW1A4229BS264102
1DW1A3426BS257101	1DW1A4220BS264103
1DW1A3428BS257102	1DW1A4222BS264104
1DW1A4025BS257201	1DW1A4228BS264401
1DW1A4022BS257401	1DW1A4229BS264701
1DW1A4024BS257402	1DW1A4224BS266601
1DW1A4026BS257403	1DW1A4226BS266602
1DW1A4028BS257404	1DW1A4228BS266603
1DW1A402XBS257405	1DW1A422XBS266604
1DW1A4021BS257406	1DW1A4221BS268001
1DW1A4023BS257407	1DW1A4223BS268002
1DW1A4025BS257408	1DW1A4225BS268003
1DW1A4027BS258401	1DW1A4022BS269001
1DW1A4024BS259201	1DW1A4024BS269002
1DW1A4026BS259202	1DW1A4026BS269003
1DW1A4028BS259203	1DW1A4028BS269004
1DW1A402XBS259204	1DW1A402XBS269005
1DW1A4021BS259205	1DW1A4021BS269006
1DW1A3427BS259701	1DW1A4023BS269007
1DW1A3429BS259702	1DW1A4022BS270701
1DW1A3420BS259703	1DW1A4024BS270702
1DW1A3422BS259704	
1DW1A4025BS260101	
1DW1A4029BS260201	
1DW1A4020BS260202	
1DW1A4022BS260203	
1DW1A4024BS260204	
1DW1A4026BS260205	
1DW1A4028BS260206	
1DW1A402XBS260207	
1DW1A4021BS260208	

Model Year 2012 Stoughton Ag Hopper Trailers – Vehicle Identification Numbers

1DW1A402XCS317801	1DW1A4025CS326907	1DW1A4225CS330405	1DW1A4227CS333807	1DW1A4027CS342204
1DW1A4021CS317802	1DW1A4027CS326908	1DW1A4227CS330406	1DW1A4229CS333808	1DW1A4029CS342205
1DW1A4023CS317803	1DW1A4029CS326909	1DW1A4229CS330407	1DW1A4220CS333809	1DW1A4229CS342301
1DW1A4025CS317804	1DW1A4025CS326910	1DW1A4220CS330408	1DW1A4227CS333810	1DW1A4220CS342302
1DW1A4027CS317805	1DW1A4026CS327001	1DW1A4222CS330409	1DW1A422XCS333901	1DW1A4222CS342303
1DW1A4029CS317806	1DW1A4028CS327002	1DW1A4229CS330410	1DW1A4221CS333902	1DW1A4224CS342304
1DW1A4020CS317807	1DW1A402XCS327003	1DW1A4226CS330901	1DW1A4223CS333903	1DW1A4226CS342305
1DW1A4022CS317808	1DW1A4021CS327004	1DW1A4228CS330902	1DW1A4225CS333904	1DW1A4029CS342401
1DW1A4024CS317809	1DW1A4023CS327005	1DW1A422XCS330903	1DW1A4227CS333905	1DW1A4020CS342402
1DW1A4020CS317810	1DW1A402XCS327101	1DW1A4025CS331301	1DW1A4223CS336901	1DW1A4022CS342501
1DW1A4022CS317811	1DW1A4021CS327102	1DW1A4027CS331302	1DW1A4022CS337301	1DW1A4024CS342502
1DW1A4024CS317812	1DW1A4023CS327103	1DW1A4029CS331303	1DW1A4024CS337302	1DW1A4026CS342503
1DW1A4026CS317813	1DW1A4025CS327104	1DW1A4020CS331304	1DW1A4026CS337303	1DW1A4028CS342504
1DW1A4028CS317814	1DW1A4027CS327105	1DW1A4022CS331305	1DW1A4028CS337304	1DW1A402XCS342505
1DW1A402XCS317815	1DW1A4227CS327201	1DW1A4222CS331401	1DW1A402XCS337305	1DW1A4021CS342506
1DW1A4024CS317901	1DW1A4229CS327202	1DW1A4023CS331402	1DW1A422XCS337401	1DW1A4029CS342507
1DW1A4229CS317902	1DW1A4220CS327203	1DW1A4226CS331403	1DW1A4221CS337402	1DW1A4025CS342508
1DW1A4220CS317903	1DW1A4222CS327204	1DW1A4228CS331404	1DW1A4223CS337403	1DW1A4027CS342509
1DW1A4222CS317904	1DW1A4224CS327205	1DW1A422XCS331405	1DW1A4225CS337404	1DW1A4023CS342510
1DW1A4224CS317905	1DW1A4226CS327206	1DW1A4022CS331501	1DW1A402XCS337501	1DW1A4026CS342511
1DW1A4226CS317906	1DW1A4228CS327207	1DW1A4024CS331502	1DW1A4021CS337502	1DW1A4027CS342512
1DW1A4228CS317907	1DW1A422XCS327208	1DW1A4026CS331503	1DW1A4023CS337503	1DW1A4029CS342513
1DW1A4221CS321801	1DW1A4221CS327209	1DW1A4028CS331504	1DW1A4025CS337504	1DW1A4020CS342514
1DW1A4225DS322001	1DW1A4228CS327210	1DW1A402XCS331505	1DW1A4027CS337505	1DW1A4022CS342515
1DW1A4227DS322002	1DW1A4027CS327301	1DW1A4026CS331601	1DW1A4029CS337506	1DW1A4024CS342516
1DW1A4229DS322003	1DW1A4029CS327302	1DW1A4028CS331602	1DW1A4020CS337507	1DW1A4026CS342517
1DW1A4220DS322004	1DW1A4020CS327303	1DW1A402XCS331603	1DW1A4022CS337508	1DW1A4028CS342518
1DW1A4222DS322005	1DW1A4022CS327304	1DW1A4021CS331604	1DW1A4024CS337509	1DW1A402XCS342519
1DW1A4224DS322006	1DW1A4024CS327305	1DW1A4020CS331605	1DW1A4020CS337510	1DW1A4026CS342520
1DW1A4226DS322007	1DW1A4223CS328801	1DW1A4025CS331606	1DW1A4227CS337601	1DW1A4028CS342521
1DW1A4228DS322008	1DW1A4225CS328802	1DW1A4027CS331607	1DW1A4229CS337602	1DW1A402XCS342522
1DW1A422XDS322009	1DW1A4227CS328803	1DW1A4029CS331608	1DW1A4220CS337603	1DW1A4021CS342523
1DW1A4220DS322010	1DW1A4229CS328804	1DW1A4022CS331609	1DW1A4222CS337604	1DW1A4023CS342524
1DW1A4026CS322901	1DW1A4220CS328805	1DW1A4027CS331610	1DW1A4224CS337605	1DW1A4025CS342525
1DW1A4028CS322902	1DW1A4222CS328806	1DW1A3429CS333301	1DW1A4027CS337701	1DW1A4027CS342526
1DW1A422XCS325801	1DW1A4224CS328807	1DW1A3420CS333302	1DW1A4029CS337702	1DW1A4029CS342527
1DW1A4221CS325802	1DW1A4226CS328808	1DW1A3422CS333303	1DW1A4020CS337703	1DW1A4020CS342528
1DW1A4223CS325803	1DW1A4228CS328809	1DW1A4025CS333601	1DW1A4022CS337704	1DW1A4022CS342529
1DW1A4225CS325804	1DW1A4224CS328810	1DW1A4027CS333602	1DW1A4024CS337705	1DW1A4029CS342530
1DW1A4227CS325805	1DW1A4227CS328901	1DW1A4029CS333603	1DW1A4020CS337801	1DW1A4020CS342531
1DW1A4229CS325806	1DW1A4229CS328902	1DW1A4020CS333604	1DW1A4027CS341201	1DW1A4022CS342532
1DW1A4220CS325807	1DW1A4220CS328903	1DW1A4022CS333605	1DW1A4029CS341202	1DW1A4024CS342533
1DW1A4222CS325808	1DW1A4222CS328904	1DW1A4024CS333606	1DW1A4020CS341203	1DW1A4026CS342534
1DW1A4224CS325809	1DW1A4224CS328905	1DW1A4026CS333607	1DW1A4022CS341204	1DW1A4028CS342535
1DW1A4220CS325810	1DW1A4226CS328906	1DW1A4028CS333608	1DW1A4024CS341205	1DW1A422XCS342601
1DW1A342XCS326101	1DW1A4228CS328907	1DW1A402XCS333609	1DW1A4026CS341206	1DW1A4221CS342602
1DW1A3421CS326102	1DW1A422XCS328908	1DW1A4026CS333610	1DW1A4028CS341207	1DW1A4223CS342603
1DW1A4024CS326901	1DW1A4221CS328909	1DW1A4226CS333801	1DW1A402XCS341208	1DW1A4225CS342604
1DW1A4026CS326902	1DW1A4228CS328910	1DW1A4228CS333802	1DW1A4021CS341209	1DW1A4227CS342605
1DW1A4028CS326903	1DW1A4228CS330401	1DW1A422XCS333803	1DW1A4028CS341210	1DW1A4228CS344301
1DW1A402XCS326904	1DW1A422XCS330402	1DW1A4221CS333804	1DW1A4021CS342201	
1DW1A4021CS326905	1DW1A4221CS330403	1DW1A4223CS333805	1DW1A4023CS342202	
1DW1A4023CS326906	1DW1A4223CS330404	1DW1A4225CS333806	1DW1A4025CS342203	

***NOTE: SOME OF THE MY2012 UNITS WERE
UPGRADED PRIOR TO LEAVING PLANT***



REPAIR DOCUMENT

Ag Hopper Trailer Bolt-On Suspension

Repair Document #: **RD-00032**
 Date: September 6, 2012
 Revision: None
 Revision Date: N/A

Contact Information:

If you have any questions about this Repair Document please contact the Stoughton Trailers Customer Service Department by telephone (608)-873-2555 or by email (warranty@stoughtontrailers.com).

Subject:

STOUGHTON TRAILER's recommended maintenance procedure and interval for torquing bolts connecting suspension to aluminum subframe. The proper suspension to aluminum subframe bolt torque on model years 2009, 2010, 2011, and 2012 Stoughton Ag Hopper Trailers will prevent the bolts from loosening and possibly causing cracking in the subframe rails.

Models:

Trailers covered by this campaign can be identified by the following:

1. Model: AHV
2. Model Years: 2009, 2010, 2011, 2012
 - a. VIN Model Year Date Codes of 9, A, B, and C
3. Date of Manufacture: December 2007 thru November 2011
4. Built with aluminum subframes and bolt on suspensions

Code	Year	Code	Year
Y =	2000	A =	2010
1 =	2001	B =	2011
2 =	2002	C =	2012
3 =	2003	D =	2013
4 =	2004	E =	2014
5 =	2005	F =	2015
6 =	2006	G =	2016
7 =	2007	H =	2017
8 =	2008	J =	2018
9 =	2009	K =	2019

Figure 1: Model Year Date Code

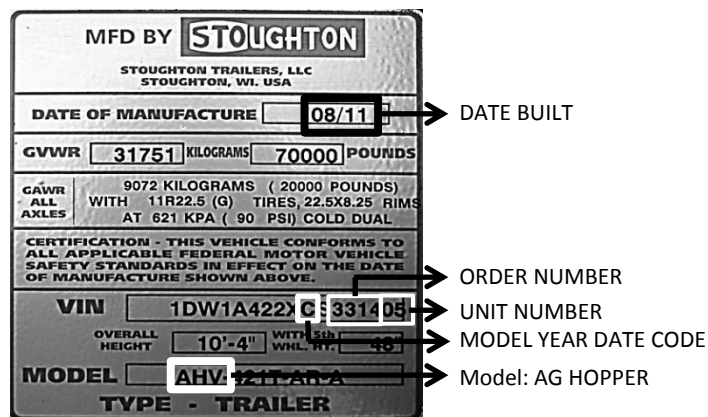


Figure 2: Stoughton Trailers VIN plate

Issue:

With use of the bolts connecting the suspension to the aluminum subframe on the Ag Hopper trailer may become loose. If the bolts are not kept tight the structure may be impaired.

Remedy:

Maintain the proper torque on the bolts.

Warning:

During all steps of the repair and modification procedures one must use appropriate safety precautions.

- Use personal safety equipment when working on any trailer (i.e. safety glasses, hearing protection, safety shoes, etc.).
- Trailer must be supported at all times to prevent movement throughout the modification process.
 - Check landing gear is in proper working order prior to modification
- The trailer must be completely empty before any repairs or modifications are made.

Procedure:

1. After initial 3 months of use or 5000 miles the bolts should be checked and re-torqued as necessary.
2. At every PM or annually, whichever is less; the bolts should be checked and re-torqued as necessary.
3. Check torque of all bolts used to mount the suspension to the aluminum subframe rail. The 5/8in diameter bolts must be a minimum of 135 ft-lbs and maximum of 180 ft-lbs. If they do not fall into this range they should be re-torqued to the nominal 150 ft-lbs.



REPAIR DOCUMENT

Ag Hopper Top Rail Rivet Upgrade

Repair Document #: **RD-00033**
 Date: August 17, 2012
 Revision: None
 Revision Date: N/A

Contact Information:

If you have any questions about this Repair Document please contact the Stoughton Trailers warranty/customer service department by telephone (608)-873-2555 or by email (warranty@stoughtontrailers.com).

Subject:

Stoughton Trailers LLC recommends inspecting and adding additional fasteners to the top rails of all MY2009 and most MY2010 Ag Hopper Trailers the next time they come in for repair or service. The fasteners on the top horizontal surfaces of the top rails on these Model years are spaced 12 inches apart. This upgrade calls for adding more rivets to the top rail, resulting in rivets on 4 inch centers as opposed to 12 inch. This will improve the durability of the top rail in demanding environments.

Models:

Trailers that qualify for this upgrade can be identified by the following:

1. Model: AHV
2. Model Years: 2009, 2010
 - a. VIN Model Year Date Codes of 9 or A
3. Date of Manufacture: December 2007 thru October 2009
4. Reference Appendix A for a complete list of units covered.

Code	Year	Code	Year
Y =	2000	A =	2010
1 =	2001	B =	2011
2 =	2002	C =	2012
3 =	2003	D =	2013
4 =	2004	E =	2014
5 =	2005	F =	2015
6 =	2006	G =	2016
7 =	2007	H =	2017
8 =	2008	J =	2018
9 =	2009	K =	2019

Figure 1: Model Year Date Code

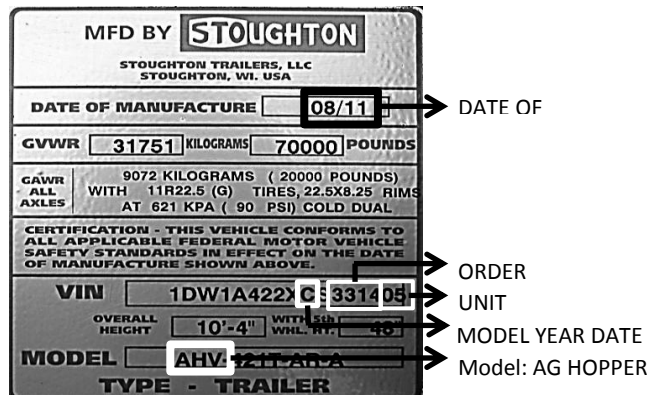


Figure 2: Stoughton Trailers VIN plate

Upgrade Description:

Stoughton Trailers recognizes that Ag Hopper Trailers will not always be operated in optimal conditions. The ground condition, road quality, and load all vary for each user. These variations can impart added loads throughout the unit resulting in accelerated wear of some components. On MY2009 and MY2010 trailers accelerated wear and loosening has been noted on rivets connecting the top horizontal legs of the two top rail halves. A visible indicator of this is black oxidization (smoking) forming around the heads of the rivets. Over time this could lead to rivets breaking, or the top rails cracking. When one of these trailers is brought in to a Stoughton dealer the trailer should be inspected and upgraded with added fasteners.

This upgrade involves the installation of additional rivets between the existing rivets in the top rail. Currently the top rail rivets are at 12 inch centers. After the upgrade the rivets will be on 4 inch centers. This will improve the durability of the trailer, allowing it to function longer in the difficult conditions an Ag Hopper Trailer experiences.

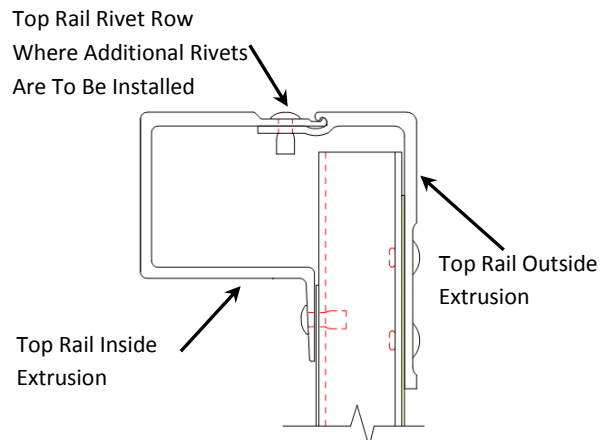


Figure 3: Top Rail Cross Section

Warning:

1. During all steps of the upgrade procedure one must use appropriate safety precautions.
 - a. Use personal safety equipment when working on any trailer (i.e. safety glasses, hearing protection, safety shoes, etc.).
 - b. The trailer must be empty before the upgrade is installed.
2. This upgrade will not change the load capacity of the Ag Hopper Trailer. Failure to comply with the unit's load capacity could lead to structural failure.

Inspection:

All MY2009 and MY2010 Ag Hopper Trailers that come in for service should be inspected.

1. Check the top rail to determine if rivets are on 12 inch centers.
 - a. Some MY2009 and MY2010 Ag Hopper Trailers have top rails with rivets on 6 inch centers from the factory or previous upgrades. These trailers require no modification.
2. Confirm there are no original structural pull rivets missing
 - a. If a rivet is missing replace with new rivet.
3. Look for "smoking" rivets.

- a. Smoking rivets (Fig 4) have black oxidation around the head indicating movement between the rivet and the aluminum extrusion. The addition of new rivets will eliminate the movement.
- b. Check if “Smoking” rivets can be moved by hand, if so they are loose. Loose rivets must be removed and replaced.



Figure 4: “Smoking” top rail rivet.

Upgrade Procedure:

All Ag Hopper Trailers found to have top rail rivets at 12 inch centers should have this upgrade.

<u>Part Number</u>	<u>Description</u>	<u>Quantity</u>
04-97072	Huck 1/4 in Mono-bolt SS	160

Tools

Drill with 17/64 in bit
 Mono-bolt Rivet Gun

Procedure:

1. Clean top rail to so that debris does not affect installation of rivets.
2. Drill 17/64 holes on 4 inch centers between existing rivets (Fig. 5).
3. Install 1/4 inch mono-bolts in holes so that rivets on both top rails are now on 4 inch centers.

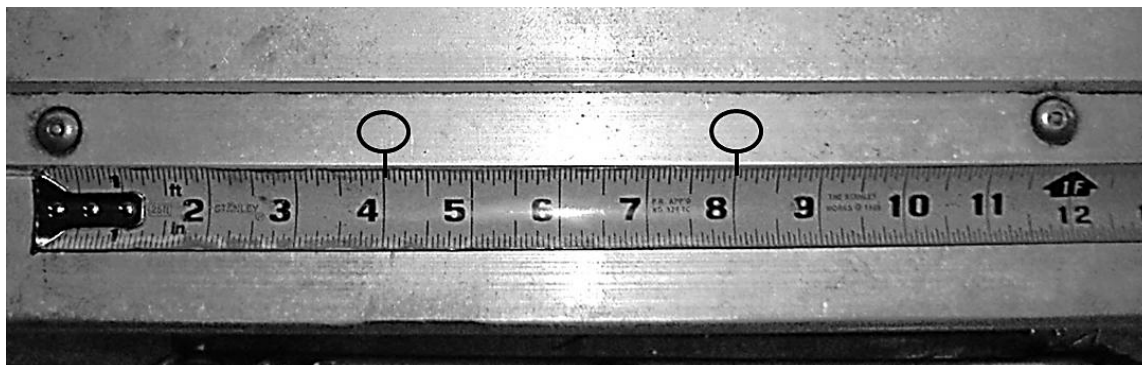


Figure 5: Placement of rivets during upgrade.

Appendix A.
Affected Units

2009 Affected Unit Vin Numbers

1DW1A40209S078901	1DW1A40279S125504	1DW1A422X9S125610	1DW1A40299S137802	1DW1A402X9S142913
1DW1A402X9S087301	1DW1A40299S125505	1DW1A42219S125611	1DW1A40209S137803	1DW1A40219S142914
1DW1A42279S108201	1DW1A40209S125506	1DW1A42239S125612	1DW1A40229S137804	1DW1A40239S142915
1DW1A42299S108202	1DW1A40229S125507	1DW1A42259S125613	1DW1A40249S137805	1DW1A40259S143001
1DW1A42209S108203	1DW1A40249S125508	1DW1A42279S125614	1DW1A40269S137806	1DW1A40279S143002
1DW1A42229S108204	1DW1A40269S125509	1DW1A42299S125615	1DW1A40289S137807	1DW1A40299S143003
1DW1A42249S108205	1DW1A40229S125510	1DW1A40299S126301	1DW1A402X9S137808	1DW1A40209S143004
1DW1A42269S108206	1DW1A40249S125511	1DW1A40299S126302	1DW1A40219S137809	1DW1A40219S143005
1DW1A42289S108207	1DW1A40269S125512	1DW1A422X9S126501	1DW1A40289S137810	1DW1A40249S143006
1DW1A422X9S108208	1DW1A40289S125513	1DW1A42239S126601	1DW1A42249S137901	1DW1A40269S143007
1DW1A42219S108209	1DW1A402X9S125514	1DW1A42259S126602	1DW1A42269S137902	1DW1A40289S143008
1DW1A40269S108210	1DW1A40219S125515	1DW1A40299S126901	1DW1A42289S137903	1DW1A40219S143009
1DW1A42209S108301	1DW1A40239S125516	1DW1A40219S128902	1DW1A422X9S137904	1DW1A40269S143010
1DW1A42229S108302	1DW1A40259S125517	1DW1A40239S128903	1DW1A42219S137905	1DW1A40289S143011
1DW1A42249S108303	1DW1A40279S125518	1DW1A40259S128904	1DW1A42239S137906	1DW1A402X9S143012
1DW1A40269S108304	1DW1A40299S125519	1DW1A40279S128905	1DW1A42259S137907	1DW1A40229S143013
1DW1A42289S108305	1DW1A40259S125520	1DW1A40299S129201	1DW1A42279S137908	1DW1A40239S143014
1DW1A422X9S108306	1DW1A40279S125521	1DW1A42289S129901	1DW1A42299S137909	1DW1A40259S143015
1DW1A42219S108307	1DW1A40299S125522	1DW1A422X9S129902	1DW1A42259S137910	1DW1A40299S143101
1DW1A42239S108308	1DW1A40209S125523	1DW1A40269S130001	1DW1A40229S138001	1DW1A40209S143102
1DW1A42259S108309	1DW1A40229S125524	1DW1A402X9S131801	1DW1A40249S138002	1DW1A40229S143103
1DW1A42219S108310	1DW1A40249S125525	1DW1A40219S131802	1DW1A40269S138003	1DW1A40249S143104
1DW1A40229S115401	1DW1A40269S125526	1DW1A40239S131803	1DW1A40289S138004	1DW1A40269S143105
1DW1A40249S115402	1DW1A40289S125527	1DW1A40259S131804	1DW1A402X9S138005	1DW1A40289S143106
1DW1A40269S115403	1DW1A402X9S125528	1DW1A40279S131805	1DW1A40269S138101	1DW1A402X9S143107
1DW1A40289S115404	1DW1A40219S125529	1DW1A40239S131901	1DW1A40289S138102	1DW1A40219S143108
1DW1A402X9S115405	1DW1A40289S125530	1DW1A40259S131902	1DW1A402X9S138103	1DW1A40239S143109
1DW1A40219S115406	1DW1A402X9S125531	1DW1A40279S131903	1DW1A40219S138104	1DW1A402X9S143110
1DW1A40239S115407	1DW1A40219S125532	1DW1A40299S131904	1DW1A40239S138105	1DW1A40229S143201
1DW1A40259S115408	1DW1A40239S125533	1DW1A40209S131905	1DW1A402X9S138201	1DW1A40249S143202
1DW1A40279S115409	1DW1A40259S125534	1DW1A40229S131906	1DW1A40219S138202	1DW1A40269S143203
1DW1A40239S115410	1DW1A40279S125535	1DW1A40249S131907	1DW1A40239S138203	1DW1A40289S143204
1DW1A40269S115501	1DW1A40299S125536	1DW1A40269S131908	1DW1A40259S138204	1DW1A40259S143205
1DW1A40289S115502	1DW1A40209S125537	1DW1A40289S131909	1DW1A40279S138205	1DW1A422X9S143301
1DW1A402X9S115503	1DW1A40229S125538	1DW1A40249S131910	1DW1A40239S138301	1DW1A42219S143302
1DW1A40219S115504	1DW1A40249S125539	1DW1A40269S131911	1DW1A40259S138302	1DW1A42239S143303
1DW1A40239S115505	1DW1A40209S125540	1DW1A40289S131912	1DW1A40279S138303	1DW1A42259S143304
1DW1A40259S115506	1DW1A40229S125541	1DW1A402X9S131913	1DW1A40299S138304	1DW1A42279S143305
1DW1A40279S115507	1DW1A40249S125542	1DW1A40219S131914	1DW1A40209S138305	1DW1A42299S143306
1DW1A40299S115508	1DW1A40269S125543	1DW1A40239S131915	1DW1A42209S138401	1DW1A42209S143307
1DW1A40209S115509	1DW1A40289S125544	1DW1A40259S131916	1DW1A42229S138402	1DW1A42229S143308
1DW1A40279S115510	1DW1A402X9S125545	1DW1A40279S131917	1DW1A42249S138403	1DW1A42249S143309
1DW1A42259S119701	1DW1A40219S125546	1DW1A40299S131918	1DW1A42269S138404	1DW1A42209S143310
1DW1A42279S119702	1DW1A40239S125547	1DW1A40209S131919	1DW1A42289S138405	1DW1A42239S143401
1DW1A40249S123001	1DW1A40259S125548	1DW1A40279S131920	1DW1A42249S138501	1DW1A42259S143402
1DW1A40269S123002	1DW1A40279S125549	1DW1A40299S131921	1DW1A42269S138502	1DW1A42279S143403
1DW1A40289S123003	1DW1A40239S125550	1DW1A40209S131922	1DW1A42289S138503	1DW1A42299S143404
1DW1A402X9S123004	1DW1A40259S125551	1DW1A40229S131923	1DW1A422X9S138504	1DW1A42209S143405
1DW1A40219S123005	1DW1A40279S125552	1DW1A40249S131924	1DW1A42219S138505	1DW1A42239S144001
1DW1A40239S123006	1DW1A40299S125553	1DW1A40269S131925	1DW1A40299S142501	1DW1A40249S144401
1DW1A40259S123007	1DW1A40209S125554	1DW1A402X9S132401	1DW1A40209S142502	1DW1A42219S144501
1DW1A422X9S123601	1DW1A40229S125555	1DW1A40219S132402	1DW1A40229S142503	1DW1A42219S145101
1DW1A40219S124901	1DW1A40249S125556	1DW1A40239S132403	1DW1A40249S142504	1DW1A42259S147501
1DW1A40239S124902	1DW1A40269S125557	1DW1A40259S132404	1DW1A40269S142505	1DW1A40289S148001
1DW1A40259S124903	1DW1A40289S125558	1DW1A40279S132405	1DW1A40239S142901	1DW1A402X9S148002
1DW1A40279S124904	1DW1A402X9S125559	1DW1A40239S137701	1DW1A40259S142902	1DW1A40219S148003
1DW1A40299S124905	1DW1A40269S125560	1DW1A40259S137702	1DW1A40279S142903	1DW1A40239S148004
1DW1A40209S124906	1DW1A42299S125601	1DW1A40279S137703	1DW1A40299S142904	1DW1A40259S148005
1DW1A40229S124907	1DW1A42209S125602	1DW1A40299S137704	1DW1A40209S142905	1DW1A40279S148006
1DW1A40249S124908	1DW1A42229S125603	1DW1A40209S137705	1DW1A40229S142906	1DW1A40299S148007
1DW1A40269S124909	1DW1A42249S125604	1DW1A40229S137706	1DW1A40249S142907	1DW1A40209S148008
1DW1A40229S124910	1DW1A42269S125605	1DW1A40249S137707	1DW1A40269S142908	1DW1A40229S148009
1DW1A40249S125301	1DW1A42289S125606	1DW1A40269S137708	1DW1A40289S142909	1DW1A40299S148010
1DW1A40219S125501	1DW1A422X9S125607	1DW1A40289S137709	1DW1A40249S142910	1DW1A40279S149401
1DW1A40239S125502	1DW1A42219S125608	1DW1A40249S137710	1DW1A40269S142911	1DW1A42249S152401
1DW1A40259S125503	1DW1A42239S125609	1DW1A40279S137801	1DW1A40289S142912	1DW1A42269S152402

2010 Affected Unit Vin Numbers

1DW1A42289S152403	1DW1A42249S166301	1DW1A40229S169829	1DW1A40239S175512
1DW1A40299S153501	1DW1A42269S166302	1DW1A40299S169830	1DW1A40259S175513
1DW1A402X9S156701	1DW1A42289S166303	1DW1A40209S169831	1DW1A40279S175514
1DW1A40219S156702	1DW1A42289S166401	1DW1A40229S169832	1DW1A40299S175515
1DW1A40239S156703	1DW1A40219S166601	1DW1A40249S169833	1DW1A40209S175516
1DW1A40259S156704	1DW1A40239S166602	1DW1A40269S169834	1DW1A40229S175517
1DW1A40279S156705	1DW1A42299S166701	1DW1A40289S169835	1DW1A40249S175518
1DW1A40299S156706	1DW1A42209S166702	1DW1A4226AS171701	1DW1A40269S175519
1DW1A40209S156707	1DW1A40239S167801	1DW1A40279S172001	
1DW1A40229S156708	1DW1A40259S167802	1DW1A40299S172002	
1DW1A40249S156709	1DW1A40279S167803	1DW1A40209S172003	
1DW1A40209S156710	1DW1A40299S167804	1DW1A40229S172004	
1DW1A40229S156711	1DW1A40209S167805	1DW1A40249S172005	
1DW1A40249S156712	1DW1A42209S167901	1DW1A40269S172006	
1DW1A40269S156713	1DW1A42229S167902	1DW1A40289S172007	
1DW1A40289S156714	1DW1A42249S167903	1DW1A402X9S172008	
1DW1A402X9S156715	1DW1A42269S167904	1DW1A40219S172009	
1DW1A42239S160201	1DW1A42289S167905	1DW1A40289S172010	
1DW1A40279S161001	1DW1A40299S168001	1DW1A402X9S172011	
1DW1A40299S161002	1DW1A40209S168002	1DW1A40219S172012	
1DW1A40209S161003	1DW1A40239S168401	1DW1A40239S172013	
1DW1A402X9S162501	1DW1A40259S168402	1DW1A40259S172014	
1DW1A40219S162502	1DW1A40279S168403	1DW1A40279S172015	
1DW1A40279S162701	1DW1A40299S168404	1DW1A40299S172016	
1DW1A40299S162702	1DW1A40209S168405	1DW1A40209S172017	
1DW1A40209S162703	1DW1A40229S168406	1DW1A40229S172018	
1DW1A40229S162704	1DW1A40249S168407	1DW1A40249S172019	
1DW1A40249S162705	1DW1A40279S168501	1DW1A40209S172020	
1DW1A40269S162706	1DW1A40299S168502	1DW1A40229S172021	
1DW1A40289S162707	1DW1A40209S168503	1DW1A40249S172022	
1DW1A402X9S162708	1DW1A40229S168504	1DW1A40269S172023	
1DW1A40219S162709	1DW1A40249S168505	1DW1A40289S172024	
1DW1A40289S162710	1DW1A40269S168506	1DW1A402X9S172025	
1DW1A402X9S162711	1DW1A40289S168507	1DW1A40219S172026	
1DW1A40219S162712	1DW1A402X9S168508	1DW1A40239S172027	
1DW1A40239S162713	1DW1A40219S168509	1DW1A40259S172028	
1DW1A40259S162714	1DW1A40289S168510	1DW1A40279S172029	
1DW1A40279S162715	1DW1A42289S169301	1DW1A40239S172030	
1DW1A40209S162801	1DW1A40229S169801	1DW1A40259S172031	
1DW1A40229S162802	1DW1A40249S169802	1DW1A40279S172032	
1DW1A40249S162803	1DW1A40269S169803	1DW1A40299S172033	
1DW1A40269S162804	1DW1A40289S169804	1DW1A40209S172034	
1DW1A40289S162805	1DW1A402X9S169805	1DW1A40229S172035	
1DW1A42289S162901	1DW1A40219S169806	1DW1A40249S172036	
1DW1A422X9S162902	1DW1A40239S169807	1DW1A4020AS172801	
1DW1A42219S162903	1DW1A40259S169808	1DW1A40219S174701	
1DW1A42239S162904	1DW1A40279S169809	1DW1A40239S174702	
1DW1A42259S162905	1DW1A40239S169810	1DW1A40259S174703	
1DW1A422X9S163001	1DW1A40259S169811	1DW1A40279S174704	
1DW1A42219S163002	1DW1A40279S169812	1DW1A40299S174705	
1DW1A42239S163003	1DW1A40299S169813	1DW1A40209S174706	
1DW1A42259S163004	1DW1A40209S169814	1DW1A40229S174707	
1DW1A42279S163005	1DW1A40229S169815	1DW1A40249S174708	
1DW1A3429AS163101	1DW1A40249S169816	1DW1A40269S174709	
1DW1A42279S163201	1DW1A40269S169817	1DW1A40229S174710	
1DW1A40279S163301	1DW1A40289S169818	1DW1A40299S175501	
1DW1A40209S163401	1DW1A402X9S169819	1DW1A40209S175502	
1DW1A42229S164501	1DW1A40269S169820	1DW1A40229S175503	
1DW1A42269S164601	1DW1A40289S169821	1DW1A40249S175504	
1DW1A422X9S164701	1DW1A402X9S169822	1DW1A40269S175505	
1DW1A42279S164901	1DW1A40219S169823	1DW1A40289S175506	
1DW1A42299S165001	1DW1A40239S169824	1DW1A402X9S175507	
1DW1A40299S165101	1DW1A40259S169825	1DW1A40219S175508	
1DW1A40209S165102	1DW1A40279S169826	1DW1A40239S175509	
1DW1A40229S165103	1DW1A40299S169827	1DW1A402X9S175510	
1DW1A40249S165104	1DW1A40209S169828	1DW1A40219S175511	

2010 Affected Unit Vin Numbers

1DW1A402XAS176001	1DW1A3423AS176507	1DW1A4029AS184803	1DW1A4025AS188802	1DW1A4227AS202101
1DW1A4023AS176101	1DW1A3425AS176508	1DW1A4020AS184804	1DW1A4028AS189801	1DW1A4025AS203301
1DW1A4025AS176102	1DW1A3427AS176509	1DW1A4022AS184805	1DW1A4029AS190701	1DW1A4021AS204901
1DW1A4027AS176103	1DW1A3423AS176510	1DW1A4024AS184806	1DW1A4023AS191701	1DW1A4221AS205401
1DW1A4029AS176104	1DW1A3426AS176601	1DW1A4029AS184901	1DW1A4025AS191702	1DW1A3421AS206801
1DW1A4020AS176105	1DW1A3428AS176602	1DW1A4020AS184902	1DW1A4027AS192401	1DW1A3423AS206802
1DW1A4022AS176106	1DW1A342XAS176603	1DW1A4023AS186501	1DW1A4029AS192402	1DW1A3425AS206803
1DW1A4024AS176107	1DW1A3421AS176604	1DW1A4025AS186502	1DW1A4020AS192403	1DW1A3425AS207501
1DW1A4026AS176108	1DW1A3423AS176605	1DW1A4027AS186503	1DW1A4022AS192404	1DW1A4024AS207601
1DW1A4028AS176109	1DW1A3425AS176606	1DW1A4027AS186601	1DW1A4024AS192405	1DW1A4028AS207701
1DW1A4024AS176110	1DW1A3427AS176607	1DW1A4020AS187301	1DW1A4024AS192601	1DW1A402XAS208901
1DW1A4027AS176201	1DW1A3429AS176608	1DW1A4028AS188101	1DW1A4029AS194201	1DW1A4228AS211101
1DW1A4029AS176202	1DW1A3420AS176609	1DW1A402XAS188102	1DW1A4020AS194202	1DW1A4022AS211601
1DW1A4020AS176203	1DW1A3427AS176610	1DW1A4021AS188103	1DW1A4022AS194203	1DW1A4026AS211701
1DW1A4022AS176204	1DW1A4021AS179501	1DW1A4023AS188104	1DW1A4024AS194204	1DW1A3428AS212501
1DW1A4024AS176205	1DW1A4023AS179502	1DW1A4025AS188105	1DW1A4026AS194205	1DW1A402XAS213001
1DW1A4224AS176301	1DW1A4025AS179601	1DW1A4222AS188401	1DW1A4028AS194206	
1DW1A4226AS176302	1DW1A4027AS179602	1DW1A4224AS188402	1DW1A402XAS194207	
1DW1A4228AS176401	1DW1A4022AS179801	1DW1A4226AS188403	1DW1A4023AS194601	
1DW1A3422AS176501	1DW1A4225AS180101	1DW1A4226AS188501	1DW1A4025AS196401	
1DW1A3424AS176502	1DW1A4226AS180401	1DW1A4228AS188502	1DW1A4021AS200301	
1DW1A3426AS176503	1DW1A422XAS180501	1DW1A422XAS188601	1DW1A4026AS200701	
1DW1A3428AS176504	1DW1A4022AS181001	1DW1A402XAS188701	1DW1A402XAS200801	
1DW1A342XAS176505	1DW1A4025AS184801	1DW1A4021AS188702	1DW1A4023AS200901	
1DW1A3421AS176506	1DW1A4027AS184802	1DW1A4023AS188801	1DW1A4027AS201601	



REPAIR DOCUMENT

Hopper Bulkhead Upgrade

Repair Document #: **RD-00035**
 Date: August 1, 2012
 Revision: B
 Revision Date: March 15, 2013

Contact Information:

If you have any questions about this Repair Document please contact the Stoughton Trailers Customer Service Department by telephone (608)-873-2555 or by email (warranty@stoughtontrailers.com).

Subject:

Procedure to improve the durability of the model years 2009, 2010, 2011, and 2012 Stoughton Ag Hopper Trailers center divider, which separates the two hoppers.

Models:

Trailers benefiting from this upgrade can be identified by the following:

1. Model: AHV
2. Model Years: 2009, 2010, 2011, 2012
 - a. VIN Model Year Date Codes of 9, A, B, and C
3. Date of Manufacture: December 2007 thru November 2011

Code	Year	Code	Year
Y =	2000	A =	2010
1 =	2001	B =	2011
2 =	2002	C =	2012
3 =	2003	D =	2013
4 =	2004	E =	2014
5 =	2005	F =	2015
6 =	2006	G =	2016
7 =	2007	H =	2017
8 =	2008	J =	2018
9 =	2009	K =	2019

Figure 1: Model Year Date Code character

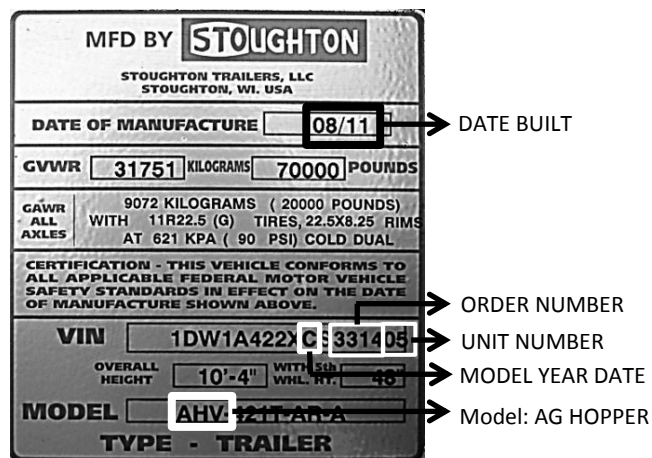


Figure 2: Stoughton Trailers VIN

Issue:

It has been found that in some cases the center divider which separates the two hoppers may become no longer fastened to the trailer side wall.

Remedy:

In order to maintain the connection from the center divider to the side wall fasteners will be replaced with larger and stronger fasteners and also extra fasteners will be added.

Warning:

During all steps of the repair and modification procedures one must use appropriate safety precautions.

- Use personal safety equipment when working on any trailer (i.e. safety glasses, hearing protection, safety shoes, etc.).
- Trailer must be supported at all times to prevent movement throughout the modification process.
 - Check landing gear is in proper working order prior to modification
- The trailer must be completely empty before any repairs or modifications are made.

UPGRADE PROCEDURE:

Work to be Performed

1. Replace rivets at the ends of the stiffeners with 5/16in bolts.
2. Add additional 1/4in mono-bolts between the existing fasteners along each edge.

Parts Required

<u>Part Number</u>	<u>Description</u>	<u>Quantity</u>
04-97072	Rivet, Mono-bolt, 1/4in	10
04-95120-125	Bolt, 5/16 x 1 ¼, SS302	8
04-95502	Locknut, 5/16	8

Procedure:

1. Remove fasteners at bulkhead edges next to sidewall, 4 each end, 8 total. Figures 3 and 4.
 - a. Drill holes out to 5/16, install 5/16 x 1 ¼ bolts and locknuts. Torque nut on outside of hopper to 12 ft-lb.

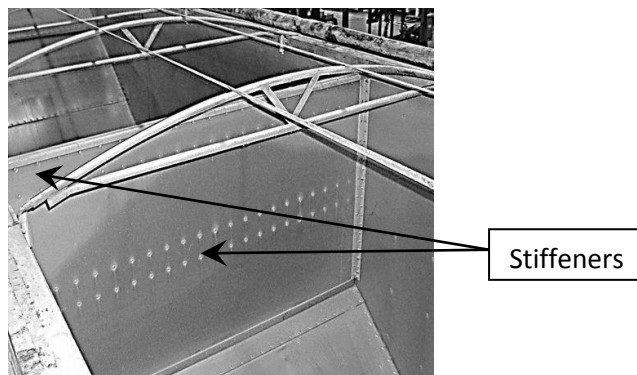
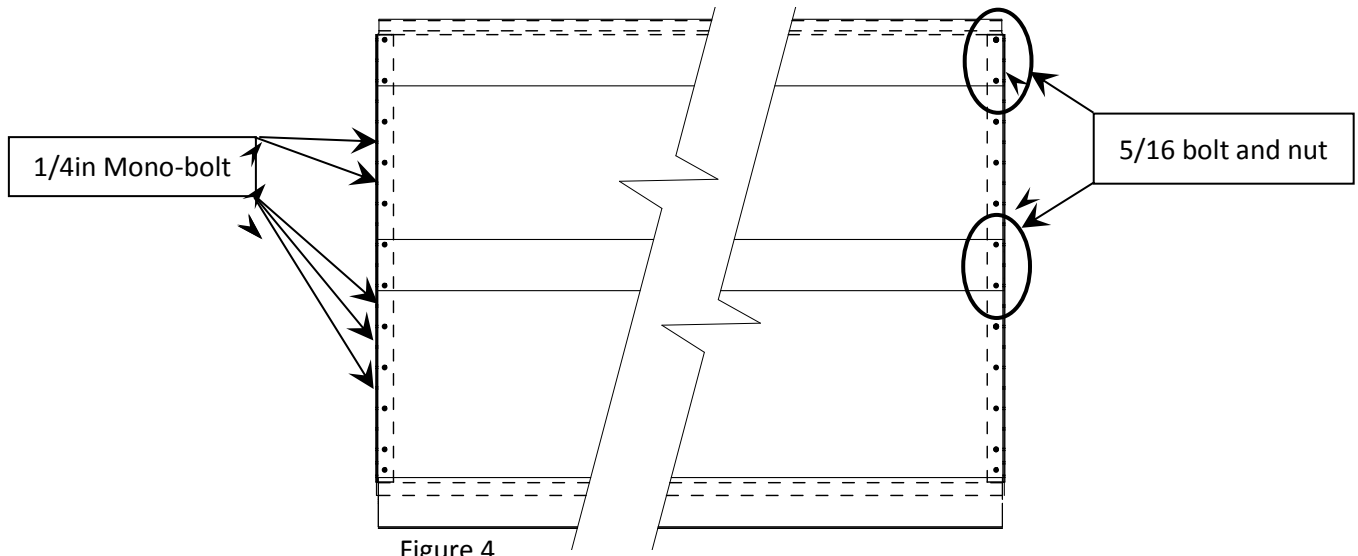


Figure 3,

2. Install 1/4 Mono-bolts between stiffeners and between existing rivets, 5 each side.





REPAIR DOCUMENT

Ag Hopper Trailer Aluminum Subframe Structure Upgrade

Repair Document #: **RD-00041**
 Date: March 27, 2013
 Revision: None
 Revision Date: N/A

Contact Information:

If you have any questions about this Repair Document please contact the Stoughton Trailers Customer Service Department by telephone (608)-873-2555 or by email (warranty@stoughtontrailers.com).

Subject:

Recommended repair procedure for upgrading the aluminum subframe of the Ag Hopper trailers. The appropriate upgrade on Model Years 2009 thru 2013 STOUGHTON Ag Hopper trailers with aluminum suspension subframes will improve lateral stability and increased durability of the unit.

Models:

Trailers that qualify for this upgrade can be identified by the following:

1. Model: AHV
2. Model Years: 2009 thru 2013
 - a. VIN Model Year Date Codes of 9, A, B, C and D
3. Date of Manufacture: December 2007 thru December 2012.
4. Built with an aluminum subframe.

Code	Year	Code	Year
Y =	2000	A =	2010
1 =	2001	B =	2011
2 =	2002	C =	2012
3 =	2003	D =	2013
4 =	2004	E =	2014
5 =	2005	F =	2015
6 =	2006	G =	2016
7 =	2007	H =	2017
8 =	2008	J =	2018
9 =	2009	K =	2019

Figure 1: Model Year Date Code

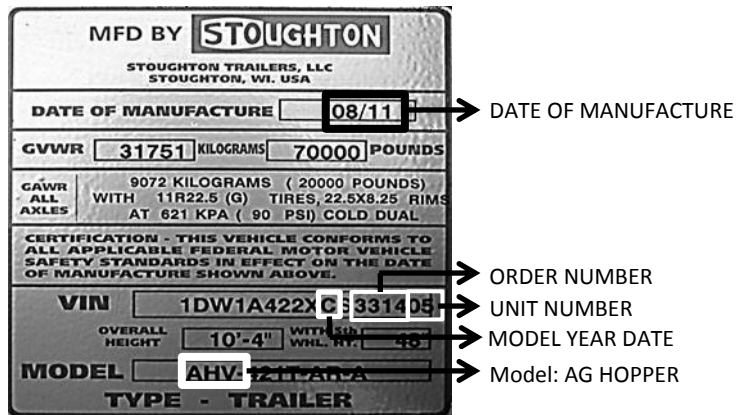


Figure 2: Stoughton Trailers

Issue:

This repair/upgrade address the lateral stability of the aluminum subframe aft of the suspension hangers. Lateral movement in this area allows the subframe channel to flex side to side between the hanger and the suspension air bag. Excessive flexing can cause fatigue cracks in the aluminum channel.

Remedy:

The hanger gusset assemblies located inside the suspension subframe aluminum channels must be replaced with newer versions that are longer. There are two hanger gusset assemblies per axle, one each side. Therefore for a typical tandem axle subframe four hanger gusset assemblies must be replaced.

The repairs and upgrades must be performed by a Stoughton Trailer Ag Hopper dealer or an authorized repair shop.

Warning:

During all steps of the repair and upgrade procedures one must use appropriate safety precautions.

- Use personal safety equipment when working on any trailer (i.e. safety glasses, hearing protection, safety shoes, etc.).
- Trailer must be supported at all times to prevent movement throughout the upgrade process.
 - Check to insure landing gear is in proper working order and providing proper support prior to upgrade.
- The trailer must be empty before any repairs or upgrades are made.

Inspection:

Fatigue in the bottom flange of the subframe channel can result in cracking in the flange at/or near the hanger shock mount (Figure 1). If a crack is found and it is 1" long or less from the edge of the flange it must be stop drilled. To stop drill use a 1/8" drill bit and drill vertically through the aluminum flange 1/16" past the end of the crack. If the crack is longer than 1" consult Stoughton customer service for instructions.



Figure 1

UPGRADE PROCEDURE:

Work to be Performed:

1. The aluminum subframe main longitudinal channels, which the hangers are mounted to, are to be reinforced on the inside with longer hanger gusset assemblies .
2. The new longer hanger gusset assemblies will replace that existing shorter assemblies. They will be bolted in place with 5/8" bolts.

Parts Required:

<u>Part Number</u>	<u>Description</u>	<u>Quantity</u>
14-04822-100-00	Suspension Channel, Left Rear	1
14-04822-100-01	Suspension Channel, Left Front	1
14-04822-200-00	Suspension Channel, Right Rear	1
14-04822-200-01	Suspension Channel, Right Front	1
04-95506	Locknut, 5/8-11	40
04-96013	Washer, 5/8 SAE	40
04-95005-175	Bolt, 5/8-11 X 1 3/4 Grade 5	40
04-85011-011	Tape, Barrier	16ft

Tools

- Welding Equipment
- Drill
- Torch
- Grinder
- Lift or Jack
- Rivet Gun, with Chisel Head

Procedure

1. Remove the hanger gusset assemblies bolted at the suspension hanger to the aluminum channel, two each side. (Figure 2)
2. Apply barrier tape to the inside of the aluminum subframe channel where the new hanger gusset assembly will come in contact.

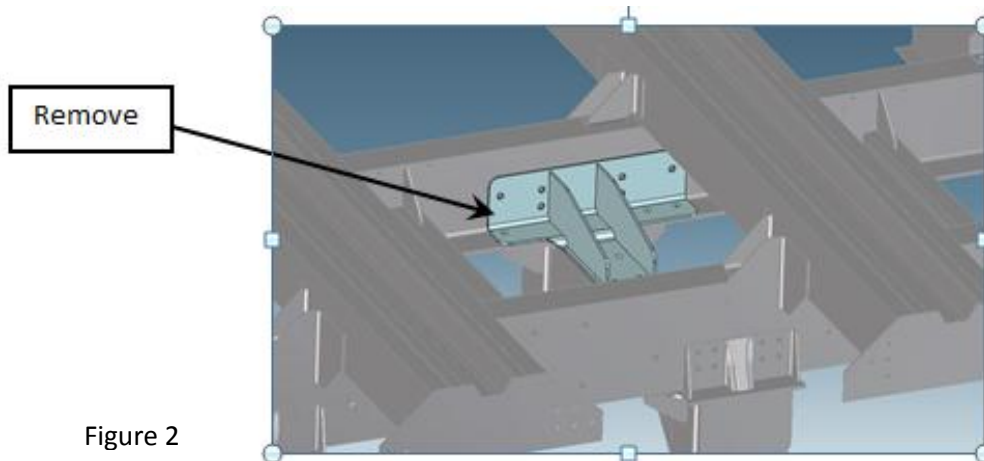


Figure 2

3. Position assembly, 14-04822, at hanger with the long leg extending to the rear. There are front and rear assemblies and left and right assemblies. The front assemblies are shorter in length, 37.38", than the rear assemblies, 40.88". The difference in length is due to the front assemblies not extending to the front as far.
4. Bolt into place with the existing 5/8 diameter bolts. Transfer drill remaining holes into aluminum rail and install 5/8 diameter bolts in those locations. Torque bolts to 150 ft-lbs. (Figure 3).



Figure 3



GRAIN HAULER UPDATE CODES
 Revised rev: 03-11-13

RECALL CODED RED

Code	Repair	Description	Photo's Required	Max Hrs allotted
7000		Misc	YES	APPROVED Get Estimate
7002	RD-0018	Top shelf Repair	YES	6 hrs
7010		Top shelf post only	NO	1.5 hrs
7011	SK-07095	Replace trap frames	YES	6 hrs per trap
7015	SK-07124	Cracked z-post	YES	1 ½ hrs 2 sides
7016	SK-07770	Cracked sidewall z-post	YES	1 hr per crack
7017		Add fasteners	YES	Quantity
7018	SK-07148	Cracking in diagonal Side rail	YES	1 hr per side
7019	SK-0000	Sub frame x-member To bottom rail reinforcement	YES	½ hr per brkt
7021		Electrical	PARTS	APPROVED
7022		CRACKS AT RAIL – CONTACT Stoughton Trailers, LLC.		
7024	SK-07270	Subframe repair	YES	4 hrs
7028	01 26765	Suspension rear frame brkts	YES	1 ½ Both
7029		Suspension rail replacement	YES	40 hrs.

7030	RD-00031	Front x-member replacement	YES	16 hrs
7032	RD-00037	Front x-member upgrade With doubler plates	YES	8 hrs
7033	RD-00032	Bolt on suspension	NO	1 hrs
7034	RD-00033	Top Rail rivet upgrade	NO	2 hrs
7035	RD-00035	Bulkhead Upgrade	NO	2 hrs.
7036		Slope hopper sheet replacement	YES	4 hrs
7037		Rear Hopper x-member	YES	32 hrs
7038		Gate Frame Reinforcement	YES	1hr each
7040	RD 00040	4 TH Susp frt x-member brkt	YES	3.5 hrs.
7041	RD 00041	Aluminum Sub frame Upgrade	NO	6 hrs

PARTS LIST FOR HOPPER RECALL AND CAMPAIGN

RED RD 00031
 BLUE ON ALL UNITS
 GREEN RD 00037
 PURPLE MISC
 BLACK PARTS AS NEEDED.

Kit Number PARTS

SK 07728 KIT FRT X-MEMBER REPLACEMENT

SK 07728 000 00	CROSSMEMBER ASSY,AHV	1 PC
01 26766 001 00	BAR 1/4x4 00-09211x18	2 PC
01 26780 000 00	CHANNEL 7.44x14	2 PC
04 60023 000 00	CLIP,TUBE 5/8 OD COATED STEEL	10 PC
04 60102 000 00	TUBE CLIP 3/8"OD COATED STEEL	10 PC
04 85039 000 00	NYLON CABLE TIE,BLACK	10 PC
04 86825 000 12	LOOM,CONVOLUTED 3/4"ID (10')	10 FT
04 95005 150 00	CSCR,HH 5/8-11x1-1/2	2 PC
04 95033 125 00	SCR BTN HD TX GR5	24 PC
04 95119 125 00	CSCR,HH 1/2-13x1-1/4 GR8/ZP	8 PC
04 95120 125 00	MSCR,TRUSS HD,CR 5/16-18x1-1/4	50 PC
04 95502 000 00	LOCKNUT HEX GR B 5/16-18 ZN	50 PC
04 95506 000 00	LOCKNUT HEX GR B 5/8-11 ZN	2 PC
04 95535 000 00	LKNUT,HEX 3/8-24 NE-NYLON INS	10 PC
04 95579 000 00	LKNUT,HEX 1/2-13 TOPLCK,GR8/ZP	8 PC
04 96002 000 00	SS WASHER, FLAT 3/8	10 PC
04 96013 000 00	WASHER 5/8	2 PC
04 98056 000 00	RIVET PULL 3/16x.251-.375 GP	20 PC
SK 07775 000 00	FILLER PLATE,AHV	2 PC
01 26951 100 00	DOUPLER PLATE	1 PC
01 26951 200 00	DOUPLER PLATE	1 PC
04 95033 150 00	SCREW, BTN HD TX GR5	94 PC
04 95504 000 00	LOCKNUT HEX GR B ZN 1800/CTN	108 PC
04 26885 000 00	diamond ply cover	1 PC
04 97078 000 00	RVT,M-BOLT,3/16D	14 PC

SK 07770 KIT CHANNEL KIT

SK 07770 000 00	CHANNEL REINFORCEMENT PLATE	1 PC
04 95120 125 00	MSCR,TRUSS HD,CR 5/16-18x1-1/4	4 PC
04 95502 000 00	LOCKNUT HEX GR B 5/16-18 ZN	4 PC
04 97072 000 00	RVT M-BOLT 1/4X.080-.375GP	12 PC

SK 07124 KIT	CLIPS FOR HOPPER ZPOSTS		
	SK 07124 000 00	CLIP	2 PC
	04 95501 000 00	LOCKNUT HEX GR B 1/4-20 ZP	10 PC
	04 95001 100 00	CAP SCREW,CSCR,HH 1/4-20x1	10 PC

SK 07148 KIT	PLATES FOR CRACKS IN SIDERAIL		
	SK 07148 000 00	PLATE,HOPPER	2 PC
	04 97110 000 00	HUCK PIN 1/4"D 750-.875GP,SS	2 PC
	04 97065 000 00	COLLAR,HUCKBOLT 1/4"DIA. STEEL	2 PC
	04 97072 000 00	RVT M-BOLT 1/4X.080-.375GP	4 PC

SK 00040 KIT	SUSP SUBFRAME FRONT ATTACHMENT UPGRADE		
	01 27008 000 00	REINFORCEMENT ANGLE	
	01 27009 000 00	SHEAR PLATE	
	04 95033 125 00	CSR BH, TX 3/8-24 X 1 1/4 GRADE 5	
	04 955004 000 00	LKNUT, HEX 3/8-24 NE NYLON INSERT	
	04 85011 001 00	BARRIER TAPE 2 Wide 7.5 mil thick	
	17 05096 000 00	BRACKET ASSY	

SK 00041 KIT	ALUMINUM SUBFRAME STRUCTURE		
	14 04822 100 00	SUSPENSION CHANNEL LEFT REAR	1 PC
	14 04822 100 01	SUSPENSION CHANNEL LEFT FRONT	1 PC
	14 04822 200 00	SUSPENSION CHANNEL RIGHT REAR	1 PC
	14 04822 200 01	SUSPENSION CHANNEL RIGHT FRONT	1 PC
	04 95506 000 00	LOCKNUT , 5/8-11	40 PC
	04 96013 000 00	WASHER, 5/8 SAE	40 PC
	04 95005 175 00	BOLT, 5/8-11 X 1 3/4 GRADE 5	40 PC
	04 85011 000 00	TAPE, BARRIER 4 IN	16 FT

SK 7032 KIT	FRT X-MEMBER REINFORCMENT		
	01 26766 001 00	BAR 1/4x4 00-09211x18	2 PC
	01 26767 001 00	REINF PLATE,CROSSMEMBER	1 PC
	04 95119 125 00	CSCR,HH 1/2-13x1-1/4 GR8/ZP	16 PC
	04 95120 125 00	MSCR,TRUSS HD,CR 5/16-18x1-1/4	50 PC
	04 95502 000 00	LOCKNUT HEX GR B 5/16-18 ZN	50 PC
	04 95579 000 00	LKNUT,HEX 1/2-13 TOPLCK,GR8/ZP	16 PC
	04 26885 000 00	diamond ply cover	1 PC
	04 97078 000 00	RVT,M-BOLT,3/16D	14 PC

SK 07095 000 00	GATE INSTALL KIT		
	04 86876 000 12	RUBBER REINF,EPDM FABRIC	15 FT
	04 97107 000 00	HUCKBOLT PIN 1/4D.375-.500GP	72 PC
	04 97065 000 00	COLLAR,HUCKBOLT 1/4"DIA. STEEL	72 PC
	SK 07096 000 00	GATE FRAME KIT,AHV	1 PC

SK 07270 000 00	SUBFRAME REPAIR KIT		
	04 95005 200 00	CAPSCREW HH GR5/ZP 5/8-11X2	17 PC
	04 95506 000 00	LOCKNUT HEX GR B 5/8-11 ZN	17 PC
	04 96009 000 00	WASHER,FLAT 5/8 SAE	34 PC
	14 04775 100 00	GUSSET ASSY,AHV	1 PC
	14 04775 200 00	GUSSET ASSY,AHV	1 PC

SK 7019 KIT	ANGLE REINF KIT		
	01 24323 000 00	ANGLE,REINF 00-17160x3.12x5	8 PC
	04 95003 125 00	BOLT,CSCR,HH 3/8-16x1.25	48 PC
	04 95503 000 00	LOCKNUT HEX GR B ZN 3/8-16	48 PC
	04 96006 000 00	WASHER FLT 3/8 STD ZINC	48 PC

SK 7028 KIT	SUSPENSION TO REAR FRAME KIT		
	01 26765 100 00	GUSSET,GALV 00-02224x6.25x7.25	1 PC
	01 26765 200 00	GUSSET,GALV 00-02224x6.25x7.25	1 PC
	04 97121 000 00	PIN,HUCKBOLT 3/8D .375-.625GP	6 PC
	04 97036 000 00	COLLAR,HUCKBOLT,HOPPER	6 PC
	04 96052 000 00	WASHER,HUCK,FLAT,HOPPER	6 PC

17 04978 KIT	REAR DOOR FRAME KIT 2010 gates		
	17 04978 000 00	REAR DOOR FRAME ASSY,AHV	1 PC
	04 86876 000 12	RUBBER REINF,EPDM FABRIC	15 FT
	04 97107 000 00	HUCKBOLT PIN 1/4D.375-.500GP	72 PC
	04 97065 000 00	COLLAR,HUCKBOLT 1/4"DIA. STEEL	72 PC

PARTS NOT KITS.

7002	01 24256 000 00	SHELF FOR 66" SIDEWALL	1 PC
	01 24266 000 00	ANGLE FOR 66" SIDEWALL	2 PC
	01 24489 000 00	REINFORCEMENT POST	1 PC
	04 97072 000 00	FASTENERS	200 PC

7002	01 24615 000 00	SHELF FOR 72" SIDEWALL	1 PC
	01 24616 000 00	ANGLE FOR 72" SIDEWALL	2 PC

01 24489 000 00	REINFORCEMENT POST	1 PC
04 97072 000 00	FASTENERS	200 PC

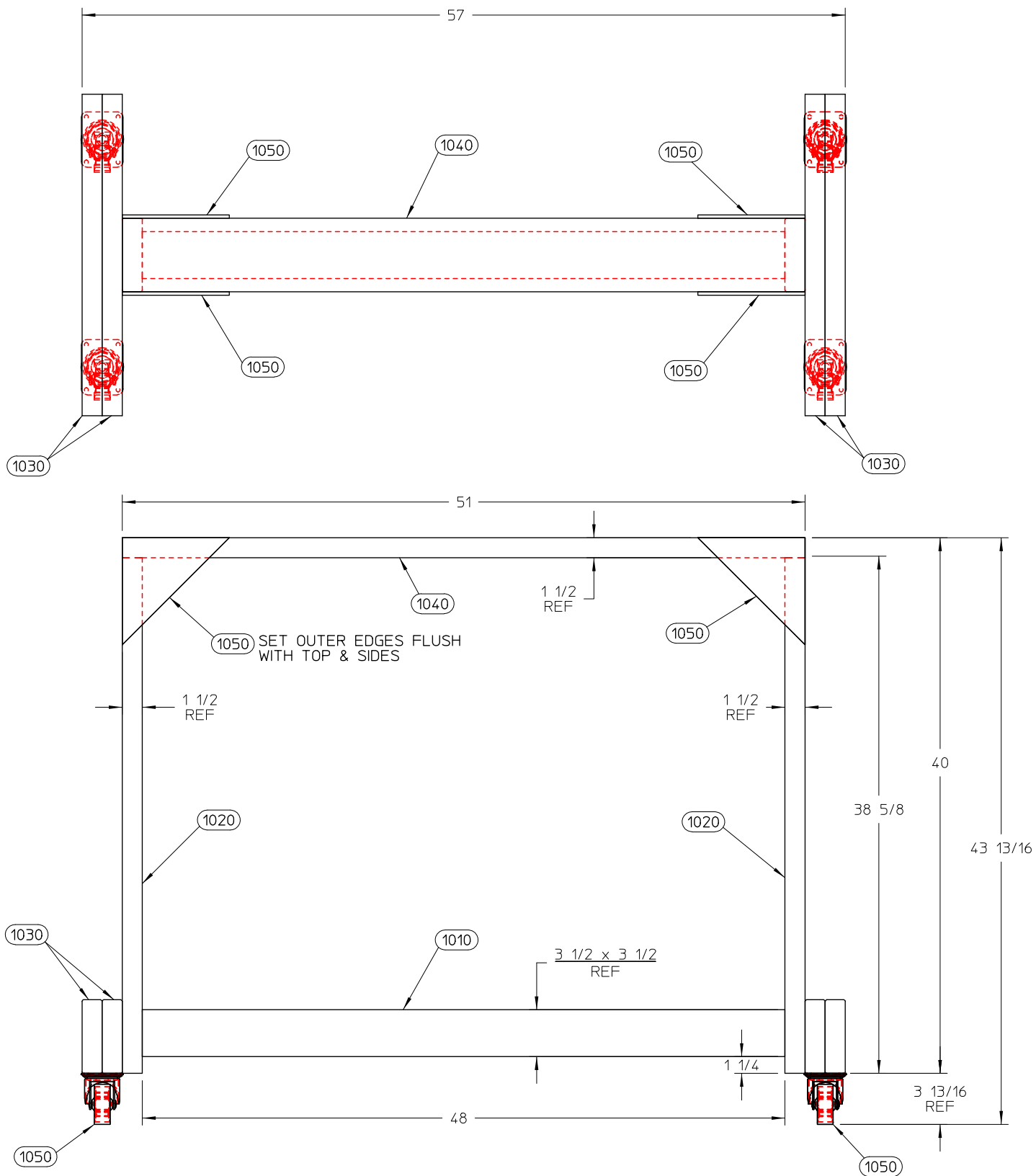
MISC

04 86879 000 11	FRONT TARP CAP	1 PC
04 86879 000 12	REAR TARP CAP	1 PC
01 24905 000 00	BULK HEAD TOP	1 PC
04 98003 750 00	RVTS FOR SLOPE SHEET	?
04 86879 000 19	TARP BOWS	4 EACH

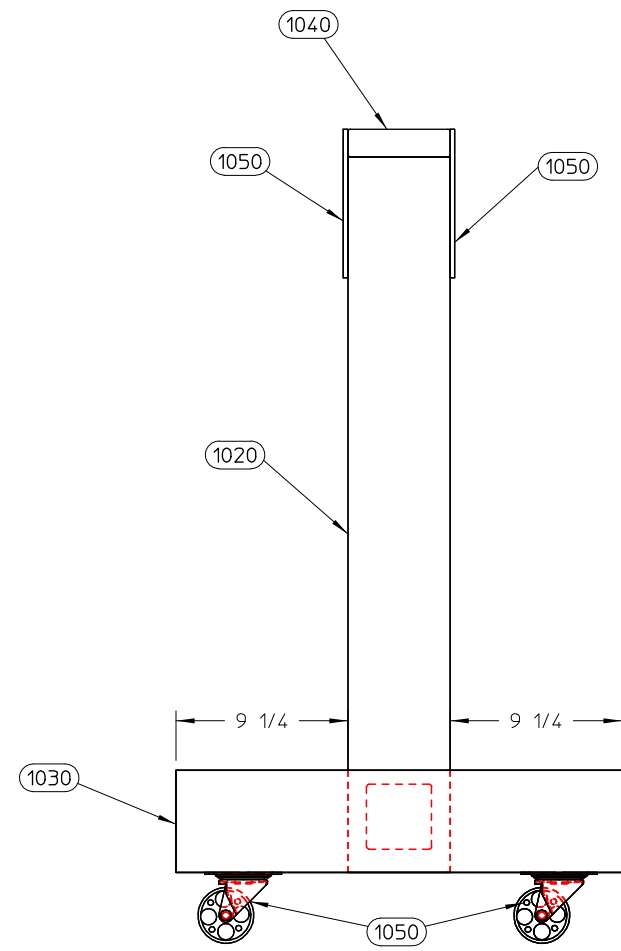
SHORT DOUPLER PLATES

01 26791 100 00	DOUPLER PLATE	1 PC
01 26791 200 00	DOUPLER PLATE	1 PC
04 95033 150 00	SCREW, BTN HD TX GR5	70 PC
04 95504 000 00	LOCKNUT HEX GR B ZN 1800/CTN	84 PC

PARTS LIST		
ITEM/SEQ NUMBER	QUANTITY	DESCRIPTION
1010	1	CROSS BEAM 4 x 4 x 48
1020	2	UPRIGHT, 2 x 6 x 38 1/2
1030	4	FOOT, 2 x 6 x 24
1040	1	TOP, 2 x 6 x 51
1050	1	CROSS BRACE, 1/4 x 8 x 8
1060	4	2 1/2" CASTER



NOTES:
 1. USE APPROPRIATE SIZE, LENGTH & QUANTITY OF FASTENERS.
 2. DRILL AN APPROPRIATE HOLE 1/2" DEEP, CENTERED IN THE BOTTOM OF THE MAIN BEAM TO SEAT A FLOOR JACK.



PART # DESIGNATION
 SK - 07774 - 000 - 00
 DRAWING #

NOTICE: STI HOLDINGS, INC. CLAIMS PROPRIETARY RIGHTS TO THE MATERIAL DISCLOSED ON THIS DRAWING. IT IS ISSUED IN CONFIDENCE FOR ENGINEERING INFORMATION ONLY AND SHALL NOT BE REPRODUCED, COPIED OR DISCLOSED IN WHOLE OR IN PART, OR USED FOR ANY OTHER PURPOSE WITHOUT WRITTEN PERMISSION FROM STI HOLDINGS, INC.

UNLESS OTHERWISE SPECIFIED ALL DIMENSIONS ARE IN INCHES TOLERANCES ARE: FRAC + 1/16 DEC + .005 ANGLES + 1/2°



DRAWN BY: KR
 CHECKED BY: JW/L
 APPROVED BY: JW/L
 SCALE: INCHES
 DATE: 9-5-12
 WEIGHT: NA

4 x 4 MAIN CROSSBEAM
 2 x 6 LEGS & TOP
 1/4" PLYWOOD CORNER BRACES

TITLE: CART, COUPLER REPAIR

DRAWING NUMBER: SK-07774
 REVISION

LTR	REVISION DESCRIPTION	DATE	BY	CKD	APPD