

Interchange of VD Recall Parts From Seat Cushion to Lower Seat Assembly

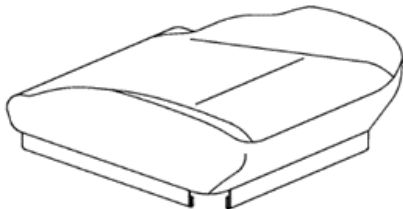
Affected Models: SX4, Grand Vitara

Affected Departments: Management, Service, & Parts

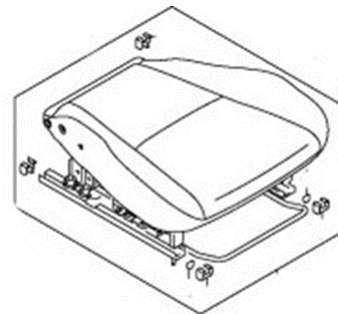
The VD recall for the Occupant Classification System (OCS) in the 2007-2011 Suzuki SX4 and 2006-2011 Suzuki Grand Vitara was announced because a fault may develop within the front passenger sensor mat that is built into the front passenger seat cushion.

The recall part with an updated sensor mat has been available since 2014 when the recall was first announced. Unfortunately, two of the Recall Seat Cushions (listed below) are no longer available. To resolve this issue, Suzuki is stocking the Lower Seat Assembly that includes the recall updated cushion and the adjuster mechanism as a replacement recall part.

Recall Seat Cushion



Replacement Seat Assembly



VD Recall Parts Interchanges:

- **85107-80J10-JUA** SX4 Recall Cushion > Interchanges to > **85101-80JG4-JUA** SX4 Lower Seat Assembly
- **85107-80J10-CHN** SX4 Recall Cushion > Interchanges to > **85101-80JG6-CHN** SX4 Lower Seat Assembly

The Lower Seat Assembly part is more complete and easier to install as compared to the Recall Seat Cushion.

When you file the recall claim after installing the seat assembly as a replacement part, the only difference when inputting claim information is to list the Lower Seat Assembly part number as the **Replacement Part Number**. Then the claim will be processed normally and you will receive credit for using the assembly part.

If you encounter any problems ordering the VD recall parts, please contact Suzuki Parts Coordination at 714-854-2165 or email them at parts.smo@suz.com.