



Safety Recall: Brake Booster Loses Vacuum (Supersedes 13-025, dated June 15, 2013; see REVISION SUMMARY)

REVISION SUMMARY

Under TOOL INFORMATION and REPAIR PROCEDURE, the pushrod adjustment gauge was deleted because adjusting the pushrod is not required.

BACKGROUND

During manufacturing, the brake booster may not have been assembled properly, which may allow the brake booster to leak. A leaking brake booster may cause reduced vacuum assist, resulting in a hard brake pedal that requires more pedal force to stop the vehicle.

CLIENT NOTIFICATION

Owners of affected vehicles will receive a notification of this campaign.

Do an **iN VIN status inquiry** to make sure the vehicle is shown as eligible.

Some vehicles affected by this campaign may be in your used vehicle inventory. These vehicles **must** be repaired before they are sold.

Should your dealership sell an unrepaired vehicle that subsequently causes injury or damage because of the recalled item, the dealership will be solely responsible to the damaged party, and will be required to defend and indemnify American Honda for any resulting claims. To see if a vehicle in inventory is affected by this recall, do a VIN status inquiry before selling it.

CORRECTIVE ACTION

Inspect the brake booster and, if necessary, replace it.

PARTS INFORMATION

NOTE:

- The replacement rate for brake boosters is very low; order a replacement brake booster kit only after confirming that a replacement part is needed.
- To help clarify where new parts are used in the REPAIR PROCEDURE, the new part is listed in the applicable step with a ">" symbol.

Brake Booster Kit:

P/N 01469-S6M-A40 (RSX)

P/N 01469-S6M-A80 (RSX Type-S)

Includes: Brake Booster
Gasket
Rod Seal
Grease Packet

REQUIRED MATERIALS

Acura Genuine DOT 3 Brake Fluid: P/N 08798-9008A
(Each repair requires 1 bottle.)

TOOL INFORMATION

Ball Joint/Disc Brake Dial Test Indicator Set
(or equivalent): T/N GA3634

WARRANTY CLAIM INFORMATION

OP#	Description	FRT
4135A4	Inspect the brake booster.	0.3
A	Replace the brake booster.	1.1

Failed Part: P/N 01469-S6M-A30

Defect Code: 5MK00

Symptom Code: JA500

Skill Level: Repair Technician



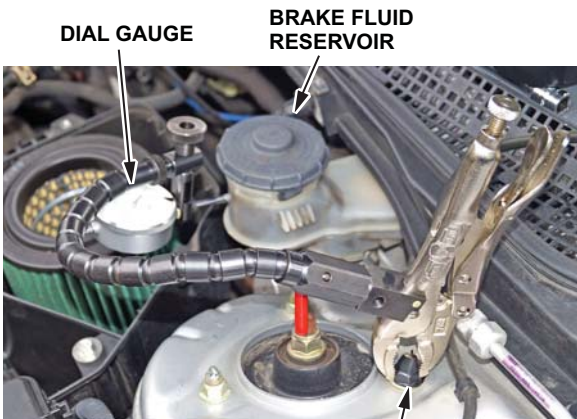
DIAGNOSIS

1. Start the engine, and let it reach operating temperature (the cooling fans cycle twice), then turn it off.
2. Press the brake pedal about 10 times so that there is no vacuum left in the brake booster and the brake pedal is hard to push.
3. Remove the air cleaner housing cover.

Remove the air cleaner housing cover.



4. Attach the dial gauge indicator to the strut tower mount as shown.

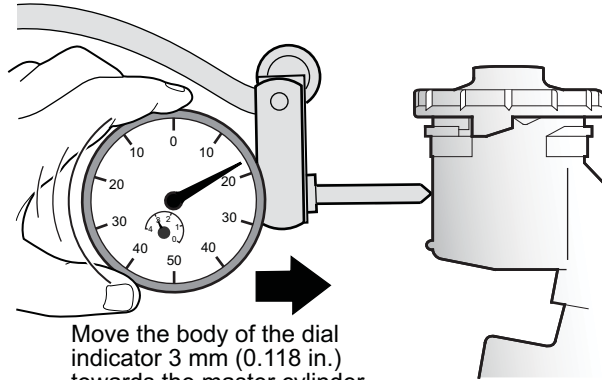


Clamp portion of tool attaches to damper mounting nut.

5. Set up the dial indicator so the tip touches the master cylinder as shown. Push in the body of the dial indicator 3 mm (0.118 in.). Once the indicator is set, zero the gauge.

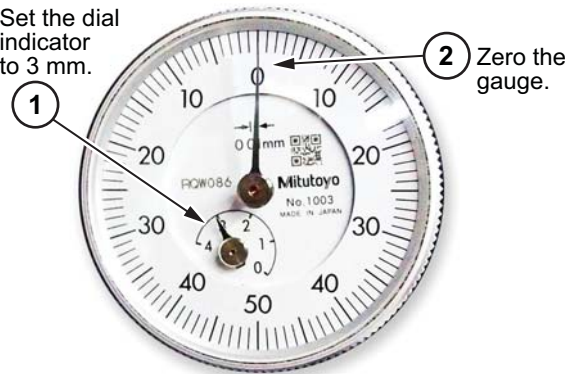
NOTE:

- Make sure the dial indicator is pushed in 3 mm (0.118 in.). If you only zero the gauge, you will not get a proper reading when the master cylinder moves toward the passenger compartment.
- It is imperative that you measure and calculate the movement accurately, and not simply rely on the gauge display.



Move the body of the dial indicator 3 mm (0.118 in.) towards the master cylinder.

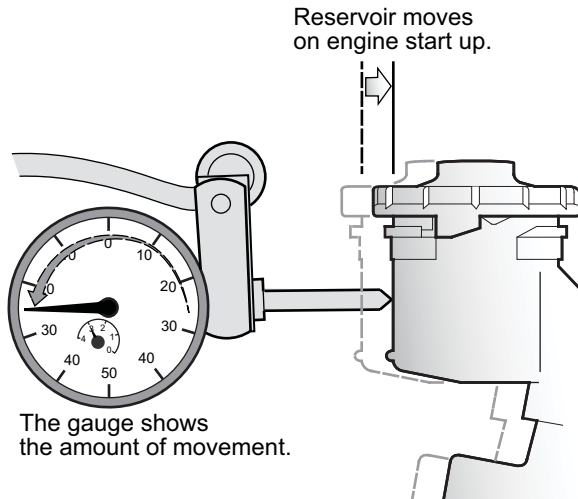
Set the dial indicator to 3 mm.



Set the dial indicator to 0.118 in.



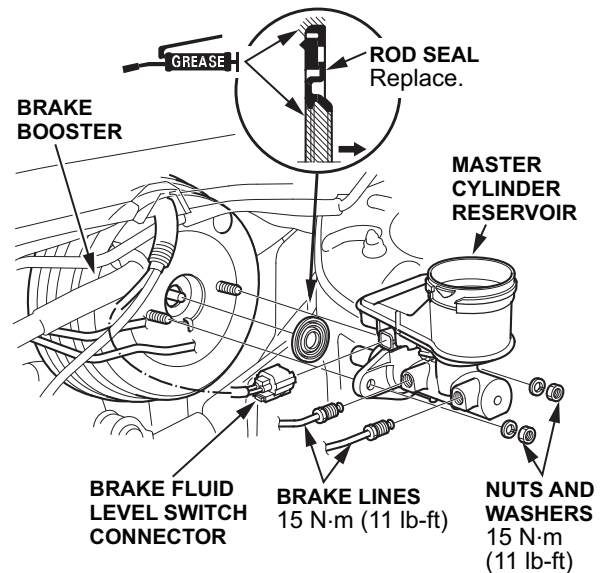
6. Start the engine.
7. Measure the distance the master cylinder reservoir moved toward the passenger compartment.
 - If the master cylinder reservoir moved 0.75 mm (0.030 in.) or less, the vehicle is OK.
 - If the master cylinder reservoir moved more than 0.75 mm (0.030 in.), go to REPAIR PROCEDURE.



REPAIR PROCEDURE

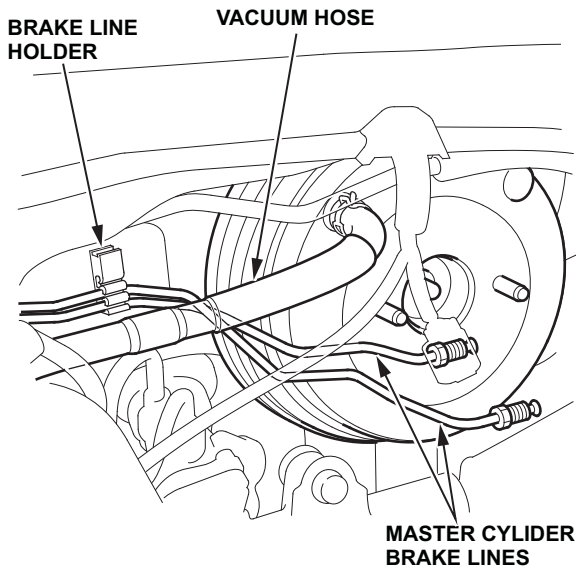
NOTE: Do not spill brake fluid on the vehicle; it may damage the paint. If brake fluid does contact the paint, wash it off immediately with water.

1. Remove the air cleaner.
2. Remove the brake fluid from the master cylinder reservoir with a syringe.
3. Disconnect the brake fluid level switch connector.

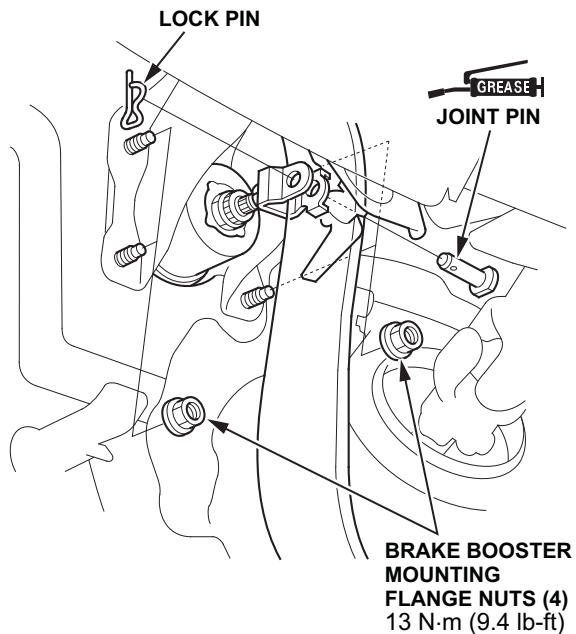


4. Disconnect the brake lines from the master cylinder with a flare nut wrench. To prevent spills, cover the line joints with clean rags or shop towels.
5. Remove the master cylinder mounting nuts and the washers.
6. Remove the master cylinder from the brake booster. Be careful not to bend or damage the brake lines when removing the master cylinder.

7. Disconnect the brake booster vacuum hose from the brake booster.

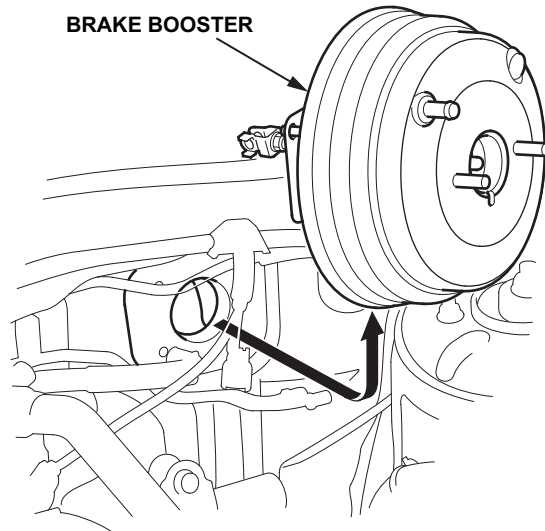


8. Remove the master cylinder brake lines from the brake line holder.
9. Remove the lock pin and the joint pin, then disconnect the yoke from the brake pedal.



10. Remove the four brake booster mounting flange nuts.

11. Pull the brake booster forward, and remove the brake booster from the engine compartment. Be careful not to bend or damage the brake lines when removing it.



12. Install the new brake booster and the original master cylinder in the reverse order of removal, and note these items:

- Install the new rod seal onto the brake booster with its grooved side toward the master cylinder.
 - > Brake booster
 - > Rod seal
 - > Gasket
- Coat the inner bore lip and outer circumference of the new rod seal with the grease included in the kit.
 - > Grease packet
- Make sure not to get any silicone grease on the terminal part of the connectors and switches, especially if you have silicone grease on your hands or gloves.
- Check the brake pedal height and free play after installing the master cylinder, and adjust it if necessary. Refer to the online service manual, enter keywords **BRAKE ADJUST** and select **Brake Pedal and Brake Pedal Position Switch Adjustment**.
- Bleed the brake system.
- Raise the vehicle on a lift, then spin the wheels and make sure there is no brake drag.