



Recall Bulletin



PRODUCT SAFETY RECALL

SUBJECT: Supplemental Restraint System (SRS) Electronic Control Module (ECM)

MODELS: 2003-2004 Pontiac Vibe

The Part Information section in this bulletin has been revised. Part numbers 19205561 and 19205562 are now on a PQC part restriction rather than a TAC part restriction. Please discard all copies of bulletin 13030.

CONDITION

Toyota has decided that a defect, which relates to motor vehicle safety, exists in **certain** 2003 and 2004 model year Pontiac Vibe vehicles. Pontiac Vibe was manufactured by New United Motor Manufacturing (NUMMI), a joint venture between Toyota and GM.

The Electronic Control Module (ECM) for the Supplemental Restraint System (SRS) in these vehicles could have been manufactured with integrated circuits (ICs) that are susceptible to short circuiting when exposed to certain electrical noise from various vehicle electrical components. If internal short circuiting occurs, the front airbag(s) and/or seat belt pretensioners could inadvertently deploy. An airbag that deploys inadvertently can, under some circumstances, increase the risk of injury and the possibility of a crash.

CORRECTION

Dealers are to install a sub-wire harness (filter) to minimize electrical noise from the other vehicle electrical components.

VEHICLES INVOLVED

All involved vehicles are identified by Vehicle Identification Number on the Investigate Vehicle History screen in GM Global Warranty Management system. Dealership service personnel should always check this site to confirm vehicle involvement prior to beginning any required inspections and/or repairs. It is important to routinely use this tool to verify eligibility because not all similar vehicles may be involved regardless of description or option content.

For dealers with involved vehicles, a listing with involved vehicles containing the complete vehicle identification number, customer name, and address information has been prepared

and will be provided to dealers through the GM GlobalConnect Recall Reports. Dealers will not have a report available if they have no involved vehicles currently assigned.

The listing may contain customer names and addresses obtained from Motor Vehicle Registration Records. The use of such motor vehicle registration data for any purpose other than follow-up necessary to complete this recall is a violation of law in several states/provinces/countries. Accordingly, you are urged to limit the use of this report to the follow-up necessary to complete this recall.

PART INFORMATION

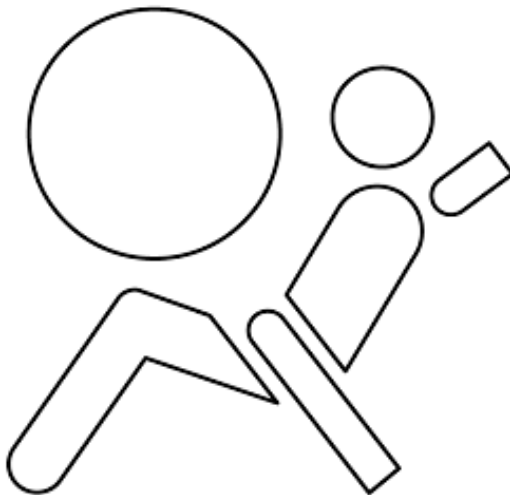
Parts required to complete this recall are to be obtained from General Motors Customer Care and Aftersales (GMCC&A). Please refer to your "involved vehicles listing" before ordering parts. Part Numbers 19205561 & 19205562 are currently on a PQC restriction and will need to be processed through PQC with a PQC case prior to release by calling 866-654-7654. Part Number 19205557 can be obtained through normal orders placed on a DRO = Daily Replenishment Order. In an emergency situation, part should be ordered on a CSO = Customer Special Order.

Part Number	Description	Quantity/Vehicle
19205557	HARNESS KIT, AIRBAG SEN & DIAGN MDL WRG	1
19205561*	MODULE, AIRBAG SEN & DIAGN (without side airbags)	1 (If Req'd)
19205562*	MODULE, AIRBAG SEN & DIAGN (with side airbags)	1 (If Req'd)

* It is estimated that less than 0.5% of the involved population will require replacement of the module.

SERVICE PROCEDURE

1. CHECK THE AIRBAG WARNING INDICATOR



3352671

- a) Verify that the warning indicator comes on when the ignition switch is turned on.

- b) After the ignition has been on for approximately 6 seconds check the behavior of the warning indicator.

Condition #1: Light Remains On, **OR** Light Blinking, **OR** Light Does Not Come On.

Corrective Action: Replace the Sensing and Diagnostic Module (SDM) and install the sub harness. Proceed to **STEP 2. CHECK FOR DTCs**.

Condition #2: Light Goes Off.

Corrective Action: Install the sub harness. Proceed to **STEP 2. CHECK FOR DTCs**

Note: This recall only covers the installation of the sub harness and, if needed, the Sensing and Diagnostic (SDM). No other components in the SRS system are covered by this recall.

2. **CHECK FOR DTC's.** Use the Diagnostic tool to check for DTCs, if DTCs are present save all freeze frame data and repair as necessary.

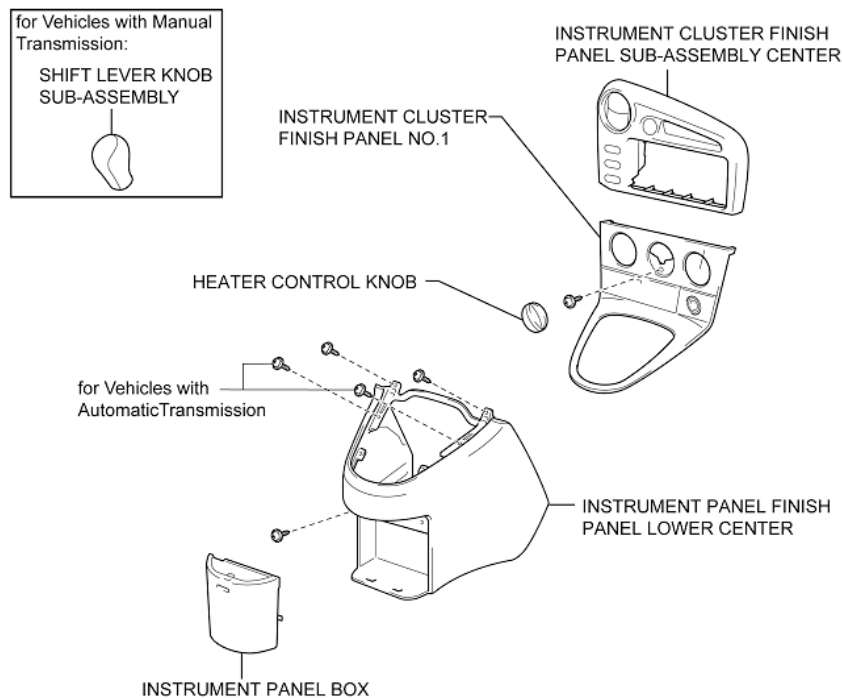
3. **DISCONNECT THE NEGATIVE BATTERY TERMINAL.**

Warning:

- **Wait at least 90 seconds after disconnecting the cable from the negative battery terminal to prevent airbag and seat belt pretensioner deployment.**
- **Follow all precautions as outlined on TIS before servicing the SRS system.**

4. **SET THE PARKING BRAKE**

5. **SLIDE THE DRIVER AND PASSENGER SEAT TO THE REARMOST POSITION**



6. REMOVE THE FOLLOWING

- a) Instrument cluster finish panel sub-assembly center.
- b) Shift lever knob sub-assembly (*manual trans only*).
- c) Heater control knob.
- d) Instrument cluster finish panel No. 1.
- e) Instrument panel box.
- f) Instrument panel finish panel lower center.

7. REMOVE THE FLOOR CARPET LH



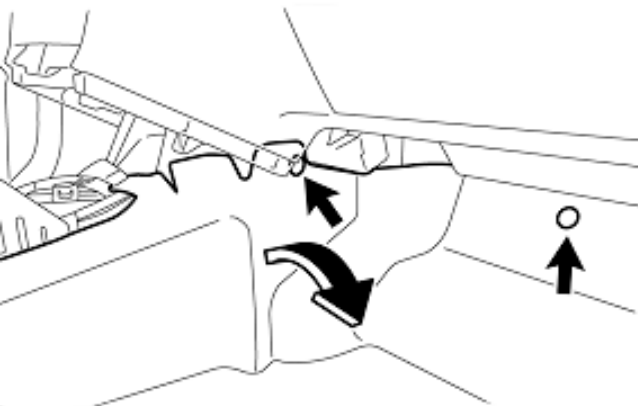
3352674

- a) Remove the clip and pull back the floor carpet.

Note:

- **Wear protective gloves.**
- **Remove the floor carpet enough to gain access to the SDM.**

8. REMOVE THE FLOOR CARPET RH



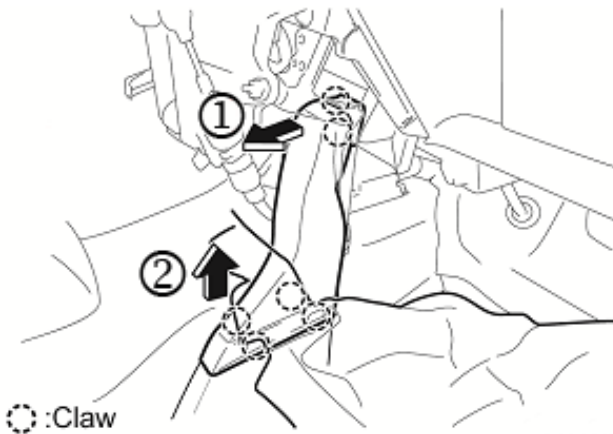
3352677

- a) Remove the 2 clips and pull back the floor carpet.

Note:

- **Wear protective gloves.**
- **Remove the floor carpet enough to gain access to the SDM.**

9. REMOVE AIR DUCT REAR No. 3



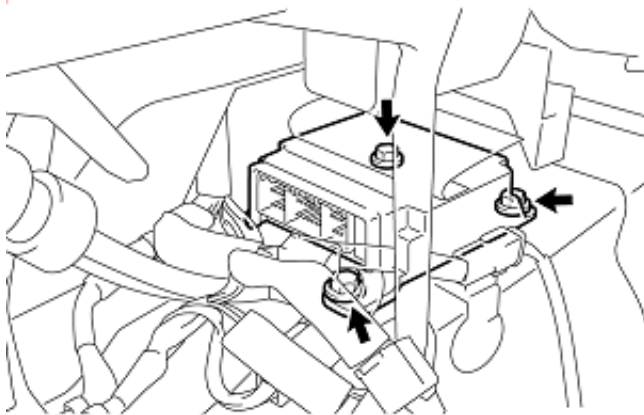
- Pull the upper portion of the duct (1) rearward to disengage the 2 upper claws.
- Pull the bottom portion of the duct (2) upward to disengage the 4 claws and remove the duct.

10. DISCONNECT THE SENSING AND DIAGNOSTIC MODULE (SDM) CONNECTORS

- Disconnect the 3 connectors.

11. REPLACE THE SDM

(Required IF Vehicle Exhibited Condition #1 Above)

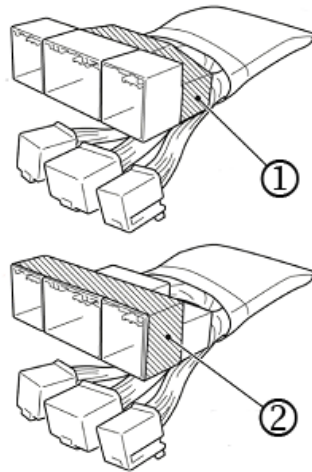


- Remove the 3 bolts and the SDM.
- Install a NEW SDM, then continue to STEP 12.

TIGHTEN to 13ft. lb (17.5 N·m)

Caution: To prevent the tape from interfering with the connectors, *DO NOT* wrap the tape around the front portion (2) of the connectors.

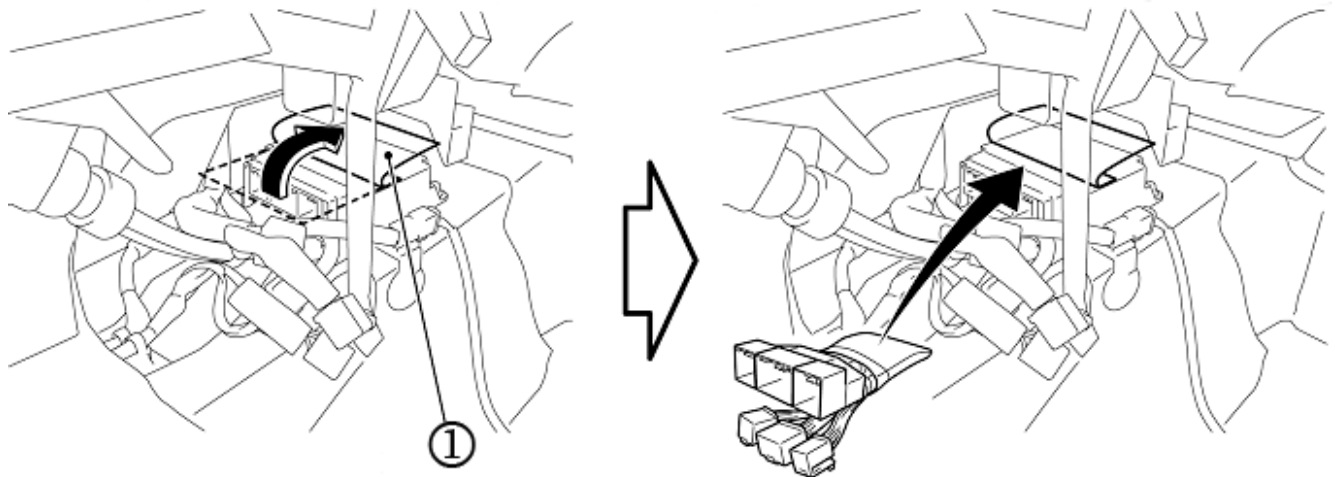
12. PREPARE THE SUB HARNESS



3352687

a) To prevent noise, secure the 3 female connectors together with vinyl tape as shown in location (1). DO NOT WRAP the tape in the shaded area (2).

13. POSITION THE SUB HARNESS

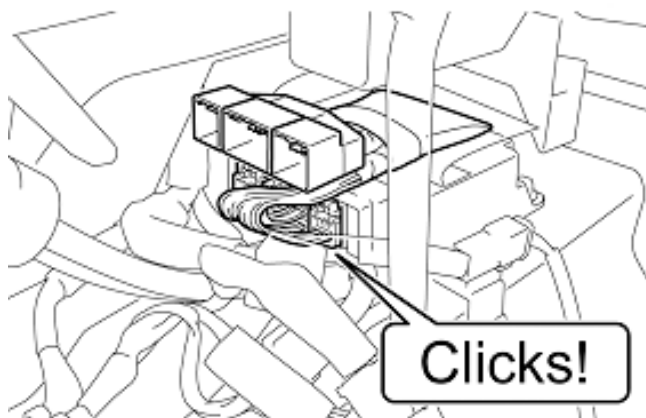


3352690

a) Fold back the plastic sheet (1) on the top of the SDM.

Note: DO NOT remove the plastic sheet as it will cause the sensor label to peel off.

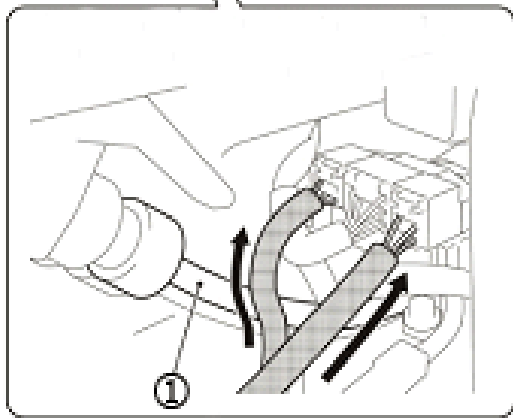
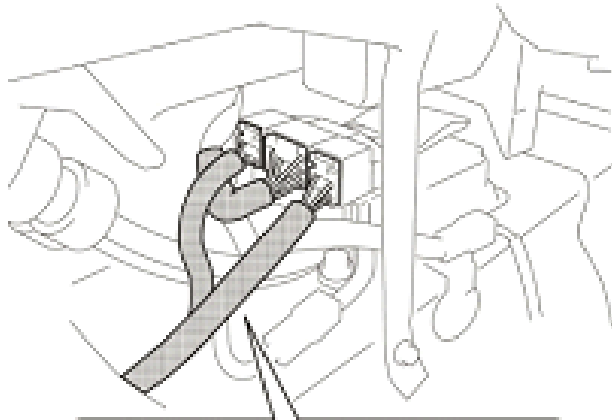
14. CONNECT THE SUB HARNESS



3352691

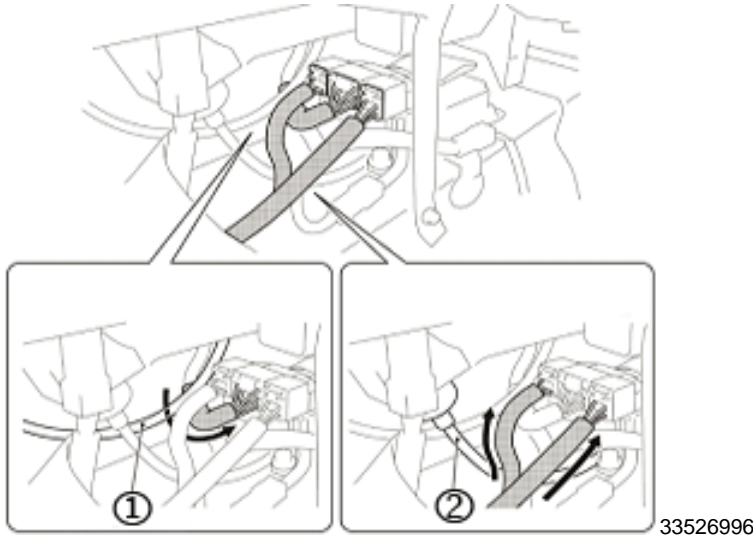
a) Connect the 3 NEW connectors to the SDM.

Manual Transmission



3352692

Automatic Transmission

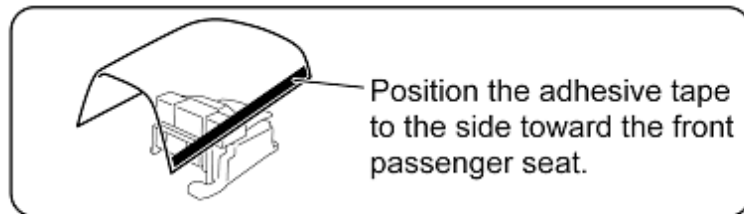


- b) Connect the 3 vehicle-side connectors to the NEW sub harness. Reference the correct illustration based on transmission type for wire routing.
- c) For Manual Transmission vehicles pass the sub wire harness to the right of the shift cable (1).
- d) For Automatic Transmission vehicles pass the sub wire harness under the parking lock cable (1). The sub harness additionally routes to the right of the shift cable (2).

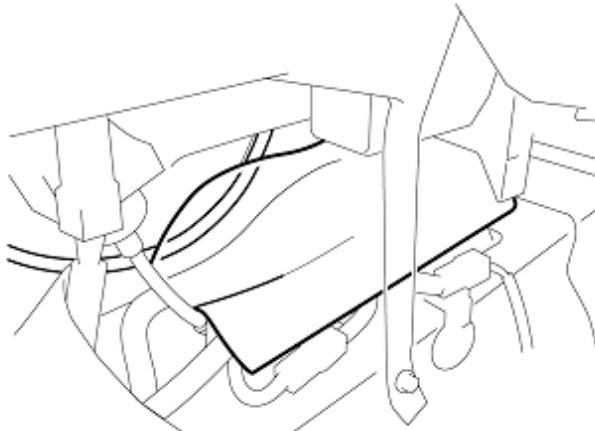
Caution:

- **The water guard sheet is critical to prevent water from the air conditioner from dripping on the SDM, confirm it is positioned and adhered correctly.**

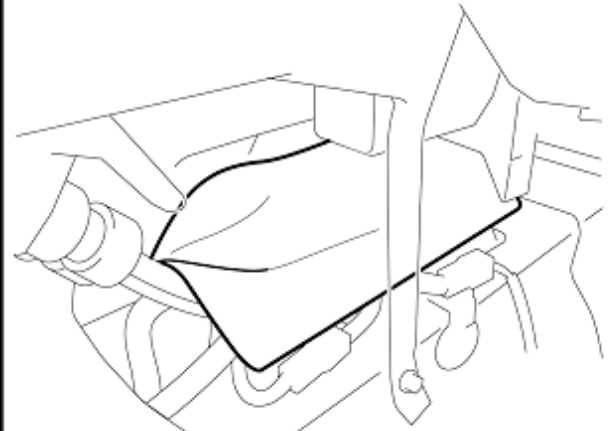
15. INSTALL THE WATER GUARD SHEET



for Vehicles with Automatic Transmission

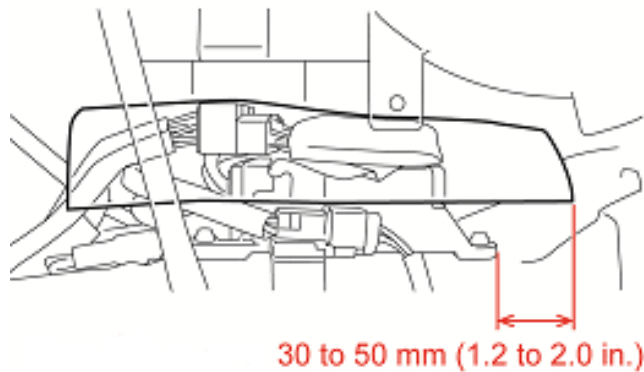


for Vehicles with Manual Transmission



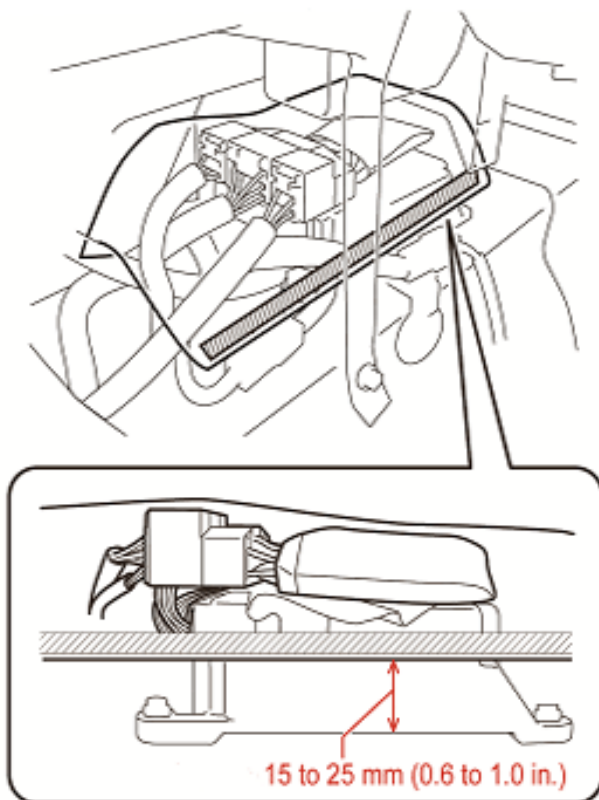
3352700

- a) Position the water guard sheet over the SDM and sub harness.



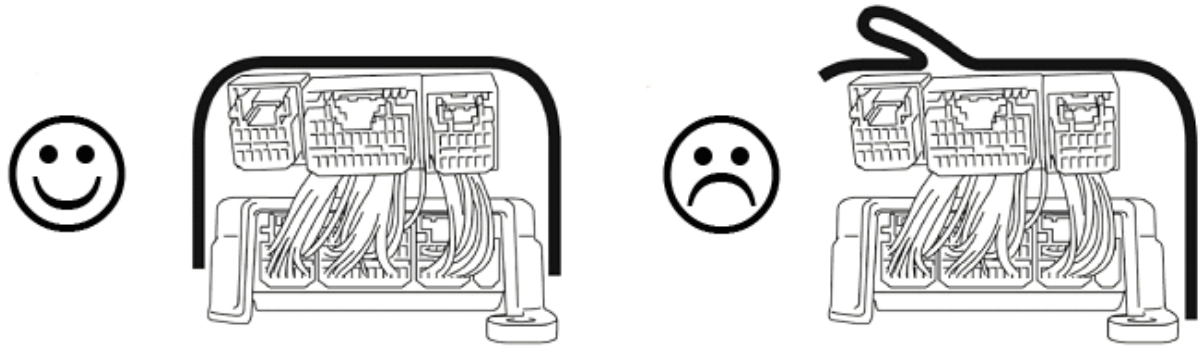
3352706

- b) Position the sheet so that the edge protrudes 1.2 to 2.0 in. (30 to 50 mm) past the back side of the SDM.



3352708

- c) Adhere the tape on the sheet to the right side of the SDM approximately 0.6 to 1.0 in. (15 to 25 mm) above the bottom end of the SDM.



3352712

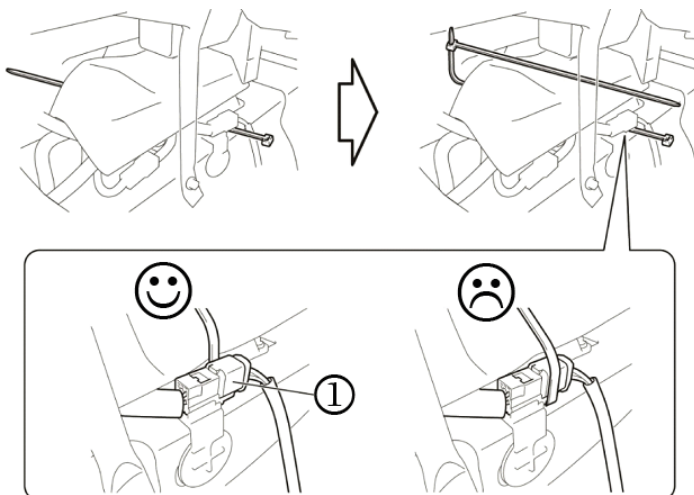
d) Confirm the sheet has been positioned correctly.

Caution:

- **DO NOT bind the SDM harness/connector with the cable ties.**
- **If the cable tie or sheet is affixed incorrectly, the sub harness may not be fixed properly.**

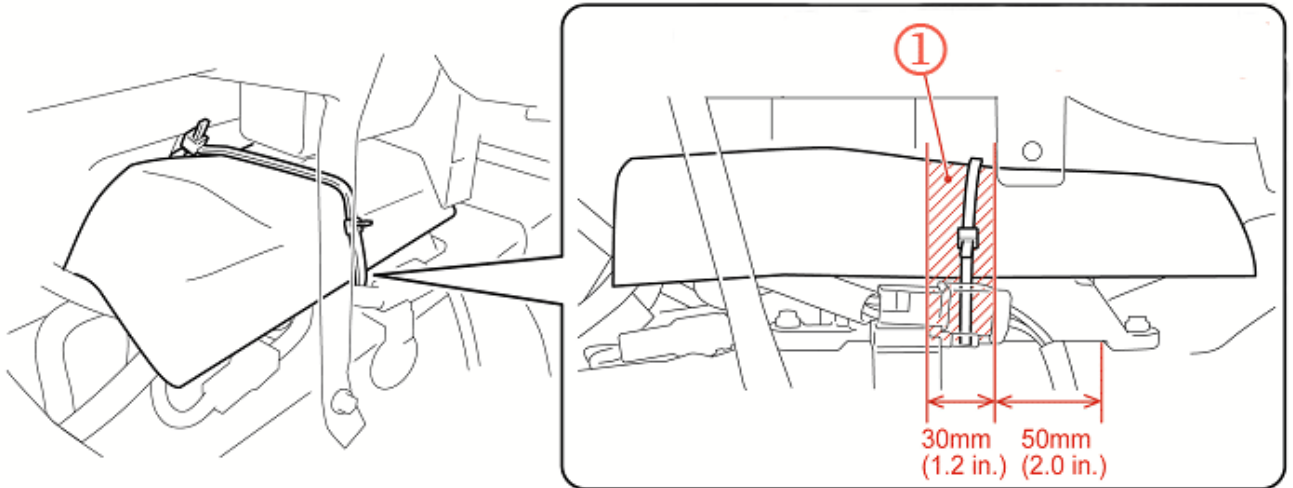
Note:

- Only 2 cable ties are needed for the repair, 2 extra ties are also provided as supplements.
- If it is difficult to pass the cable underneath the SDM, loosen the 3 bolts that fasten the SDM then tighten to: 13ft. lb. (17.5N·m)



3352713

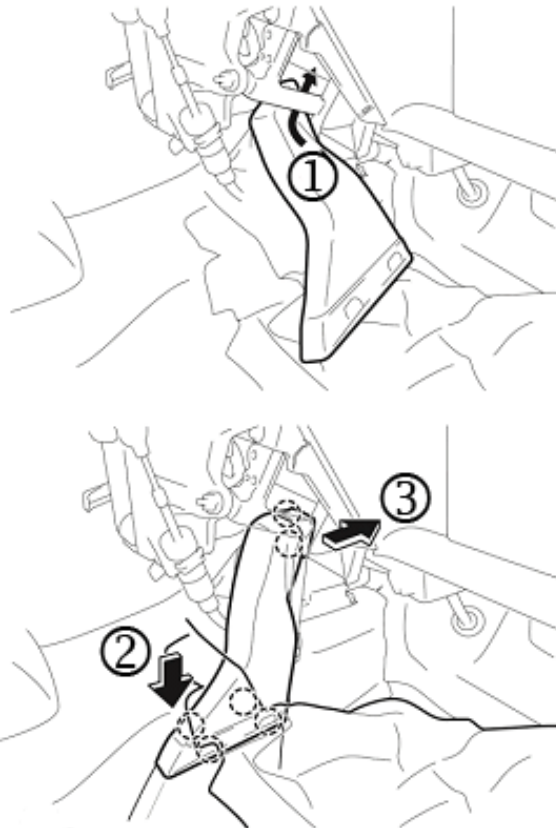
- e) Pass a cable tie through the space under the SDM (1), then connect another cable tie.
- f) Join the cable ties and secure the sub harness, water guard, and SDM together.



3352714

- g) Cut any excess length from the cable tie. Secure the sheet, sub wire harness and SDM with the joint cable tie within the range (1) shown above.

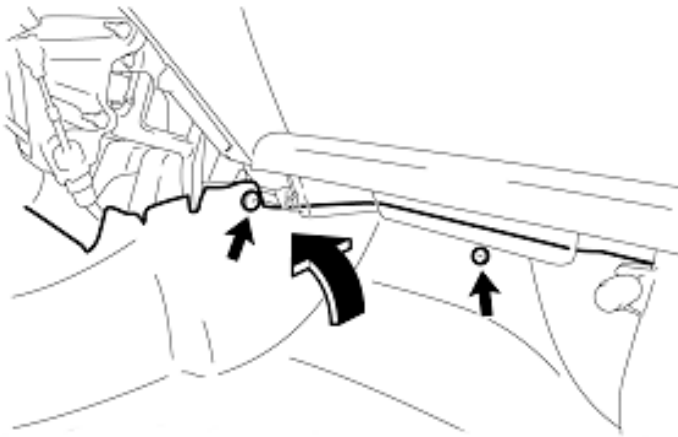
16. REINSTALL AIR DUCT REAR No. 3



3352715

- a) Insert the upper portion of the duct inside the bracket (1).
- b) Engage the 4 claws (2) on the lower portion of the duct.
- c) Engage the 2 claws (3) on the upper portion of the duct.

17. REINSTALL THE FLOOR CARPET RH



3352716

- a) Reposition the carpet and engage the 2 clips.

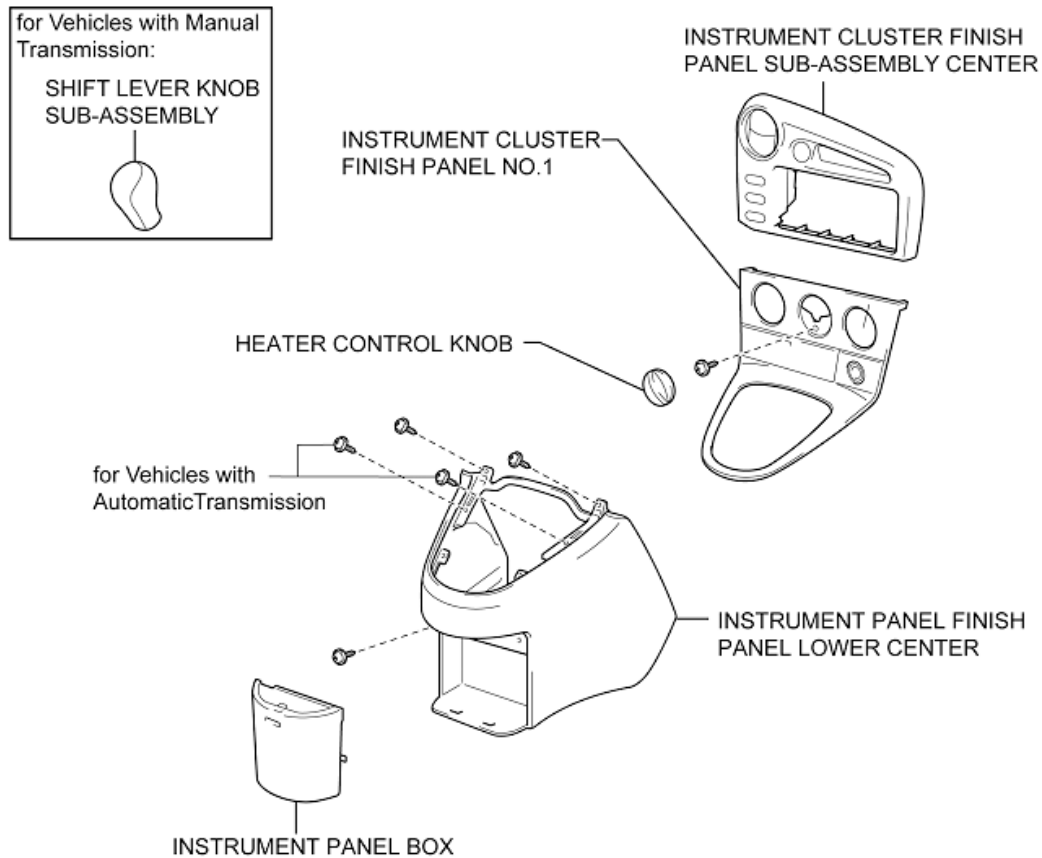
18. REINSTALL THE FLOOR CARPET LH

Warning: Confirm the floor carpet is secure and the clip is not damaged. Failure to secure the carpet could result in pedal interference.



3352719

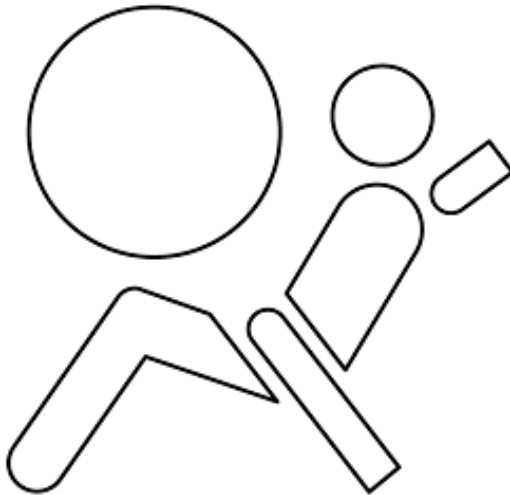
- a) Reposition the carpet and engage the clip.
b) Fasten the Velcro fastener.

19. INSTALL THE FOLLOWING

3352673

- a) Instrument panel finish panel lower center.
- b) Instrument panel box.
- c) Instrument cluster finish panel No. 1.
- d) Heater control knob.
- e) Shift lever knob sub-assembly (manual trans only).
- f) Instrument cluster finish panel sub-assembly center.

20. RECONNECT THE NEGATIVE BATTERY TERMINAL**21. CHECK THE AIRBAG WARNING INDICATOR**



33527671

- a) Confirm that the warning indicator illuminates when the ignition is switched on.
- b) Confirm that the warning light will go off after about 6 seconds have elapsed after IG on.

Caution:

- **After the 6 second illumination of the warning indicator, if the indicator goes off then back on or remains on, check for DTCs.**
- **Consult with the customer to determine if they would like to diagnose/repair any remaining concerns.**

22. RESTORE VEHICLE SETTINGS

- a) Restore any memory settings.
- b) Return the seats to their original positions.

CUSTOMER REIMBURSEMENT - For US

Customer requests for reimbursement of previously paid repairs for the recall condition are to be submitted to the dealer by May 31, 2014, unless otherwise specified by state law. If this is not convenient for the customer, they may mail the completed Customer Reimbursement Request Form and all required documents to the GM Customer Assistance Center.

All reasonable and customary costs to correct the condition described in this bulletin should be considered for reimbursement. Any questions or concerns should be reviewed with your GM representative prior to processing the request.

When a customer requests reimbursement, they must provide the following:

- A completed Customer Reimbursement Request Form. This form is mailed to the customer or can be obtained through GM GlobalConnect.
- The name and address of the person who paid for the repair.
- Paid receipt confirming the amount of the repair expense, a description of the repair, and the person or entity performing the repair.

IMPORTANT: GM requires dealers to approve or deny a reimbursement request within 30 days of receipt. If a reimbursement request is approved, the dealer should immediately issue a check to the customer and submit an appropriate warranty transaction for the incurred

expense. If a reimbursement request is denied, the dealer MUST provide the customer with a clear and concise explanation, in writing, as to why the request was denied. The bottom portion of the Customer Reimbursement Request Form may be used for this purpose. If the denial was due to missing documents, the customer can resubmit the request when the missing documents are obtained, as long as it is still within the allowed reimbursement period.

Warranty transactions for customer reimbursement of previously paid repairs are to be submitted as required by GM Global Warranty Management. Additional information can also be found in Warranty Administration Bulletin 11-00-89-004.

CUSTOMER REIMBURSEMENT - For Canada

Customer requests for reimbursement of previously paid repairs to correct the condition described in this bulletin are to be submitted to the dealer prior to or by May 31, 2014.

When a customer requests reimbursement, they must provide the following:

- Proof of ownership at time of repair.
- Original paid receipt confirming the amount of unreimbursed repair expense(s) (including Service Contract deductibles), a description of the repair, and the person or entity performing the repair.

All reasonable and customary costs to correct the condition described in this bulletin should be considered for reimbursement. Any questions or concerns should be reviewed with your GM representative prior to processing the request.

WARRANTY TRANSACTION INFORMATION

Submit a transaction using the table below. All transactions should be submitted as a ZFAT transaction type, unless noted otherwise.

Labor Code	Description	Labor Time	Net Item
V2848	Install Airbag Harness Kit	0.9	N/A
V2849	Install Airbag Harness Kit and Airbag Sensor Asm	1.0	
V2850*	Customer Reimbursement Approved	0.2	**
V2851	Customer Reimbursement Denied - For US dealers only	0.1	N/A

* Customer reimbursement will not close this recall. The service procedure must also be performed on the vehicle.

** The amount identified in "Net Item" should represent the dollar amount reimbursed to the customer.

CUSTOMER NOTIFICATION – For US and Canada

General Motors will notify customers of this recall on their vehicle (see copy of customer letter included with this bulletin).

CUSTOMER NOTIFICATION – For Export

Letters will be sent to known owners of record located within areas covered by the US National Traffic and Motor Vehicle Safety Act. For owners outside these areas, dealers should notify customers using the attached sample letter.

DEALER RECALL RESPONSIBILITY – For US and Export (US States, Territories, and Possessions)

It is a violation of Federal law for a dealer to deliver a new motor vehicle or any new or used item of motor vehicle equipment (including a tire) covered by this notification under a sale or lease until the defect or noncompliance is remedied.

The US National Traffic and Motor Vehicle Safety Act provides that each vehicle that is subject to a recall of this type must be adequately repaired within a reasonable time after the customer has tendered it for repair. A failure to repair within sixty days after tender of a vehicle is prima facie evidence of failure to repair within a reasonable time. If the condition is not adequately repaired within a reasonable time, the customer may be entitled to an identical or reasonably equivalent vehicle at no charge or to a refund of the purchase price less a reasonable allowance for depreciation. To avoid having to provide these burdensome remedies, every effort must be made to promptly schedule an appointment with each customer and to repair their vehicle as soon as possible. In the recall notification letters, customers are told how to contact the US National Highway Traffic Safety Administration if the recall is not completed within a reasonable time.

DEALER RECALL RESPONSIBILITY – All

All unsold new vehicles in dealers' possession and subject to this recall must be held and inspected/repaired per the service procedure of this recall bulletin before customers take possession of these vehicles.

Dealers are to service all vehicles subject to this recall at no charge to customers, regardless of mileage, age of vehicle, or ownership, from this time forward.

Customers who have recently purchased vehicles sold from your vehicle inventory, and for which there is no customer information indicated on the dealer listing, are to be contacted by the dealer. Arrangements are to be made to make the required correction according to the instructions contained in this bulletin. A copy of the customer letter is provided in this bulletin for your use in contacting customers. Recall follow-up cards should not be used for this purpose, since the customer may not as yet have received the notification letter.

In summary, whenever a vehicle subject to this recall enters your vehicle inventory, or is in your dealership for service in the future, you must take the steps necessary to be sure the recall correction has been made before selling or releasing the vehicle.

May 2013

Dear General Motors Customer:

This notice is sent to you in accordance with the requirements of the National Traffic and Motor Vehicle Safety Act.

The Pontiac Vibe was manufactured by New United Motor Manufacturing, Inc. (NUMMI), a joint venture between Toyota and GM.

Toyota has decided that a defect, which relates to motor vehicle safety, exists in certain 2003 and 2004 model year Pontiac Vibe vehicles. As a result, GM is conducting a safety recall. We apologize for this inconvenience. However, we are concerned about your safety and continued satisfaction with our products.

I M P O R T A N T

- Your vehicle is involved in safety recall 13030.
- Schedule an appointment with your GM dealer.
- This service will be performed for you at **no charge**.

Why is your vehicle being recalled?

The Electronic Control Module (ECM) for the Supplemental Restraint System (SRS) in your vehicle could have been manufactured with integrated circuits (ICs) that are susceptible to short circuiting when exposed to certain electrical noise from various vehicle electrical components. If internal short circuiting occurs, the front airbag(s) and/or seat belt pretensioners could inadvertently deploy. An airbag that deploys inadvertently can, under some circumstances, increase the risk of injury and the possibility of a crash.

What will we do?

Your GM dealer will install a sub-wire harness (filter) to minimize electrical noise from the other vehicle electrical components. This service will be performed for you at **no charge**. Because of service scheduling requirements, it is likely that your dealer will need your vehicle longer than the actual service correction time of approximately 1 hour.

What should you do?

You should contact your GM dealer to arrange a service appointment as soon as possible.

Did you already pay for this repair?

If you have paid for repairs for the recall condition, please complete the enclosed form and present it to your dealer with all required documents. Working with your dealer will expedite your request, however, if this is not convenient, you may mail the completed form and all required documents to Reimbursement Department, PO Box 33170, Detroit, MI 48232-5170. The completed form and required documents must be presented to your dealer or received by the Reimbursement Department by May 31, 2014, unless state law specifies a longer reimbursement period. Even though you may have already had this condition corrected, you will still need to take your vehicle to your dealer for additional repairs.

Do you have questions?

If you have questions or concerns that your dealer is unable to resolve, please contact the appropriate Customer Assistance Center at the number listed below.

Division	Number	Text Telephones (TTY)
Pontiac	1-800-762-2737	1-800-833-7668
Guam	65-6267-1752	
Puerto Rico – English	1-800-496-9992	
Puerto Rico – Español	1-800-496-9993	
Virgin Islands	1-800-496-9994	

If after contacting your dealer and the Customer Assistance Center, you are still not satisfied we have done our best to remedy this condition without charge and within a reasonable time, you may wish to write the Administrator, National Highway Traffic Safety Administration, 1200 New Jersey Avenue, SE, Washington, DC 20590, or call the toll-free Vehicle Safety Hotline at 1.888.327.4236 (TTY 1.800.424.9153), or go to <http://www.safercar.gov>. The National Highway Traffic Safety Administration Campaign ID Number for this recall is 13V029.

Federal regulation requires that any vehicle lessor receiving this recall notice must forward a copy of this notice to the lessee within ten days.

Jim Moloney
General Director,
Customer and Relationship Services

Enclosure
GM Recall #13030