



SI B11 11 12
Engine

July 2013
Technical Service

This Service Information bulletin supersedes SI B11 11 12 **dated January 2013.**

PERFORM THE PROCEDURE OUTLINED IN THIS SERVICE INFORMATION ON ALL AFFECTED VEHICLES BEFORE CUSTOMER DELIVERY OR THE NEXT TIME THEY ARE IN THE SHOP FOR MAINTENANCE OR REPAIRS.

BMW centers must ensure recalls are completed after having been notified by BMW of North America, LLC (BMWNA) that a safety-related defect or noncompliance exists in any motor vehicle or item of replacement equipment in the center's possession at the time of notification. In BMW NA's case, this notification would typically be made by the issuance of a recall notification in the form of a Service Information bulletin (SIB) or transmission of a Dealer Communication System (DCS) recall message.

Under the National Traffic and Motor Vehicle Safety Act of 1966, as amended, if a recall campaign is announced by BMW NA, centers must ensure that all recalls on new vehicles and new items of replacement equipment are completed **BEFORE delivery to the consumer. This means that centers may not legally deliver new motor vehicles or new items of replacement equipment to consumers with an open recall.**

The Safety Act also prohibits centers from selling or leasing the motor vehicle or item of replacement equipment, unless and until the open recall has been completed **BEFORE delivery. This also pertains to vehicles in the Certified Pre-Owned program, and to items of replacement equipment.**

Finally, BMW centers should not sell or use parts that have been recalled by BMW NA. Please follow the specific instructions provided by BMW NA on the return or disposition of the parts.

NEW designates changes to this revision

SUBJECT

Recall Campaign 12V-550:: Replace Hex Bolt with Internal Thread for Deflection Pulley

MODEL

E70 with M57Y engine

SITUATION

One of the alternator attaching bolts may fail. Subsequently the vehicle may lose power steering assist while driving. If power steering assistance is lost, the vehicle will remain controllable through the mechanical steering system, but with increased steering effort.

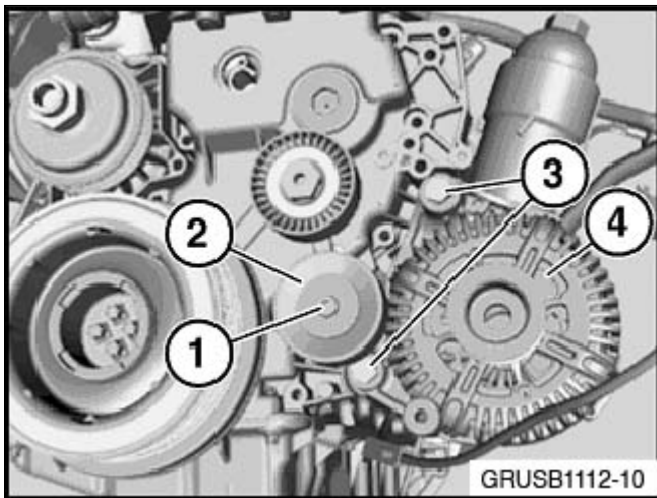
AFFECTED VEHICLES

This Recall Campaign involves E70 X5 vehicles with the M57Y engine produced from September 2008 to November 2012.

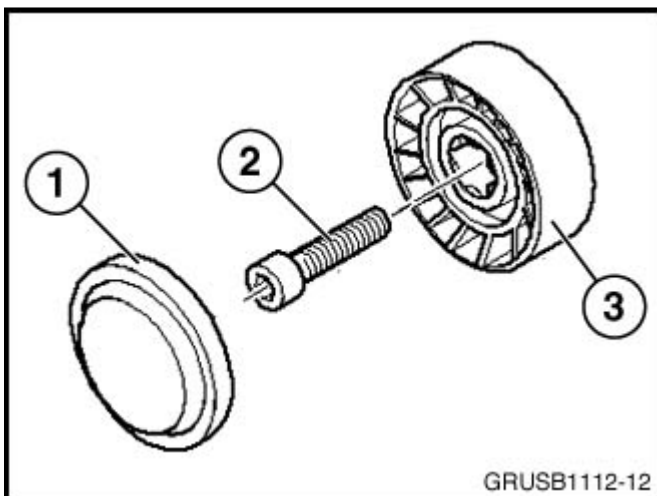
In order to determine whether a specific vehicle has had this Recall Campaign completed or is affected by this Recall Campaign, first check the B-pillar label for code number **632**. If code number **632** has been punched out, the campaign has already been performed. If code number **632** has not been punched out, it will be necessary to utilize the "Service Menu" of DCSnet (Dealer Communication System) or the Key Reader. Based on the response of the system, either proceed with the corrective action or take no further action

CORRECTION

1. Replace the alternator and deflection pulley mounting bolt. Use repair instruction 12 31 020 “Removing and installing/replacing alternator (M57TU, M57T2)” to access the deflection pulley mounting bolt. Do not remove the alternator.
2. For better accessibility the fan cowl and the upper cross member have to be removed as per repair instruction 17 11 035 Removing and installing/replacing fan cowl with electric fan (M57T2). When reinstalling the cross member new bolts are required.



3. Remove cover (1) from deflection pulley (2) to access the mounting bolt.



4. Remove the deflection pulley mounting bolt (2) to remove the deflection pulley (3).

Overview:

Cover for deflection pulley (1)

Deflection pulley mounting bolt (2)

Deflection pulley (3)

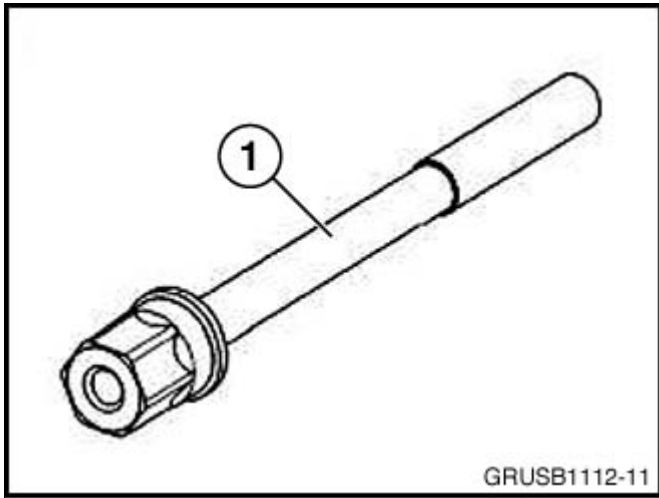
5. **NEW** Remove and replace the alternator bolt with P/N 12 31 8 574 809 (M10x125). Do not remove the alternator.

IMPORTANT!

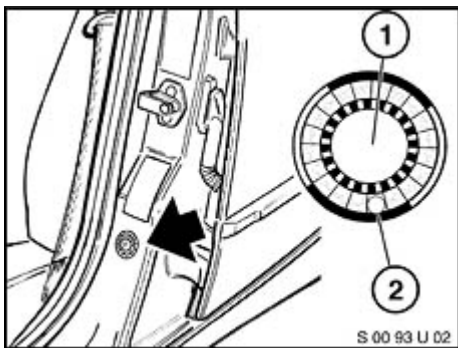
Bolt Torque Specification:

Torque the new bolt to 38 Nm initial torque, and then angle torque the bolt to an additional 180°.

Reassemble the vehicle.

**PARTS INFORMATION**

Part Number	Description	Quantity
12 31 8 574 809	Bolt (M10x125)	1
07 14 6 954 889	Hex bolt with collar	4

LABEL INSTRUCTIONS

This Recall has been assigned code number **632**. After the vehicle has been checked and/or corrected, obtain a label (SD 92-417) and:

- A. Emboss your BMW center warranty number in the middle of the label (1);
- B. Punch out code number **632** (2), printed on the label; and
- C. Affix the label to the B-pillar as shown.

If the vehicle already has a label from a previous Service Action/Recall Campaign, affix the new label next to the old one. Do not affix one label on top of another one because a number from an underlying label could appear in the punched-out hole of the new label.

WARRANTY INFORMATION

The repair described in this bulletin is covered under warranty regardless of time or mileage.

Reimbursement for this Recall will be via normal claim entry utilizing the following information:

Defect Code:	00 12 39 03 00
---------------------	-----------------------

Completion before vehicle delivery to the customer or the vehicle is already in the workshop

Labor Operation:	Labor Allowance:	Description:
00 61 558	10 FRU	Replace alternator and deflection pulley mounting bolt

Labor operation code 00 61 558 is a Plus labor operation.

or

Completion after vehicle delivery as Main work

Labor Operation:	Labor Allowance:	Description:
00 61 010	12 FRU	Replace alternator and deflection pulley mounting bolt

Labor operation code 00 61 010 is a Main labor operation.

If bolt fails before the vehicle is brought to your center, additional work may be necessary. This additional work must be claimed with separate labor operation(s) under the defect code listed above; refer to KSD2.

Please explain this additional work on the repair order and in the claim comment section.

[Copyright ©2013 BMW of North America, Inc.]