

**PREVOST**

ENREGISTRÉ - REGISTERED  
ISO 9001 & ISO 14001

**SAFETY  
RECALL**

Sr12-19



DATE : JULY 2012	SECTION : 14-STEERING
SUBJECT : REPLACEMENT OF STEERING GEARBOX MOUNTING BOLTS	

**APPLICATION**

Model	VIN	
H3-45 VIP shells Model Year : 2012	From 2PCVS3497CC712027 up to 2PCVS3493CC712090 incl.	
X3-45 coaches Model Year 2012	From 2PCG33496CC735241 up to 2PCG33493CC735276 incl.	
X3-45 VIP shells Model Year : 2012	2PCBS3499CC735070 2PCBS3492CC735248 2PCBS3499CC735263	2PCBS3492CC735265 2PCBS3490CC735281
XLII Entertainer shells Model Year : 2012	2PCYS3494CC735262 2PCYS3493CC735267 2PCYS3496CC735277 2PCYS3498CC735278	2PCYS349XCC735279 2PCYS3496CC735280
This Safety Recall does not necessarily apply to all the above-mentioned vehicles, some vehicles may have been modified before delivery. The owners of the vehicles affected by this recall will be advised by a letter indicating the Vehicle Identification Number (VIN) of each vehicle concerned.		

**DESCRIPTION**

On vehicles affected by this recall, it is absolutely necessary to replace the steering gearbox mounting bolts.

The steering gearbox mounting bolts found on the involved vehicles are too long to be used with the steering gearbox support design installed on the involved vehicles.

Too long bolts will reach the bottom of the blind holes found on the steering gearbox before a sufficient clamping force is created to maintain the steering gearbox properly fastened on its support. Bolts may be insufficiently torqued.

With the passing of time, the steering gearbox bolts may start to loosen, leading to reduced steering function, thus increasing the risk of a crash.

## MATERIAL

Part No.	Description	Qty
5001442	SCREW, CAP HEX N500 M20x1.5X40mm lg Grade10.9	5
611044	WASHER, FLAT N500 21X37X4	5

### NOTE

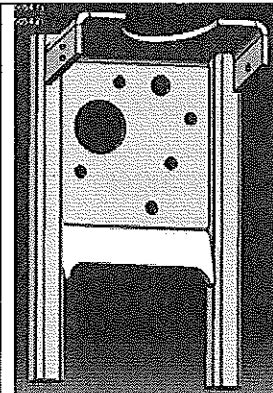
Material can be obtained through regular channels.

## PROCEDURE

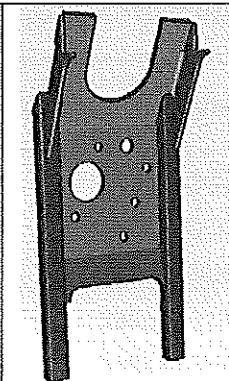


### DANGER

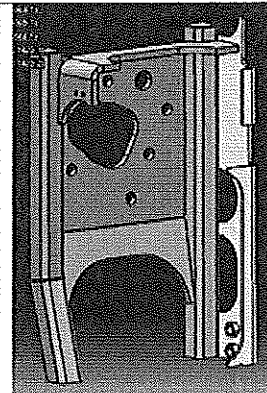
Park vehicle safely, apply parking brake, stop engine and set battery master switch(es) to the OFF position prior to working on the vehicle.



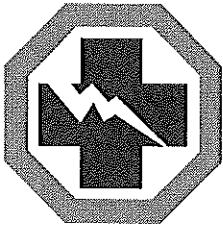
AFFECTED STEERING GEARBOX  
SUPPORT FOUND ON X3-45 COACHES



AFFECTED STEERING GEARBOX  
SUPPORT FOUND ON XLII MTH



AFFECTED STEERING GEARBOX  
SUPPORT FOUND ON H3 VIP



**PREVOST**

### Safety Recall Certification Sheet (Ref: SR12-19)

ENREGISTRÉ - REGISTERED  
ISO 9001 & ISO 14001



**SERIAL NUMBER:** \_\_\_\_\_

PERFORMED BY		OWNER/OPERATOR	
We hereby certify that Safety Recall Instructions with regard to Safety Recall #12-19 have been performed.			
Name: _____		Name: _____	
Addr: _____		Addr: _____	
Phone: _____		Phone: _____	
Fax: _____		Fax: _____	
Signature :	_____	Signature :	_____
Date:	_____	Date:	_____

If the information mentioned above is incorrect or you are not the owner of this vehicle anymore, please fill this section and return to sender.

**NEW OWNER:** \_\_\_\_\_

**BUSINESS:** \_\_\_\_\_

**ADDRESS (including County):** \_\_\_\_\_

\_\_\_\_\_

\_\_\_\_\_

\_\_\_\_\_

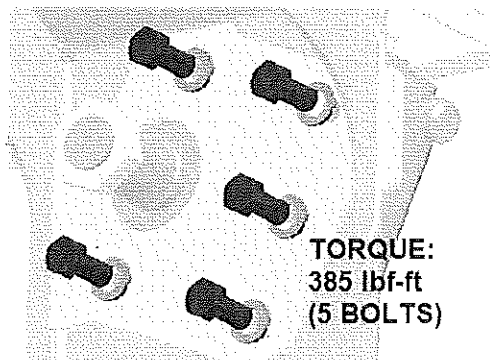
**TELEPHONE:** \_\_\_\_\_ **FAX:** \_\_\_\_\_

**Please return this completed document with your A.F.A. form**

**NOTE**

In order to maintain steering gearbox in proper position, replace mounting bolts one at a time.

1. Unscrew and discard a first steering gearbox mounting bolt and washer.
2. Replace that bolt and washer using bolt #5001442 and a flat washer #611044. Apply blue Loctite 243 on bolt threads and tighten to a torque of **385 lbf-ft**.
3. Repeat the previous steps for the second bolt and so on up to the fifth bolt.
4. Finally, apply an anti-corrosion compound on bolts head and washers.



**WARRANTY**

This modification is covered by Prevo's normal warranty. We will reimburse you the parts and 3/4 hour (0.75) of labor upon receipt of a completed A.F.A. form on which you must specify as per "Safety Recall 12-19". You also have to fill the "Safety Recall Certification Sheet" provided with this bulletin and return it with your A.F.A. form to be reimbursed.

**OTHER**

VBC Bulletin	n-a
Fail Code	14-00
Defect Code	09
System Condition	R
Causal Part	5001494