

Volvo Car Customer Service		
	TJ Instruction	
	No 25330	
		Date February 2012 Issue 01
Title	Loose connectors in front seat cable harness	

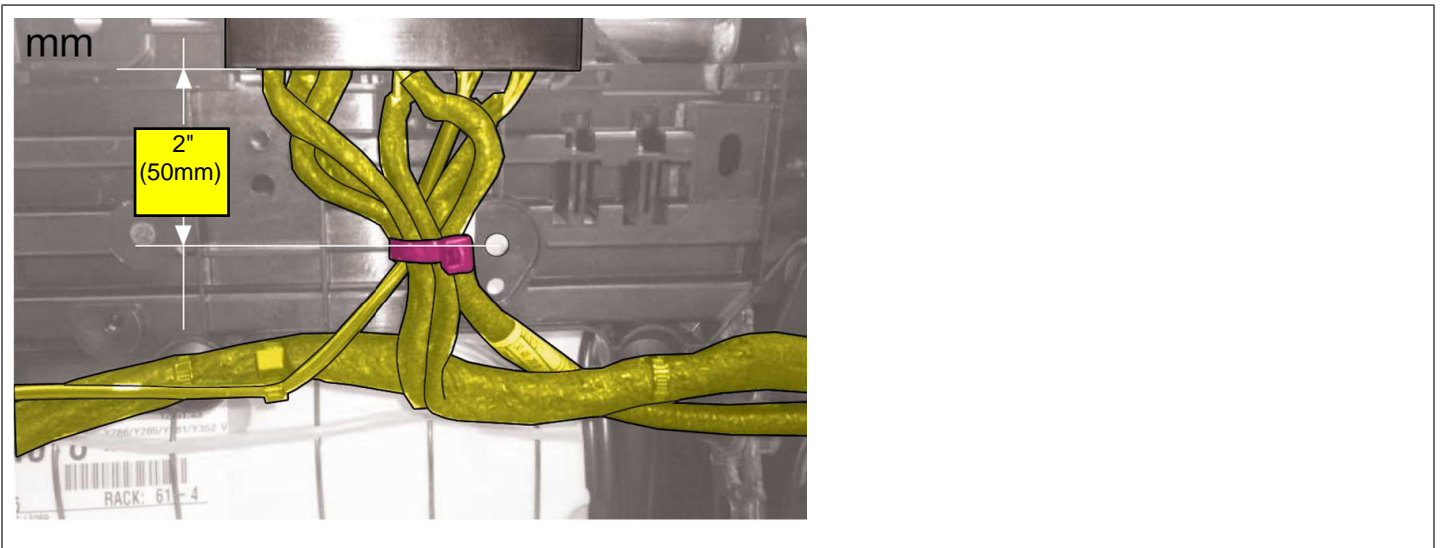
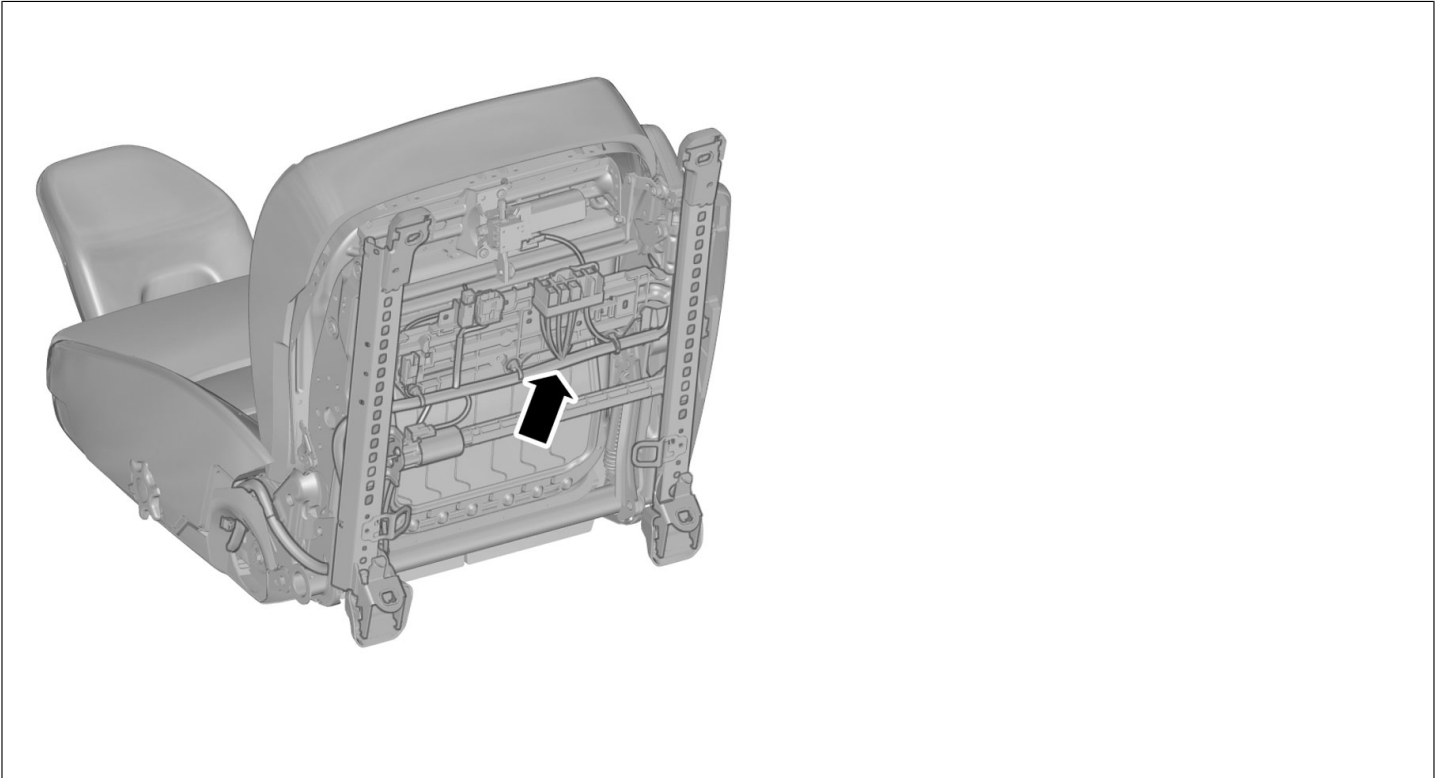
Materials	Quantity	Part No.
Cable tie	6.0	983750

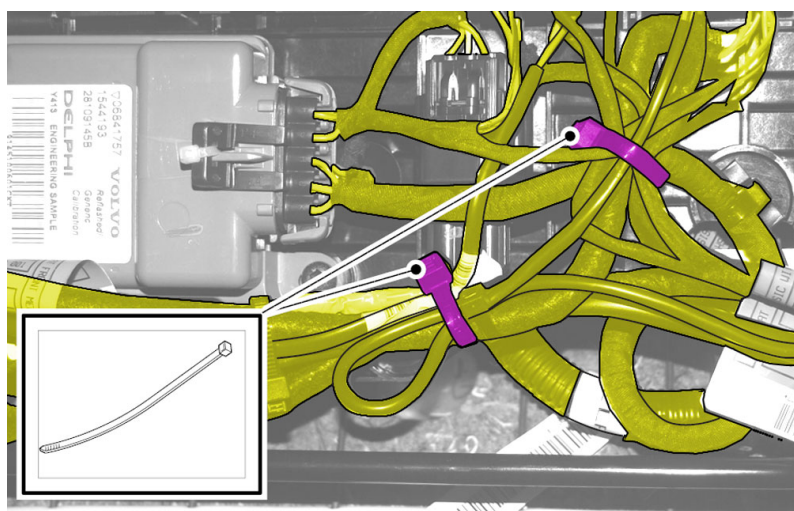
1.

Note! Some variation in the illustrations may occur, but the essential information is always correct

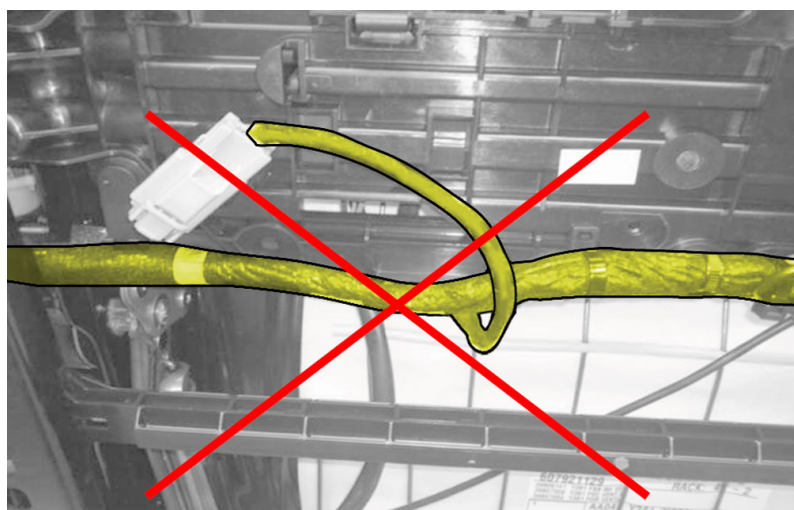
Adjustment

Remove front seat, refer to:
Removal, replacement and installation
8 - Body and interior
85 - Interior
852 - front seat, drivers seat, seat bench
type

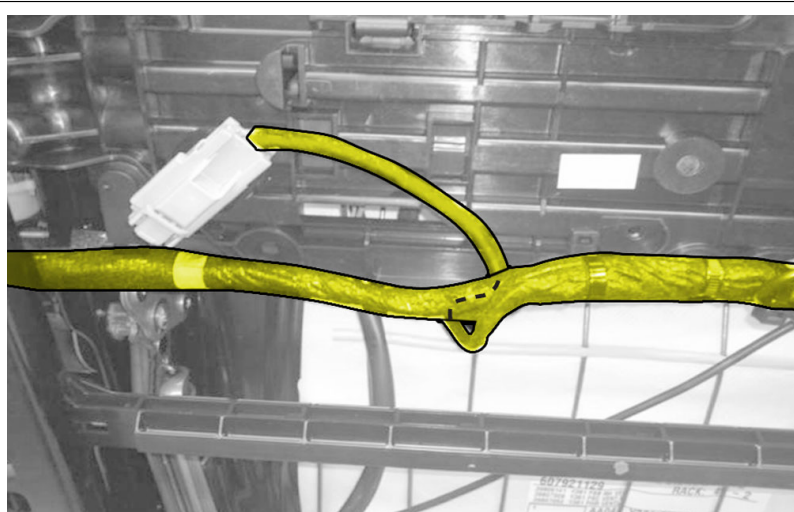




Note! Vehicles with Occupant Weight Sensor (OWS)

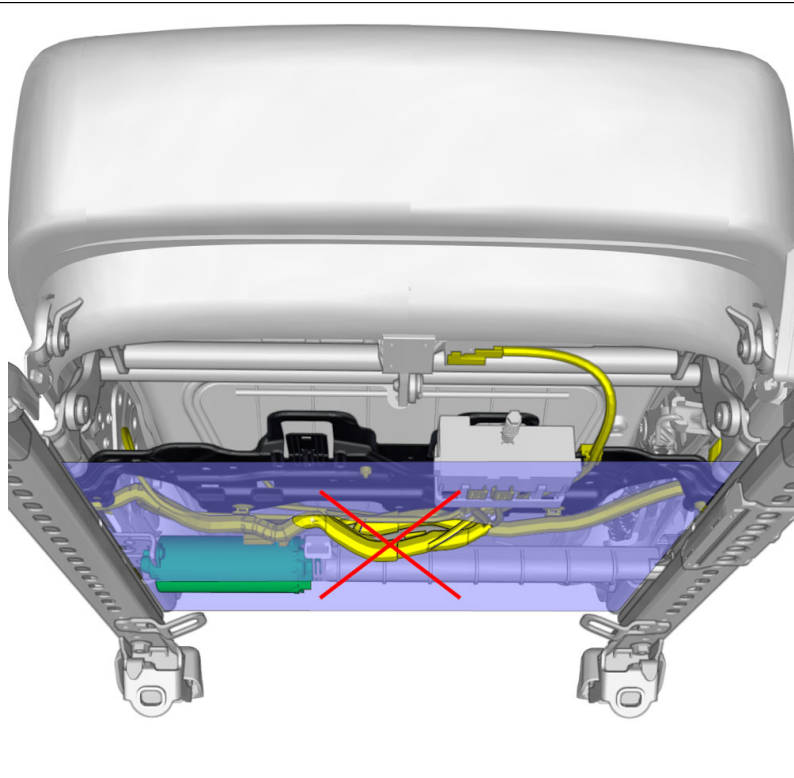


Note! Vehicles with Seat Ventilation

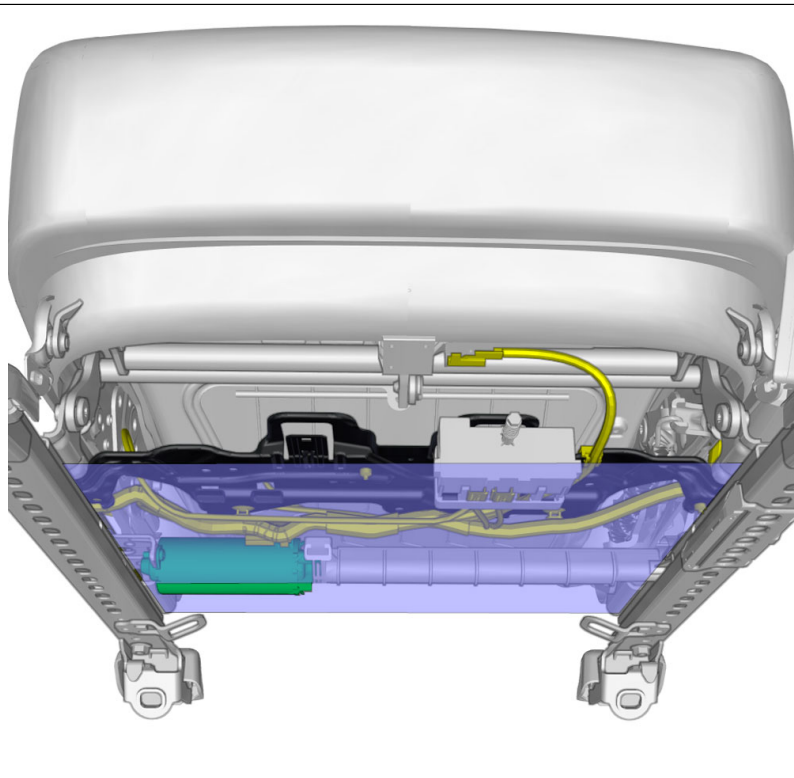


Note! Vehicles with Seat Ventilation

Vehicles with power seats

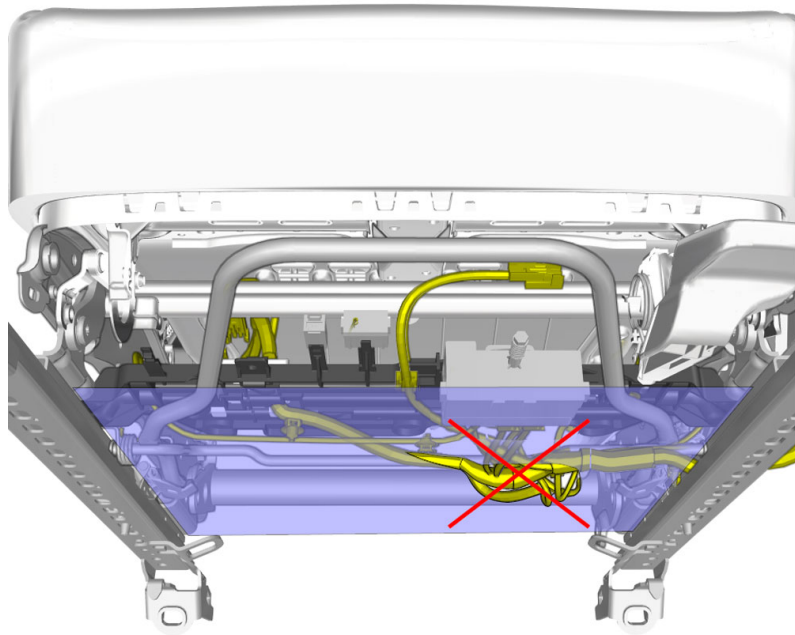


Caution! Make sure that the wiring harness does not catch.

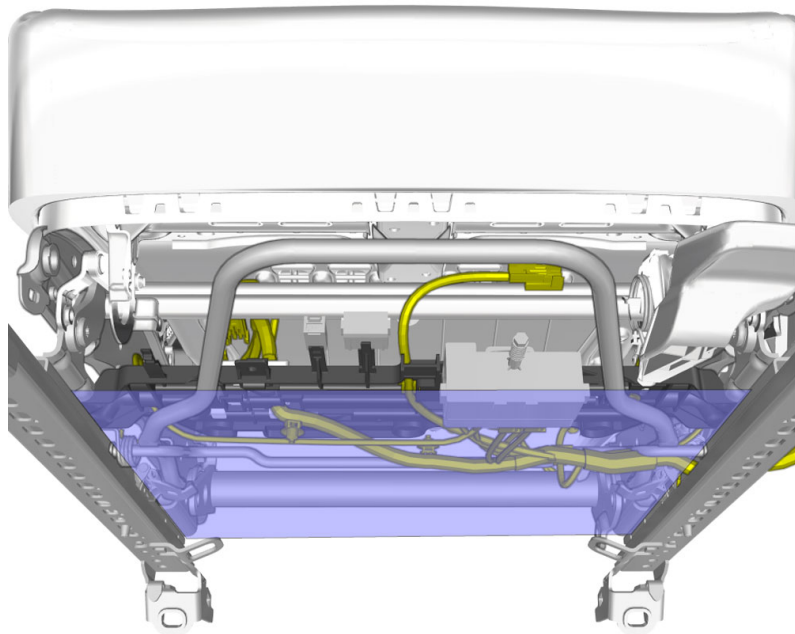


Note! Extra cable length must be secured using cable ties.

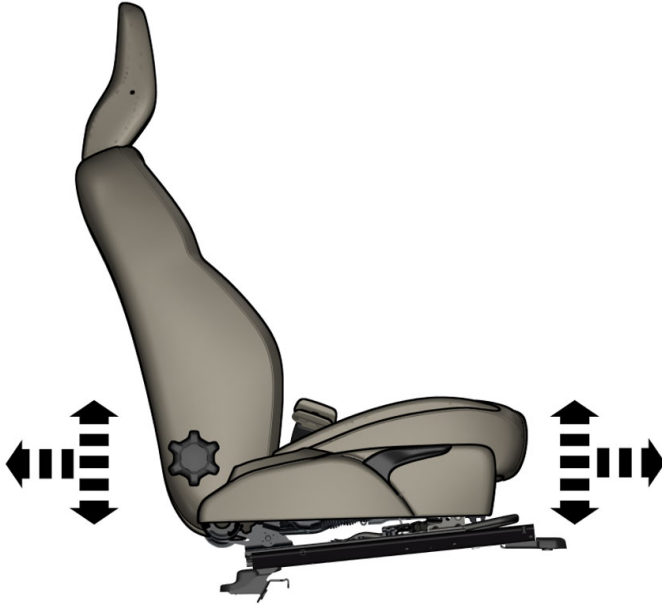
Vehicles without power seats



Caution! Make sure that the wiring harness does not catch.



Note! Extra cable length must be secured using cable ties.

Check

Caution! Make sure to reach all end positions.

Caution! Make sure that the wiring harness is not stretched.

Install the front seat, refer to:

Removal, replacement and installation

8 - Body and interior

85 - Interior

852 - front seat, drivers seat, seat bench type