



Toyota Motor Sales, U.S.A., Inc.  
19001 South Western Avenue, S207  
Torrance, CA 90509-2991

TMS-NTC-13090  
April 3, 2013

Recall Management Division  
National Highway Traffic Safety Administration  
1200 New Jersey Avenue, SE  
Washington, DC 20590

Re: Toyota Safety Recall 12V-542 Dealer Notification - Remedy Phase 2

To whom it may concern,

Please find attached the Dealer Notification - Remedy Phase 2 Letter for Toyota Safety Recall 12V-542 on the following Toyota vehicles:

- 2001 through 2004 Model Year Tacoma

If you have any questions regarding this matter, please contact me at (310) 468-5316.

Sincerely,

A handwritten signature in black ink, appearing to read "M.L. J. K.", is written over a thin horizontal line.

Quality Compliance Assistant Manager

Attachments:

- Toyota 12V-542 (C0V) Dealer Notification (Remedy Ph2)

To: All Toyota Dealer Principals, Service Managers, Parts Managers

Subject: Safety Recall C0V **Remedy Notification Phase 1 & 2**  
2001 through 2004 Model Year Tacoma Vehicles  
Originally Sold in and/or Currently Registered in the Cold Climate States  
Excessive Corrosion of the Spare Tire Carrier Lift Plate



**Update:**

3/29/2013: We are pleased to announce that Phase 2 (covering PreRunner and 4WD vehicles) is now being launched. The document below has been updated to reference both Phase 1 and 2 of Safety Recall C0V. Noteworthy updates are highlighted in yellow.

As previously announced, in November, 2012, Toyota filed a Defect Information Report (DIR) with the National Highway Traffic Safety Administration (NHTSA) informing the agency of our intent to conduct a voluntary Safety Recall on 2001 through 2004 model year Tacoma vehicles originally sold in and/or currently registered in the following states and the District of Columbia (“Cold Climate States”):

**CT, DE, IL, IN, KY, MA, MD, ME, MI, MN, NH, NJ, NY, OH, PA, RI, VA, VT, WI, and WV**

**Condition**

This condition affects certain 2001 through 2004 model year Tacoma vehicles originally sold in and/or currently registered in cold climate areas with high road salt use (Cold Climate States). The spare tire is stored underneath the rear bed of the vehicle and is suspended from the spare tire carrier on a metal lift plate. Under certain environmental and usage conditions, the lift plate could corrode. In limited cases, corrosion of the plate over time could cause it to break, which could result in detachment of the spare tire from the vehicle. Detachment of the spare tire could increase the risk of a vehicle crash.

**Remedy**

Toyota dealers are requested to visually inspect the condition of the spare tire carrier lift plate. Based on the results of the inspection, if significant corrosion is found, the spare tire carrier will be replaced at **no charge** to the customer.

As an additional measure of confidence for the customer, dealers are also requested to perform a functional test of the spare tire carrier to ensure proper operation. The functional test will also be performed at **no charge** to the covered vehicle’s owner.

***Please reference the Technical Instructions for inspection criteria and other information on this remedy.***

The following information is provided to inform you and your staff of the owner notification timing and your degree of involvement.

**1. Owner Notification / Safety Recall Remedy Launch Timing**

Phase	Vehicle’s included in Phase	Tentative Owner Mailing Schedule
Phase 1	2WD Tacoma Vehicles	2/14/2013 – 3/14/2013
Phase 2	PreRunner Tacoma Vehicles	Beginning in Early April 2013
	4WD Tacoma Vehicles	

Please note that only owners of the covered vehicles will be notified. If a dealership is contacted by an owner who has not yet received the notification, please **verify coverage by confirming through Dealer Daily/TIS**. Dealers should perform the procedure as outlined in the Technical Instructions located on TIS.

**2. Used Vehicles in Dealer Inventory or Customer Trade-Ins**

Toyota requests dealers to conduct the remedy on any pre-owned vehicles currently in dealer inventory or that are acquired through trade-ins that are covered by Safety Recall C0V prior to delivery to the customer or to an auction.

**3. Dealer Summary Reports**

- Phase 2 Summary Reports containing the number of covered vehicles in your dealership's primary marketing area have been enclosed in the dealer package. (Please verify eligibility by confirming through Dealer Daily or TIS prior to performing repairs.)
- Phase 1 summary reports were provided previously.

**4. Number and Identification of Covered Vehicles**

There are approximately 166,000 Tacoma vehicles (2001 through 2004 model year) vehicles covered by this Safety Recall in the U.S.

Phase	Covered Vehicles	Appr. UIO
Phase 1	2001 through 2004 Tacoma <b>2WD</b> Vehicles	30,000
Phase 2	2001 through 2004 Tacoma <b>PreRunner</b> Vehicles	21,000
	2001 through 2004 Tacoma <b>4WD</b> Vehicles	115,000

**Phase 1 & 2 VIN Range**

WMI	MY	VDS	Start	Finish
5TE	2001	GM92N	Z727245	Z880431
		GN92N	Z726201	Z880433
		HN72N	Z726498	Z880444
		NL42N	Z718168	Z880440
		NM92N	Z718261	Z880427
		PM62N	Z718416	Z880351
		SM92N	Z718295	Z880439
		SN92N	Z718166	Z880436
		VL52N	Z718280	Z880441
		VN52N	Z718355	Z879914
		WM72N	Z718164	Z880443
		WN72N	Z718395	Z880438
	2002	GM92N	Z000001	Z145261
			Z880738	Z899998
		GN92N	Z000190	Z145313
			Z880448	Z899894
		HN72N	Z000002	Z145298
			Z880635	Z899997
		NL42N	Z000006	Z145309
			Z880445	Z899978
		NM92N	Z000233	Z145312
			Z880684	Z899936
		PM62N	Z000022	Z145307
			Z880594	Z899995
		SM92N	Z000245	Z145301
			Z880594	Z899972
SN92N	Z000012	Z145296		
	Z880783	Z899646		
VL52N	Z000013	Z145315		
	Z880530	Z899984		
VN52N	Z000017	Z133342		
	Z881078	Z898219		
WM72N	Z000058	Z145294		
	Z880620	Z899904		
WN72N	Z000019	Z145305		
	Z880446	Z899885		

WMI	MY	VDS	Start	Finish
5TE	2003	GM92N	Z145585	Z305459
		GN92N	Z145318	Z305507
		HN72N	Z145460	Z305500
		NL42N	Z145319	Z305504
		NM92N	Z145535	Z305379
		PM62N	Z145471	Z305481
		SM92N	Z145555	Z305506
		SN92N	Z145622	Z305491
		VL52N	Z145395	Z305505
		VN52N	Z145797	Z304523
		WM72N	Z145487	Z305493
		WN72N	Z145316	Z305501
	2004	GM92N	Z305895	Z466734
		GN92N	Z305509	Z466774
		HN72N	Z305686	Z466778
		NL42N	Z305510	Z466783
		NM92N	Z305853	Z466785
		PM62N	Z305763	Z466764
		SM92N	Z305863	Z466748
		SN92N	Z305944	Z466746
VL52N	Z305639	Z466782		
VN52N	Z306177	Z454172		
WM72N	Z305789	Z466757		
WN72N	Z305508	Z466784		

Please note that only owners of the covered vehicles will be notified. If a dealer is contacted by an owner who has not yet received the notification, please **verify coverage by confirming through Dealer Daily/TIS.**

A UIO matrix by state is provided to inform your dealership of the number of covered vehicles in your state.

Approx. UIO by state for vehicles currently registered **and** originally sold in the 20 Cold Climate States (Phase 1 and 2).

STATE	UIO	STATE	UIO	STATE	UIO	STATE	UIO	STATE	UIO
CT	5,507	KY	8,183	MI	4,355	NY	11,758	VA	20,290
DE	1,067	MA	13,097	MN	3,179	OH	9,802	VT	3,380
IL	5,880	MD	10,757	NH	4,977	PA	14,774	WI	3,946
IN	4,139	ME	4,068	NJ	8,332	RI	2,365	WV	4,882

Approx. UIO by state for vehicles originally sold in **but not** currently registered in the 20 Cold Climate States.

STATE	UIO	STATE	UIO	STATE	UIO	STATE	UIO	STATE	UIO
AK	178	GA	1,389	MS	384	OK	232	WA	729
AL	712	HI	189	MT	286	OR	397	WY	130
AR	287	IA	414	NC	3,856	SC	1,035		
AZ	538	ID	242	ND	74	SD	90		
CA	1,753	KS	242	NE	150	TN	1,890		
CO	1,034	LA	246	NM	268	TX	1,371		
FL	2,457	MO	582	NV	200	UT	340		

**5. Parts Ordering Process (Dealer Ordering Solutions)**

Orders can be placed through your dealership’s facing PDC. Please refer to the table below and the Technical Instructions for part number ordering information. The parts will be placed on Dealer Ordering Solutions and will be systematically released daily based on dealer ordering criteria.

Model	Part Number	Part Description	Qty.
2WD (Excluding PreRunner)	04002-11104	Spare Tire Carrier Kit	1
<b>4WD &amp; PreRunner</b>	<b>04002-11204</b>	<b>Spare Tire Carrier Kit</b>	<b>1</b>
All	90080-11180	Bolt w/Washer	4

Each dealer will receive specific dealer ordering criteria in an email from their facing PDC Manager based on Repair Order Volume x PDC Affected UIO. Therefore, it is vital that each dealership work with both Parts and Service to immediately file claims and coordinate appropriate kit orders. A sample of the Parts Allocation Report has been attached below for your reference.

TOYOTA						
Parts Allocation Report						
99999						
SAMPLE TOYOTA of NOWHERE						
The below matrix provides information for parts managed by NAPO Dealer Ordering Solution (DOS) and illustrates updates to your current daily allocation quantities. Parts shipments, arrivals and inventory quantities at your local PDC will change daily as parts are received and shipped from NAPO Suppliers. Therefore, your daily allocation quantity is subject to change based on the parts in-stock availability as well as in-transit inventory to your facing PDC. This report is provided as needed when daily allocation changes for DOS parts.						
Parts with recent changes will be illustrated from top to bottom with the most recent effective date.						
If you have any questions or concerns, please contact your facing PDC Customer Support Leader, John Q Sample at (999) 999-9999.						
Part Number	Total Allocation Quantity	Allocation Quantity	Allocation Frequency	Total Allocation Shipped	Total Allocation Remaining	Effective Date

**IMPORTANT PARTS ORDERING UPDATE**

All Safety Recall, Service Campaign (SSC/LSC) and Customer Support Program (CSP) parts will be eligible for the Monthly Parts Return Program. Please refer to PANT Bulletin 2011-087 for campaign parts that are currently returnable under the Monthly Parts Return Program and additional details.

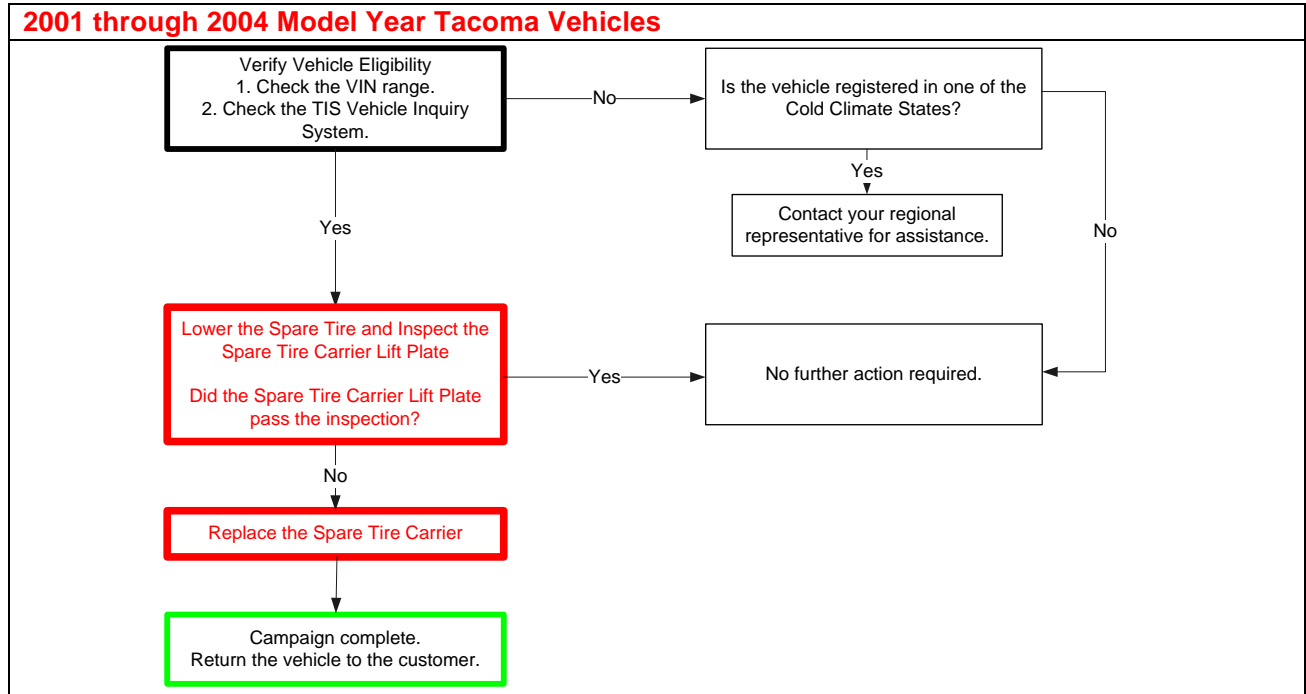
Note: Chemicals, such as Grease, are not eligible for the Monthly Parts Return Program.

**6. Remedy Procedures**

Please refer to TIS for Technical Instructions on vehicle repair.

Conduct all applicable, non-completed Safety Recall and Service Campaigns on the vehicle during the time of appointment.

**7. Warranty Reimbursement Procedure**

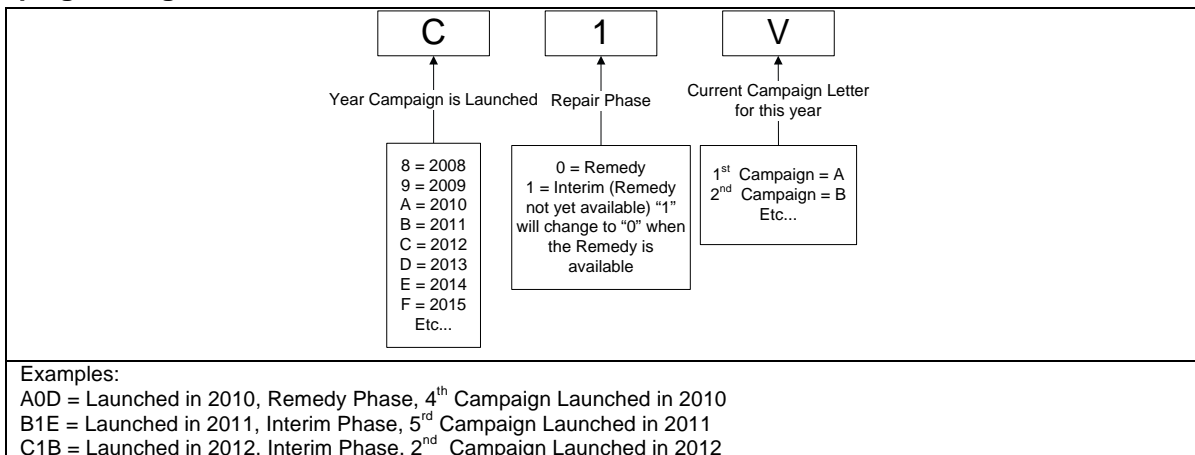


**Operation Codes – Phase 1 & 2**

Op. Code	Description	Flat Rate Hour
2516LA	Perform Spare Tire Carrier Inspection & Functional Test	0.3 hr/vehicle
2516LB	Inspect and Replace the Spare Tire Carrier	0.9 hr/vehicle

- The above operation codes include 0.1 hour for administrative cost per unit for the dealership.

**Campaign Designation Decoder**



**8. Repair Quality Confirmation**

The repair quality of covered vehicles is extremely important to Toyota. To help ensure that all vehicles have the repair performed correctly, please designate at least one associate (someone other than the individual who performed the repair) to verify the repair quality of every vehicle prior to customer delivery.

**9. Media Contacts**

It is imperative that all media contacts (local and national) receive a consistent message. In this regard, all media contacts must be directed to Brian Lyons (310) 468-2552 in Toyota Corporate Communications. (Please do not provide this number to customers. Please provide this contact to only media associates.)

**10. Customer Contacts**

A Q&A has been attached for your use in the event you receive a customer contact. If a customer has further questions, please direct the inquiry to the Toyota Customer Experience Center at 1-800-331-4331.

***Please review this entire package with your Service and Parts staff to familiarize them with the proper step-by-step procedures required to implement this Safety Recall.***

Thank you for your cooperation.  
TOYOTA MOTOR SALES, U.S.A., INC.



**Safety Recall C0V – Remedy Notice**  
**2001 through 2004 Model Year Toyota Tacoma Vehicles**  
**Originally Sold In and/or Currently Registered in Specific 20 Cold Climate States**  
**Excessive Corrosion of the Spare Tire Carrier Lift Plate**

**Frequently Asked Questions**

Published Late March, 2013

We at Toyota care greatly about your safety; we are providing the following information to keep you informed of the recall details.

**Q1: What is the condition?**

A1: This condition affects certain 2001 through 2004 model year Tacoma vehicles originally sold in or currently registered in cold climate areas with high road salt use (Cold Climate States – see Q3 for a list of states covered under this campaign). The spare tire is stored underneath the rear bed of the vehicle and is suspended from the spare tire carrier on a metal lift plate. Under certain environmental and usage conditions, the lift plate could corrode. In limited cases, corrosion of the plate over time could cause it to break, which could result in detachment of the spare tire from the vehicle. Detachment of the spare tire could increase the risk of a vehicle crash.

**Q2: What is the cause of this condition?**

A2: During the manufacture of the lift plate of the spare tire carrier, the plate may not have been sufficiently coated with phosphate. This combined with prolonged exposure to road salts and other environmental factors, could contribute to the development of more than normal rust in the lift plate of some vehicles. This condition is unrelated to, and separate from, normal surface rust which is commonly found on metallic surfaces after some years of usage and/or exposure to the environment.

**Q3: What are the “Cold Climate States” with high road salt usage covered by this Recall Campaign?**

A3: The following states and the District of Columbia are referred to as the “Cold Climate States”:

**CT, DE, IL, IN, KY, MA, MD, ME, MI, MN, NH, NJ, NY, OH, PA, RI, VA, VT, WI, and WV**

**Q3a: Why are some states contiguous to the Cold Climate States not included?**

A3a: Only portions of the listed states above have the cold climate and high road salt usage which can cause this condition. To simplify the administration of this recall campaign and avoid confusion, Toyota has elected to include the entire state rather than a portion.

**Q4: What is Toyota going to do?**

A4: The remedy portion for this Safety Recall will be separated into two phases. The table below outlines the details for the two different phases.

Phase	Vehicle's included in Phase	Owner Mailing Schedule
Phase 1	2WD Tacoma Vehicles	Mid-February 2013 through Mid-March 2013
Phase 2	PreRunner Tacoma Vehicles	Beginning in Early April 2013
	4WD Tacoma Vehicles	

*Owner Letters will be mailed out by first class mail.*

Any authorized Toyota dealer will visually inspect the condition of the spare tire carrier lift plate. Based on the results of the inspection\*, if significant corrosion is found, the spare tire carrier will be replaced at **no charge** to you.

As an additional measure of confidence, Toyota will also perform a functional test of the spare tire carrier to ensure proper operation. The functional test will also be performed at **no charge** to you.

\*Based upon Toyota's inspection criteria. For additional information, please contact a Toyota Dealer.

**Q5: Which and how many vehicles are covered by this Recall Campaign?**

A5: There are approximately 166,000 Tacoma (2001 - 2004 model year) vehicles originally sold in and/or currently registered in the Cold Climate States.

Toyota will conduct the remedy portion of this campaign in two phases.

Phase	Vehicle's included in Phase	Production Period	Approximate UIO
Phase 1	2WD Tacoma Vehicles	Late Aug. 2000 to Late Aug. 2004	UIO = 30,000
Phase 2	PreRunner Tacoma Vehicles		UIO = 21,000
	4WD Tacoma Vehicles		UIO = 115,000

**Q6: Why is Toyota not launching this Safety Recall in the remaining 30 states?**

A6: Continued prolonged exposure to road salts and other severe cold climate environmental factors are critical contributors to the development of excessive corrosion of the Spare Tire Carrier Lift Plate in some vehicles. Therefore, vehicles in non-covered states are unlikely to experience excessive corrosion of the spare tire carrier lift plate.

**Q7: What should I do if I experience this condition or have immediate concerns about my vehicles?**

A7: If you have immediate concerns about this issue, please contact your local Toyota dealer for diagnosis and, if appropriate, repair.

**Q7a: How does Toyota obtain my mailing information?**

A7a: Toyota uses an industry provider who works with each state Department of Motor Vehicles (DMV) to receive registration or title information. Please make sure your registration or title information is correct.

**Q7b: Do I need my owner letter to have the remedy performed?**

A7b: You do not need an owner letter to have this recall completed; however, to assist the dealer in confirming vehicle eligibility, we request that you present the owner notification at the time of your service appointment.

**Q8: Are there any other Toyota or Lexus vehicles covered?**

A8: There are no other Toyota or Lexus vehicle covered by this campaign.



**Q9: How long will the repair take?**

A9: The inspection of the spare tire carrier and its lift plate will take approximately 10 minutes. Based upon the results of the inspection if the spare tire carrier requires replacement, the repair will take approximately 40 minutes. However, depending upon the dealer's work schedule, it may be necessary to make the vehicle available for a longer period of time.

**Q10: What if I have previously paid for repairs related to this Recall Campaign?**

A10: Reimbursement consideration instructions will be provided in your Remedy Owner Letter.

**Q11: What if I have other concerns with my vehicle?**

A11: Customer satisfaction is very important to Toyota. If you have other concerns with your vehicle, we request that you work with your Toyota dealer and/or the Toyota Customer Experience Center at 1-888-270-9371 Monday through Friday, 5:00 am to 6:00 pm, or Saturday 7:00 am through 4:00 pm Pacific Time.

**C0V - Certain 2001 through 2004 Model Year Toyota Tacoma Vehicles  
Excessive Corrosion of the Spare Tire Carrier Lift Plate  
SAFETY RECALL NOTICE (Remedy Available)**

[VIN]

**URGENT SAFETY RECALL**

This is an important Safety Recall.  
The remedy will be performed at  
**NO CHARGE** to you.

Dear Toyota Customer:

This notice is being sent to you in accordance with the requirements of the National Traffic and Motor Vehicle Safety Act. Toyota has decided that a defect, which relates to motor vehicle safety, exists in certain 2001 through 2004 Model Year Tacoma vehicles.

**What is the condition?**

This condition affects certain 2001 through 2004 model year Tacoma vehicles originally sold in or currently registered in cold climate areas with high road salt use (Cold Climate States). The spare tire is stored underneath the rear bed of the vehicle and is suspended from the spare tire carrier on a metal lift plate. Under certain environmental and usage conditions, the lift plate could corrode. In limited cases, corrosion of the plate over time could cause it to break, which could result in detachment of the spare tire from the vehicle. Detachment of the spare tire could increase the risk of a vehicle crash.

**What will Toyota do?**

**The remedy for your vehicle is now available.** Any authorized Toyota dealer will visually inspect the condition of the spare tire carrier lift plate. Based on the results of the inspection, if significant corrosion is found, the spare tire carrier will be replaced at **no charge** to you.

As an additional measure of confidence, Toyota will also perform a functional test of the spare tire carrier to ensure proper operation. The functional test will also be performed at **no charge** to you.

**What should you do?**

***This is an important Safety Recall***

**Please contact any authorized Toyota dealer and make an appointment to have the spare tire carrier lift plate inspected and, if necessary, replaced.** The inspection of the spare tire carrier and its lift plate will take approximately 10 minutes. If the dealer determines the spare tire carrier requires replacement, the repair will take approximately 40 minutes. However, depending upon the dealer's work schedule, it may be necessary to make your vehicle available for a longer period of time.

This Safety Recall involves customers whose vehicles were originally sold in and/or currently registered in the following 20 Cold Climate States and the District of Columbia which have high road salt usage.

**CT, DE, IL, IN, KY, MA, MD, ME, MI, MN, NH, NJ, NY, OH, PA, RI, VA, VT, WI & WV**

You do not need an owner letter to have this recall completed; however, to assist the dealer in confirming vehicle eligibility, we request that you present this notice at the time of your service appointment.

If you would like to update your vehicle ownership or contact information, you may do so by registering at [www.toyota.com/ownersupdate](http://www.toyota.com/ownersupdate). You will need your full 17-digit Vehicle Identification Number (VIN) to input the new information.

If you have moved to another state, but would like to have your vehicle inspected, please contact your local Toyota dealer for assistance.

**What if you have other questions?**

- ***Your local Toyota dealer will be more than happy to answer any of your questions and set up an appointment to perform the repair.***
- You can find additional information and locate a Toyota dealer in your area by going online and visiting [www.toyota.com/recall](http://www.toyota.com/recall).
- If you require further assistance, you may contact the Toyota Customer Experience Center at 1-888-270-9371 Monday through Friday, 5:00 am to 6:00 pm, Saturday 7:00 am through 4:00 pm Pacific Time.

If you believe that the dealer or Toyota has failed or is unable to remedy the defect within a reasonable time, you may submit a complaint to the Administrator, National Highway Traffic Safety Administration, 1200 New Jersey Avenue S.E., Washington, D.C. 20590, or call the toll free Vehicle Safety Hot Line at 1-888-327-4236 (TTY: 1-800-424-9153), or go to <http://www.safercar.gov>.

**What if you have previously paid for repairs to your vehicle for this specific condition?**

If you have previously paid for repair to your vehicle for this specific condition prior to receiving this letter, please mail a copy of your repair order, proof-of-payment and proof-of-ownership to the following address for reimbursement consideration:

Toyota Motor Sales, U.S.A., Inc  
Toyota Customer Experience, WC 10  
19001 South Western Avenue  
Torrance, CA 90509

If you are a vehicle lessor, Federal law requires that any vehicle lessor receiving this recall notice must forward a copy of this notice to the lessee within ten days.

We have sent this notice in the interest of your continued satisfaction with our products, and we sincerely regret any inconvenience this condition may have caused you.

Thank you for driving a Toyota.

Sincerely,

TOYOTA MOTOR SALES, U.S.A., INC.

**TECHNICAL INSTRUCTIONS**

**FOR**

**SAFETY RECALL C0V PHASE 1 & 2**

**CERTAIN 2001 THROUGH 2004 MODEL YEAR TACOMA**

**CURRENTLY REGISTERED OR ORIGINALLY SOLD IN THE 20 COLD**  
**CLIMATE STATES**

**SPARE TIRE CARRIER INSPECTION/REPLACEMENT**

***UPDATED MARCH 29, 2013***

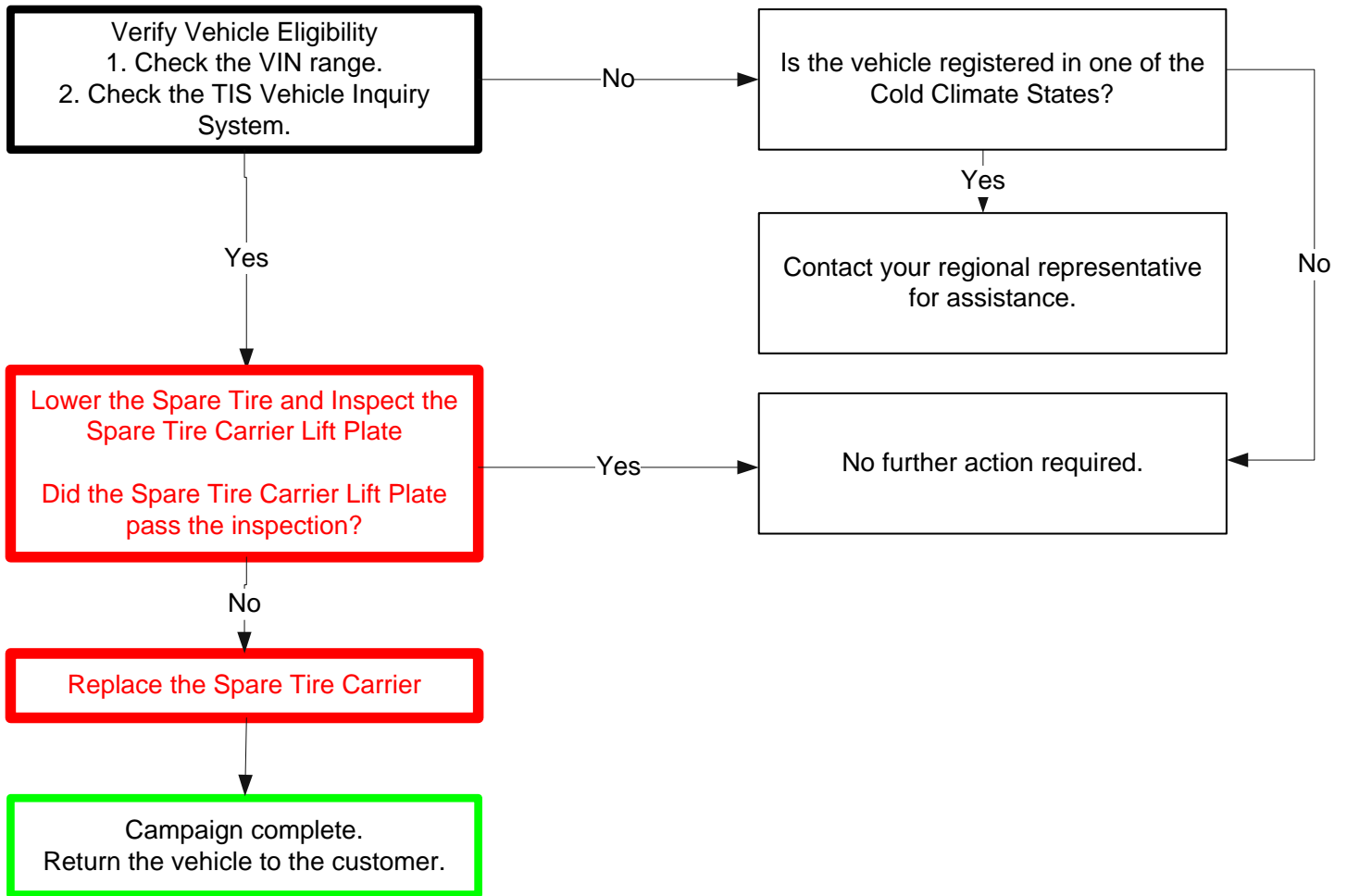
**TECHNICAL INSTRUCTION UPDATE NOTICE:**

**Updated 3/29/13**

**- The technical instructions have been updated to include Phase 2 vehicles. ([SECTION II page 3](#) and [Section III page 4](#))**

**Previous versions of these Technical Instructions should be discarded.**

# I. OPERATION FLOW CHART



## II. IDENTIFICATION OF AFFECTED VEHICLES

### A. COVERED VIN RANGE

WMI	MY	VDS	Start	Finish
5TE	2001	GM92N	Z727245	Z880431
		GN92N	Z726201	Z880433
		HN72N	Z726498	Z880444
		NL42N	Z718168	Z880440
		NM92N	Z718261	Z880427
		PM62N	Z718416	Z880351
		SM92N	Z718295	Z880439
		SN92N	Z718166	Z880436
		VL52N	Z718280	Z880441
		VN52N	Z718355	Z879914
		WM72	Z718164	Z880443
		WN72	Z718395	Z880438
	2002	GM92N	Z000001	Z145261
		GM92N	Z880738	Z899998
		GN92N	Z000190	Z145313
		GN92N	Z880448	Z899894
		HN72N	Z000002	Z145298
		HN72N	Z880635	Z899997
		NL42N	Z000006	Z145309
		NL42N	Z880445	Z899978
		NM92N	Z000233	Z145312
		NM92N	Z880684	Z899936
		PM62N	Z000022	Z145307
		PM62N	Z880594	Z899995
		SM92N	Z000245	Z145301
		SM92N	Z880594	Z899972
		SN92N	Z000012	Z145296
		SN92N	Z880783	Z899646
		VL52N	Z000013	Z145315
		VL52N	Z880530	Z899984
		VN52N	Z000017	Z133342
		VN52N	Z881078	Z898219
		WM72	Z000058	Z145294
		WM72	Z880620	Z899904
		WN72	Z000019	Z145305
		WN72	Z880446	Z899885

WMI	MY	VDS	Start	Finish
5TE	2003	GM92N	Z145585	Z305459
		GN92N	Z145318	Z305507
		HN72N	Z145460	Z305500
		NL42N	Z145319	Z305504
		NM92N	Z145535	Z305379
		PM62N	Z145471	Z305481
		SM92N	Z145555	Z305506
		SN92N	Z145622	Z305491
		VL52N	Z145395	Z305505
		VN52N	Z145797	Z304523
		WM72	Z145487	Z305493
		WN72N	Z145316	Z305501
	2004	GM92N	Z305895	Z466734
		GN92N	Z305509	Z466774
		HN72N	Z305686	Z466778
		NL42N	Z305510	Z466783
		NM92N	Z305853	Z466785
		PM62N	Z305763	Z466764
		SM92N	Z305863	Z466748
		SN92N	Z305944	Z466746
		VL52N	Z305639	Z466782
		VN52N	Z306177	Z454172
		WM72	Z305789	Z466757
		WN72N	Z305508	Z466784

#### NOTE:

- Check the TIS Vehicle Inquiry System to confirm the VIN is involved in this Safety Recall Campaign, and that the campaign has not already been completed prior to dealer shipment or by another dealer.
- TMS warranty will not reimburse dealers for repairs conducted on vehicles that are not affected or were completed by another dealer.

### III. PREPARATION

#### A. PARTS

Part Number	Part Description	Quantity
04002-11104	Spare Tire Carrier Kit (2WD Non PreRunner)	1
04002-11204	Spare Tire Carrier Kit (4WD and PreRunner)	1
90080-11180	Bolt w/Washer	4

#### B. TOOLS & EQUIPMENT

- Standard Hand Tools
- Torque Wrench
- Screw Jacks

#### **SPECIAL EQUIPMENT**

##### **Spare Tire Carrier Wrench**

- Offset Wrench which will allow you to torque the spare tire carrier bolts to spec.
  - See section VI.C.1 “Spare Tire Carrier Replacement” for details.



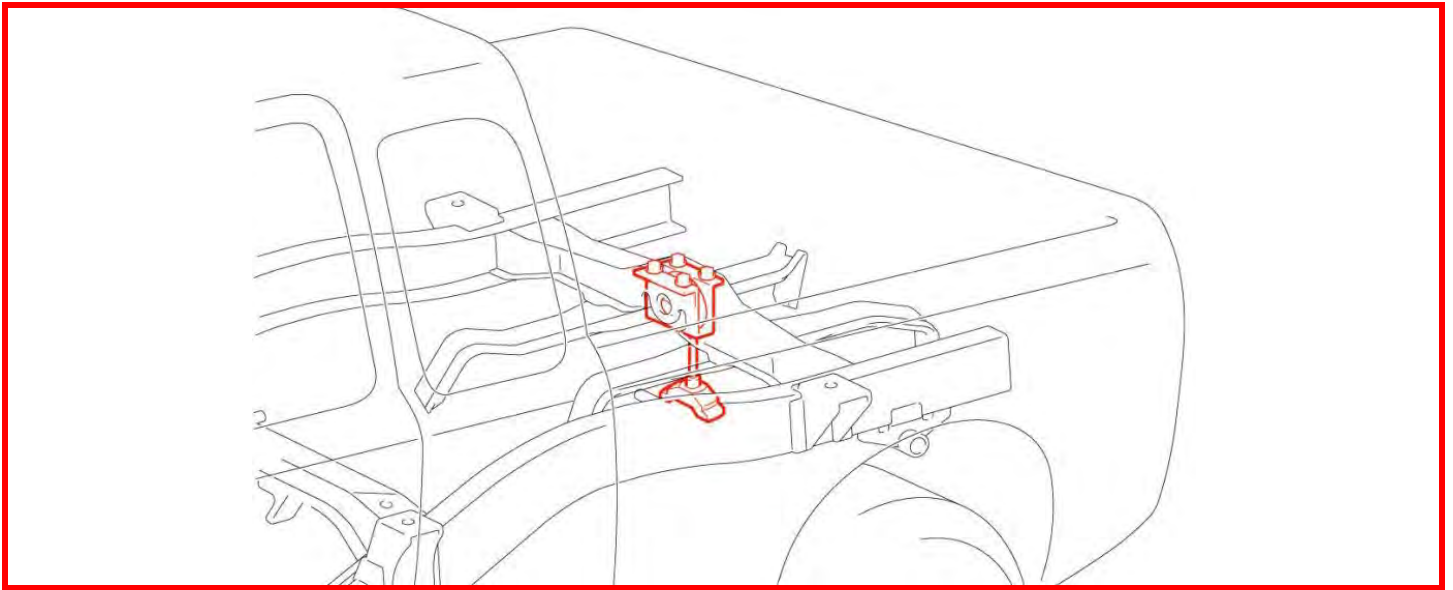
**Note: Previously provided in the Dealer’s Service Manager Packet for Campaign C0D.**

#### C. MATERIALS

- Shop Cloth
- Wood Pieces (30mm Thick)

### IV. BACKGROUND

This condition affects certain 2001 through 2004 model year Tacoma vehicles originally sold in or currently registered in cold climate areas with high road salt use (Cold Climate States). The spare tire is stored underneath the rear bed of the vehicle and is suspended from the spare tire carrier on a metal lift plate. Under certain environmental and usage conditions, the lift plate could corrode. In limited cases, corrosion of the plate over time could cause it to break, which could result in detachment of the spare tire from the vehicle. Detachment of the spare tire could increase the risk of a vehicle crash.

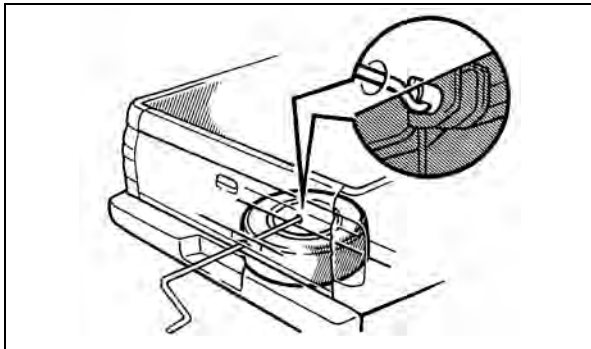


## V. SPARE TIRE CARRIER INSPECTION WORK PROCEDURE

### A. INSPECT THE SPARE TIRE CARRIER



Perform the Spare Tire Carrier Inspection with the vehicle on the ground to ensure that the spare tire will not fall due to lift plate corrosion.



#### 1. PERFORM FUNCTIONAL CHECK OF THE SPARE TIRE CARRIER

- a) With the vehicle on the ground, lower and raise the spare tire carrier utilizing the tools provided with the vehicle and ensure it is operating properly.

**Note:** Do not operate the spare tire carrier with an impact gun because damage will occur to the spare tire carrier.

- b) Completely lower the spare tire and remove it from the spare tire lift plate.

#### 2. VISUALLY INSPECT THE SPARE TIRE CARRIER LIFT PLATE

Does the top and bottom of the spare tire carrier lift plate have obvious corrosion?

No

Minimal Rust Corrosion



No

**CONTINUE INSPECTION  
ON THE NEXT PAGE**

YES

Obvious Rust Corrosion

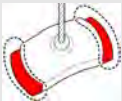




# VISUALLY INSPECT THE SPARE TIRE CARRIER LIFT PLATE (Continued)

**CONTINUE INSPECTION**

Does the spare tire lift plate wheel contact area (Red) have rust corrosion holes or deterioration?



No

Rust, but no Holes/Deterioration



No

Does the bottom edge of the spare tire lift plate have rust/corrosion around the entire perimeter?



No

Rust/Corrosion does not reside on the entire perimeter of the bottom edge



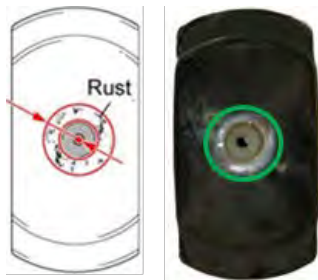
No

Does the top center of the spare tire lift plate (side facing the bed) contain 80% rust/corrosion in the center Area (40mm Diameter)?



No

Contains less than 80% Rust in Center Area



No

Inspection Complete  
Reinstall Spare Tire and Return to Customer

YES

Rust Holes/Rust Deterioration



YES

Rust Corrosion Around Entire Edge



YES

80% Rust Corrosion in Center Area

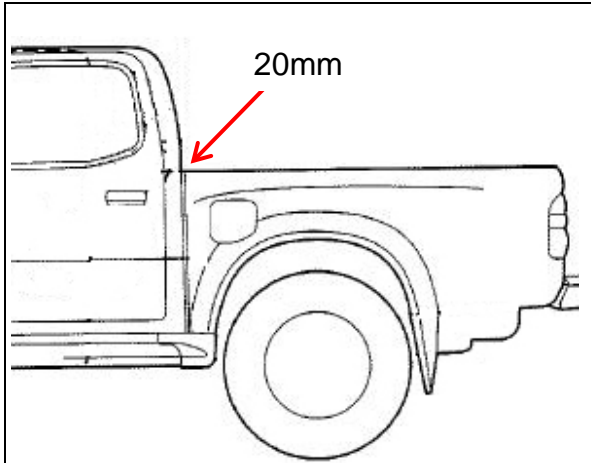


**REPLACE THE SPARE TIRE CARRIER**

PROCEED TO SPARE TIRE CARRIER REPLACEMENT (Section VI)

## VI. SPARE TIRE CARRIER REPLACEMENT PROCEDURE

### B. VEHICLE PREPARATION



#### 1. INSPECT THE BED ASSY

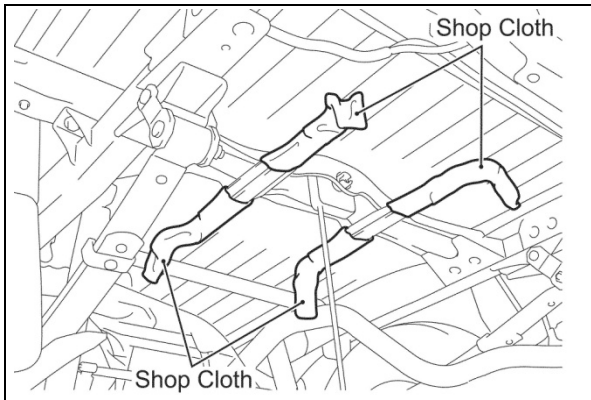
- a) Confirm the bed has had all heavy loads removed.
- b) Inspect that there is adequate clearance (20mm) between the cab, bed, and any mounted accessories.



#### 2. PROTECT THE BED AND CAB ASSY

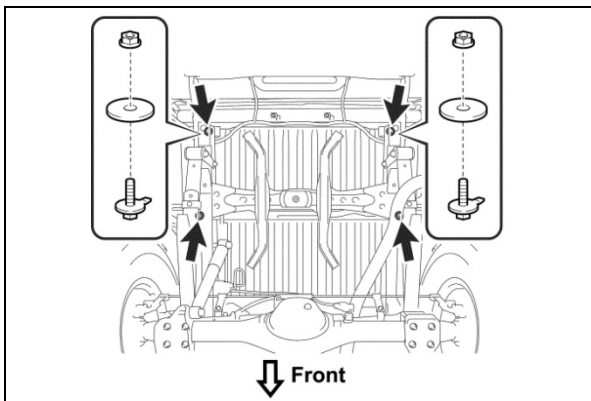
- a) Place a blanket or pair of fender covers between the cab and bed assy to protect the paint.

### C. SPARE TIRE CARRIER REMOVAL



#### 1. COVER THE SPARE TIRE STOPPERS (IF EQUIPPED)

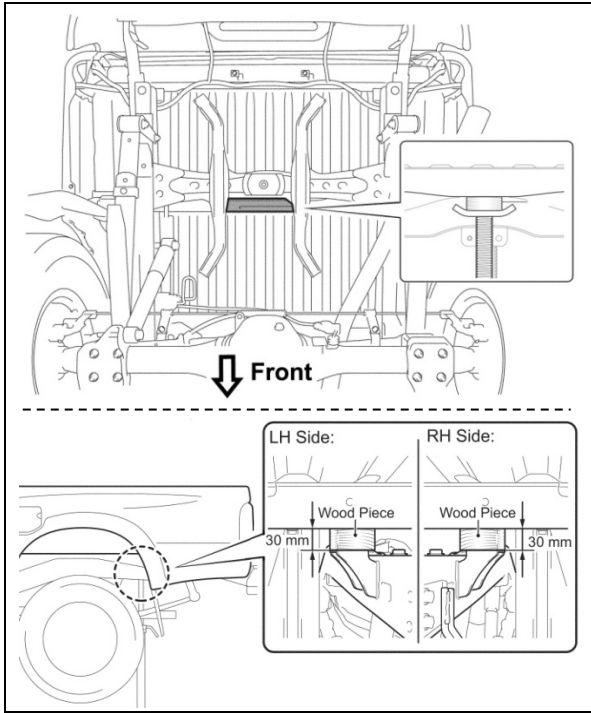
- a) Place the vehicle on a lift and raise the vehicle
- b) Wrap the spare tire carrier stoppers with shop clothes to prevent injury.



#### 2. MAKE SPACE FOR THE REMOVAL/INSTALLATION OF THE SPARE TIRE CARRIER BOLTS

- a) Remove the 2 bolts, 2 nuts, and 2 washers located on the rearward portion of the bed.

**Note:** it is not necessary to remove the 2 bolts located at the front of the bed.



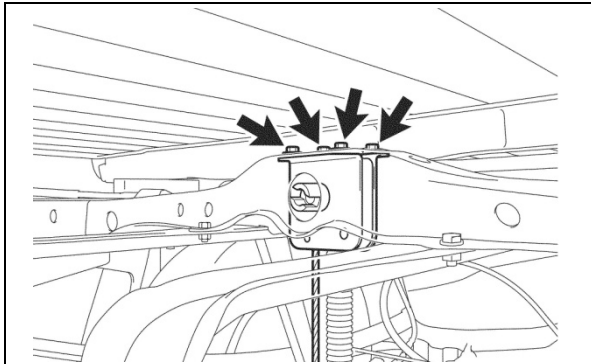
### 3. LIFT THE BED ASSEMBLY

- a) Using a screw jack and a wood block as an intermediary lift the bed carefully by approximately 30mm.

- b) After lifting, place 30mm wood blocks under the left and right middle bed mount/bracket locations as shown.

**Note:**

- Be careful not to have your finger pinched.
- Ensure not to pinch the wire harness with the wood/shims.
- Do not lift the bed assy too high; otherwise damage could occur to the wire harness, cab, or bed assy.



### 4. REMOVE THE SPARE TIRE CARRIER

- a) Remove the 4 bolts holding the spare tire carrier.

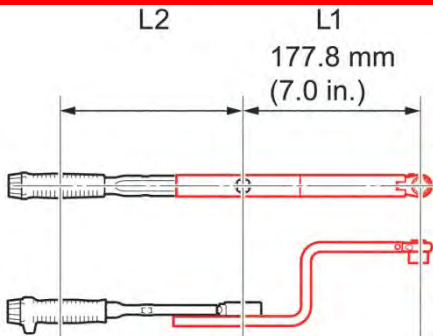
**Note:** Do not use the spare tire carrier wrench for removal.

## D. INSTALL THE SPARE TIRE CARRIER

### 1. DETERMINE THE CALCULATED TORQUE FOR USING THE SPARE TIRE CARRIER WRENCH



- The calculated torque (C) is the value at which the torque wrench **MUST** be set.
- To determine the calculated torque, **READ**, and **CLOSELY** follow the steps below.



- a) Measure the length of the torque wrench from the center of the drive to the middle of the handle as shown in the illustration.
- b) Determine the calculated torque (C) value to set the torque wrench to by referencing the table below.

Torque Wrench (L2) Length (in.)	Calculated Torque (ft·lbf)
10"	9
11" to 14"	10
15" to 19"	11
20"	12

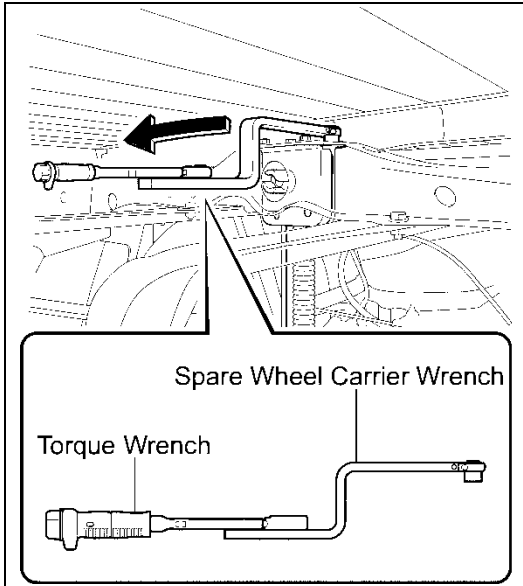
**NOTE:** The Spare Tire Carrier Wrench provided **MUST** be used when using the values in the table.

**Connect the torque wrench to the Spare Tire Carrier Wrench so that they form a straight line when tightening.**

**Calculated Torque Formula:**

If the spare tire carrier wrench is not available, use the formula below.

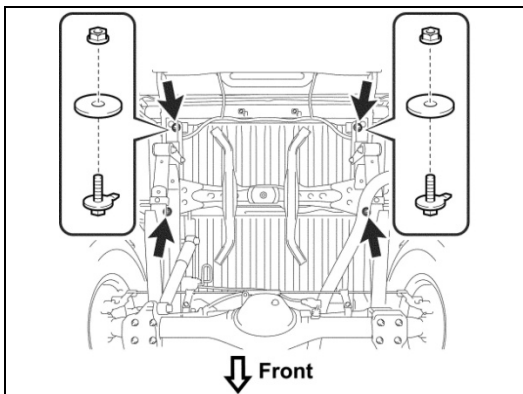
$$C = (15 \text{ ft. lb.}) \times L2 / (L1 + L2)$$



## 2. INSTALL THE SPARE TIRE CARRIER

- a) Install the NEW spare tire carrier with the 4 NEW bolts.
- b) Using the spare tire carrier wrench, torque the 4 bolts evenly in several increments.

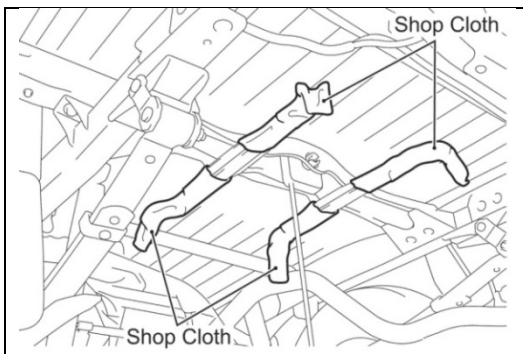
**Torque Spec: 15 ft-lbf (20 N·m, 204 kgf-cm)**



## 3. REINSTALL THE BED ASSEMBLY

- a) Remove the wood/shims and lower the bed assembly back onto the frame.
- b) Install the 2 bolts, 2 washers and 2 nuts.

**Torque Spec: 77lbf (105Nm, 1071 kgf)**



## 4. REMOVE THE PROTECTORS FROM THE SPARE TIRE CARRIER STOPPER

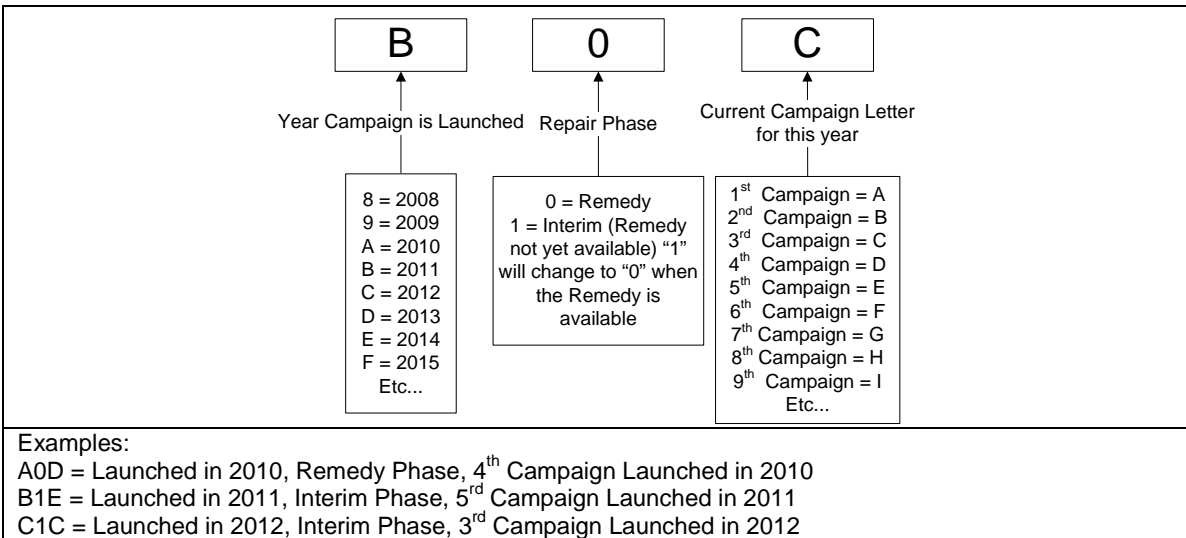
## 5. REINSTALL THE SPARE TIRE

### ◀ VERIFY REPAIR QUALITY ▶

- Confirm that all steps of the spare tire carrier lift plate inspection was performed properly
  - Confirm that the bed raising procedure was performed properly
  - Confirm that the spare tire is properly secured before returning the vehicle
- If you have any questions regarding this recall, please contact your regional representative

## VII. APPENDIX

### A. CAMPAIGN DESIGNATION DECODER



### B. RECALL PARTS DISPOSAL

As required by Federal Regulations, please make sure all recalled parts (original parts) removed from the vehicle are disposed of in a manner in which they will not be reused, ***unless requested for parts recovery return.***

Wayne Hutchinson / TMS Toyota Customer Services  
Product Quality and Service Support, Quality Compliance  
March 29, 2013  
Approved By: Bob Waltz

To: All Toyota Dealers  
From: Product Support Division

**Safety Recall C0V – *Remedy Notification* Phase 2 [4WD & PreRunner]  
2001 through 2004 Model Year Tacoma Vehicles  
Originally sold in and/or currently registered in the Cold Climate States  
Excessive Corrosion of the Spare Tire Carrier Lift Plate  
\*\*\*\*\*URGENT\*\*\*\*\***

As previously announced, in November, 2012, Toyota filed a Defect Information Report (DIR) with the National Highway Traffic Safety Administration (NHTSA) informing the agency of our intent to conduct a voluntary Safety Recall on 2001 through 2004 model year Tacoma vehicles originally sold in/or currently registered in the following states and the District of Colombia (“Cold Climate States”):

**CT, DE, IL, IN, KY, MA, MD, ME, MI, MN, NH, NJ, NY, OH, PA, RI, VA, VT, WI, and WV**

- ***We are pleased to announce that Phase 2 (covering PreRunner and 4WD vehicles) is now being launched.***
- A Dealer Letter containing additional information (i.e. Technical Instructions, reimbursement procedures, parts ordering information, etc.) has been posted on TIS.
- ***Please refer to TIS for vehicle applicability and additional information.***

**Owner Notification**

Phase	Vehicle’s included in Phase	Tentative Owner Mailing Schedule
Phase 1	2WD Tacoma Vehicles	2/14/2013 – 3/14/2013
Phase 2*	PreRunner Tacoma Vehicles	Beginning in Early April 2013
	4WD Tacoma Vehicles	

**Customer and Media Contacts**

- A Q&A has been attached for your use in the event you receive a customer contact. If a customer has further questions, please direct the inquiry to the Toyota Customer Experience Center at 1-800-331-4331.
- If you are a dealership associate and have any questions, please contact your District Service/Parts Manager.
- ***In the event you are contacted by the News media***, it is imperative that all media contacts (local and national) receive a consistent message. Please direct all media contacts to Brian Lyons (310) 468-2552, in Toyota Corporate Communications. (Please do not provide these numbers to customers or call if you are a dealer associate. Please provide these contacts to only media associates.)



**Safety Recall C0V – Remedy Notice**  
**2001 through 2004 Model Year Toyota Tacoma Vehicles**  
**Originally Sold In and/or Currently Registered in Specific 20 Cold Climate States**  
**Excessive Corrosion of the Spare Tire Carrier Lift Plate**

**Frequently Asked Questions**

Published Late March, 2013

We at Toyota care greatly about your safety; we are providing the following information to keep you informed of the recall details.

**Q1: What is the condition?**

A1: This condition affects certain 2001 through 2004 model year Tacoma vehicles originally sold in or currently registered in cold climate areas with high road salt use (Cold Climate States – see Q3 for a list of states covered under this campaign). The spare tire is stored underneath the rear bed of the vehicle and is suspended from the spare tire carrier on a metal lift plate. Under certain environmental and usage conditions, the lift plate could corrode. In limited cases, corrosion of the plate over time could cause it to break, which could result in detachment of the spare tire from the vehicle. Detachment of the spare tire could increase the risk of a vehicle crash.

**Q2: What is the cause of this condition?**

A2: During the manufacture of the lift plate of the spare tire carrier, the plate may not have been sufficiently coated with phosphate. This combined with prolonged exposure to road salts and other environmental factors, could contribute to the development of more than normal rust in the lift plate of some vehicles. This condition is unrelated to, and separate from, normal surface rust which is commonly found on metallic surfaces after some years of usage and/or exposure to the environment.

**Q3: What are the “Cold Climate States” with high road salt usage covered by this Recall Campaign?**

A3: The following states and the District of Columbia are referred to as the “Cold Climate States”:

**CT, DE, IL, IN, KY, MA, MD, ME, MI, MN, NH, NJ, NY, OH, PA, RI, VA, VT, WI, and WV**

**Q3a: Why are some states contiguous to the Cold Climate States not included?**

A3a: Only portions of the listed states above have the cold climate and high road salt usage which can cause this condition. To simplify the administration of this recall campaign and avoid confusion, Toyota has elected to include the entire state rather than a portion.

**Q4: What is Toyota going to do?**

A4: The remedy portion for this Safety Recall will be separated into two phases. The table below outlines the details for the two different phases.

Phase	Vehicle's included in Phase	Owner Mailing Schedule
Phase 1	2WD Tacoma Vehicles	Mid-February 2013 through Mid-March 2013
Phase 2	PreRunner Tacoma Vehicles	Beginning in Early April 2013
	4WD Tacoma Vehicles	

*Owner Letters will be mailed out by first class mail.*

Any authorized Toyota dealer will visually inspect the condition of the spare tire carrier lift plate. Based on the results of the inspection\*, if significant corrosion is found, the spare tire carrier will be replaced at **no charge** to you.

As an additional measure of confidence, Toyota will also perform a functional test of the spare tire carrier to ensure proper operation. The functional test will also be performed at **no charge** to you.

\*Based upon Toyota's inspection criteria. For additional information, please contact a Toyota Dealer.

**Q5: Which and how many vehicles are covered by this Recall Campaign?**

A5: There are approximately 166,000 Tacoma (2001 - 2004 model year) vehicles originally sold in and/or currently registered in the Cold Climate States.

Toyota will conduct the remedy portion of this campaign in two phases.

Phase	Vehicle's included in Phase	Production Period	Approximate UIO
Phase 1	2WD Tacoma Vehicles	Late Aug. 2000 to Late Aug. 2004	UIO = 30,000
Phase 2	PreRunner Tacoma Vehicles		UIO = 21,000
	4WD Tacoma Vehicles		UIO = 115,000

**Q6: Why is Toyota not launching this Safety Recall in the remaining 30 states?**

A6: Continued prolonged exposure to road salts and other severe cold climate environmental factors are critical contributors to the development of excessive corrosion of the Spare Tire Carrier Lift Plate in some vehicles. Therefore, vehicles in non-covered states are unlikely to experience excessive corrosion of the spare tire carrier lift plate.

**Q7: What should I do if I experience this condition or have immediate concerns about my vehicles?**

A7: If you have immediate concerns about this issue, please contact your local Toyota dealer for diagnosis and, if appropriate, repair.

**Q7a: How does Toyota obtain my mailing information?**

A7a: Toyota uses an industry provider who works with each state Department of Motor Vehicles (DMV) to receive registration or title information. Please make sure your registration or title information is correct.

**Q7b: Do I need my owner letter to have the remedy performed?**

A7b: You do not need an owner letter to have this recall completed; however, to assist the dealer in confirming vehicle eligibility, we request that you present the owner notification at the time of your service appointment.

**Q8: Are there any other Toyota or Lexus vehicles covered?**

A8: There are no other Toyota or Lexus vehicle covered by this campaign.



**Q9: How long will the repair take?**

A9: The inspection of the spare tire carrier and its lift plate will take approximately 10 minutes. Based upon the results of the inspection if the spare tire carrier requires replacement, the repair will take approximately 40 minutes. However, depending upon the dealer's work schedule, it may be necessary to make the vehicle available for a longer period of time.

**Q10: What if I have previously paid for repairs related to this Recall Campaign?**

A10: Reimbursement consideration instructions will be provided in your Remedy Owner Letter.

**Q11: What if I have other concerns with my vehicle?**

A11: Customer satisfaction is very important to Toyota. If you have other concerns with your vehicle, we request that you work with your Toyota dealer and/or the Toyota Customer Experience Center at 1-888-270-9371 Monday through Friday, 5:00 am to 6:00 pm, or Saturday 7:00 am through 4:00 pm Pacific Time.