



PREVOST

ENREGISTRÉ - REGISTERED
ISO 9001 & ISO 14001

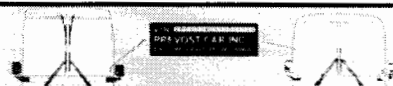
SAFETY RECALL

SR12-16



DATE : JUNE 2012	SECTION : 03-FUEL
SUBJECT : ACCELERATOR PEDAL THROTTLE POSITION SENSOR REPLACEMENT	

APPLICATION

Model	VIN	
H3-45 Coaches Model Year : 2007 - 2011	2PCH334907C 2PCH334988C 2PCH33498AC 2PCH334989C 2PCH334939C 2PCH334979C 2PCH334979C	2PCH3349XAC 2PCH33497AC 2PCH33490AC 2PCH33499AC 2PCH33490AC 2PCH33496AC 2PCH33499BC
X3-45 Coaches Model Year : 2009 - 2011	2PCG3349X9C 2PCG33493AC	2PCG33499BC 2PCG33498AC

The owners of the vehicles affected by this recall will be advised by a letter indicating the Vehicle Identification Number (VIN) of each vehicle concerned.

DESCRIPTION

On the vehicles affected by this campaign, it is necessary to replace the accelerator pedal throttle position sensor as explained in the following procedure. This replacement is necessary only for vehicles equipped with Volvo D13 engine.

FAILURE CAUSE: Voltage applied by Volvo engine ECU exceeds the sensor capacity. Do not keep the throttle position sensor for later use as a sudden failure is very likely to happen.

FAILURE CONSEQUENCE: Faulty throttle position sensor causes the accelerator pedal to be inoperative due to a permanent idle signal. This leads to a vehicle breakdown with no response from the accelerator pedal.

MATERIAL

Order the following part:

Part No.	Description	Qty
568084	Sensor, accelerator pedal throttle position	1

NOTE

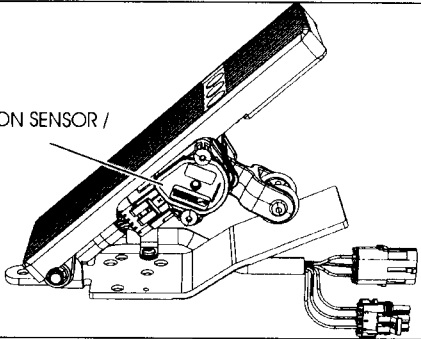
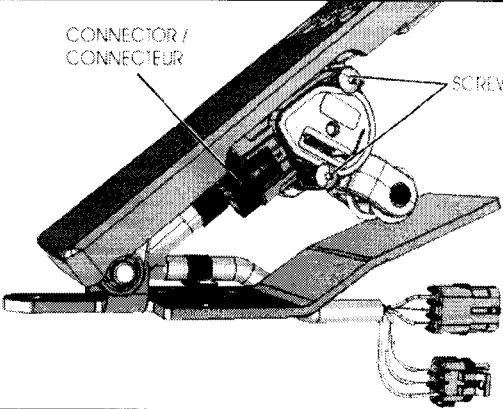

Material can be obtained through regular channels.

PROCEDURE

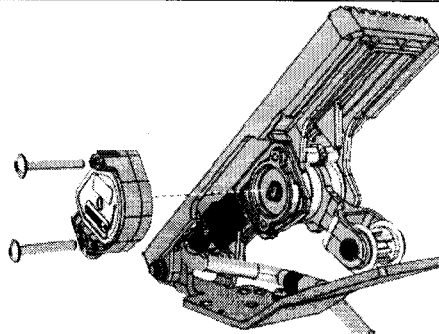


DANGER

Park vehicle safely, apply parking brake, stop engine and set battery master switch(es) to the OFF position prior to working on the vehicle.

<p>1. Locate accelerator pedal throttle position sensor on the accelerator pedal assembly.</p>	 <p>THROTTLE POSITION SENSOR / POTENTIOMÈTRE</p>
<p>2. Disconnect harness from sensor. 3. Unscrew sensor fasteners (2) and remove throttle position sensor. Return sensor to Prevost for reimbursement.</p>	 <p>CONNECTOR / CONNECTEUR</p> <p>SCREWS / VIS</p>
<p>4. Make sure the rotary piece at the center of the new throttle position piece is completely turned counterclockwise prior installation, if not, stationary regenerations might be impossible to initiate.</p>	

5. Position new throttle position sensor on pedal assembly, secure with screws provided in the kit (torque to 25 lb-in).
6. Connect wiring harness to throttle position sensor. Secure wiring harness as originally routed.
7. Start the engine. With the parking brake applied and transmission in neutral position (N), test the accelerator pedal for proper functioning.



WARRANTY

This modification is covered by Prevost's normal warranty. We will reimburse you the parts and 1/4 hour (0.25) of labor upon receipt of the replaced throttle position sensor and a completed A.F.A. form on which you must specify as per "Safety Recall SR12-16".

Parts / Waste disposal:

Return replaced parts to Prevost with A.F.A. for full reimbursement.

Please, identify the returned part with Prevost part number 531402.

OTHER

VBC Bulletin	N-A
Fail Code	03-08
Defect Code	9
System Condition	R
Causal Part	531402