



INSTRUCTIONS TO INSTALL CHILD ANCHORAGE HOOKS TO FIRST ROW OF SEATS BEHIND THE DRIVER

One 30 inch seat and one 39 inch seat need to be modified. The anchorages have to be fixed in different locations as shown on the diagrams below.

LIST OF MATERIAL

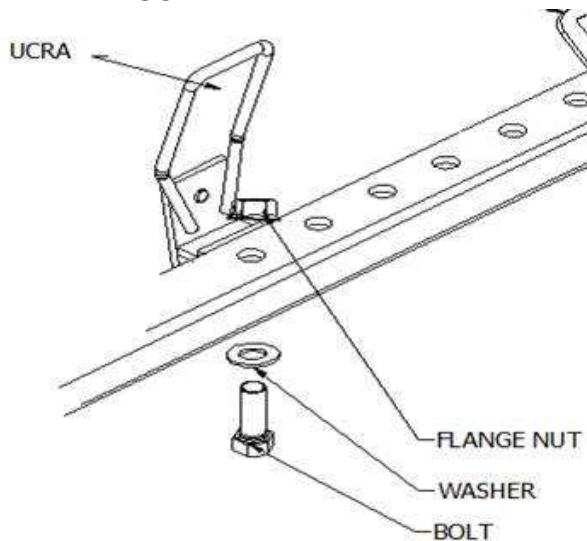
31E0053	Child anchorage (CRA) CEW	2.00 UN
81D07F100	BPHEX GR8 ZC FT 7/16-20 X 1	4.00 UN
82D07F	EHEX IND BR GR G ZC 7/16-20	4.00 UN
83A07	RPLATE USS ZC 7/16	2.00 UN

LABOUR :

.75 hour per bus will be reimbursed for this modification

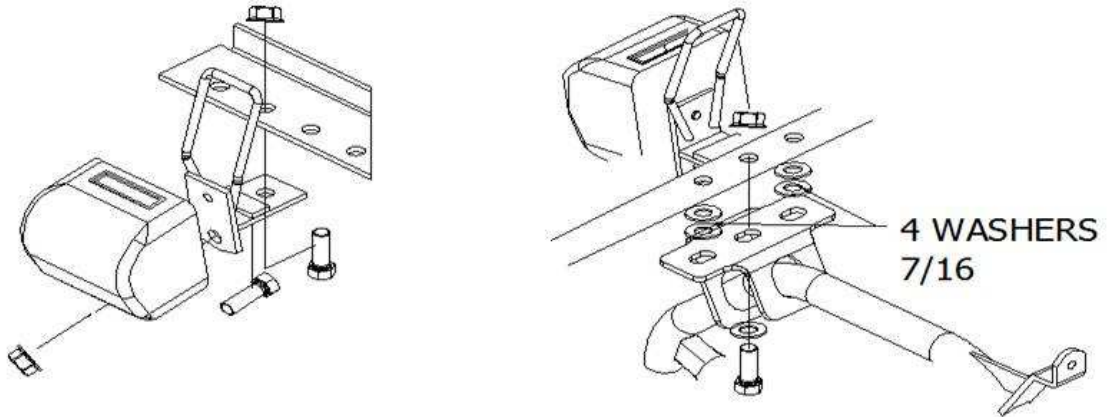
The following diagram shows how to install an anchorage when there is no leg or seat belt retractor interfering with the installation.

STANDARD UCRA



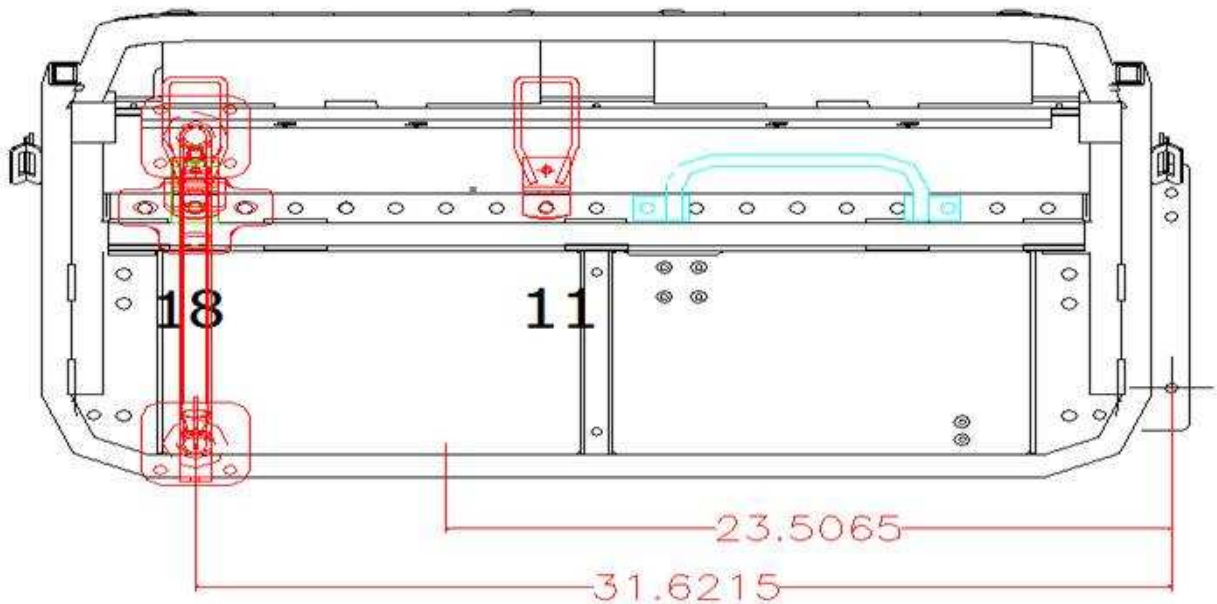
The following diagram shows how to install an anchorage when there is a seat belt retractor or a seat belt retractor and a leg interfering with the installation.

UCRA WITH RETRACTOR



The following diagram shows the location of the anchorages on both size seats.

39 INCH SEAT UCRA IN HOLE 11 AND 18 FROM THE WALL



30 INCH SEAT IN HOLE 3 AND 10 FROM THE WALL.

