



# TECHNICAL BULLETIN

No: J018  
Issue: 1  
Date: 15 JUNE 2011

SERVICE  
✓

PARTS  
✓

WARRANTY  
✓

BODY SHOP  
✓

## SECTION: 211

### Safety Recall: Power Assisted Steering Pipe Corrosion Protection

#### AFFECTED VEHICLE RANGE:

XF (X250)

VIN: R59582 - R78198  
Model Year: 2010

XK (X150)

VIN: B35327 - B38302  
Model Year: 2010

#### CONDITION SUMMARY:

**Situation:** A concern has been identified with certain 2010 model year Jaguar XF and XK vehicles within the above VIN ranges where the Power Assisted Steering (PAS) pipes have been supplied with zinc-nickel plating that does not fully meet the corrosion protection requirements of Jaguar's engineering specification. After an extended period of time in service, corrosion of the PAS pipes will occur; this may lead to pin-holing of the pipe. Pin-holing of PAS pipes could allow pressurized PAS fluid to leak into the underhood and engine bay area. Loss of PAS fluid will cause PAS system noise and loss of power assisted steering; steering control is fully maintained in an unassisted state. It is also possible that the PAS fluid may ignite if it comes into contact with an ignition source or a surface of sufficiently high enough temperature.

**Action:** Dealers are required to **HOLD** all affected new vehicles in your control and withhold them from onward distribution pending completion of the rework action. Refer to the Repair Procedure outlined below to replace the affected PAS system hose(s). For vehicles in dealer inventory, this Recall action should be performed prior to completing the Pre-Delivery Inspection (PDI) and must be completed prior to vehicle handover to the customer.

Vehicles already in the hands of owners should be updated at the next available opportunity. At the time of customer appointment, ensure that all outstanding service campaigns for each individual vehicle are identified and allocate sufficient time and resources to complete all campaigns.

For Recall notification details, refer to Service Bulletins 7-65CAN and 7-65USA.

#### PARTS:

C2C41606 .....	V8 PAS Pipe - Return	XF (4.2L)	Qty: 1
C2C41604 .....	V8 PAS Pipe - Pressure	XF (4.2L)	Qty: 1
C2Z20222.....	V8 PAS Pipe - Pressure	XF (5.0L)	Qty: 1
C2D18857 .....	V8 PAS Pipe - Pressure	XK	Qty: 1
C2P10363 .....	PAS Fluid - 1L		Qty: 2

#### TOOLS:

Refer to Workshop Manual for any required special tools

NOTE: The information in Technical Bulletins is intended for use by trained, professional Technicians with the knowledge, tools, and equipment required to do the job properly and safely. It informs these Technicians of conditions that may occur on some vehicles, or provides information that could assist in proper vehicle service. The procedures should not be performed by 'do-it-yourselfers'. If you are not a Dealer, do not assume that a condition described affects your vehicle. Contact an authorized Jaguar service facility to determine whether this bulletin applies to a specific vehicle.

**WARRANTY:**



**NOTE:** Always check DDW to verify that the vehicle is affected by this Recall action prior to undertaking any repair. DDW will reflect only those vehicles affected and unrepaired.



**NOTE:** Repair procedures are under constant review, and therefore times are subject to change; those quoted here must be taken as guidance only. Always refer to DDW to obtain the latest repair time.

Warranty claims should be submitted quoting Program Code 'J018' together with the relevant Option Code; this will result in payment of the stated time. As Option Codes are used, there is no requirement for you to enter parts or labor; these are repeated here for information only. The Option Codes which contain drive in / drive out allowance may only be claimed if the vehicle is brought into the workshop for this action alone to be undertaken.

PROGRAM CODE	OPTION CODE	DESCRIPTION	SRO	TIME (HOURS)	PARTS	QTY
J018	D	Replace pressure hose - XK	57.15.29	2.30	C2D18857	1
					C2P10363	2
J018	E	Replace pressure hose - XK	57.15.29	2.30	C2D18857	1
		Drive in / drive out	10.10.10	0.10	-	-
J018	D	Replace pressure hose - XF (R59633 - R79198; 5.0L)	57.15.29	1.00	C2Z20222	1
					C2P10363	2
J018	E	Replace pressure hose - XF (R59633 - R79198; 5.0L)	57.15.29	1.00	C2Z20222	1
		Drive in / drive out	10.10.10	0.10	-	-
J018	T	Replace return and pressure hoses - XF (R59582 - R68597; 4.2L)	57.15.33	1.40	C2C41606	1
					C2C41604	1
					C2P10363	2
J018	V	Replace return and pressure hoses - XF (R59582 - R68597; 4.2L)	57.15.33	1.40	C2C41606	1
					C2C41604	1
		Drive in / drive out	10.10.10	0.10	-	-
J018	W	Replace return hose - XF (R68609 - R73338; 4.2L)	57.15.24	0.60	C2C41606	1
					C2P10363	2
J018	Y	Replace return hose - XF (R68609 - R73338; 4.2L)	57.15.24	0.60	C2C41606	1
		Drive in / drive out	10.10.10	0.10	-	-

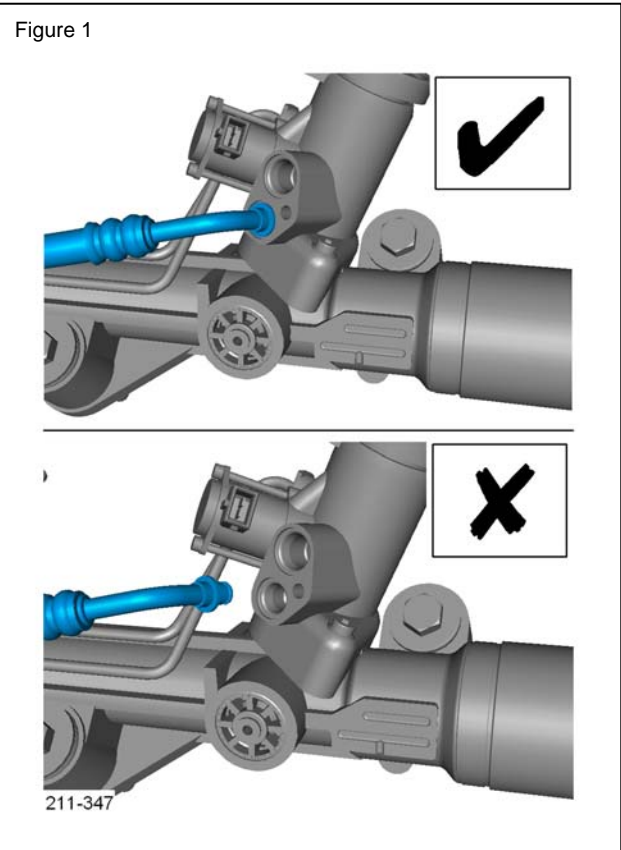
*Normal Warranty policies and procedures apply*

**REPAIR PROCEDURE**

**REPLACE PAS SYSTEM PRESSURE HOSE: XF (R59633 - R79198; 5.0L) AND XK ONLY**

**⚠ CAUTION: Do not release the return hose from the steering gear; failure to follow this instruction may result in damage to the O-ring seal. (Figure 1)**

1. Refer to Workshop Manual, section 211-02: *Power Steering*, and replace the Power Steering Pump to Steering Gear Pressure Line.



**REPLACE PAS SYSTEM PRESSURE AND RETURN HOSES: XF (R59582 - R68597; 4.2L) ONLY**

1. Refer to Workshop Manual, section 211-02: *Power Steering*, and remove the Power Steering Pump to Steering Gear Pressure Line.
2. Refer to Workshop Manual, section 211-02: *Power Steering*, and perform steps 4 - 6 of Steering Gear to Fluid Cooler Return Hose procedure to remove the hose.
3. Refer to Workshop Manual, section 211-02: *Power Steering*, and reverse steps 4 - 6 of Steering Gear to Fluid Cooler Return Hose procedure to install the hose.
4. Refer to Workshop Manual, section 211-02: *Power Steering*, and install the Power Steering Pump to Steering Gear Pressure Line.

**REPLACE PAS SYSTEM RETURN HOSE: XF (R68609 - R73338; 4.2L) ONLY**

1. Refer to Workshop Manual, section 211-02: *Power Steering*, and replace the Steering Gear to Fluid Cooler Return Hose.