

STEP 3: PREPARE THE VENTING BLOWER

ROOM-VENTED(Recirculating) INSTALLATION:

1. Remove blower unit mounting screw and blower plate screws. Remove the blower plate from cabinet. See Figure 17.
2. Carefully lift the blower unit out of the microwave oven.
3. Rotate blower unit so that the exhaust ports face the front of the cabinet. See Figure 18.
4. Place blower unit back into microwave oven.
5. Reattach blower plate to microwave oven. Attach with the blower unit mounting screw and then the blower plate mounting screws. See Figure 19.

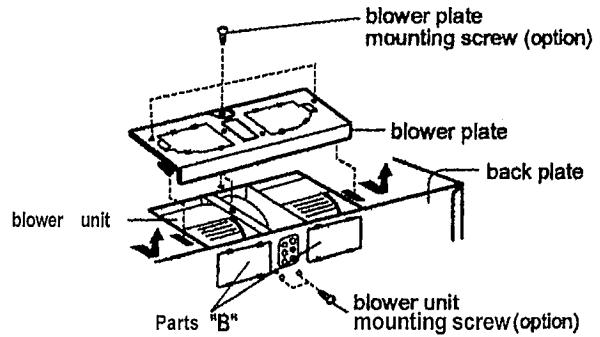


Figure 17

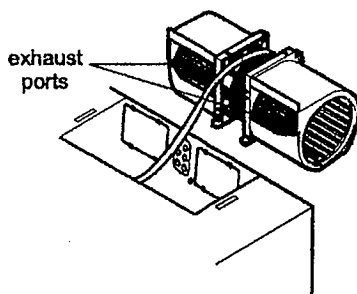


Figure 18

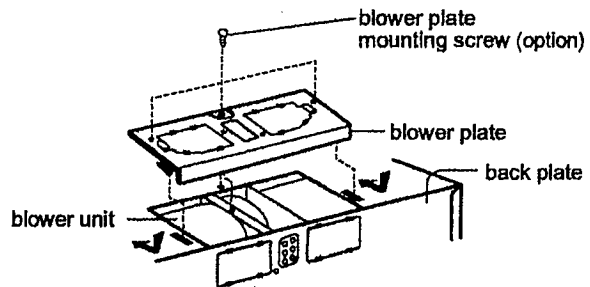


figure 19