

CERTAIN 2009-2010 MODEL YEAR F-150 VEHICLES EQUIPPED WITH AN INTERIOR CHROME DOOR HANDLE — INTERIOR DOOR HANDLE REINFORCEMENT

NEW ! OVERVIEW

Dealers are to inspect all interior door handles for the presence of return springs that have broken through their retainer walls. If the return spring has broken completely through the retainer wall, the handle assembly must be replaced. If the return spring is resting against the retainer wall, even if the wall is cracked, the handle can be serviced with the installation of a Spring Retainer Reinforcement.

NEW ! INSPECTION

1. Remove the interior door handles. For additional information, refer to WSM, Section 501-14.

NOTE: If spring break-through has occurred, the affected interior door handle must be replaced. Do not attempt to manipulate the spring to install a spring retainer reinforcement.

2. Inspect the interior door handles for cracks or spring break-through. See Figures 1 and 2.

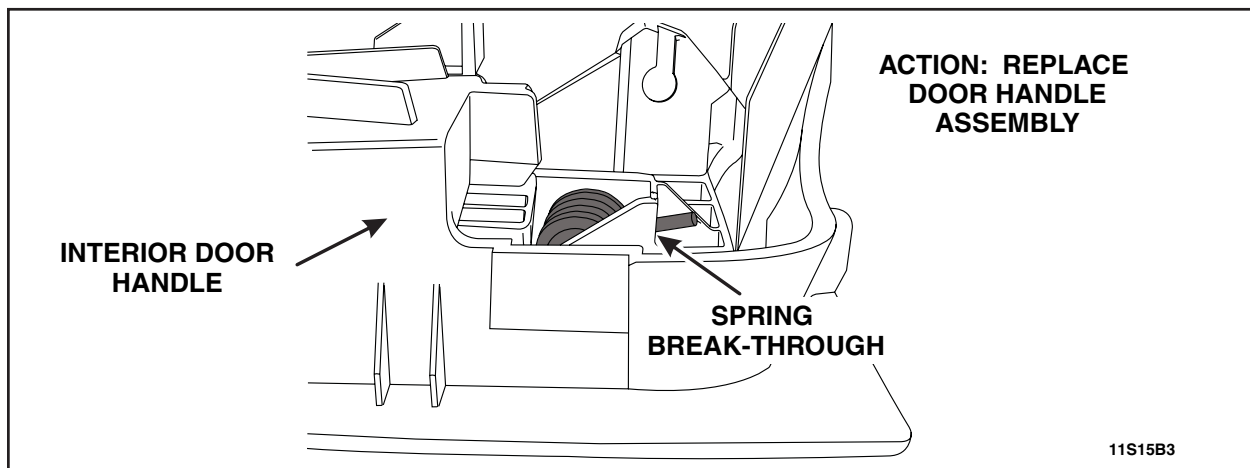


FIGURE 1

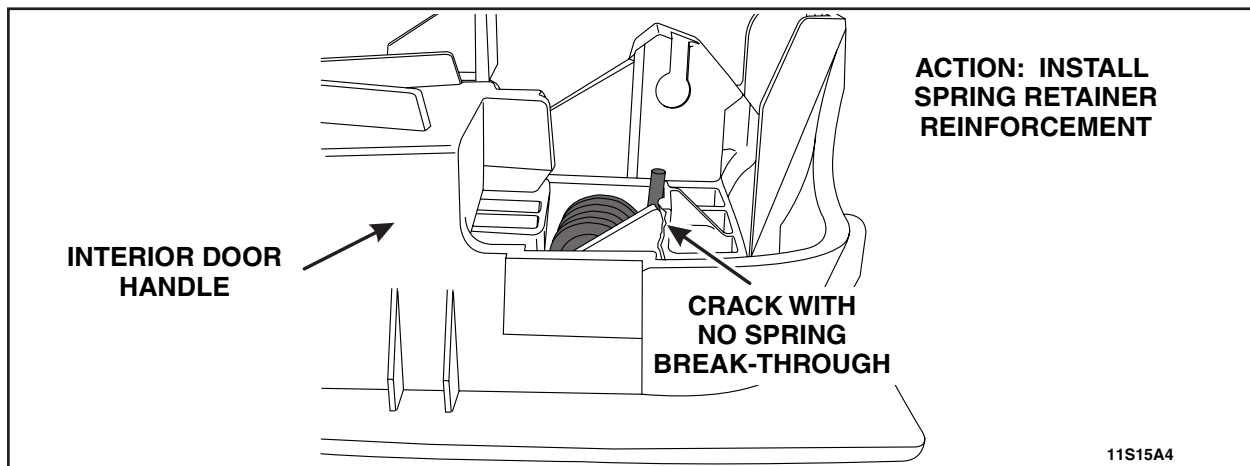


FIGURE 2



NEW! SERVICE PROCEDURE

NOTE: If an interior door handle was previously replaced, it is possible that a spring retainer reinforcement is already installed. No further action is needed on that interior door handle.

1. If any of the interior door handle(s) have cracks that have spring break-through, they must be replaced. For additional information, refer to WSM Section 501-14.
2. If any of the interior door handle(s) are not cracked or have cracks with no spring break-through, they can be repaired. Proceed to step 3.

NOTE: The reinforcement clips are LH and RH specific. See Figure 3.

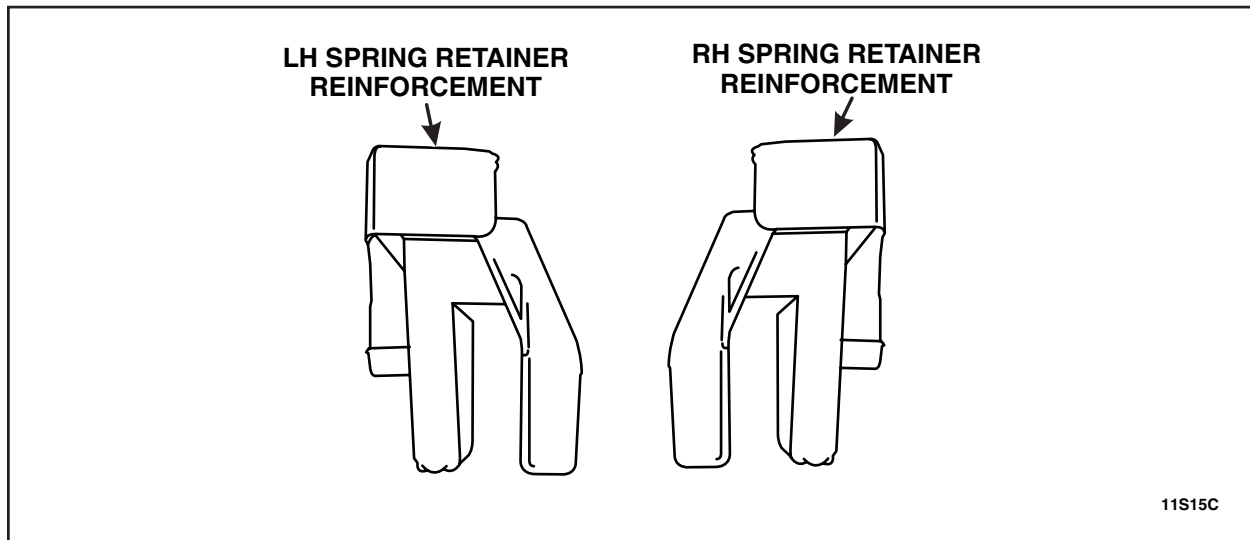


FIGURE 3



3. Install spring retainer reinforcement(s) onto the interior door handle(s) that did not have spring break through. See Figures 4 and 5.
 - Using your thumb and index finger press the spring retainer reinforcement onto the interior door handle until it clicks into place.

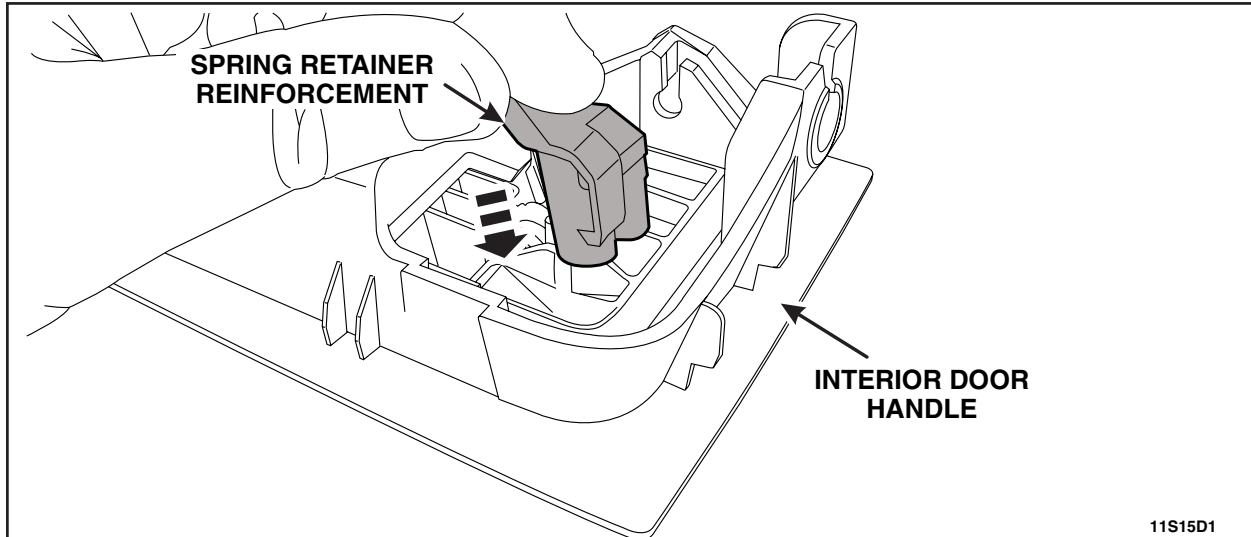


FIGURE 4

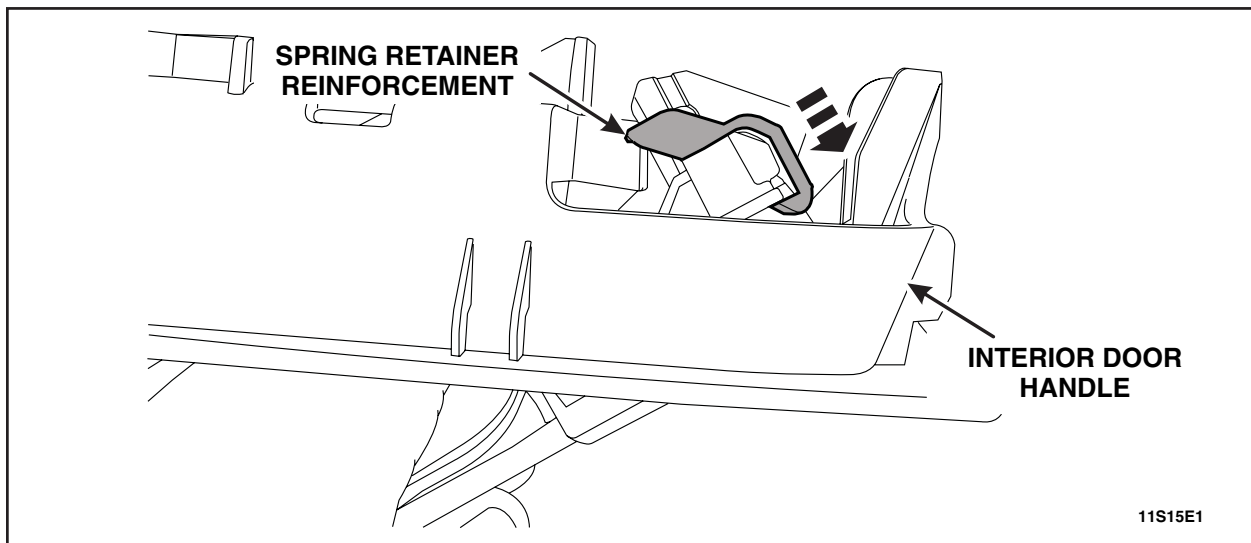


FIGURE 5

4. Pull upward on the spring retainer reinforcement(s) to verify that it is fully installed.
5. Reinstall the interior door handle(s). For additional information, refer to WSM, Section 501-14.

