

**RECEIVED**

By Recall Management Division at 3:28 pm, Aug 30, 2011

11V-447  
(19 pages)



August 23, 2011

U.S. Department of Transportation  
National Highway Traffic Safety Administration  
Office of Defects Investigation (NVS-210)  
1200 New Jersey Ave SE  
Washington, DC 20590

## Safety Defect and Noncompliance Report Guide for Equipment

### **PART 573 Defect and Noncompliance Report**

**On August 3, 2011, Multiquip, Inc decided that (a defect which relates to motor vehicle safety)(a noncompliance with Federal Motor Vehicle Safety Standard No. ) exists in items of motor vehicle equipment listed below, and is furnishing notification to the National Highway Traffic Safety Administration in accordance with 49 CFR Part 573 Defect and Noncompliance Reports.**

**Date this report was prepared: 8-22-2011**

**Furnish the manufacturer's identification code for this recall (if applicable): TL 20110803**

**1. Identify the full corporate name of the fabricating manufacturer/brand name/trademark owner of the recalled item of equipment. If the recalled item of equipment is imported, provide the name and mailing address of the designated agent as prescribed by 49 U.S.C. §30164.**

**Multiquip, Inc  
18910 Wilmington Ave  
Carson, CA 90746  
Tel: 310-537-3700**

**Contact:**

**Torsten A Erbel  
VP, Product Management, Engineering & Customer Service  
Contact Phone Number: 310-400-1306; Mobile: 951-532-3964**

**Signed:**

A handwritten signature in black ink, appearing to read 'Torsten A Erbel', written over a horizontal line.

**Torsten A Erbel**

**1. Identify the Recalled Items of Equipment**

**2. Identify the Items of Equipment Involved in this Recall, for each make and model or applicable item of equipment product line (provide illustrations or photographs as necessary to describe the item of equipment), provide:**

**Generic name of the item:**

**Make:** Multiquip Dual Axle trailer

**Model:** TRLR220XFH

**VIN Number Range:** 5SLBG1820BL006115 to 5SLBG1820BL007197

**Part Number: Size:** EE46175,

**Function:** Axle assembly, hydraulic brake

**Other information which characterizes/distinguishes the items of equipment to be recalled:**

**Make: Model:** TRLR220XFE

**Part Number: Size:** EE46176

**Function:** Axle assembly, electric brake

**Date Manufactured:** 3/1/2011 to 7/22/2011

**Identify the approximate percentage of the production of all the recalled models manufactured by your company between the inclusive dates of manufacture provided above, that the recalled model population represents. For example, if the recall involved Equipment equipped with certain items of equipment from January 1, 1996, through April 1, 1997, then what was the percentage of the recalled Equipment of all Equipment manufactured during that time period.**

**Percentage of recalled models to production:**

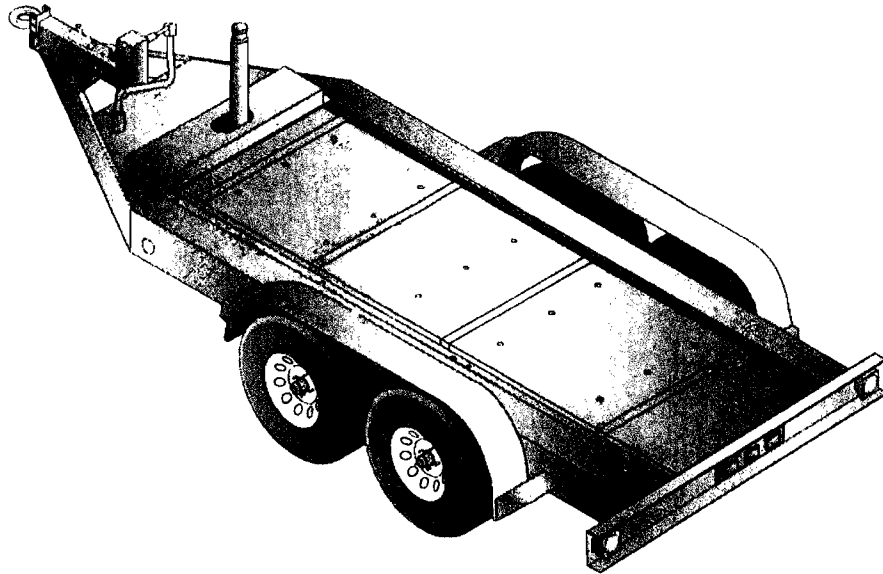
EE46175 hydraulic brake axle: 0.036%

EE46176 electric brake axle: 0.018%



# TRLR220XF

## MQ POWER Tandem Axle Trailer



TRLR220XF Technical Data	
Gross Vehicle Weight Rating (GVWR) — 13,500 lbs. (6,124 kg)	Tire Size — ST235/80R16 LR-E
Gross Axle Weight Rating (GAWR) — 7,000 lbs. /3,175 kg (ea.)	Wheel Bolt Pattern — 8 Lug
Actuator Rating — 20,000 (9.072 kg)	Tire Load Rating — 3,500 lbs/1,588 kg (ea.)
Coupler Rating — See coupler options on back page.	Dimensions (LxWxH) — See back page

### STANDARD TRAILER EQUIPMENT

- Fits MQ Power Generator Models DCA220SSJ
- Tandem-axle Design with Leaf Type Suspension
- H.D. Welded Steel Frame Construction
- Structural Channel for Generator Mounting and Support
- Integral Fuel Cell; Single-wall Steel Design; 300-gallon/1,136 liters Capacity
- Replaceable, Bolt-on Hydraulic Brake Actuator
- Surge Hydraulic-actuated Drum Brakes (all axles)
- Hydraulic Uni-servo Drum Brakes with Free-backing Plates - 12-inch Cluster
- D.O.T. Steel Brake Lines, Brass Tees and Rubber Hydraulic Brake Hoses
- 4-hole Channel Allows 3-position, Adjustable Coupler Height; 4-inches O/A
- Heavy-duty, Tongue Mounted, Drop-leg Jack (rated 10,000 lbs/4,536 kg lift)
- Replaceable, Bolt-on Steel Fenders
- High-gloss Enamel Coated Frame, Channel, Actuator and Fenders
- D.O.T. Approved Tail Lamps, Stop Lamps, Turn Signal Lamps, Side Marker Lamps
- Weatherproof, Rubber Armored, 3-piece Trailer Light Wiring Harness



# TRLR220XF

## MQ POWER Tandem Axle Trailer

### OPTIONAL TRAILER EQUIPMENT

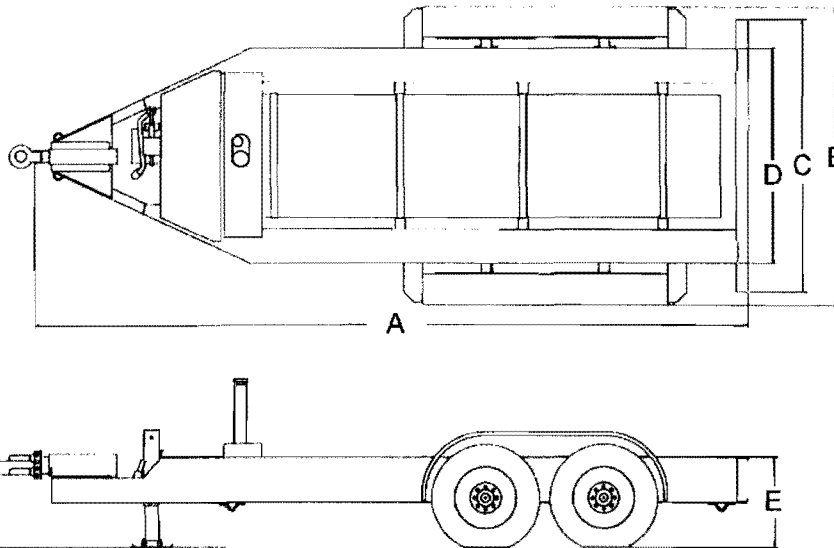
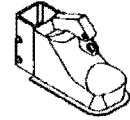
- Bolt-on Electric Brake Coupler Plate with Electric-actuated Drum Brakes (all axles)
- Electric Breakaway Safety Device (electric-actuated brakes)
- Adjustable 2 5/16-inch Ball Coupler
- Adjustable 3-inch Pintle-eye Coupler
- Rear Stabilizer Stands
- Tongue Mounted Utility Storage Box
- Anti-Theft Wheel Lock
- Spare Tire with Locking Mount

### Coupler Options

3" Pintle Eye  
20,000 lbs.  
(PRIMED)  
#EE36264



2-5/16" Ball Coupler  
14,000 lbs  
(PLATED)  
#EE43253



Trailer Dimensions

A	B	C	D	E	F	
					MIN	MAX
209 in (5,309 mm)	87.4 in (2,220 mm)	80 in (2,032 mm)	63 in (1,600 mm)	26.4 in (671 mm)	21.4 in (544 mm)	25.4 in (645 mm)

Trailer Weight

Without Fuel — 3,390 lbs. (1,539 kg)*
With Fuel — 5,520 lbs. (2,506 kg)*

\*Weight is approximate

Your Multiquip dealer is:

© COPYRIGHT 2010 MULTIQIP INC.  
TRLR220XF Rev. #4 (12/03/10)



**MULTIQIP**  
POST OFFICE BOX 6254  
CARSON, CA 90749  
310-537-3700 • 800-883-2551  
FAX: 310-604-3831  
E-MAIL: sales@multiquip.com  
WEBSITE: www.multiquip.com

## II. Identifying the Recall Population

**3. Furnish the total number of items of equipment recalled potentially containing the defect or noncompliance.**

**Number of Items 2**

**Model Year Potentially Involved : 2011**

**Total Number Potentially Affected by the Recall: 60**

**4. Furnish the approximate percentage of the total number of items of equipment estimated to actually contain the defect or noncompliance:**

**Identify and describe how the recall population was determined--in particular how the recalled models were selected and the basis for the beginning and final dates of manufacture of the recalled items of equipment:**

EE46175 hydraulic brake axle: 0.036%

EE46176 electric brake axle: 0.018%

Recall population was determined by customers who purchased selected trailer models and with guidance from vendor based on their recommendation of axle s/n produced tied to our purchase orders and product shipped to Multiquip, Inc.

Date range was determined with assistance from vendor, based on the last inspection at Multiquip's facility and product shipped since that inspection.

### **III. Describe the Defect or Noncompliance**

**5. Describe the defect or noncompliance. The description should address the nature and physical location of the defect or noncompliance. Illustrations should be provided as appropriate.**

**Defect description:** Weldment on axle hub may have insufficient weld penetration.

**Describe the cause(s) of the defect or noncompliance condition:** incorrect welding procedure

**Describe the consequence(s) of the defect or noncompliance condition:** axle hub can break away from the axle, causing the trailer suspension to collapse

**Identify any warning which can (a) precede or (b) occur.** Generally none, but cracks could appear in weldment signaling a problem. Difficult to detect to the untrained eye.

**If the defect or noncompliance is in a component or assembly purchased from a supplier, identify the supplier by corporate name and address.**

Global Direct Components LLC

21815 Beck Dr

Elkhart, IN 46516

574-522-5300

**Identify the name and title of the chief executive officer or knowledgeable representative of the supplier:**

Van Roach, General Manager

931-962-0025

[vroach@jetstartire.com](mailto:vroach@jetstartire.com)

Max Lynch

574-522-5300 Ext 102

[max@gdcnet.com](mailto:max@gdcnet.com)

Shawn Cochran

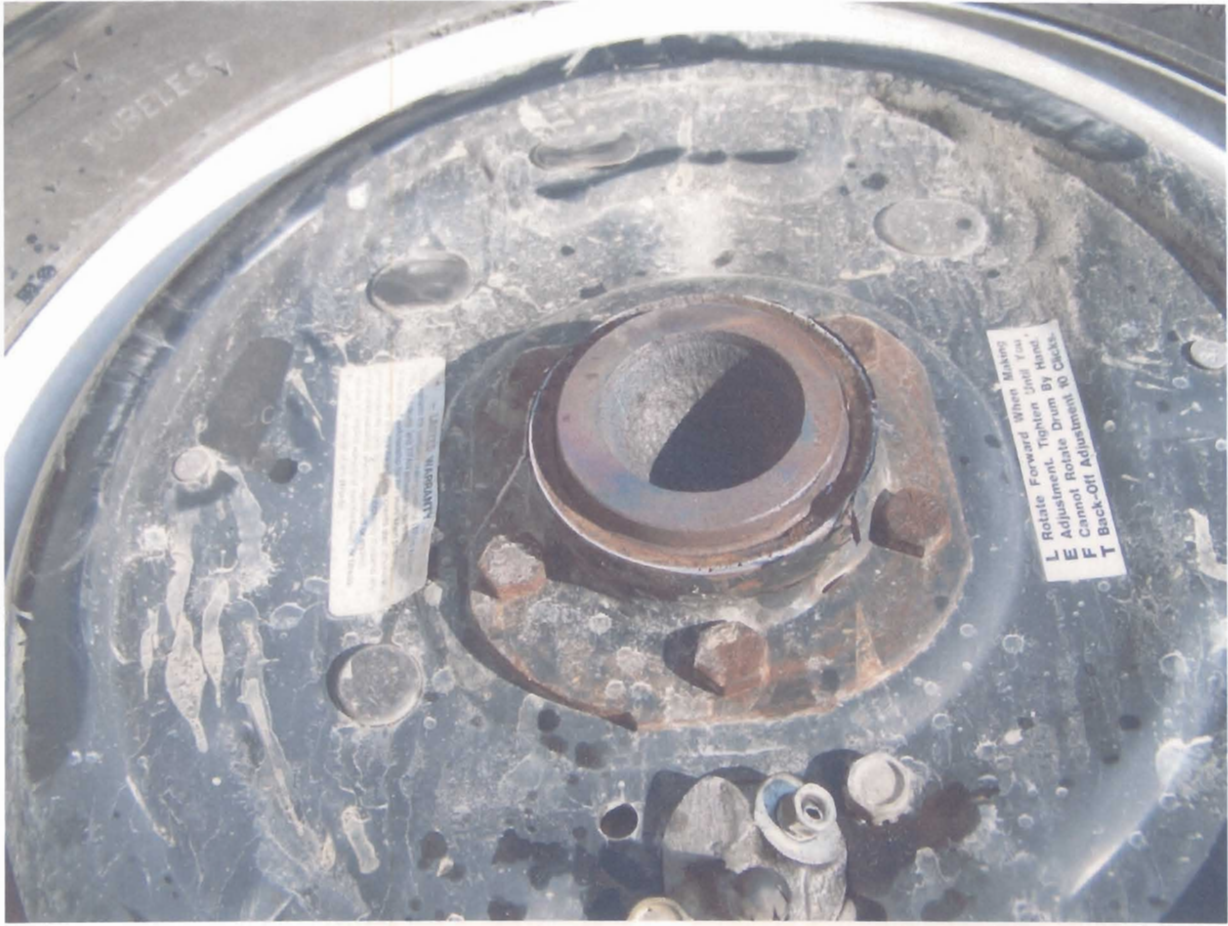
574-522-5300 Ext 104

[shawn@gdcnet.com](mailto:shawn@gdcnet.com)

**Images of failure**







#### **IV. Provide the Chronology in Determining the Defect/Noncompliance**

*If the recall is for a defect, complete item 6, otherwise item 7.*

**6. With respect to a defect, furnish a chronological summary (including dates) of all the principle events that were the basis for the determination of the defect. The summary should include, but not be limited to, the number of reports, accidents, injuries, fatalities, and warranty claims.**

7/18/2011 Dealer reports defective axle on trailer  
7/19/2011 Multiquip obtains pictures of failure and informs factory  
7/19/2011 Multiquip informs vendor of failure and asks for inspection  
7/20/2011 Notification of axle problem by Sr. Buyer of Multiquip to vendor  
7/20/2011 Report of failure from Multiquip Field Service Manager (MI report RG11201MI01)  
7/21/2011 Multiquip establishes possible s/n range of product  
7/22/2011 Notification of axle failure by different customer  
7/26/2011 internal review of both axle failures and review of vendor correspondence  
7/27/2011 Vendor supplies weld inspection procedure  
7/27/2011 Multiquip starts draft of bulletin  
7/27/2011 Request by Multiquip to Vendor to replace defective axles  
7/29/2011 Request to vendor for better picture on inspection procedure for bulletin  
8/2/2011 Failure report submitted by Field Service Manager (MI report Dkp 8.2.11)  
8/3/2011 Release of Service Bulletin via email and certified mail to affected customers. Bulletin posted on Multiquip's website  
8/8/2011 – 8/11/2011 Initiated inspections of axles by MQ Service personal. Process suggested inspection procedure must be handled by experienced person, possible deployment of x-ray equipment to determine weld penetration  
8-12-2011 – 8-17-2011 Discussions with Axle supplier on inspection procedure and possible continued liability. Determination and agreement axle supplier will assume all inspections  
8/16/2011 Vendor visits Multiquip assembly facility in Lewisville, TX to inspect all axle inventory and certify inventory for future production.  
8/19/2011 Mailing of updated Safety Bulletin to all affected customers outlining new procedure and contact information of Global Components, LLC  
8/22/2011 Notification to NHTSA

**7. With respect to a noncompliance, identify and provide the test results or other data (in chronological order and including dates) on which the noncompliance was determined.** Photographs of broken axles were submitted to vendor via email and vendor determined problem with robotic weld procedure. Vendor visited assembly facility of Multiquip to inspect axle inventory and certify axles for future use in assembly.

#### **V. Identify the Remedy**

**8. Furnish a description of the manufacturer's remedy for the defect or noncompliance. Clearly describe the differences between the recall condition and the remedy.**

Vendor has submitted detailed inspection procedure to identify defective welds. Vendor will replace any axle in question or after inspection by Global Components, LLC staff

**Clearly describe the distinguishing characteristics of the remedy component/assembly versus the recalled component/assembly.**

Correctly welded assemblies are within manufacturer's specifications, free of any weld build up, cracks or porosity.

**Identify and describe how and when the recall condition was corrected in production. If the production remedy was identical to the recall remedy in the field, so state. If the product was discontinued, so state.** Details of production corrections are not know to Multiquip. All in stock axles were inspected by Global Components,LLC on August 16, 2011 at the assembly facility in Lewisville, TX

#### **VI. Identify the Recall Schedule**

**Furnish a schedule or agenda (with specific dates) for notification to other manufacturers, dealers/retailers, and purchasers. Please, identify any foreseeable problems with implementing the recall.**

A mandatory Safety Bulletin was issued on 8-3-2011 to all identified customers who have purchased a trailer from Multiquip.

#### **VII. Furnish Recall Communications**

**9. Furnish a final copy of all notices, bulletins, and other communications that relate directly to the defect or noncompliance and which are sent to more than one manufacturer, distributor, or purchaser. This includes all communications (including both original and follow-up) concerning this recall from the time your company determines the defect or noncompliance condition on, not just the initial notification.**

Copy of Safety Bulletin No TL20110803 enclosed  
Updated Safety Bulletin TRLR220 8/19/2011 enclosed  
Spreadsheet with customer details enclosed

No other correspondence as of this date of notification



# Safety Bulletin

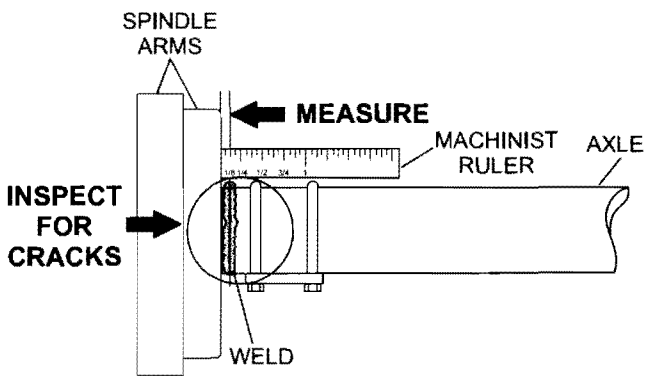
## Trailer Weld Inspection

<b>Product Group:</b> Power Solutions	<b>Date Issued:</b> 08/03/11	<b>Safety Bulletin No.</b> TL20110803
<b>Bulletin Type:</b> Mandatory  <i>Please read and perform required action immediately!</i>	<b>Models/Series Affected:</b>  TRLR220XFH/TRLR220XFE S/N L006115 – L007197	
<b>Details</b>		
<p><b>Problem:</b> Multiquip's records indicate that you purchased a DCA-Series generator mounted on either a TRLR220XFH or TRLR220XFE trailer. We are issuing this bulletin to inform you of a <b>MAJOR SAFETY CONCERN</b> involving these two highway trailer models.</p> <p>A supplier recently informed us that a production run of its axles may experience failure due to weld fatigue. This will lead to cracks developing between the axle and the spindle arms and eventually lead to complete breakage. <b>Should this occur while the trailer is being towed, it may lead to severe unit damage, injury or death!</b></p> <p><b>Action Required:</b> Immediately locate any trailers that are deployed (in use) and remove from service until an inspection is completed according to the instructions outlined in this bulletin. "RED TAG" the unit and apply a lockout device to prevent it from being towed.</p> <p>If the unit is in a location that does not permit proper inspection return the unit to a location where the procedure can be performed. If you do not feel comfortable performing this inspection please contact the Multiquip Technical Support Department at 800-478-1244 or techsupport@multiquip.com to arrange for assistance.</p> <p>DO NOT TOW THE UNIT UNTIL THE CONDITION OF THE AXLES HAVE BEEN COMPLETELY INSPECTED. IF TRANSPORTATION IS REQUIRED DO SO ONLY ON A FLATBED TRAILER.</p> <p>If you no longer own the unit because it was resold please forward this bulletin to the new owner or contact Multiquip with information regarding the new owner.</p>		
<b>Required Tool</b>		
6-inch Machinist Ruler		

**PROCEDURE:**

**CAUTION**  
 To prevent injury or damage to the equipment, make sure that the jackstand used in the following procedure is strong enough to support the weight of the trailer.

1. Place a chock block on one of the wheels of the trailer to prevent the trailer from rolling.
2. Use the trailer jack on the front of the trailer for extra stability.
3. Jack up the trailer near the wheel and place a jackstand under the frame.
4. Lower the trailer onto the jackstand.
5. Remove the wheel from the trailer.
6. Inspect the area indicated in Figure 1 for any visible weld failures such as cracks or fractures.



**Figure 1. Weld Inspection Area**

7. If there are indications of weld failure, such as cracks or fractures, **RED TAG** the trailer. **DO NOT WELD OVER A CRACKED OR FRACTURED WELD!** Contact Multiquip Service Department for instructions on axle replacement procedure.
8. If no cracks or fractures are noticeable, proceed to the next section to measure weld.

**Weld Measurement**

1. Carefully inspect area where the axle meets the back side of the spindle arm.
2. Using a 6-inch machinist ruler, measure from the center of the back side of the spindle arm to the center of the weld (see Figure 1). The measurement should be 1/8" ±1/16" (see Table 1).

Table 1. Weld Measurements	
Weld Width	Necessary Action
less than 1/16"	Replace Axle
1/16"	Acceptable
1/8"	Acceptable
3/16"	Acceptable
1/4" or more	Replace Axle

3. If weld measurement is not acceptable, **RED TAG** the trailer. Contact Multiquip Service Department for instructions on Axle replacement procedure.
4. After measurement, reinstall wheel and remove jackstand.

**NOTICE**  
 Perform the entire procedure for all four wheels.

## **WARRANTY INFORMATION**

Campaign: Reference No. 20110803

Multiquip will reimburse 1 hour of labor per machine for inspection only. Contact the Multiquip warranty department for claim number and warranty form.

Contact the Multiquip warranty department for claim number and warranty form.

### **Multiquip Warranty Department**

800-421-1244

Chris Fairchild – Extension 1338

Gilbert Diaz – Extension 1397

Wendy Sanchez - Extension 1322



# Safety Bulletin

## Trailer Weld Inspection

### HERE'S HOW TO GET HELP

PLEASE HAVE THE MODEL AND SERIAL NUMBER ON-HAND WHEN CALLING

#### UNITED STATES

##### *Multiquip Corporate Office*

18910 Wilmington Ave.      Tel. (800) 421-1244  
Carson, CA 90746      Fax (800) 537-3927  
Contact: mq@multiquip.com

##### *Service Department*

800-421-1244      Fax: 310-537-4259  
310-537-3700

##### *Technical Assistance*

800-478-1244      Fax: 310-943-2238

##### *MQ Parts Department*

800-427-1244      Fax: 800-672-7877  
310-537-3700      Fax: 310-637-3284

##### *Warranty Department*

800-421-1244      Fax: 310-943-2249  
310-537-3700

#### MEXICO

##### *MQ Cipsa*

Carr. Fed. Mexico-Puebla KM 126.5      Tel: (52) 222-225-9900  
Momoxpan, Cholula, Puebla 72760 Mexico      Fax: (52) 222-285-0420  
Contact: pmastretta@cipsa.com.mx

#### CANADA

##### *Multiquip*

4110 Industriel Boul.      Tel: (450) 625-2244  
Laval, Quebec, Canada H7L 6V3      Tel: (877) 963-4411  
Contact: jmartin@multiquip.com      Fax: (450) 625-8664

#### UNITED KINGDOM

##### *Multiquip (UK) Limited Head Office*

Unit 2, Northpoint Industrial Estate,      Tel: 0161 339 2223  
Globe Lane,      Fax: 0161 339 3226  
Dukinfield, Cheshire SK16 4UJ  
Contact: sales@multiquip.co.uk

© COPYRIGHT 2011, MULTIQUIP INC.

Multiquip Inc and the MQ logo are registered trademarks of Multiquip Inc. and may not be used, reproduced, or altered without written permission. All other trademarks are the property of their respective owners and used with permission.

The information and specifications included in this publication were in effect at the time of approval for printing. Illustrations, descriptions, references and technical data contained in this document are for guidance only and may not be considered as binding. Multiquip Inc. reserves the right to discontinue or change specifications, design or the information published in this publication at any time without notice and without incurring any obligations.

Your Local Dealer is:



August 19, 2011



On 8/03/2011 Multiquip sent out a Safety Bulletin regarding an axle inspection for TRLR220XFH and TRLR220XFE trailers. This Bulletin provided a serial number range of L006115 – L007197. As of today Multiquip has determined that this range was incorrect. The correct range of serial numbers is **L006115 – L007320**.

After consultation with our axle supplier GDC, you are no longer responsible to inspect your trailer axles. **It has been determined that GDC is the only qualified company to inspect these axles.**

**Action Required:**

Immediately locate any trailers that are deployed (in use) and remove from service until an inspection is completed by Multiquip's axle supplier GDC. "RED TAG" the unit and apply a lockout device to prevent it from being towed.

If the unit is in a location that does not permit proper inspection/axle replacement please return the unit to a location where the procedure can be performed.

**DO NOT TOW THE UNIT UNTIL THE CONDITION OF THE AXLE(S) HAVE BEEN COMPLETELY INSPECTED. IF TRANSPORTATION IS REQUIRED DO SO ONLY ON A FLATBED TRAILER.**

GDC will be contacting you to set up a date and time when the inspection and possible replacement will be performed.

For additional information please contact GDC

Shawn Cochran  
Ph. 574-522-5300 ext. 104  
Cell 574-575-0385  
[shawn@gdcnet.com](mailto:shawn@gdcnet.com)

Maxine Lynch  
Ph. 574-522-5300 ext. 102  
[Max@gdcnet.com](mailto:Max@gdcnet.com)

Regards,

Jonathan Cuppett  
Product Manager  
Multiquip, Inc.

46	TRLR220XFH	L006719	Sunbelt Rentals, Inc. #140	1634 Broadway Street	CLARKSVILLE	IN	47129	US	812-284-5268	5/23/2011	Gregory Demoss
47	TRLR220XFH	L006761	Sunbelt Rentals, Inc. #212	5162 Akron Cleveland Road	PENINSULA	OH	44264	US	330-650-9090	5/27/2011	Kyle Kraft
48	TRLR220XFH	L006722	Sunbelt Rentals, Inc. #212	5162 Akron Cleveland Road	PENINSULA	OH	44264	US	330-650-9090	5/23/2011	Kyle Kraft
49	TRLR220XFH	L006723	Sunbelt Rentals, Inc. #270	711 North Beach	Fort Worth	TX	76111	US	817-759-0413	5/23/2011	Dave Tillotson
50	TRLR220XFH	L006667	Sunbelt Rentals, Inc. #290	800 Hartford Turnpike	SHREWSBURY	MA	1545	US	508-842-0097	5/17/2011	Steven Culliton
51	TRLR220XFH	L006720	Sunbelt Rentals, Inc. #347	5446 IH-10 East	San Antonio	TX	78219	US	210-648-8000	5/23/2011	Loyd Boydston
52	TRLR220XFH	L006721	Sunbelt Rentals, Inc. #347	5446 IH-10 East	San Antonio	TX	78219	US	210-648-8000	5/23/2011	Loyd Boydston
53	TRLR220XFH	L006935	Sunbelt Rentals, Inc. #505	55 East 2400 South	SALT LAKE CITY	UT	84115	US	801-486-0055	6/16/2011	Jeffrey Meyer
54	TRLR220XFH	L006937	Sunbelt Rentals, Inc. #505	55 East 2400 South	SALT LAKE CITY	UT	84115	US	801-486-0055	6/16/2011	Jeffrey Meyer
55	TRLR220XFE	L006717	UNITED RENTALS OF CANADA #E19	375 MacKenzie Boulevard	Fort McMurray	AB	T9H 5E2	CA	780-790-2700	5/23/2011	Jason Rose
56	TRLR220XFE	L006718	UNITED RENTALS OF CANADA #E19	375 MacKenzie Boulevard	Fort McMurray	AB	T9H 5E2	CA	780-790-2700	5/23/2011	Jason Rose
57	TRLR220XFE	L007320	United Rentals Pump & Power	2809 East 13th Street	La Porte	TX	77571	US	281-542-5500	8/4/2011	Jason Rose
58	TRLR220XFE	L007201	United Rentals Pump & Power	2809 East 13th Street	La Porte	TX	77571	US	281-542-5500	7/26/2011	Jason Rose
59	TRLR220XFE	L007202	United Rentals Pump & Power	2809 East 13th Street	La Porte	TX	77571	US	281-542-5500	7/26/2011	Jason Rose
60	TRLR220XFE	L007203	United Rentals Pump & Power	2809 East 13th Street	La Porte	TX	77571	US	281-542-5500	7/26/2011	Jason Rose
61	TRLR220XFE	L007204	United Rentals Pump & Power	2809 East 13th Street	La Porte	TX	77571	US	281-542-5500	7/26/2011	Jason Rose
62	TRLR220XFE	L007205	United Rentals Pump & Power	2809 East 13th Street	La Porte	TX	77571	US	281-542-5500	7/26/2011	Jason Rose
63	TRLR220XFE	L007206	United Rentals Pump & Power	2809 East 13th Street	La Porte	TX	77571	US	281-542-5500	7/26/2011	Jason Rose
64	TRLR220XFE	L007207	United Rentals Pump & Power	2809 East 13th Street	La Porte	TX	77571	US	281-542-5500	7/26/2011	Jason Rose
65	TRLR220XFE	L007208	United Rentals Pump & Power	2809 East 13th Street	La Porte	TX	77571	US	281-542-5500	7/26/2011	Jason Rose
66	TRLR220XFE	L007209	United Rentals Pump & Power	2809 East 13th Street	La Porte	TX	77571	US	281-542-5500	7/26/2011	Jason Rose
67	TRLR220XFE	L007210	United Rentals Pump & Power	2809 East 13th Street	La Porte	TX	77571	US	281-542-5500	7/26/2011	Jason Rose
68	TRLR220XFE	L007211	United Rentals Pump & Power	2809 East 13th Street	La Porte	TX	77571	US	281-542-5500	7/26/2011	Jason Rose
69	TRLR220XFE	L007212	United Rentals Pump & Power	2809 East 13th Street	La Porte	TX	77571	US	281-542-5500	7/26/2011	Jason Rose
70	TRLR220XFE	L007191	United Rentals Pump & Power	2809 East 13th Street	La Porte	TX	77571	US	281-542-5500	7/18/2011	Jason Rose
71	TRLR220XFE	L007192	United Rentals Pump & Power	2809 East 13th Street	La Porte	TX	77571	US	281-542-5500	7/18/2011	Jason Rose
72	TRLR220XFE	L007193	United Rentals Pump & Power	2809 East 13th Street	La Porte	TX	77571	US	281-542-5500	7/18/2011	Jason Rose
73	TRLR220XFE	L007194	United Rentals Pump & Power	2809 East 13th Street	La Porte	TX	77571	US	281-542-5500	7/18/2011	Jason Rose
74	TRLR220XFE	L007195	United Rentals Pump & Power	2809 East 13th Street	La Porte	TX	77571	US	281-542-5500	7/18/2011	Jason Rose
75	TRLR220XFE	L007196	United Rentals Pump & Power	2809 East 13th Street	La Porte	TX	77571	US	281-542-5500	7/18/2011	Jason Rose
76	TRLR220XFE	L007198	United Rentals Pump & Power	2809 East 13th Street	La Porte	TX	77571	US	281-542-5500	7/18/2011	Jason Rose
77	TRLR220XFE	L007200	United Rentals Pump & Power	2809 East 13th Street	La Porte	TX	77571	US	281-542-5500	7/18/2011	Jason Rose
78	TRLR220XFE	L006821	United Rentals Pump & Power	2809 East 13th Street	La Porte	TX	77571	US	281-542-5500	6/6/2011	Jason Rose
79	TRLR220XFE	L006813	United Rentals Pump & Power	2809 East 13th Street	La Porte	TX	77571	US	281-542-5500	6/3/2011	Jason Rose
80	TRLR220XFE	L006814	United Rentals Pump & Power	2809 East 13th Street	La Porte	TX	77571	US	281-542-5500	6/3/2011	Jason Rose
81	TRLR220XFE	L006816	United Rentals Pump & Power	2809 East 13th Street	La Porte	TX	77571	US	281-542-5500	6/3/2011	Jason Rose
82	TRLR220XFE	L006818	United Rentals Pump & Power	2809 East 13th Street	La Porte	TX	77571	US	281-542-5500	6/3/2011	Jason Rose
83	TRLR220XFE	L006820	United Rentals Pump & Power	2809 East 13th Street	La Porte	TX	77571	US	281-542-5500	6/3/2011	Jason Rose
84	TRLR220XFE	L006810	United Rentals Pump & Power	2809 East 13th Street	La Porte	TX	77571	US	281-542-5500	6/2/2011	Jason Rose
85	TRLR220XFE	L006811	United Rentals Pump & Power	2809 East 13th Street	La Porte	TX	77571	US	281-542-5500	6/2/2011	Jason Rose
86	TRLR220XFE	L006812	United Rentals Pump & Power	2809 East 13th Street	La Porte	TX	77571	US	281-542-5500	6/2/2011	Jason Rose
87	TRLR220XFE	L006767	United Rentals Pump & Power	2809 East 13th Street	La Porte	TX	77571	US	281-542-5500	5/31/2011	Jason Rose
88	TRLR220XFE	L006768	United Rentals Pump & Power	2809 East 13th Street	La Porte	TX	77571	US	281-542-5500	5/31/2011	Jason Rose
89	TRLR220XFE	L006769	United Rentals Pump & Power	2809 East 13th Street	La Porte	TX	77571	US	281-542-5500	5/31/2011	Jason Rose
90	TRLR220XFE	L006770	United Rentals Pump & Power	2809 East 13th Street	La Porte	TX	77571	US	281-542-5500	5/31/2011	Jason Rose
91	TRLR220XFE	L006772	United Rentals Pump & Power	2809 East 13th Street	La Porte	TX	77571	US	281-542-5500	5/31/2011	Jason Rose
92	TRLR220XFE	L006764	United Rentals Pump & Power	2809 East 13th Street	La Porte	TX	77571	US	281-542-5500	5/27/2011	Jason Rose
93	TRLR220XFE	L006710	United Rentals Pump & Power	2809 East 13th Street	La Porte	TX	77571	US	281-542-5500	5/23/2011	Jason Rose
94	TRLR220XFE	L006711	United Rentals Pump & Power	2809 East 13th Street	La Porte	TX	77571	US	281-542-5500	5/23/2011	Jason Rose
95	TRLR220XFE	L006712	United Rentals Pump & Power	2809 East 13th Street	La Porte	TX	77571	US	281-542-5500	5/23/2011	Jason Rose
96	TRLR220XFE	L006713	United Rentals Pump & Power	2809 East 13th Street	La Porte	TX	77571	US	281-542-5500	5/23/2011	Jason Rose

## Affected MQ019 and MQ020 Axles

TRLR220XFH use MQ019 axle

TRLR220XFE use MQ020 axle

#	Model #	S/N	Name	Street	City	ST	ZIPCode	CTR	Telephone #	SN Recvd	Contact
1	TRLR220XFE	L006815	ElecComm Power Services, Inc.	785 Woburn St.	Wilmington	MA	1887	US	978-657-0091	6/3/2011	
2	TRLR220XFH	L007266	Holt CAT	2001 N. Loop 12	Irving	TX	75061	US	210-648-1111	7/28/2011	Tom Berry
3	TRLR220XFH	L007267	Holt CAT	2001 N. Loop 12	Irving	TX	75061	US	210-648-1111	7/28/2011	Tom Berry
4	TRLR220XFH	L007268	Holt CAT	2001 N. Loop 12	Irving	TX	75061	US	210-648-1111	7/28/2011	Tom Berry
5	TRLR220XFH	L007269	Holt CAT	2001 N. Loop 12	Irving	TX	75061	US	210-648-1111	7/28/2011	Tom Berry
6	TRLR220XFH	L007270	Holt CAT	2001 N. Loop 12	Irving	TX	75061	US	210-648-1111	7/28/2011	Tom Berry
7	TRLR220XFH	L007271	Holt CAT	2001 N. Loop 12	Irving	TX	75061	US	210-648-1111	7/28/2011	Tom Berry
8	TRLR220XFH	L007272	Holt CAT	2001 N. Loop 12	Irving	TX	75061	US	210-648-1111	7/28/2011	Tom Berry
9	TRLR220XFH	L007273	Holt CAT	2001 N. Loop 12	Irving	TX	75061	US	210-648-1111	7/28/2011	Tom Berry
10	TRLR220XFH	L006665	Holt of California	3850 Channel Drive	West Sacramento	CA	95691	US	916-373-4100	5/17/2011	Richard Lund
11	TRLR220XFH	L006664	Holt of California	3850 Channel Drive	West Sacramento	CA	95691	US	916-373-4100	5/16/2011	Richard Lund
12	TRLR220XFH	L006519	Holt of California	3850 Channel Drive	West Sacramento	CA	95691	US	916-373-4100	5/2/2011	Richard Lund
13	TRLR220XFH	L006506	Holt of California	3850 Channel Drive	West Sacramento	CA	95691	US	916-373-4100	4/30/2011	Richard Lund
14	TRLR220XFE	L007197	Kiewit-Nuvumit	11211 - 215 Street	Edmonton	AB	T5S 2B2	CA	780-447-3509	7/18/2011	
15	TRLR220XFH	L006510	Northstar Recovery Services	TBD	Houston	CA	94544	US	510-491-1300	5/2/2011	Randy Thomson 713-962-4682
16	TRLR220XFH	L006511	Northstar Recovery Services	TBD	Houston	CA	94544	US	510-491-1300	5/2/2011	Randy Thomson 713-962-4682
17	TRLR220XFH	L006514	Northstar Recovery Services	TBD	Houston	CA	94544	US	510-491-1300	5/2/2011	Randy Thomson 713-962-4682
18	TRLR220XFH	L006517	Northstar Recovery Services	TBD	Houston	CA	94544	US	510-491-1300	5/2/2011	Randy Thomson 713-962-4682
19	TRLR220XFH	L006507	Northstar Recovery Services	TBD	Houston	CA	94544	US	510-491-1300	4/30/2011	Randy Thomson 713-962-4682
20	TRLR220XFH	L006508	Northstar Recovery Services	31500 Hayman Street	Hayward	CA	94544	US	510-491-1300	4/30/2011	Randy Thomson 713-962-4682
21	TRLR220XFH	L006762	RSC Equipment Rental #489	7920 NE Saint Johns Road	Vancouver	WA	98665	US	360-754-5655	5/27/2011	
22	TRLR220XFH	L006938	RSC Equipment Rental #815	4002 Texas Avenue	Texas City	TX	77590	US	409-938-0766	6/16/2011	Will Balzek
23	TRLR220XFH	L006725	Star Rentals, Inc.	4517 Auburn Way North	Auburn	WA	98002	US	253-854-3922	5/23/2011	Gordy Ellis 206-790-7202
24	TRLR220XFH	L006727	Star Rentals, Inc.	4517 Auburn Way North	Auburn	WA	98002	US	253-854-3922	5/23/2011	Gordy Ellis 206-790-7202
25	TRLR220XFE	L006817	Stewart & Stevenson Power Products	1631 Chalk Hill Road	Dallas	TX	75212	US	214-631-5370	6/3/2011	Rick Jenkins or Billy Bratton
26	TRLR220XFE	L006819	Stewart & Stevenson Power Products	1631 Chalk Hill Road	Dallas	TX	75212	US	214-631-5370	6/3/2011	Rick Jenkins or Billy Bratton
27	TRLR220XFE	L006771	Stewart & Stevenson Power Products	1631 Chalk Hill Road	Dallas	TX	75212	US	214-631-5370	5/31/2011	Rick Jenkins or Billy Bratton
28	TRLR220XFE	L006763	Stewart & Stevenson Power Products	1631 Chalk Hill Road	Dallas	TX	75212	US	214-631-5370	5/27/2011	Rick Jenkins or Billy Bratton
29	TRLR220XFE	L006765	Stewart & Stevenson Power Products	1631 Chalk Hill Road	Dallas	TX	75212	US	214-631-5370	5/27/2011	Rick Jenkins or Billy Bratton
30	TRLR220XFE	L006766	Stewart & Stevenson Power Products	1631 Chalk Hill Road	Dallas	TX	75212	US	214-631-5370	5/27/2011	Rick Jenkins or Billy Bratton
31	TRLR220XFE	L006709	Stewart & Stevenson Power Products	1631 Chalk Hill Road	Dallas	TX	75212	US	214-631-5370	5/23/2011	Rick Jenkins or Billy Bratton
32	TRLR220XFE	L006714	Stewart & Stevenson Power Products	1631 Chalk Hill Road	Dallas	TX	75212	US	214-631-5370	5/23/2011	Rick Jenkins or Billy Bratton
33	TRLR220XFE	L006715	Stewart & Stevenson Power Products	1631 Chalk Hill Road	Dallas	TX	75212	US	214-631-5370	5/23/2011	Rick Jenkins or Billy Bratton
34	TRLR220XFE	L006716	Stewart & Stevenson Power Products	1631 Chalk Hill Road	Dallas	TX	75212	US	214-631-5370	5/23/2011	Rick Jenkins or Billy Bratton
35	TRLR220XFH	L006513	Sunbelt Pump & Power #022	7205 Statesville Road	Charlotte	NC	28269	US	704-335-0204	5/2/2011	Scott Helms
36	TRLR220XFH	L006515	Sunbelt Pump & Power #022	7205 Statesville Road	Charlotte	NC	28269	US	704-335-0204	5/2/2011	Scott Helms
37	TRLR220XFH	L006516	Sunbelt Pump & Power #022	7205 Statesville Road	Charlotte	NC	28269	US	704-335-0204	5/2/2011	Scott Helms
38	TRLR220XFH	L006518	Sunbelt Pump & Power #022	7205 Statesville Road	Charlotte	NC	28269	US	704-335-0204	5/2/2011	Scott Helms
39	TRLR220XFH	L006512	Sunbelt Pump & Power #048	7520 Hwy 301 North	Tampa	FL	33637	US	813-247-4800	5/2/2011	Micheal DiBurro
40	TRLR220XFH	L006666	Sunbelt Pump & Power #093	2820 Superior Drive	Wake Forest	NC	27587	US	919-570-7050	5/17/2011	Nelson Jones
41	TRLR220XFH	L006509	Sunbelt Pump & Power #348	2257 Lincoln Avenue	Tacoma	WA	98421	US	253-922-6995	5/2/2011	Richard Carpenter
42	TRLR220XFH	L006505	Sunbelt Pump & Power #577	2800 Goodrick Ave	Richmond	CA	94801	US	510-621-0002	4/30/2011	David Bradley
43	TRLR220XFH	L007274	Sunbelt Rentals, Inc PC582	7205 Statesville Road	Charlotte	NC	28269	US	704-598-4423	7/28/2011	Scott Helms
44	TRLR220XFH	L006934	Sunbelt Rentals, Inc. #0	12055 Perry Street	BROOMFIELD	CO	80020	US	303-404-2050	6/16/2011	Mario Di Bona
45	TRLR220XFH	L006936	Sunbelt Rentals, Inc. #0	12055 Perry Street	BROOMFIELD	CO	80020	US	303-404-2050	6/16/2011	Mario Di Bona

97	TRLR220XFE	L006644	United Rentals Pump & Power	5856 Mining Terrace	Jacksonville	FL	32257	US	904-731-5545	5/14/2011	
98	TRLR220XFE	L006645	United Rentals Pump & Power	2809 East 13th Street	La Porte	TX	77571	US	281-542-5500	5/14/2011	Jason Rose
99	TRLR220XFE	L006638	United Rentals Pump & Power	5856 Mining Terrace	Jacksonville	FL	32257	US	904-731-5545	5/13/2011	
100	TRLR220XFE	L006640	United Rentals Pump & Power	2809 East 13th Street	La Porte	TX	77571	US	281-542-5500	5/13/2011	Jason Rose
101	TRLR220XFE	L006179	United Rentals Pump & Power	130 Skipjack Road	PRINCE FREDERICK	MD	20678	US	410-414-3804	3/18/2011	
102	TRLR220XFE	L006180	United Rentals Pump & Power	130 Skipjack Road	PRINCE FREDERICK	MD	20678	US	410-414-3804	3/18/2011	
103	TRLR220XFE	L006181	United Rentals Pump & Power	130 Skipjack Road	PRINCE FREDERICK	MD	20678	US	410-414-3804	3/18/2011	
104	TRLR220XFE	L006121	United Rentals Pump & Power	9375 Boggy Creek Road	Orlando	FL	32824	US	407-854-6061	3/14/2011	
105	TRLR220XFE	L006116	United Rentals Pump & Power	3400 NW 15 Street	Lauderhill	FL	33311	US	800-462-0094	3/14/2011	
106	TRLR220XFE	L006119	United Rentals Pump & Power	3400 NW 15 Street	Lauderhill	FL	33311	US	800-462-0094	3/14/2011	
107	TRLR220XFE	L006362	United Rentals Pump Power & HVAC	3990 Jonesboro Road	Forest Park	GA	30297	US	404-675-1010	4/12/2011	
108	TRLR220XFE	L006363	United Rentals Pump Power & HVAC	3990 Jonesboro Road	Forest Park	GA	30297	US	404-675-1010	4/12/2011	
109	TRLR220XFE	L006364	United Rentals Pump Power & HVAC	3990 Jonesboro Road	Forest Park	GA	30297	US	404-675-1010	4/12/2011	
110	TRLR220XFE	L006642	United Rentals Pump Power HVAC	1012 W. Harris Road	Arlington	TX	76001	US	817-419-6345	5/14/2011	Roy Abshier
111	TRLR220XFE	L006643	United Rentals Pump Power HVAC	1012 W. Harris Road	Arlington	TX	76001	US	817-419-6345	5/14/2011	Roy Abshier
112	TRLR220XFH	L006724	United Rentals, Inc.	204 South Fancher Road	Spokane	WA	99212	US	509-532-1235	5/23/2011	
113	TRLR220XFH	L006726	United Rentals, Inc.	204 South Fancher Road	Spokane	WA	99212	US	509-532-1235	5/23/2011	
114	TRLR220XFE	L006639	United Rentals, Inc.	40 Industry Drive	WEST HAVEN	CT	6516	US	203-937-9953	5/13/2011	
115	TRLR220XFE	L006641	United Rentals, Inc.	40 Industry Drive	WEST HAVEN	CT	6516	US	203-937-9953	5/13/2011	
116	TRLR220XFE	L006115	United Rentals, Inc.	1005 West College Avenue	STATE COLLEGE	PA	16801	US	814-237-3325	3/14/2011	
117	TRLR220XFE	L006117	United Rentals, Inc.	1005 West College Avenue	STATE COLLEGE	PA	16801	US	814-237-3325	3/14/2011	
118	TRLR220XFE	L006118	United Rentals, Inc.	1005 West College Avenue	STATE COLLEGE	PA	16801	US	814-237-3325	3/14/2011	
119	TRLR220XFE	L006120	United Rentals, Inc.	1005 West College Avenue	STATE COLLEGE	PA	16801	US	814-237-3325	3/14/2011	