



Altec Industries, Inc.  
Midwest Division  
St. Joseph, MO

MAB 540

# MANDATORY ACTION BULLETIN

Date: December 15, 2010

Units Affected: See attached list

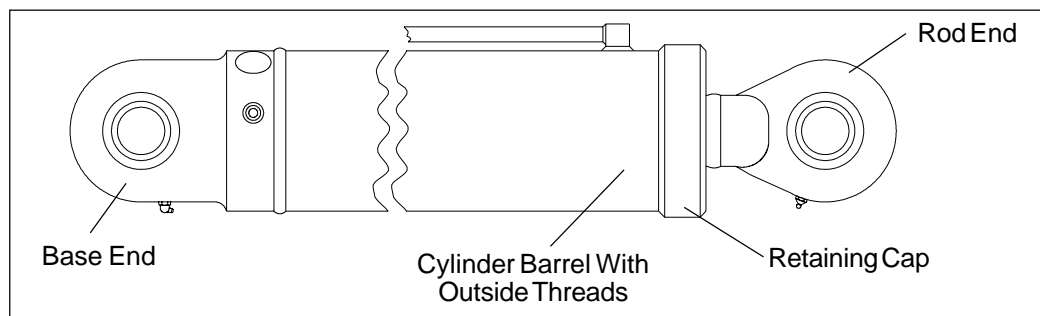
## Lower Boom Lift Cylinder Inspection

**This Mandatory Action Bulletin requires immediate action.**

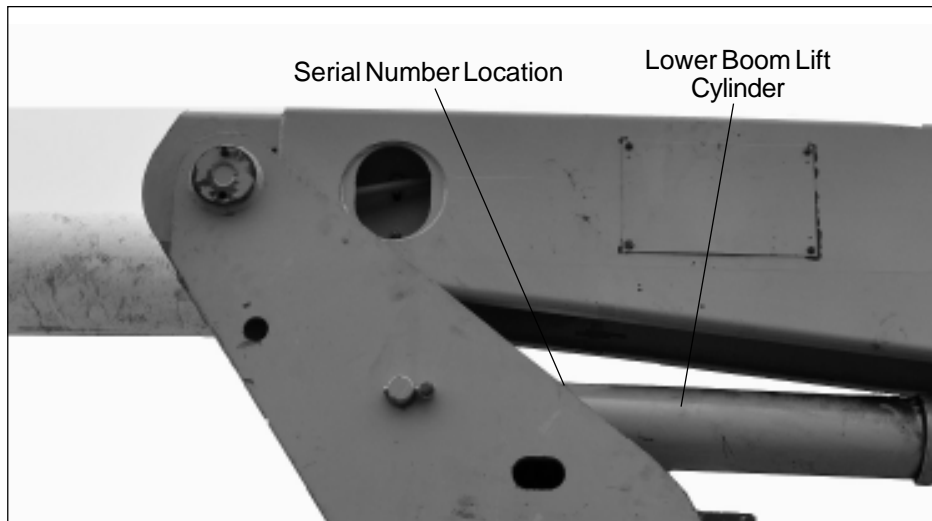
This Mandatory Action Bulletin requires immediate inspection of the lower boom lift cylinder on the units listed on Page 5. Altec has received a report of a cylinder failure when the lower boom is in the near vertical position. **Death or serious injury can result from uncontrolled movement. The failure of the lower boom lift cylinder can cause death or serious injury.**

Investigation has determined that some lower boom lift cylinders have the potential for failure. Units affected must be immediately inspected for the specific cylinders. These cylinders can be identified by:

- A retaining cap on the head gland which is threaded to the outside of the cylinder barrel (refer to Figure 1).
- The serial number which would contain the letters RMT in it. The cylinder serial number is located at the base end of the cylinder (refer to Figure 2) and may be hard to find and read because of the paint on the cylinder.

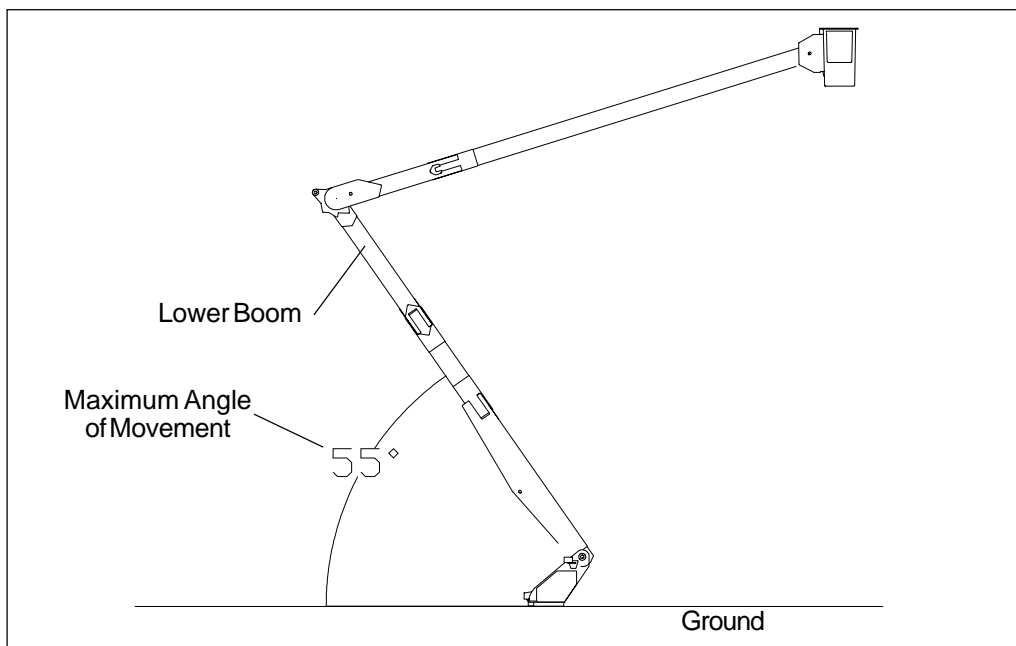


**Figure 1 — Cylinder With External Thread Retaining Cap**



**Figure 2 — Location Of Cylinder Serial Number**

If the cylinder has these two identifying characteristics, the cylinder **MUST** be replaced. The lower boom operation must be limited to no more than 55 degrees of movement relative to the ground (refer to Figure 3) until the cylinder is replaced. Make sure that all operators or service technicians are aware of this restricted range of movement.



**Figure 3 — Lower Boom Movement**

If the cylinder does not have this specific design characteristic or serial number designation, the unit may be placed back into service. No further action is required for this Mandatory Action Bulletin.

After performing the inspection, complete the Inspection Sheet on Page 4 and fax it to the phone number as shown on the form.

Call 1-877-GO-ALTEC to order the replacement lower boom lift cylinder (part number 970281108) or to schedule the work to be done by an Altec service technician. Replacement of the lower boom lift cylinder can be done by the customer. This repair is covered under the Altec Warranty System. A warranty claim must be submitted for reimbursement for the cost of the parts and for labor. Transportation charges may apply if the service work is done at the customer location.

# MAB 540 Inspection Sheet

Complete this form and FAX to: 1-877-659-9929

| Model | Serial Number | Cylinder Requires Replacement |    | Date Inspected |
|-------|---------------|-------------------------------|----|----------------|
|       |               | Yes                           | No |                |
|       |               |                               |    |                |
|       |               |                               |    |                |
|       |               |                               |    |                |
|       |               |                               |    |                |
|       |               |                               |    |                |
|       |               |                               |    |                |
|       |               |                               |    |                |
|       |               |                               |    |                |
|       |               |                               |    |                |
|       |               |                               |    |                |

Make additional copies of this form, as needed, for additional units. Contact Technical Support at 1-877-GO ALTEC (1-877-462-5832), prompt 4, for further repair information.

Company Name: \_\_\_\_\_ Phone \_\_\_\_\_

Company Contact: \_\_\_\_\_

Company Street Address: \_\_\_\_\_

State: \_\_\_\_\_ ZIP Code: \_\_\_\_\_

Signature: \_\_\_\_\_

**MAB 540**

**List of Affected Units for MAB 40**  
**(See individual unit for serial numbers affected)**

| <b>AM450</b>     | <b>AM800/900</b> | <b>AN546 (continued)</b> | <b>AN650 (continued)</b> |
|------------------|------------------|--------------------------|--------------------------|
| 1296-R3214       | 1196-R3194       | 0996-U1692               | 0196-U1627               |
| 1296-R3215       | 1296-R3196       | 1196-U1704               | 0296-U1629               |
| 0397-R3238       | 1196-R3202       |                          | 0296-U1631               |
| 0397-R3239       | 1196-R3203       | <b>AN650</b>             | 0296-U1632               |
|                  | 1296-R3206       | 0295-U1495               | 0296-U1634               |
| <b>AM550</b>     | 1296-R3207       | 0295-U1542               | 0396-U1641               |
| 0595-R2846       | 1296-R3208       | 0295-U1543               | 0596-U1667               |
| 0995-R2929       | 1296-R3216       | 0295-U1559               | 0596-U1669               |
| 0995-R2930       | 1296-R3217       | 0395-U1563               | 0996-U1688               |
| 1095-R2974       | 0197-R3224       | 0395-U1564               | 0996-U1695               |
| 1095-R2975       | 0197-R3225       | 0395-U1565               | 1096-U1699               |
| 1095-R2976       | 0297-R3232       | 0495-U1568               | 1096-U1700               |
| 0596-R3094       | 0297-R3233       | 0495-U1569               | 1196-U1701               |
| 0596-R3095       | 0297-R3234       | 0495-U1570               | 1196-U1702               |
| 0596-R3096       | 0297-R3235       | 0495-U1571               | 1196-U1703               |
| 0596-R3097       | 0397-R3240       | 0495-U1572               | 1196-U1705               |
| 0596-R3098       |                  | 0695-U1576               | 1196-U1706               |
| 0197-R3220       | <b>AN543</b>     | 0695-U1579               | 1196-U1707               |
| 0297-R3226       | 0994-U1407       | 0695-U1580               | 1196-U1709               |
|                  | 0994-U1408       | 0695-U1581               | 1196-U1710               |
| <b>AM600</b>     | 0994-U1409       | 0695-U1582               | 1196-U1711               |
| 1196-R3187       | 0994-U1410       | 0695-U1583               | 1196-U1712               |
| 1196-R3188       | 0994-U1411       | 0795-U1584               | 0197-U1715               |
| 1196-R3189       | 0994-U1412       | 0795-U1585               | 0197-U1716               |
| 1196-R3190       | 0994-U1413       | 0795-U1586               | 0297-U1723               |
| 1196-R3191       | 0994-U1414       | 0795-U1587               |                          |
| 1196-R3193       | 0994-U1416       | 0795-U1588               | <b>AN755</b>             |
| 1296-R3197       | 0994-U1417       | 0795-U1589               | 0695-U1577               |
| 1296-R3198       | 0994-U1418       | 0795-U1590               | 0795-U1593               |
| 1296-R3199       | 0994-U1419       | 0795-U1591               | 0995-U1601               |
| 1296-R3205       | 1094-U1423       | 0795-U1592               | 0995-U1603               |
| 1296-R3211       | 1094-U1424       | 0895-U1594               | 0496-U1657               |
| 1296-R3213       | 1094-U1425       | 0895-U1595               | 0796-U1680               |
| 1296-R3218       | 1094-U1426       | 0895-U1596               | 0996-U1690               |
| 1296-R3219       | 1094-U1434       | 0895-U1598               |                          |
| 0297-R3227       | 1094-U1435       | 0895-U1599               |                          |
| 0297-R3228       |                  | 0995-U1602               |                          |
| 0297-R3230       | <b>AN546</b>     | 0995-U1605               |                          |
| 0297-R3231       | 1195-U1620       | 1095-U1613               |                          |
|                  | 0396-U1635       | 1095-U1615               |                          |
| <b>AM600-E76</b> | 0396-U1636       | 1095-U1616               |                          |
| 1196-Z0140       | 0396-U1637       | 1095-U1617               |                          |
| 1196-Z0139       | 0396-U1638       | 1095-U1618               |                          |
|                  | 0396-U1639       | 1195-U1619               |                          |
| <b>AM755</b>     | 0896-U1685       | 1295-V1622               |                          |
| 1196-R3192       | 0896-U1686       | 0196-U1623               |                          |
| 1296-R3195       | 0896-U1687       | 0196-U1625               |                          |
| 1296-R3204       | 0996-U1691       | 0196-U1626               |                          |