



SUBURBAN MANUFACTURING COMPANY
676 Broadway Street
Dayton, Tennessee 37321
423-775-2131
www.rvcomfort.com

FIELD REPLACEMENT PROCEDURES FOR OVEN BURNER GAS TUBE

Kit Numbers:

521053 for 17" (short) ovens

521054 for 22" (long) ovens

Models SRSA3SBBE, SRSA3LBBE, SRSA3SBGE,
SRSA3LBGE, SRSA3SPSS, SRSA3LPSS

Recall Number 10E-035

This recall applies to range models listed above. These range models were shipped between November 1, 2009 and July 31, 2010. These units are in a serial number range beginning with serial number 094606308 and ending with serial number 102508929.

To check to see if this recall has been performed on the unit, removed the top of the range and look in the area between the 3 top burners to see if you can find a sticker located above the range's data plate and lighting instructions which says "Oven Tube Replaced". If you see this sticker the recall has been performed on this appliance. If you do not see this sticker, please continue with the recall instructions. Page 2 of this instruction sheet shows where this sticker is located.

CAUTION: All work required to comply with this recall must be completed by a dealer, a recommended service center or a licensed gas service agency.

Special Tool Needed: 13 mm open end wrench

STEP #1: Removal of appliance.

1. Turn **OFF** the gas supply to the appliance at the closest shut off valve or at the LP tanks.
2. Remove the oven top by lifting up and forward clear of the two hold down tabs at rear of top.
3. After insuring the gas supply is **OFF**, loosen and remove the gas supply line to the appliance at the back of the regulator in the burner box. Insure a second wrench is used to firmly hold the fitting at the regulator while the fitting at gas supply line is removed and replaced.
4. Remove the mounting screws from the left and right side flanges of the burner box and the front frame bottom tabs.
5. The appliance should now move forward and lift clear of the cut out opening.
6. Place the appliance on a work surface where access is available to all four sides.

STEP #2: Access to oven burner gas tube.

1. Loosen and remove the six screws on sides of the burner box and the two screws at the rear of the burner box which secure the burner box to the oven wrap.
2. Loosen and remove the two screws on the sides of the oven wrap and the two screws at rear of oven wrap which secure the wrap to the oven bottom.
3. Lift the burner box up slightly and lift the outer oven wrap clear of the oven bottom at sides and rear.
4. The oven burner gas tube should now be visible at the rear of the unit.

STEP #3: Removing the oven burner gas tube.

1. Remove the oven door to allow easier access to the rear of the oven compartment. Slightly open the door and insert pins included with kit thru hole in door hinge then close door to stop against pins. Lift the door straight up until notch in hinge is clear of slot in oven frame. Pull forward slightly then lower door to clear notch in frame. Door should now be free of

frame. Leave the pins in the hinges as the same process will be used to reinstall the door.

2. Remove the screw and nut which secure the oven burner at the front of the oven compartment. Gently pull the burner forward and away from the rear of oven compartment and allow to rest on bottom of oven.

3. At the rear of the oven thermostat control located just behind the oven control panel, locate and remove the nut which secures the oven burner gas tube to the oven thermostat control using the 13 mm open end wrench. Remove the tube and ferrule from the oven thermostat control. Lift the tube away from the rear of the oven thermostat control.

4. At the rear of the oven compartment locate and remove three Phillips head screws which secure the oven burner gas tube mounting plate to the rear wall of the oven compartment.

5. Pull plate off of rear wall of oven compartment and towards front of oven. Feed the oven burner gas tube down through the black grommet in the burner box as you pull the plate towards the front of the oven to remove plate and oven burner gas tube.

6. Return the mounting plate and oven burner tube to Suburban Manufacturing, 676 Broadway, Dayton, TN 37321 to insure the claim for performing this work is processed and paid in a timely manner.

STEP #4: Install the replacement mounting plate oven burner gas tube supplied with the recall kit.

1. Carefully route the open end of the oven burner gas tube up through the hole and grommet in the burner box. Allow the excess tube to remain straight up through the hole in burner box.

2. From the outside rear of the oven, insert the plate through the opening in the rear outside wall of the oven. It will be necessary to slightly rotate the plate to allow entry through this opening.

3. When the plate is inserted so that it is inside the oven

compartment, align the three holes in plate with holes in back wall of oven and secure with three Phillips head screws.

4. Gently form a radius in the oven burner gas tube at the rear of the burner box to route the tube forward to the threaded opening in the rear of the oven thermostat control. **DO NOT ALLOW TUBE TO BEND SHARPLY.**

5. Insert the threaded nut onto the tube.

6. Insert the ferrule supplied with the recall kit over the end of the tube.

7. Push the tube into the threaded opening in the oven thermostat control.

8. Secure the nut.

STEP #5: Reassemble oven wrap, burner box, burner and door

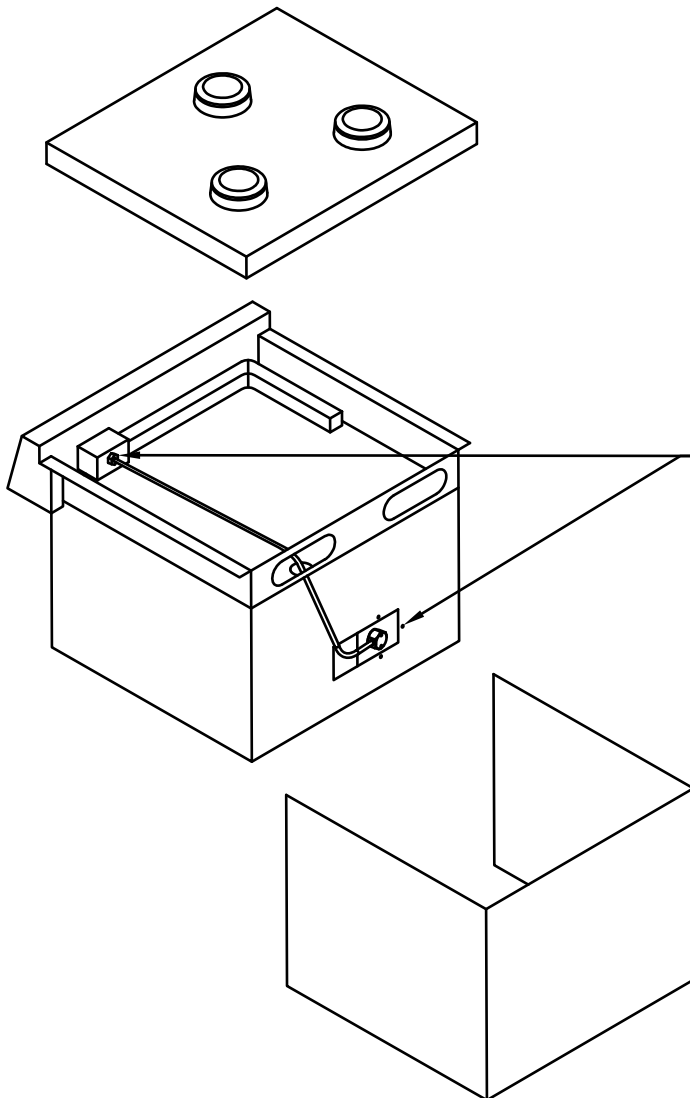
1. Reinstall oven wrap inside oven bottom.

2. Secure the screws on sides and rear of oven wrap.

3. Secure the screws through burner box into the oven wrap. Insure the ground ring terminal on right rear is secured under screw in right rear of burner box.

4. Reinstall the burner using the bolt removed at front of oven compartment. Insure the opening at the rear of the burner is placed over the orifice end of the oven burner gas tube at the rear of the oven.

5. Reinstall the door and remove the pins that are holding hinge open.



STEP #6: Reinstall unit into cutout opening.

1. Carefully place the appliance back into the opening from which it was removed.

2. Secure the screws in side flanges of burner box and the front frame bottom tabs.

3. Reinstall the gas supply line onto the fitting at rear of regulator in burner box.

STEP #7: Test the unit for operation.

1. Turn the gas supply on at the shut off valve or at the LP tanks.

2. Perform the necessary pressure drop check to insure no leakage.

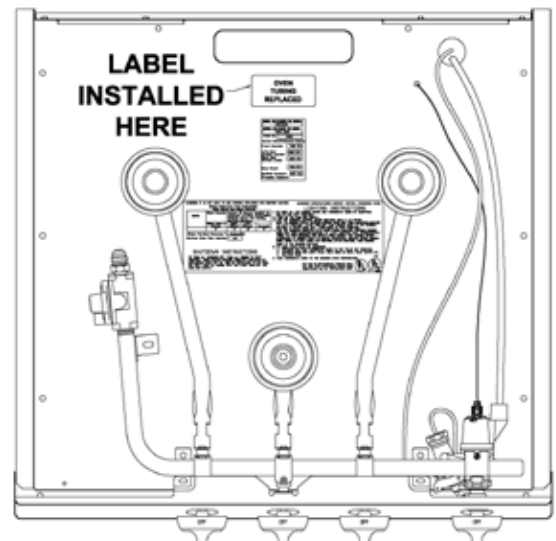
3. If the unit passes the pressure drop test, light the oven pilot.

4. When the pilot lights, turn the oven control knob to the LITE position and observe that the oven burner is lit.

5. Apply liquid leak detector to the nut which secures the oven burner gas tube to the oven thermostat control while the oven burner is operating and look for the presence of any bubbles forming which indicate presence of a leak. If a bubble is observed, turn off the oven burner and correct the leak. Repeat this process until no bubbles are observed.

6. Install the sticker which states "OVEN TUBE REPLACED" above the range's data plate and lighting instructions. This is located in the area between the 3 top burners.

7. Re-install range top to the appliance. If the top burners are equipped with piezo ignition, be sure the electrode wires are properly attached.





SUBURBAN MANUFACTURING COMPANY
 676 Broadway Street
 Dayton, Tennessee 37321
 423-775-2131
 www.rvcomfort.com

WARRANTY SERVICE CLAIM FORM
Recall # 10E-035
PLEASE RETURN REPLACED PART WITH CLAIM FORM

ALL SHADED AREAS MUST BE FILLED IN WITH THE CORRECT INFORMATION!

SERVICE COMPANY	TELEPHONE NO.
ADDRESS	
CITY AND STATE	ZIP CODE

DISTRIBUTOR	TELEPHONE NO.
ADDRESS	
CITY AND STATE	ZIP CODE

CUSTOMER NAME	TELEPHONE NO.
ADDRESS	
CITY AND STATE	ZIP CODE

APPLIANCE MODEL NUMBER:	
SERIAL NUMBER:	
PURCHASE DATE:	
VEHICLE MANUFACTURER:	VEHICLE MODEL:
VEHICLE ID NUMBER:	

DATE SERVICE REQUESTED:	TIME IN:	TIME OUT:	ELAPSED TIME:	DATE SERVICE COMPLETED:
-------------------------	----------	-----------	---------------	-------------------------

PERFORMED RECALL NUMBER: **10E-035**
Please return replaced part with claim form.
 Replace gas tube/orifice holder. Leak Test

PARTS USED FOR REPAIR	
PART NUMBER	DESCRIPTION
521053	Field replacement kit for oven burner gas tube - Short Oven
521054	Field replacement kit for oven burner gas tube - Long Oven

FLAT RATE TIME: 1 hr
 LABOR AMOUNT: \$ _____
 TOTAL: \$ _____

TECHNICIAN SIGNATURE _____ DATE _____

CUSTOMER SIGNATURE/COMPANY NAME _____ DATE _____
 IF NOT ORIGINAL APPLIANCE OWNER



676 Broadway Street
Dayton, Tennessee 37321
Phone 423-775-2131 • Fax 423-775-7015
www.rvcomfort.com