



## Safety Recall: Accord, Civic, and Element Ignition Switch Key Interlock

### BACKGROUND

Under certain conditions, the interlock lever of the ignition switch may unexpectedly deform. The interlock ensures the transmission is in Park before the ignition key can be removed. Interlock failure may allow the ignition key to be removed when the shift lever is not in Park. If the driver fails to engage the parking brake, the vehicle could roll away, increasing the risk of a crash.

### VEHICLES AFFECTED

#### 2003 Accord 2-door –

From VIN 1HGCM7...3A000039 thru  
1HGCM7...3A037448

From VIN 1HGCM8...3A000037 thru  
1HGCM8...3A038170

#### 2003 Accord 4-door –

From VIN 1HGCM5...3A000028 thru  
1HGCM5...3A147378

From VIN 1HGCM6...3A000030 thru  
1HGCM6...3A104253

From VIN 3HGCM5...3G700010 thru  
3HGCM5...3G713869

#### 2003 Civic 2-door –

From VIN 1HGEM2...3L038931 thru  
1HGEM2...3L088293

#### 2003 Civic 4-door –

From VIN 1HGEN2...3L000033 thru  
1HGEN2...3L000452

From VIN 1HGES1...3L021760 thru  
1HGES1...3L038440

From VIN 1HGES2...3L021580 thru  
1HGES2...3L038020

From VIN 2HGES1...3H545697 thru  
2HGES1...3H627468

From VIN 2HGES2...3H542947 thru  
2HGES2...3H627257

#### 2003 Element –

From VIN 5J6YH1...3L000001 thru  
5J6YH1...3L022397

From VIN 5J6YH2...3L000046 thru  
5J6YH2...3L054401

#### 2004 Element –

From VIN 5J6YH1...4L000001 thru  
5J6YH1...4L016571

From VIN 5J6YH2...4L000002 thru  
5J6YH2...4L039857

Not all vehicles within the VIN ranges are affected by this recall. Before beginning work on a vehicle, verify its eligibility by checking at least one of these items:

- The customer has a notification letter.
- The vehicle is shown as eligible on a VIN status inquiry.

In addition, check for a punch mark above the seventh character of the engine compartment VIN. A punch mark in that location means the ignition switch key interlock has already been inspected/repaired.

Some vehicles affected by this campaign may be in your used vehicle inventory. As a matter of federal law, these vehicles **must** be repaired before they are sold.

Should a dealership sell an unrepaired vehicle that subsequently causes an injury or damage because of the recalled item, the dealership will be solely responsible to the damaged party, and will be required to defend and indemnify American Honda for any resulting claims. To see if a vehicle in inventory is affected by this campaign, do a VIN status inquiry before selling it.

### CUSTOMER NOTIFICATION

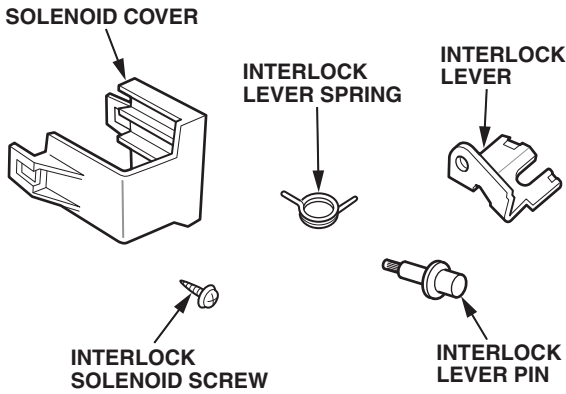
All owners of affected vehicles will be sent a notification of this campaign. An example of the customer notification is at the end of this service bulletin.

### CORRECTIVE ACTION

Inspect the ignition switch and, if needed, install a Key Interlock Repair Kit.

**PARTS INFORMATION**

Key Interlock Repair Kit: P/N 06351-SDA-000



**REQUIRED SPECIAL TOOLS**

Interlock Slide Hammer: T/N 07AAC-S84A100

**NOTE:**

- An initial quantity of Permalube grease to lubricate the sliding surface of the interlock lever is included with the slide hammer. To order more Permalube, use P/N 08734-0030.
- To order a replacement clamping bolt for the slide hammer, use T/N 07AAC-S84A400.

**WARRANTY CLAIM INFORMATION**

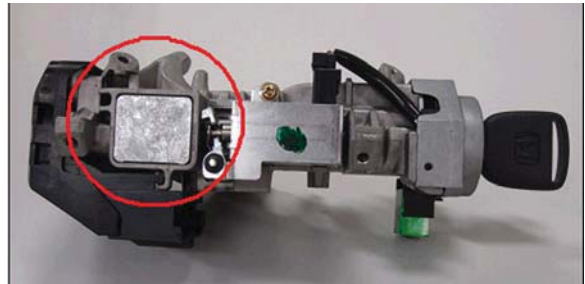
OP#	Description	FRT
7255A1	Inspect the ignition switch.	0.2
A	Add for installing a key interlock repair kit.	0.1

Failed Part: P/N 35100-SDA-A31  
 Defect Code: 5GC00  
 Symptom Code: R4400  
 Skill Level: Repair Technician

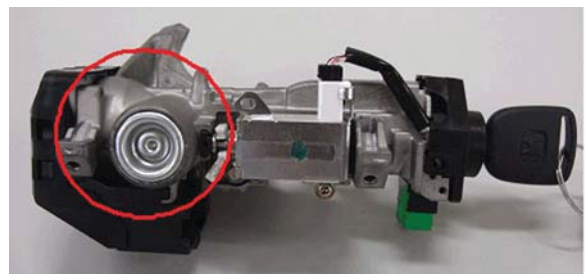
**INSPECTION PROCEDURE**

1. Remove the steering column covers. Refer to section 17 of the appropriate service manual.
2. On the lower side of the ignition switch, look at the interlock cylinder cover:
  - If the cover is square, the ignition switch was already replaced with an updated part, and a key interlock repair kit is not needed. Go to step 3.
  - If the cover is round, go to REPAIR PROCEDURE.

**REPAIR NOT NEEDED**

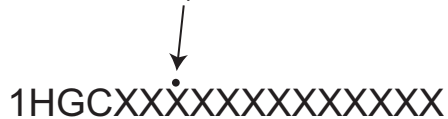


**REPAIR IS NEEDED**



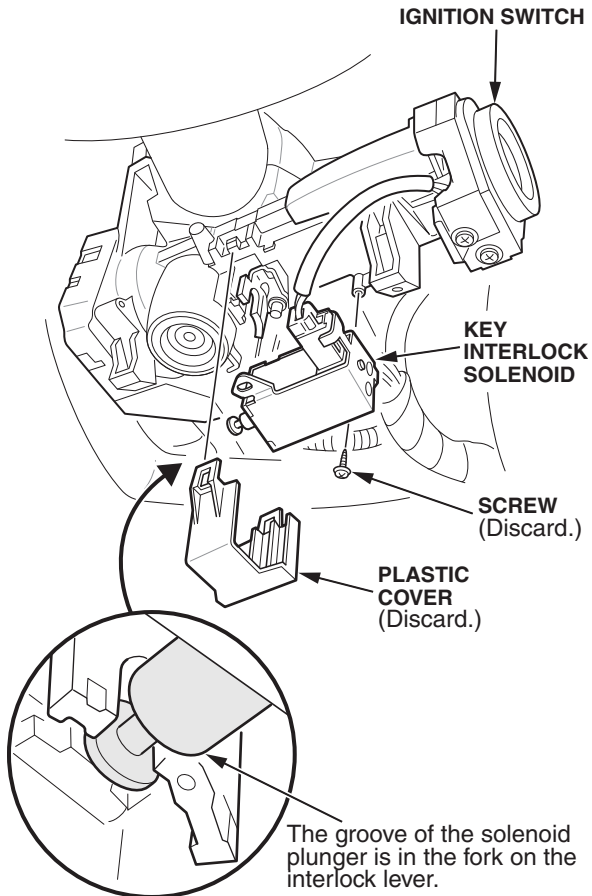
3. Reinstall the steering column covers.
4. Center-punch a completion mark above the seventh character of the engine compartment VIN.

Center-punch here.



## REPAIR PROCEDURE

1. Remove and discard the plastic cover from the ignition switch key interlock solenoid.

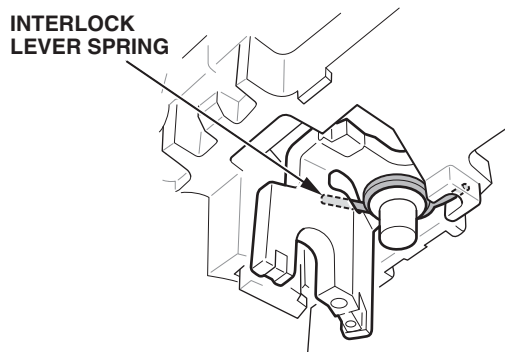


2. Note the position of the interlock solenoid plunger; you'll need to install it the same way.
3. Remove the screw from the solenoid, but keep the solenoid attached to its electrical connector. Discard the screw.

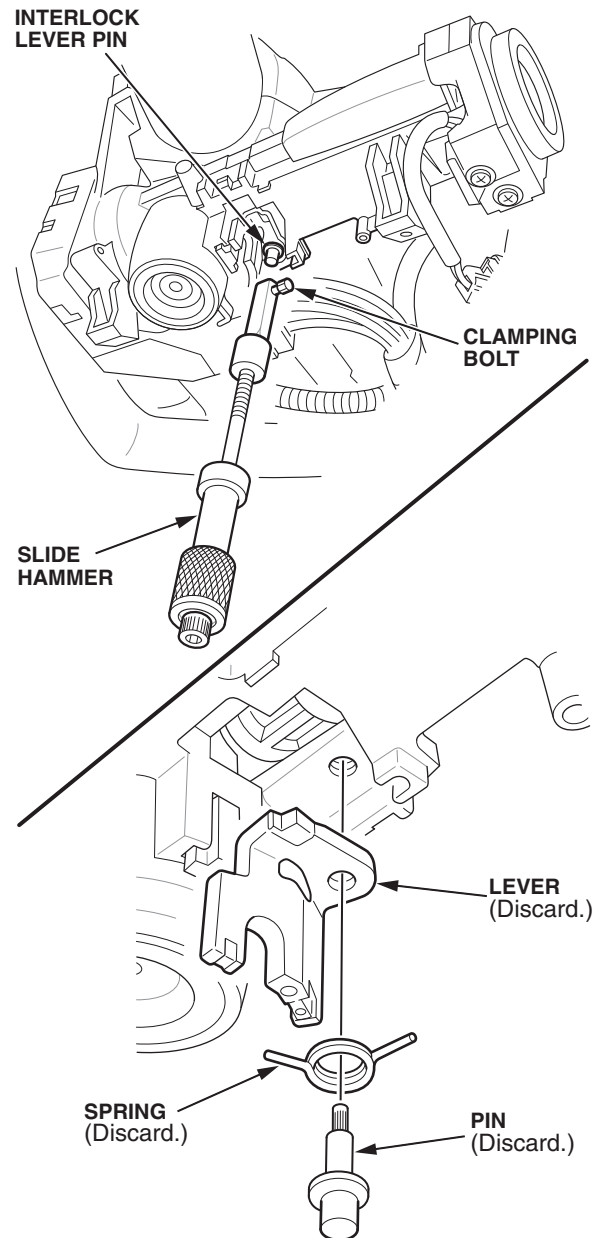
### NOTE:

- Be careful not to lose the solenoid plunger; it slides out easily.
- Keep the plunger free of dirt and grease while it's removed from the solenoid.

4. Note the position of the interlock lever spring; you'll need to install the new spring the same way.

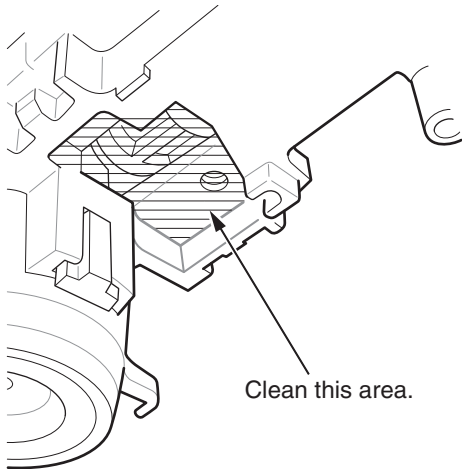


5. Attach the slide hammer to the interlock lever pin, and tighten the slide hammer clamping bolt. Then use the slide hammer to remove the pin. Discard the pin, the lever, and the spring.

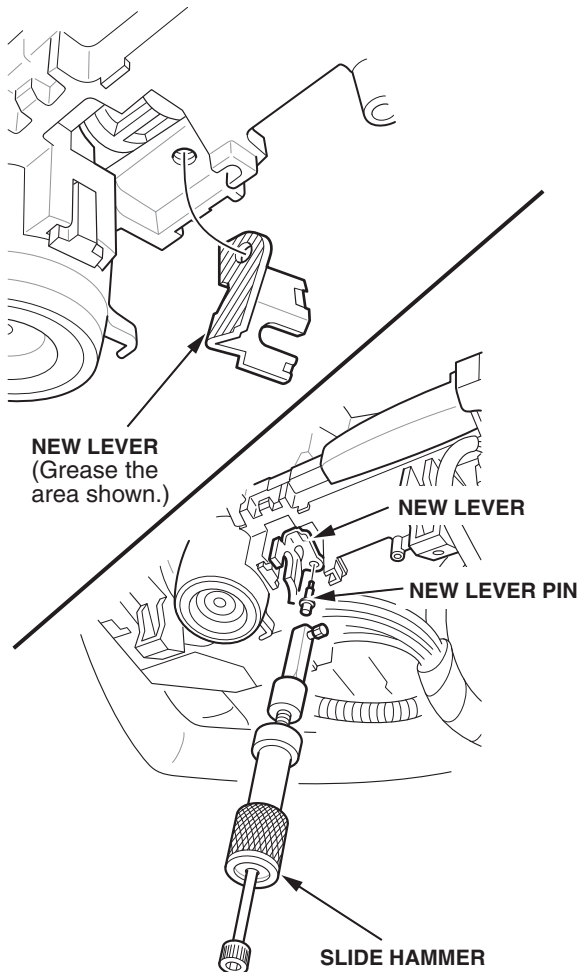


- Wipe off any debris from the lever's sliding surface on the ignition switch with a clean cloth or a cotton swab.

NOTE: To keep debris out of the ignition switch, do not clean it with compressed air.

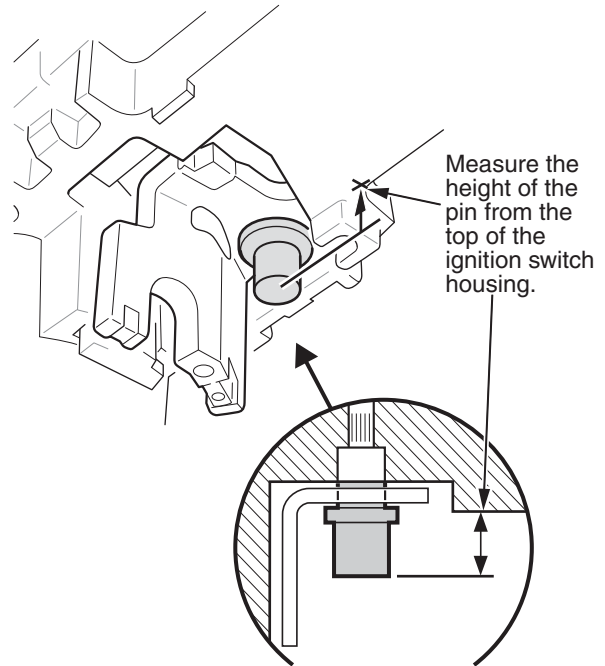


- Apply a small amount of Permalube grease to the base of the new lever. Then attach the slide hammer to the new lever pin, insert the lever into the ignition switch, and seat the pin with the slide hammer.



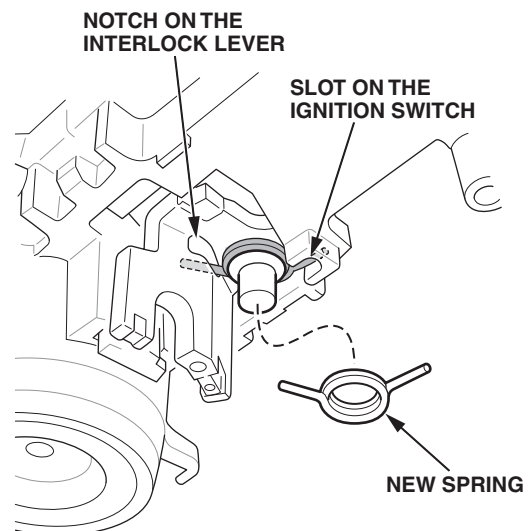
- Check the installed height of the pin with vernier calipers. If the height is more than 5.0 mm, the pin is not seated. If needed, reattach the slide hammer, and seat the pin.

NOTE: It's normal for the interlock lever to be loose, even when the pin is fully seated.

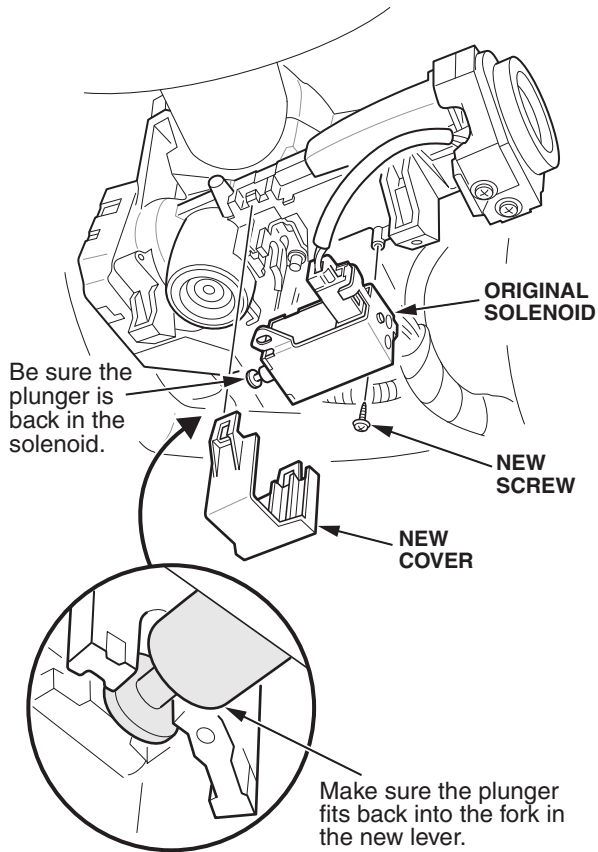


- Install a new spring on the lever. Make sure you attach the ends of the spring correctly:

- The right end goes into the slot on the ignition switch.
- The left end goes behind the notch on the interlock lever.
- Once the spring is correctly installed, make sure the lever moves freely and returns properly.



10. Insert the plunger into the interlock solenoid, then install the solenoid using a new screw. Make sure the groove of the solenoid plunger is in the fork on the lever.



11. Install a new plastic cover on the interlock solenoid.
12. Check the operation of the ignition switch key interlock:
  - Set the parking brake, and turn the ignition switch to ON (II).
  - While pressing the brake pedal, shift the transmission to Neutral.
  - Try turning the ignition switch to LOCK (0)
    - If you *cannot* turn the switch to LOCK (0), your repair was successful; go to step 15.
    - If you *can* turn the switch to LOCK (0), the interlock is not working; go to step 13.
13. Remove the solenoid cover, and make sure the solenoid plunger groove is installed in the fork on the lever.
  - If needed, correct the position of the solenoid plunger, then go to step 14.
  - If the solenoid plunger is correctly installed, there is an electrical problem with the key interlock system; refer to the Automatic Transmission section of the appropriate service manual for troubleshooting information. Once the key interlock is working normally, go to step 14.
14. Install the solenoid cover.

15. Reinstall the steering column covers.
16. Center-punch a completion mark above the seventh character of the engine compartment VIN.

Center-punch here.

1HGCXXXXXXXXXXXXXXX

*Example of Customer Letter*

October 2010

**Safety Recall: Ignition Key Can Be Removed When Shifter Lever Is Not in Park**

Dear Honda Owner:

This notice is sent to you in accordance with the requirements of the National Traffic and Motor Vehicle Safety Act.

**What is the reason for this notice?**

Honda has decided that a defect which relates to motor vehicle safety exists in certain 2003 model year Accord and Civic vehicles and 2003–04 model year Element vehicles equipped with an automatic transmission. Under certain conditions, the interlock lever of the ignition switch may unexpectedly deform. The interlock ensures the transmission is in Park before the ignition key can be removed. Interlock failure may allow the ignition key to be removed when the gear selector lever is not in Park. If the driver fails to engage the parking brake, the vehicle could roll away, increasing the risk of a crash.

**What should you do?**

Call any authorized Honda dealer and make an appointment to have your vehicle repaired. The dealer will remove the original interlock pin and lever within the ignition switch and replace them with new, redesigned components, free of charge. Please plan to leave your vehicle for half a day to allow the dealer flexibility in scheduling.

**Who to contact if you experience problems.**

If you are not satisfied with the service you receive from your Honda dealer, you may write to:

American Honda Motor Co., Inc.  
 Honda Automobile Customer Service  
 Mail Stop 500-2N-7A  
 1919 Torrance Blvd.  
 Torrance, CA 90501-2746

If you believe that American Honda or the dealer has failed or is unable to remedy the defect in your vehicle, without charge, within a reasonable period of time (60 days from the date you first contact the dealer for a repair appointment), you may submit a complaint to:

Administrator  
 National Highway Traffic Safety Administration  
 1200 New Jersey Ave., SE  
 Washington, DC 20590

Or call the toll-free Safety Hotline at 888-327-4236 (TTY 800-424-9153), or go to <http://www.safercar.gov>.

**What to do if you feel this notice is in error.**

Our records show that you are the current owner or lessee of a 2003 Accord or Civic or 2003–04 Element involved in this campaign. If this is not the case, or the name/address information is not correct, please fill out and return the enclosed, postage-paid Information Change Card. We will then update our records.

If you previously paid to have the ignition interlock replaced, you may be eligible for reimbursement. Refer to the attached Instructions for Reimbursement for the eligibility requirements and the reimbursement procedure.

**Lessor Information.**

Federal law requires that any vehicle lessor receiving this recall notice must forward a copy of this notice to the lessee within 10 days.

**If you have questions.**

If you have any questions about this notice, or need assistance with contacting a Honda dealer, please call Honda Automobile Customer Service at 800-999-1009, and select option 4.

We apologize for any inconvenience this campaign may cause you.

Sincerely,

**American Honda Motor Co., Inc.  
Honda Automobile Division**



October 1, 2010

Dear Service Manager:

Honda has announced a safety recall campaign for certain 2003 Accords, 2003 Civics, and 2003–04 Elements. Under certain conditions, the interlock lever of the ignition switch may unexpectedly deform. The interlock ensures the transmission is in Park before the ignition key can be removed. Interlock failure may allow the ignition key to be removed when the shift lever is not in Park. If the driver fails to engage the parking brake, the vehicle could roll away, increasing the risk of a crash.

**Repair Strategy**

The repair is to inspect the ignition switch and, if needed, install a key interlock repair kit. For repair, parts, and warranty information, refer to Service Bulletin 10-059, *Safety Recall: Accord, Civic, and Element Ignition Switch Key Interlock*.

Some vehicles affected by this campaign may be in your used vehicle inventory. As a matter of federal law, these vehicles must be repaired before they are sold. Should a dealership sell an unrepaired vehicle that subsequently causes an injury or damage because of the recalled item, the dealership will be solely responsible to the damaged party, and will be required to defend and indemnify American Honda for any resulting claims.

To see if a vehicle is affected by this campaign, make sure the customer has a notification letter or do a VIN status inquiry. In addition, check for a punch mark above the seventh character of the engine compartment VIN. A punch mark in that location means this campaign has already been completed.

**Customer Notification**

Affected vehicle owners will be mailed a notification of this campaign within the next several weeks. An example of the customer notification is at the end of S/B 10-059.

**Parts Information**

Key interlock repair kits are available through open ordering.

Sincerely,

**American Honda Motor Co., Inc.**  
**Honda Automobile Division**