

Recall Bulletin 10519FRV



RECALL BULLETIN:
10519FRV

YEAR(S) AFFECTED:
2010

PRODUCT(S) AFFECTED:

Discovery, manufactured 11/25/2009 through 1/8/2010, and equipped with Option 201, Hide-A-Bed Sofa

MODEL(S) AFFECTED:
G, X

SUBJECT:
Inspection/Correction of Sofa Seat belt Installation

KEYWORDS:
Seat, Sofa, Seat Belt, Safety Belt

ISSUE DATE:
June 2010

©2010 Fleetwood RV, Inc.

The purpose of this Bulletin is to inform all Fleetwood dealers about the need to inspect, and if necessary, reinstall seat belts to a floor-mounted location.

CONDITION:

Some units with the Option 201 Hide-A-Bed sofa may have inadequately-mounted seat belts.

INSPECTION:

Follow the steps below to inspect the sofa seat belts, and if necessary, reinstall them to a floor-mounted location.

1. Extend the sofa bed as required to visually inspect the sofa seat belts and sofa mounting configuration and hardware:
 - a. If the seat belts are mounted to the floor, no further action is necessary and this Bulletin is complete.
 - b. If the seat belts are fastened to the underside of the sofa, and the sofa is secured with 7/16-20 Grade 5 bolts, no further action is necessary and this Bulletin is complete.
 - c. If the seat belts are fastened to the underside of the sofa, and the sofa is attached to the floor with screws, the seat belts will need to be removed and reinstalled to attachment plates in the floor; continue to CORRECTION, Step 2.

CORRECTION:

Follow the steps below to remove and reinstall the seat belts to attachment plates in the floor, if determined necessary in Step 1.

2. Remove and discard the screws and washers fastening the sofa to the floor. Move the sofa away from the slide-out sidewall to allow adequate working space. Cover the upholstery to protect it while repairs are performed.
3. Remove and discard the screws fastening the seat belts to the sofa frame.

This bulletin is supplied for technical information only and is not an authorization for repairs.

Federal law (section 154 of the national traffic and motor vehicle safety act of 1966) requires that: If you have received a notice of recall or failure to comply from Fleetwood or any component Manufacturer, you must repair or otherwise correct the defects on vehicles remaining in your inventory, according to the notification, before selling or leasing the vehicles. Any vehicle lessor receiving this recall notice must forward a copy of the notice to the lessee within ten days.

"It is impossible to know, evaluate and advise the service trade of all conceivable ways in which service might be done or of the possible hazardous consequences of each way. Accordingly, anyone who uses a service procedure or tool must first assure that neither personal safety nor vehicle safety will be jeopardized by the selected service methods."

4. Using Figure 1 as a reference, locate the attachment plates (with threaded hole) needed to anchor the seat belts to the floor.
 - a. Measure 3 ½" in from the inside of the slide-out sidewall. This is the approximate center-line for the attachment plates.
 - b. Use a tool to pierce through the carpet and plywood to locate the seat belt attachment plates.

NOTE:

- Each pair of seat belt attachment plates is spaced 7" apart.
- Model 40G has three pairs of seat belt attachment plates (total of 6); Model 40X has two pairs of seat belt attachment plates (total of 4).

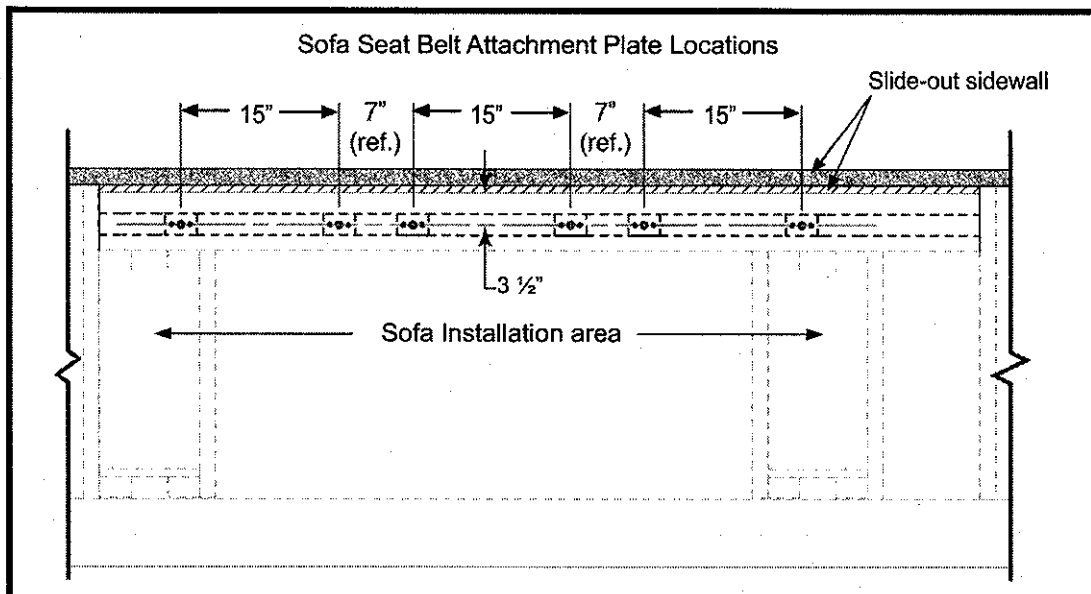


Figure 1

CAUTION

USE CARE TO AVOID CUTTING THE STRUCTURAL ALUMINUM IN THE FLOOR.

5. Route a 1-3/8" diameter hole into the plywood floor at each location identified in Figure 1, exposing the threaded holes in the attachment plates. Set depth stop and use extreme care to avoid cutting into the aluminum tube supporting the floor.
6. Remove and discard the cut material and any debris, then thread a 7/16"-20NF bolt into the floor to clean the threads for all locations.

This bulletin is supplied for technical information only and is not an authorization for repairs.

Federal law (section 154 of the national traffic and motor vehicle safety act of 1966) requires that: If you have received a notice of recall or failure to comply from Fleetwood or any component Manufacturer, you must repair or otherwise correct the defects on vehicles remaining in your inventory, according to the notification, before selling or leasing the vehicles. Any vehicle lessor receiving this recall notice must forward a copy of the notice to the lessee within ten days.

"It is impossible to know, evaluate and advise the service trade of all conceivable ways in which service might be done or of the possible hazardous consequences of each way. Accordingly, anyone who uses a service procedure or tool must first assure that neither personal safety nor vehicle safety will be jeopardized by the selected service methods."

7. Mount each of the seat belts, removed in Step 3, to the floor at the locations identified in Figure 1. Secure each with a 7/16-20 NF bolt, a 7/16" lock washer, and two 7/16" flat washers (included with the Recall kit), using the stacking order shown in Figure 2. Torque each bolt to 30-35 ft-lbs.

NOTE:

- Verify the seat belt bracket is oriented so when installed its angled end will point toward the sofa.
 - Hand-start each bolt to avoid cross-threading.
 - Kit contains hardware for mounting three pairs of seat belts. All will be required if repairing Model 40G; two bolts, two lockwashers, and four flat washers will be left over if repairing Model 40X.
8. Reposition the sofa near its original mounting location, except shift it approximately 1/2" towards the inside of the motor home to allow installation of new fastening hardware.

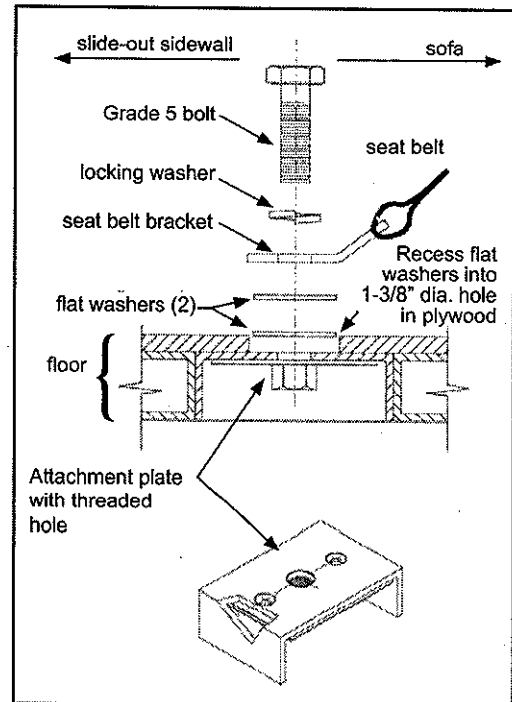


Figure 2

IMPORTANT NOTE:
VERIFY THAT THE NEW FASTENERS ARE INSTALLED INTO THE ALUMINUM STRUCTURAL TUBE IN THE FLOOR.

9. Using the holes in the sofa frame as a pattern, pilot drill new 1/8" diameter holes for #10 screws through the floor and into the structural aluminum supporting the floor.
10. Using a right angle driver, fasten the sofa into place with new #10 screws and 1/4" flat washers (provided with the Kit). Verify the screws pass through the holes in the sofa frame and into the pilot holes in the floor. Use care to avoid stripping the screws. Tighten all screws. Verify that the sofa is secured to the floor and structural aluminum at all attachment points. See Figure 3.
11. Clean up the area and position the seat belts on the sofa cushions so they are ready for use.

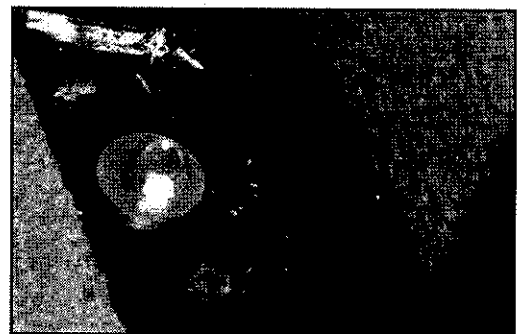


Figure 3

This bulletin is supplied for technical information only and is not an authorization for repairs.

Federal law (section 154 of the national traffic and motor vehicle safety act of 1966) requires that: if you have received a notice of recall or failure to comply from Fleetwood or any component Manufacturer, you must repair or otherwise correct the defects on vehicles remaining in your inventory, according to the notification, before selling or leasing the vehicles. Any vehicle lessor receiving this recall notice must forward a copy of the notice to the lessee within ten days.

"It is impossible to know, evaluate and advise the service trade of all conceivable ways in which service might be done or of the possible hazardous consequences of each way. Accordingly, anyone who uses a service procedure or tool must first assure that neither personal safety nor vehicle safety will be jeopardized by the selected service methods."

PARTS:

Part Number

Qty.

#580376 Kit, Recall 10519FRV, Discovery Seat Belts

1

Kit Contains:

- * Bolt, 7/16" x 1 1/4" HH Grade 5 Pltd (Qty. 6)
- * Washer, 7/16" Med Split Locking Pltd (Qty. 6)
- * Washer, 7/16" USS Flat Pltd (Qty. 12)
- † Screw, SHTML, #10 X 1 3/4 PPH Pltd (Qty. 4,)
- † Washer, 1/4" Flat (Qty. 8)

* for seat belt installation

† for sofa reinstallation

TOOLS:

Tarp

Power driver with bits

Tape measure

Awl, or power drill with bits

Router with bits

WARRANTY LABOR ALLOWANCE:

Recall 10519FRV, Discovery Seat belts, Models G & X

Flat Rate Codes:

6000-11

0.10 Hrs. Inspected/Not Defective

6000-12

3.00 Hrs. Inspected/Defective/Repaired

If you have any questions concerning this Bulletin, contact
Fleetwood RV Dealer Technical Support at:
1-800-816-9825

Fleetwood Service Literature is available at:
www.fleetwoodrvdealers.com

This bulletin is supplied for technical information only and is not an authorization for repairs.

Federal law (section 154 of the national traffic and motor vehicle safety act of 1966) requires that: if you have received a notice of recall or failure to comply from Fleetwood or any component Manufacturer, you must repair or otherwise correct the defects on vehicles remaining in your inventory, according to the notification, before selling or leasing the vehicles. Any vehicle lessor receiving this recall notice must forward a copy of the notice to the lessee within ten days.

"It is impossible to know, evaluate and advise the service trade of all conceivable ways in which service might be done or of the possible hazardous consequences of each way. Accordingly, anyone who uses a service procedure or tool must first assure that neither personal safety nor vehicle safety will be jeopardized by the selected service methods."