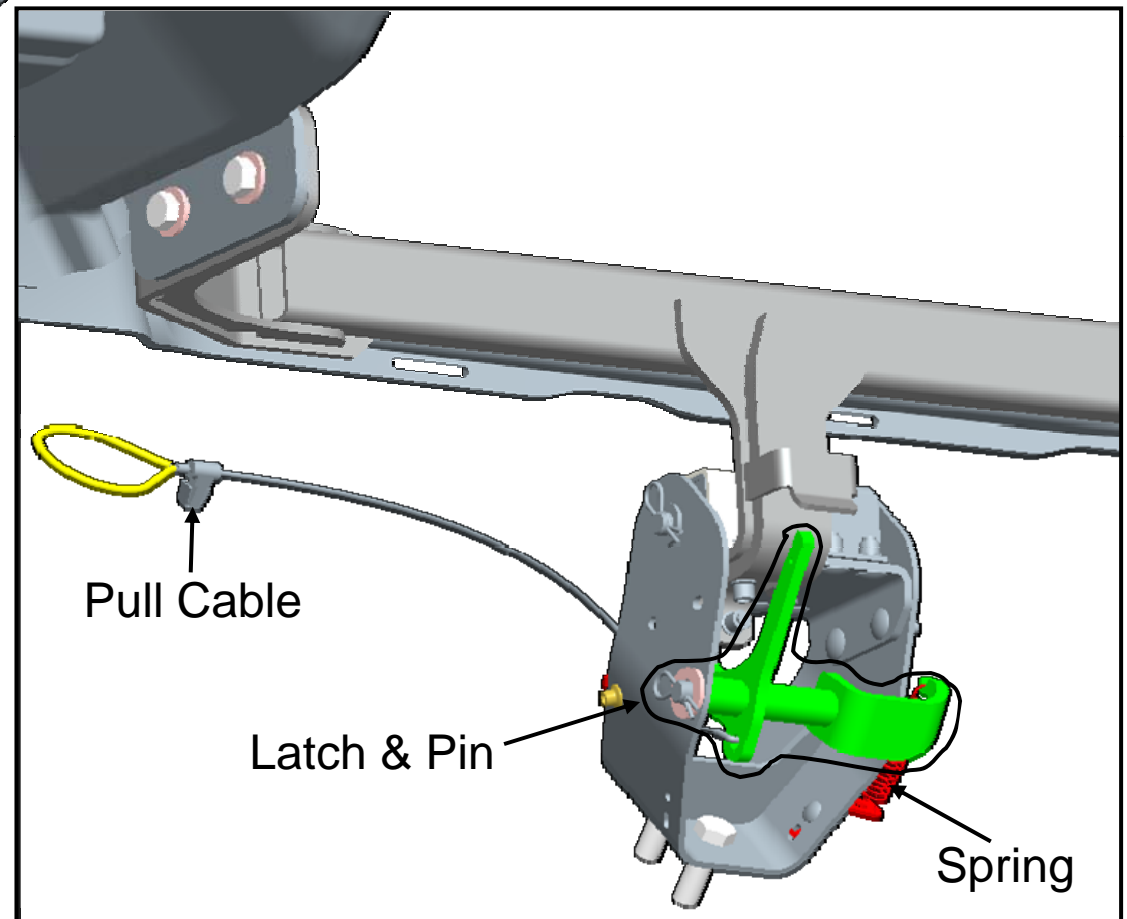
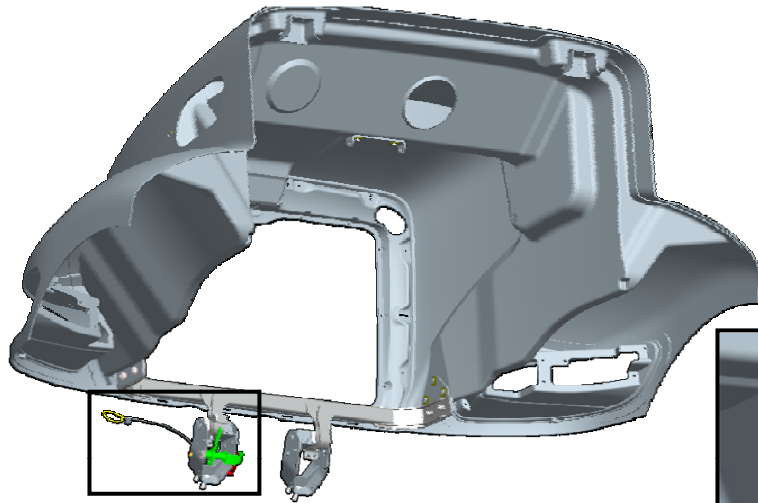


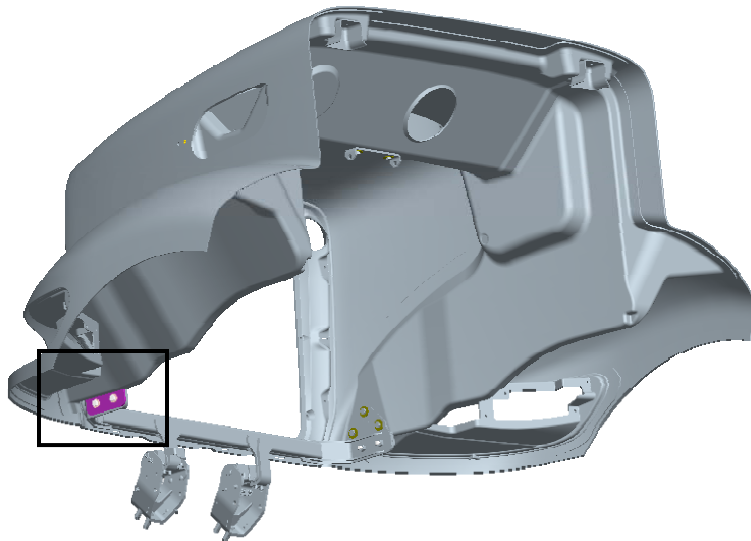
# Anti-Blow Down Parts Removed



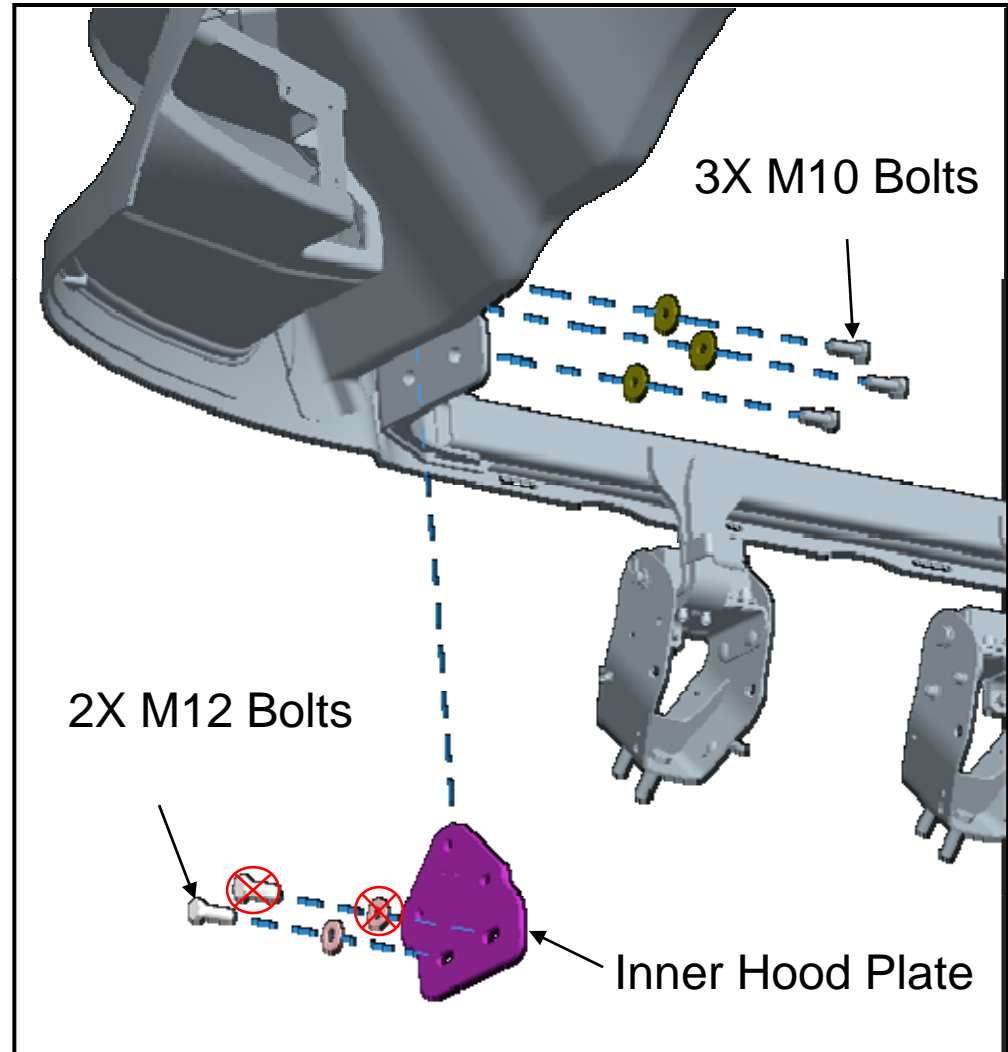
Remove the following:

1. Latch & Pin
2. Pull Cable
3. Spring

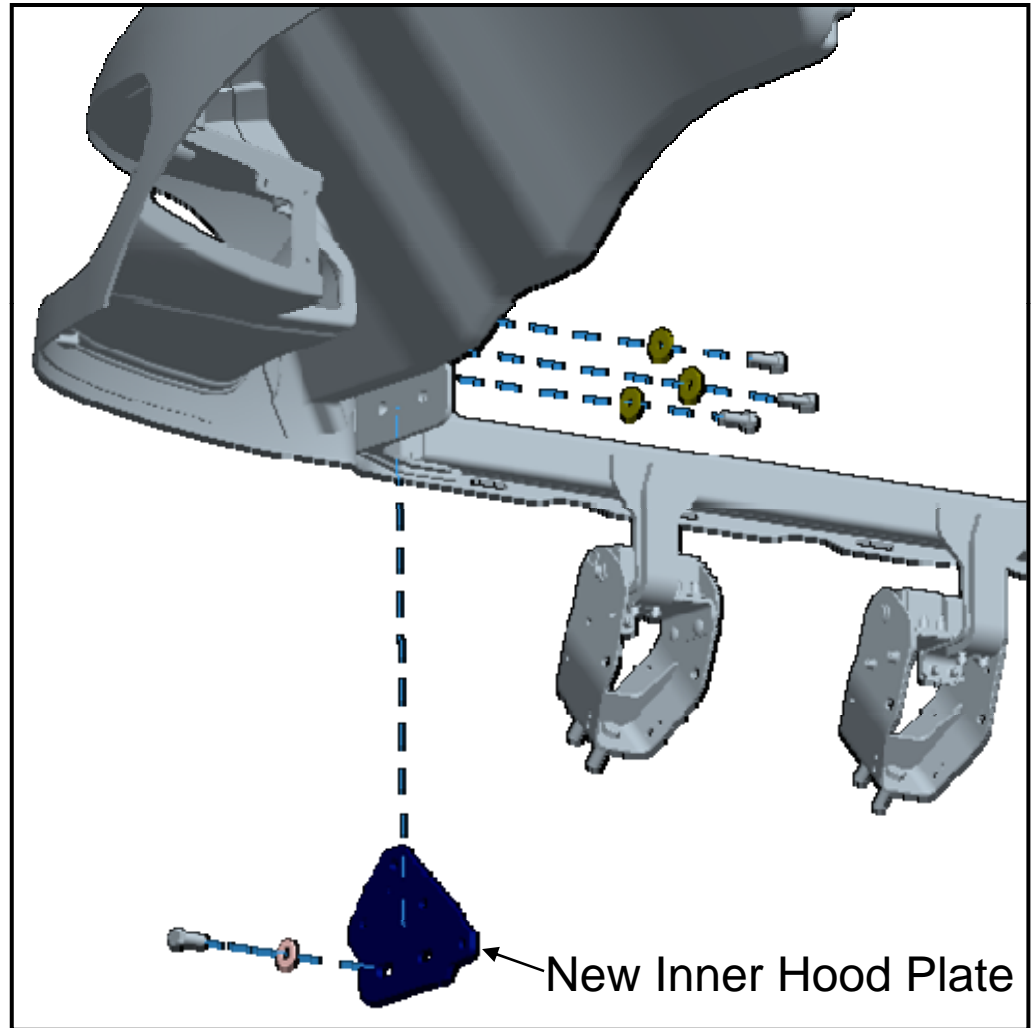
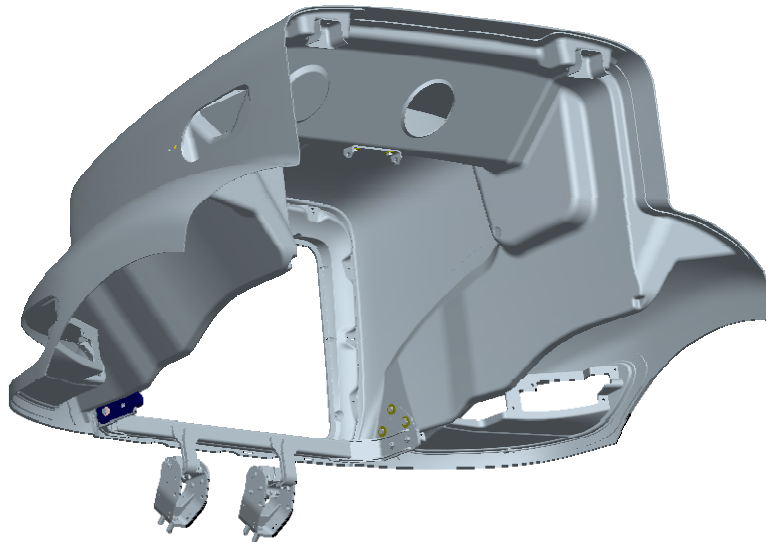
# Inner Hood Plate Swap



1. Remove Left Inner Hood Plate: L11-6206
2. Discard Rear M12 Bolt.
3. Reuse Front M12 Bolt and Washer.
4. Reuse M10 Bolts and Washers.

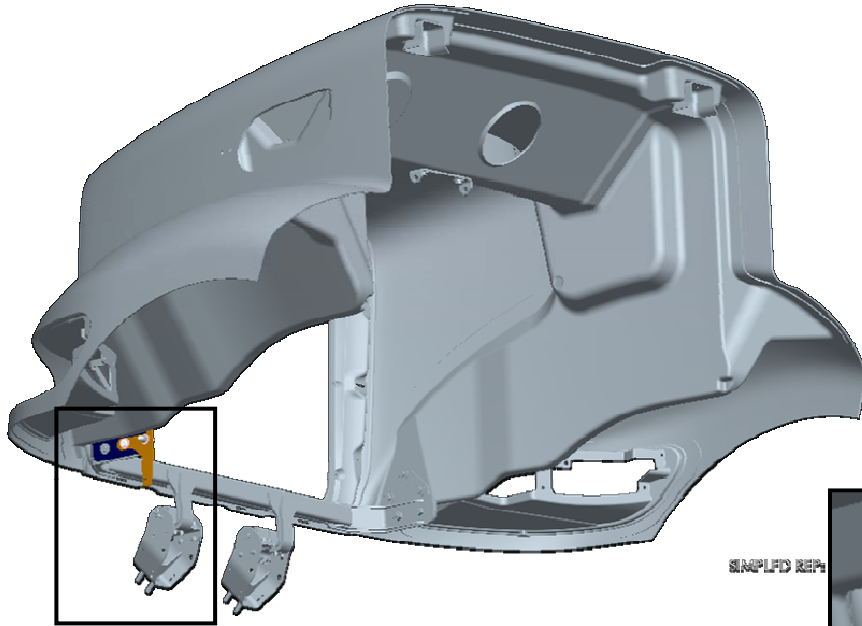


# Inner Hood Plate Swap



1. Insert New Left Inner Hood Plate: L11-6214
2. Install Front M12 Bolt and Washer.
3. Install M10 Bolts and Washers.

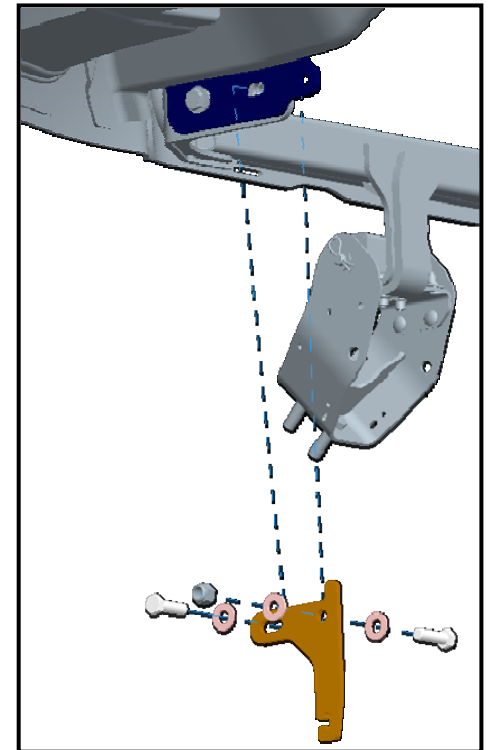
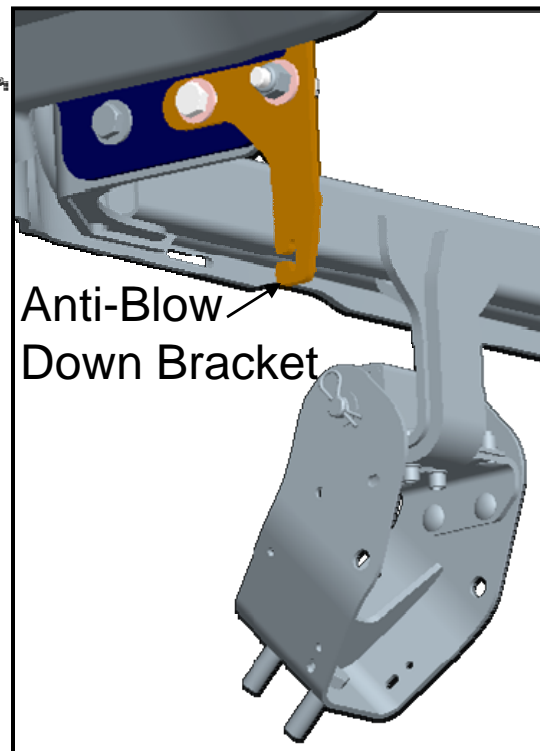
# Install New Bracket



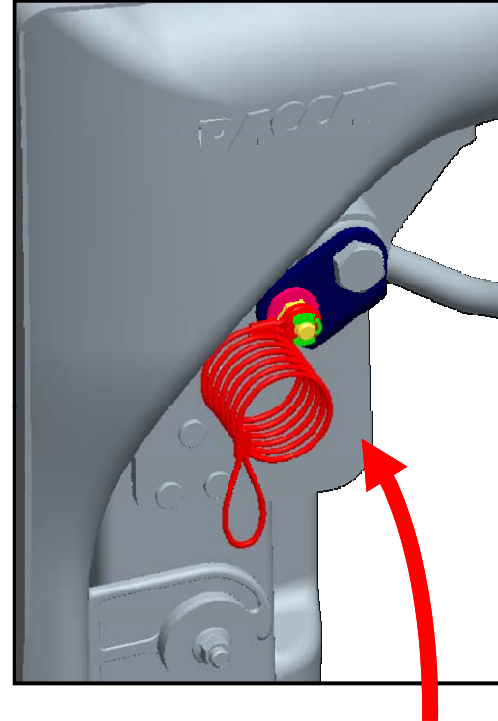
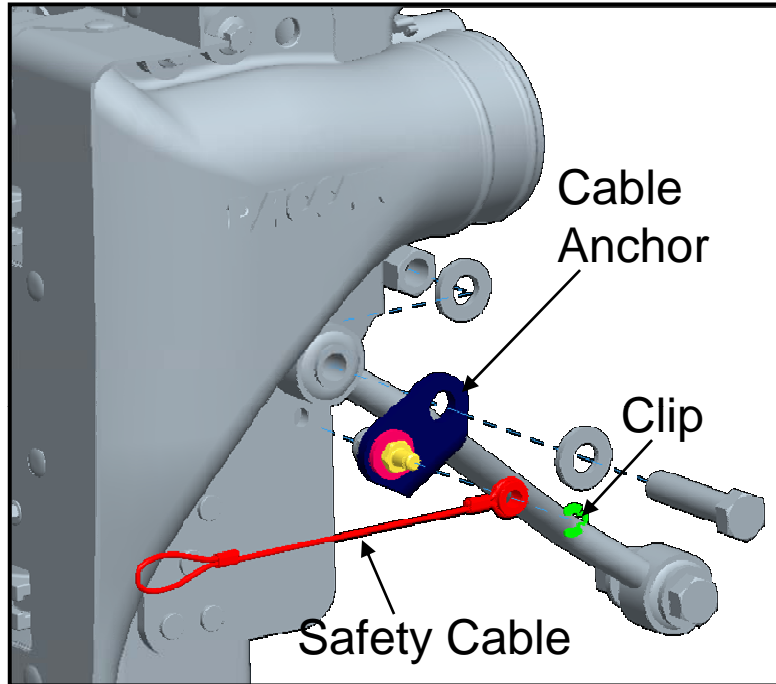
SIMPLIFIED REPRESENTATION

## 1. Install Anti-Blow Down Brkt: L11-6215

- 3 Washers: 27-00428-008
- 2 Bolts: 27-01117-040
- 1 Locknut: 27-01223-012



# Cable Anchor and Cable



- Cable Anchor: L03-6003
- Safety Cable: L92-6026-0300
- Clip: 5304-37
- Safety Sticker:A53-1001-5

