

## CERTAIN 2010 MODEL YEAR FUSION, MILAN, EXPLORER, MOUNTAINEER, AND SPORT TRAC VEHICLES EQUIPPED WITH FRONT SEAT MANUAL RECLINERS – FRONT SEAT MANUAL RECLINER REPLACEMENT

### **NEW !** OVERVIEW

The front seat manual recliner in some of the affected vehicles may have been improperly manufactured and may not meet the requirements of Federal Motor Vehicle Safety Standard (FMVSS) No. 202a – Head Restraints. In the event of a crash, the seatback and head restraint may move rearward further than allowed by FMVSS No. 202a, which may increase the risk of injury. Before demonstrating or delivering any of the vehicles involved in this recall, dealers are to replace the manual recliners for both power and manual seats identified in Attachment VI and VII. This will be accomplished by either replacing the inboard and outboard recliner for fold flat seats, or by replacing the backrest frame for non fold flat seats.

Fusion and Milan - Passenger Seat Recliner Replacement .....	Attachment III
Fusion and Milan - Driver Seat Backrest Frame Replacement .....	Attachment IV
Explorer, Mountaineer and Sport Trac - Driver and passenger Seat Backrest Frame Replacement .....	Attachment V

### SERVICE PROCEDURE – ATTACHMENT IV

#### FUSION AND MILAN - DRIVER SEAT BACKREST FRAME REPLACEMENT

**WARNING:** Never probe the electrical connectors on air bag, Safety Canopy® or side air curtain modules. Failure to follow this instruction may result in the accidental deployment of these modules, which increases the risk of serious personal injury or death.

**NOTE:** The air bag warning indicator illuminates when the correct Restraints Control Module (RCM) fuse is removed and the ignition switch is ON.

#### Removal

1. Push the release buttons on the head restraint guide sleeves and remove the head restraint.
2. **NOTE:** If equipped with a power seat, fully raise the seat to aid in bolt removal.  
Position the seat to gain access to all four seat track-to-floor bolts.
3. Depower the Supplemental Restraint System (SRS). For additional information, refer to the WSM, Section 501-20B, SRS Depowering Procedure.
4. Remove the four seat track-to-floor bolt covers and the bolts.
5. Lift the seat to disengage the two forward locators from the floor and tip the seat rearward to access the seat harness electrical connectors.



**6. NOTICE: Use care when disconnecting the seat harness electrical connector. Excessive force on the assurance lever can break the connector mounting.**

Disconnect the seat harness electrical connectors and remove the seat.

1. Slide and disengage the side air bag module electrical connector locking clip, release the tab and disconnect the side air bag module electrical connector.
2. Release the locking tab and rotate the assurance lever fully to disengage the seat harness electrical connector.
3. Disconnect the electrical connector.

## Disassembly

### All Seats

7. If equipped with manual height adjust, remove the handle cover and the screws. Pull outward on the handle to remove. See Figure 1.



**FIGURE 1**



8. Position the seat cushion away from the side shield. Remove and discard the manual recliner handle spring clip (See Figure 2). Remove and discard the manual recliner handle by pulling outward on the handle.



**FIGURE 2**

9. If equipped with manual lumbar, adjust the lumbar support to the fully relaxed position by turning the control knob clockwise. Using a suitable tool, remove and discard the control knob. See Figure 3.



**FIGURE 3**

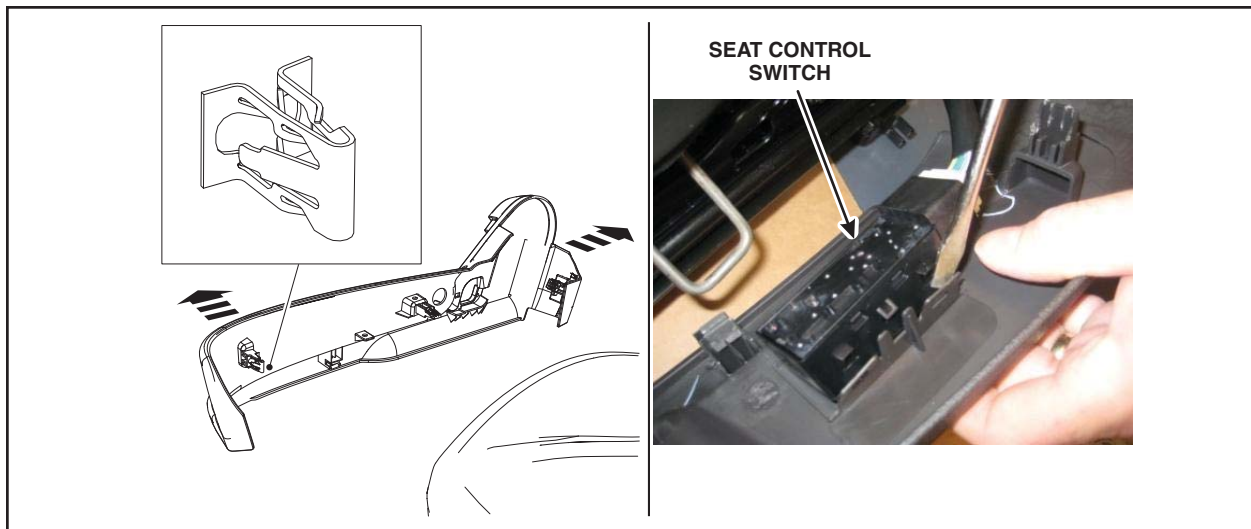


10. If equipped with a power seat, using a suitable trim tool, remove the seat control switch knob. See Figure 4.



**FIGURE 4**

11. Remove and discard the side shield from the seat cushion frame. See Figure 5.
1. Pull outward on the middle and the rear of the side shield. Carefully release the side airbag module wire harness locator from the side shield.
  2. Using a suitable tool, remove and discard any remaining side shield retainers from the seat cushion frame.
  3. If equipped with a power seat, disconnect the seat control switch electrical connector. Remove the seat control switch from the side shield.



**FIGURE 5**



12. Pull the seat cushion trim cover in toward the center of the seat and twist rearward to release the trim cover retaining pocket from the metal tab of the RH recliner. Separate the hook-and-loop from the safety belt buckle. See Figure 6.



FIGURE 6

13. **NOTE:** For proper routing during assembly, note the routing of the side air bag module wire harness and the pin-type retainers.

Release one of the seat cushion trim cover J-clips from the rear of the seat cushion frame. Disconnect the side air bag wire harness electrical connector and carefully release the three pin-type retainers using a suitable trim tool. See Figure 7.



FIGURE 7



## Seats Equipped With Manual Lumbar

14. **NOTICE: Make sure not to damage the manual lumbar control when drilling out the rivets. The manual lumbar control will be reused.**

**NOTE:** To help prevent the body of the rivet from spinning while drilling, hold the drill at a 45° angle on the head of the rivet and rotate the drill in a circular motion using short bursts.

Using a suitable trim tool, release the power seat wire harness pin-type retainer from the seat cushion frame. Use a low speed drill with a 13/64 in. (5 mm) drill bit and carefully drill off the heads of the two manual lumbar control retaining rivets. See Figure 8.

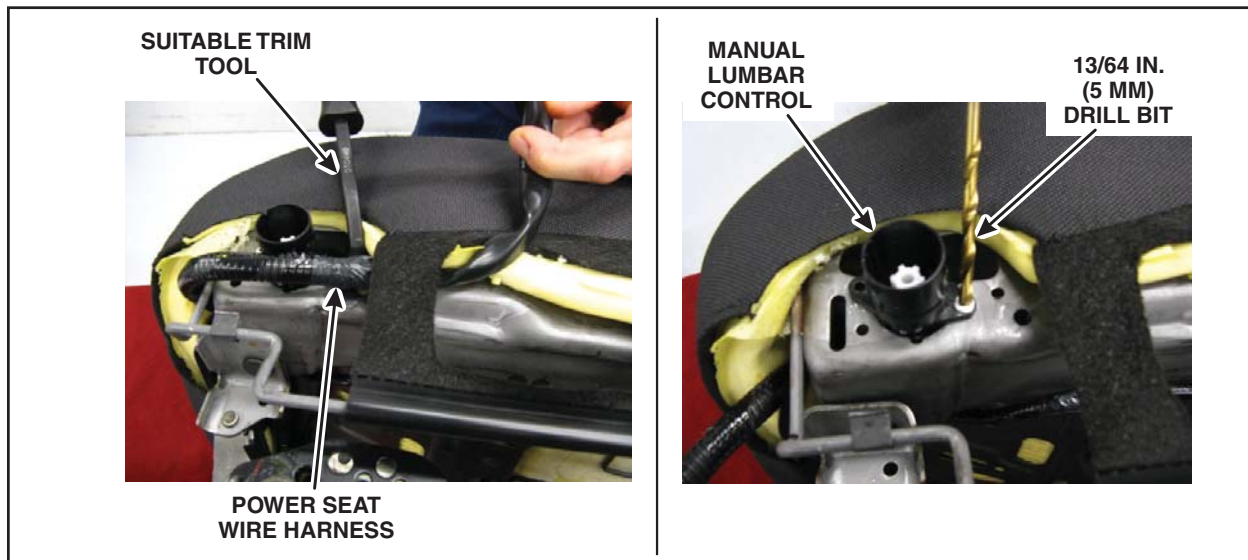


FIGURE 8

15. **NOTICE: Make sure not to damage the manual lumbar control when punching the rivet body through the seat cushion frame. The manual lumbar control will be reused.**

Using a 1/8 in. (3 mm) punch, carefully remove the rivet bodies from the manual lumbar control/seat cushion frame. See Figure 9.

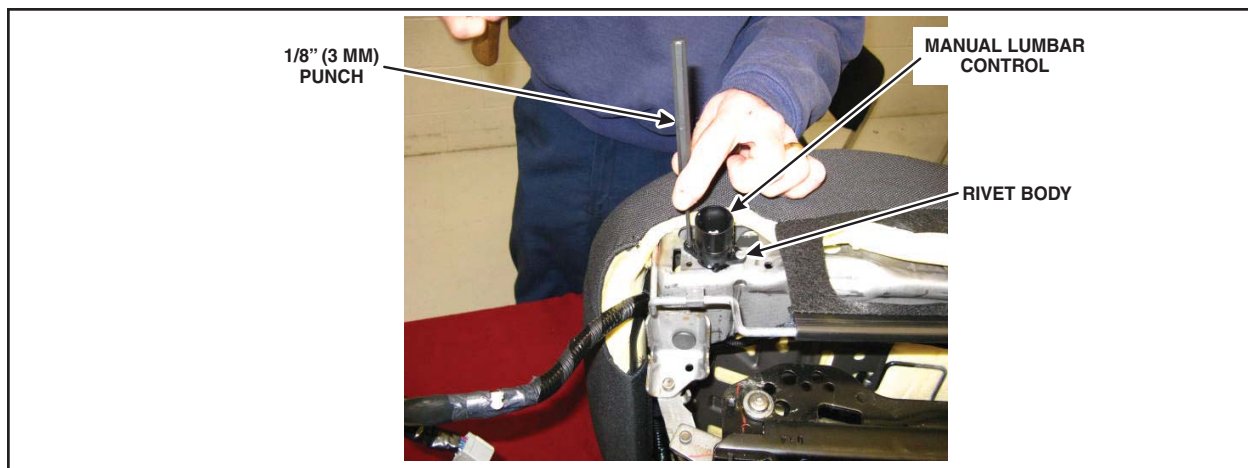
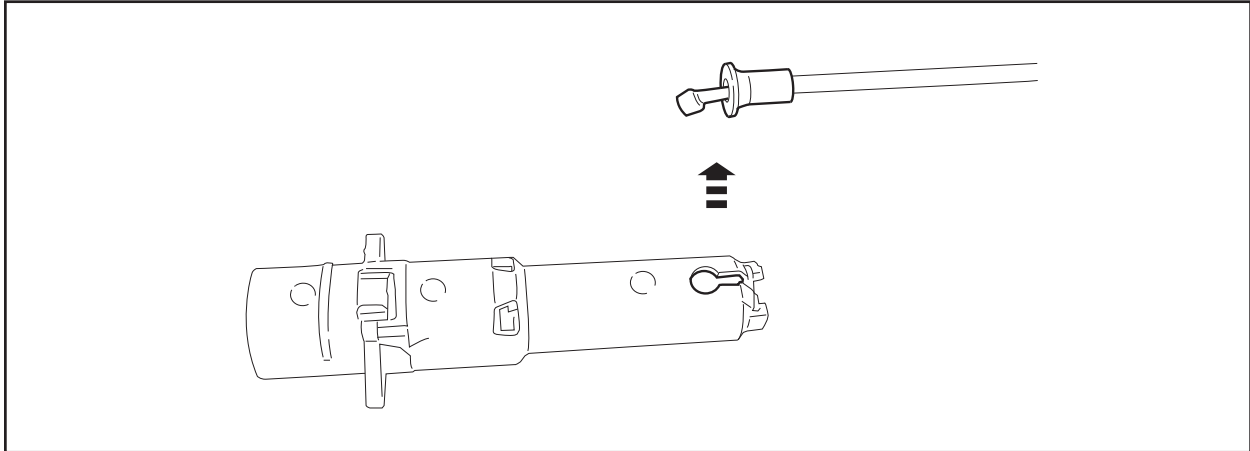


FIGURE 9



16. Disconnect the manual lumbar control from the cable. See Figure 10.



**FIGURE 10**

17. Using a low speed drill with a 1 1/64 in. (4.37 mm) drill bit, enlarge the manual lumbar control rivet holes for the installation of the **new** rivets.

18. **NOTE:** For proper routing during assembly, note the routing of the manual lumbar cable and the pin-type retainers.

Release and discard the manual lumbar cable pin-type retainers from the seat cushion frame.

### All Seats

19. Remove and discard the four recliner-to-seat cushion frame bolts and separate the seat backrest from the seat cushion frame. See Figure 11.

**NOTE:** RH side shown, LH side similar.



**FIGURE 11**



20. Remove and discard **both** of the head restraint guide sleeves by positioning a 3/16 in. (5 mm) flat-blade screwdriver at a 45° angle to the middle of the head restraint guide sleeve. Push inward and apply slight downward pressure to release the lock feature. See Figure 12.

**NOTE:** The seat backrest trim cover and foam pad are removed for clarity.

**NOTE:** Typical head restraint guide sleeve shown, others similar.

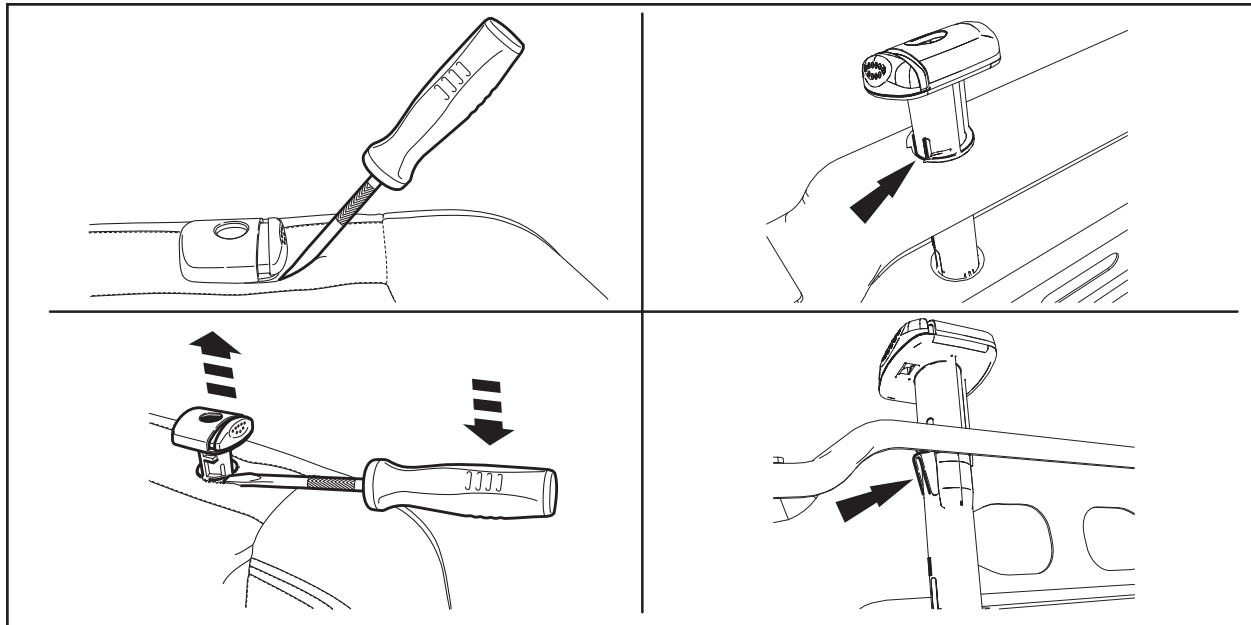


FIGURE 12

21. **WARNING:** Always carry or place a live air bag module with the air bag and deployment door/trim cover/tear seam pointed away from the body. Do not set a live air bag module down with the deployment door/trim cover/tear seam face down. Failure to follow these instructions may result in serious personal injury in the event of an accidental deployment.

**WARNING:** If the seat side air bag cover has been damaged or separated from its mounting, or if the air bag material has been exposed, install a new seat side air bag module. Never try to repair the seat side air bag module. Failure to follow these instructions may result in the seat side air bag deploying incorrectly, which increases the risk of serious personal injury or death in a crash.

**NOTICE:** Make sure not to damage the tethered side air bag module bolt cover during removal.

Using a suitable trim tool, open the tethered side air bag module bolt cover and remove the bolt. Remove the side air bag module by carefully lifting upward and outward from the seat backrest frame. Disconnect the electrical connector.



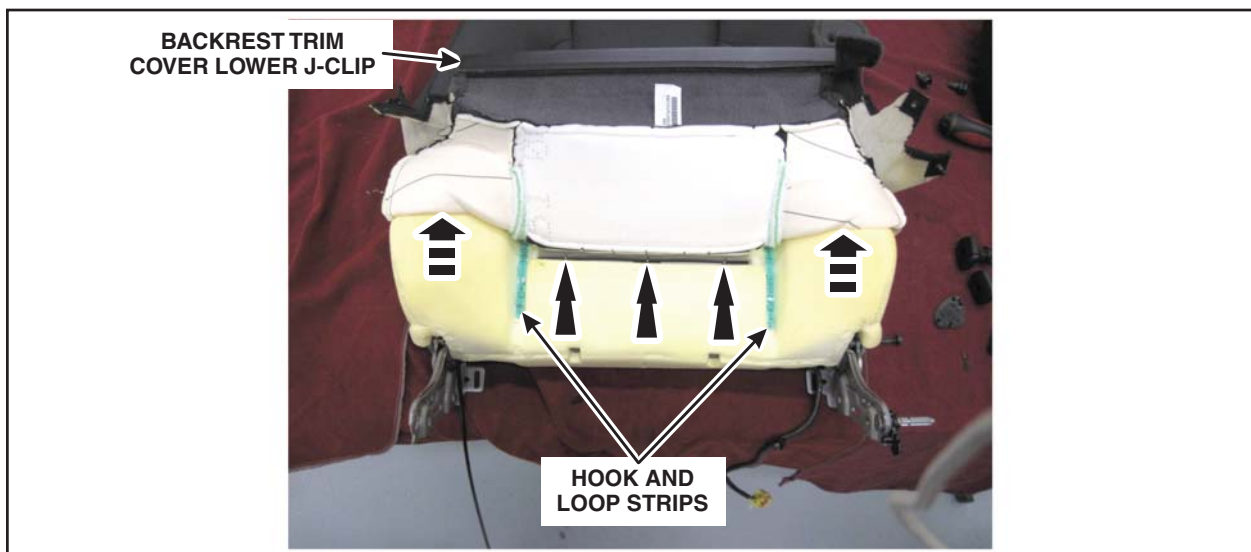


22. Remove and discard the two pin-type retainers. Disconnect the backrest trim cover flaps from both of the recliners. See Figure 13.



**FIGURE 13**

23. Remove and discard the first row of hog rings from the listing wire on the backrest foam pad. See Figure 14.
  1. Release the backrest trim cover lower J-clip and release the hook-and-loop strips.
  2. Fold the backrest trim cover back to access and remove the first row of hog rings.



**FIGURE 14**



24. Release the additional hook-and-loop strips and invert the backrest trim cover to gain access to the upper hog rings. Remove and discard the upper hog rings. See Figure 15.



FIGURE 15

25. Separate and remove the foam pad from the backrest frame.  
26. Remove the lumbar assembly by squeezing the sides of the clips together. See Figure 16.

**NOTE:** Manual lumbar is shown, static lumbar is similar.

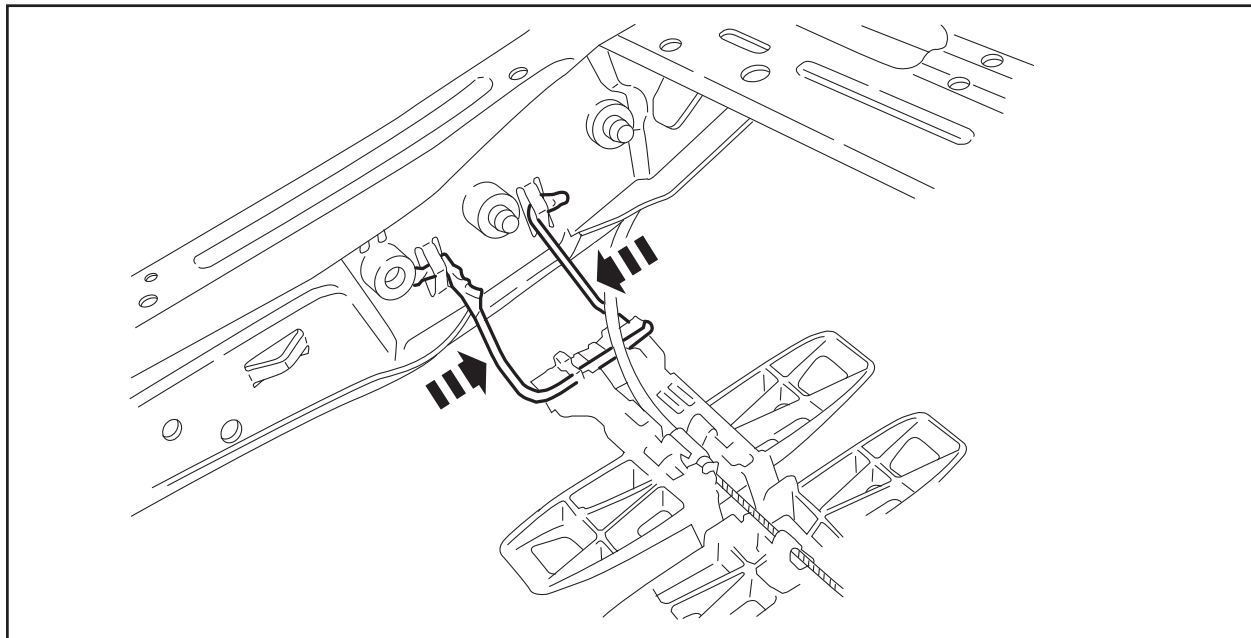


FIGURE 16



27. Remove the two side air bag module mounting bracket nuts and bracket. Discard the backrest frame. See Figure 17.

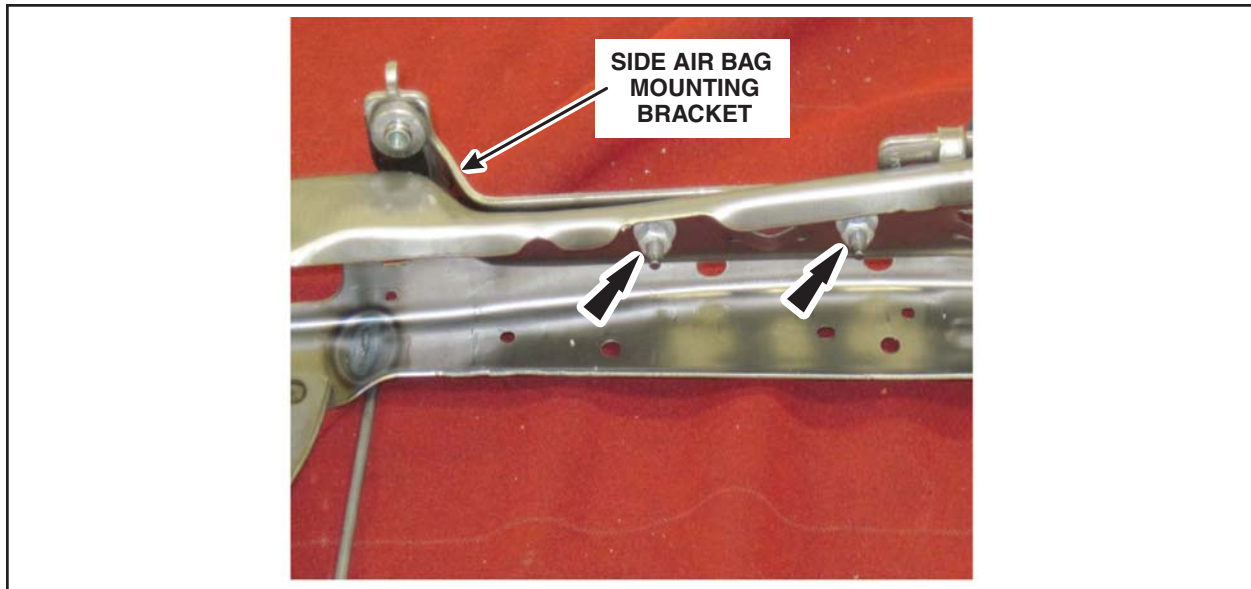


FIGURE 17

## Assembly

### All Seats

28. Install the side air bag module mounting bracket to the **new** backrest frame using the two nuts. See Figure 17.
- Tighten to 8 Nm (70 lb-in).
29. Install the lumbar assembly onto the **new** backrest frame by squeezing the sides of the lumbar spring clips together.
30. Install the **new** side air bag module wire harness and the three pin-type retainers onto the **new** backrest frame as previously noted.
31. Install the backrest foam pad onto the **new** backrest frame.



32. **NOTE:** When installing the **new** upper row of hog rings, position the hog rings onto the listing wire first.

**NOTE:** Make sure the head restraint guide sleeve holes in the backrest foam pad and the trim cover are aligned with the **new** backrest frame.

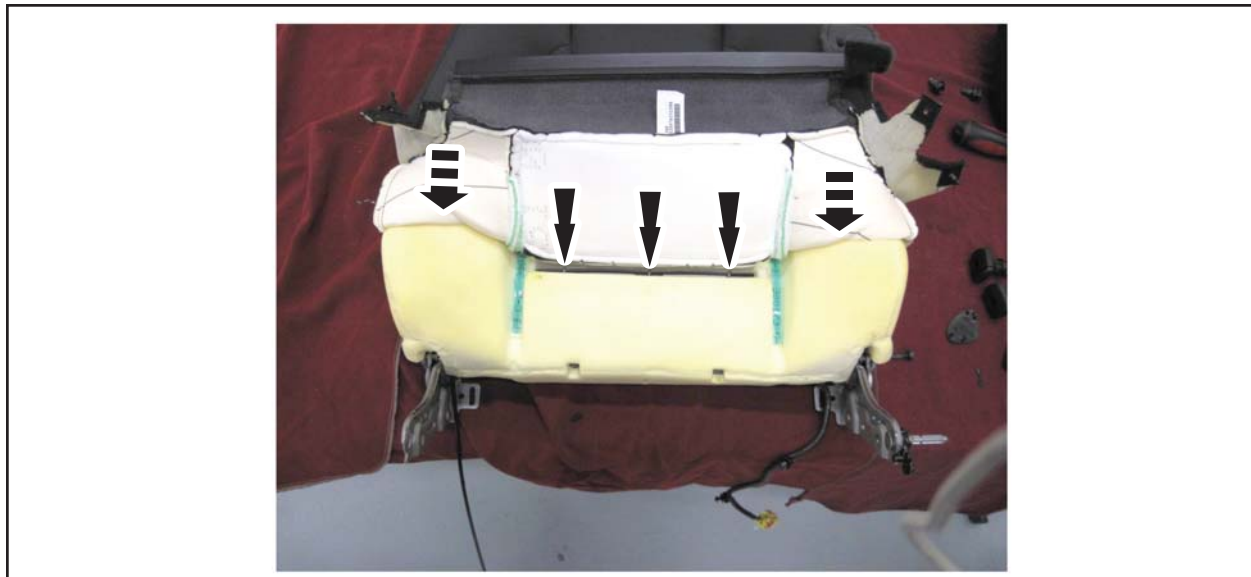
Install the backrest trim cover onto the backrest foam pad/**new** backrest frame.

1. Position the backrest trim cover onto the backrest foam pad/**new** backrest frame.
2. Using suitable hog ring pliers, attach the **new** upper hog rings to the listing wire.
3. Roll the backrest trim cover down and attach the hook-and-loop strips.

33. **NOTE:** When installing the **new** first row hog rings, position the hog rings onto the listing wire first.

Install the **new** first row hog rings. See Figure 18.

1. Using suitable hog ring pliers, install the **new** first row hog rings onto the listing wire.
2. Attach the hook-and-loop strips and the backrest trim cover lower J-clip.



**FIGURE 18**

34. Attach the backrest trim cover flaps to both of the recliners with the **new** pin-type retainers. See Figure 13.



35. **NOTE:** Make sure that the side air bag module locator hook engages into the mounting bracket.

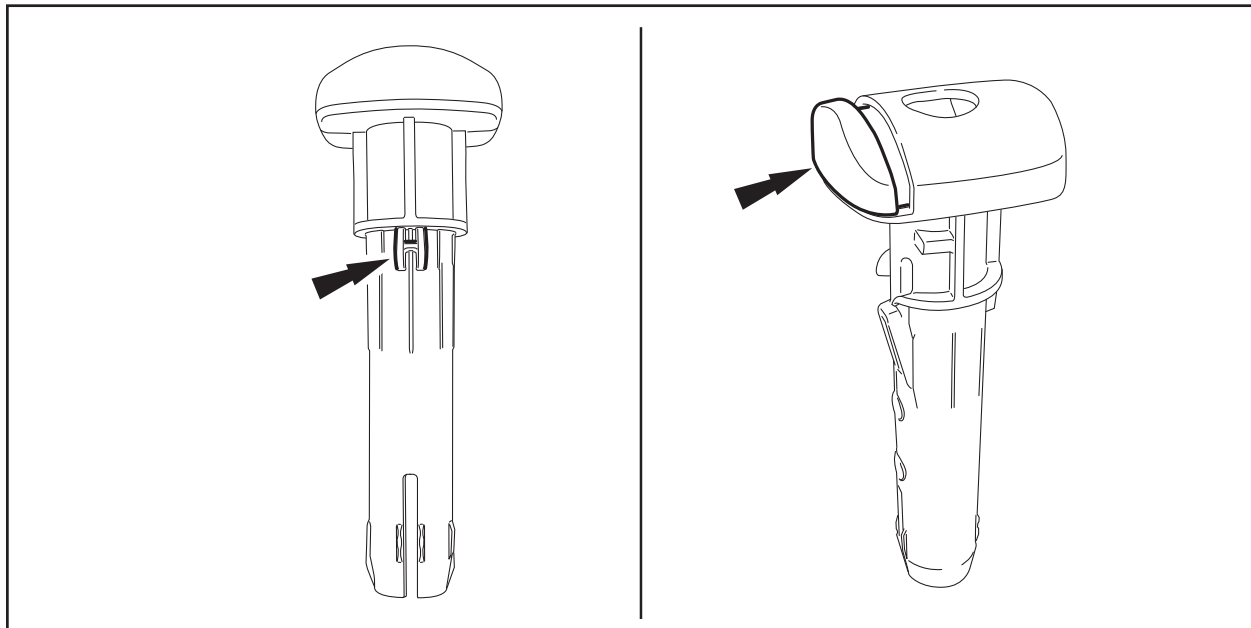
Install the side air bag module.

1. Connect the side air bag module electrical connector.
2. Position and hook the side air bag module onto the **new** seat backrest frame.
3. Install the side air bag module bolt.
  - Tighten to 10 Nm (89 lb-in).
4. Close the tethered side air bag module bolt cover.

36. **NOTICE:** The RH and LH head restraint guide sleeves are not interchangeable. Failure to correctly install the head restraint guide sleeves may result in component failure.

Install the **new** head restraint guide sleeve with the large button and wide key on the LH side of the seat with the button facing the driver door. See Figure 19.

**NOTE:** LH large button head restraint guide sleeve shown, RH small button guide similar.



**FIGURE 19**

37. Install the **new** head restraint guide sleeve with the small button and thin key on the RH side of the seat with the button facing the driver door. See Figure 19.



38. To install the **new** head restraint guide sleeves, slide the sleeves through the backrest trim cover and the foam pad. Using a back and forth motion while twisting, apply downward pressure until the sleeve is seated onto the **new** backrest frame as far as it will go. See Figure 20.

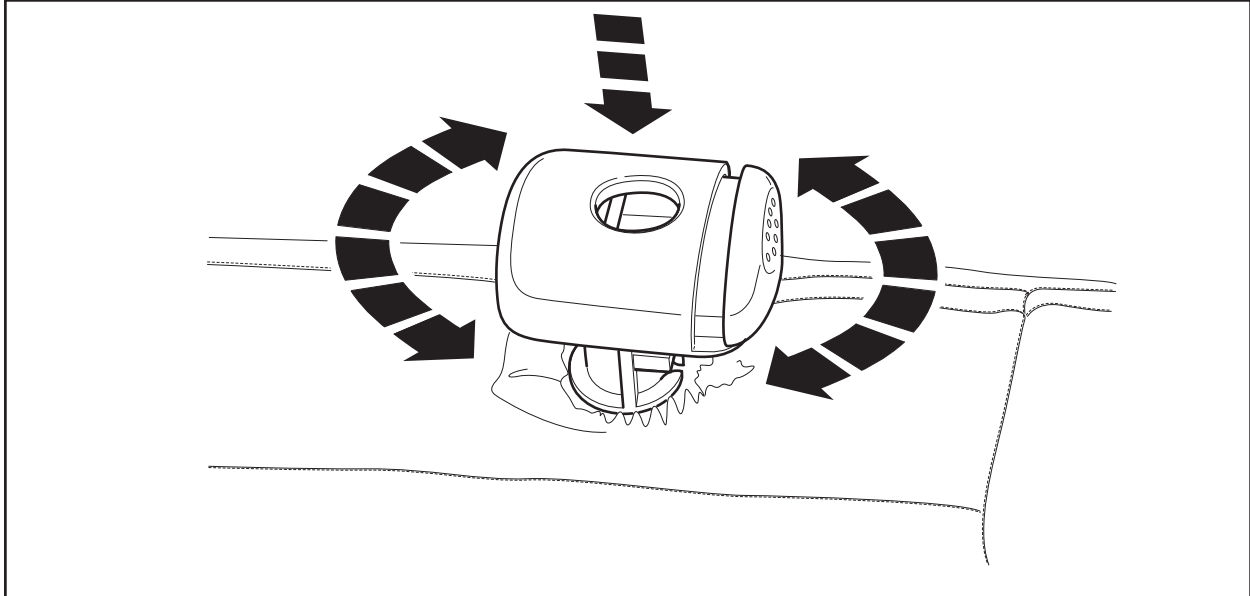


FIGURE 20

39. Using a non-marring mallet, such as a plastic dead blow or equivalent, seat the **new** head restraint guide sleeves. Strike the top of the head restraint guide sleeve with moderate force until the sleeve is snapped into place on the **new** backrest frame. See Figure 21.

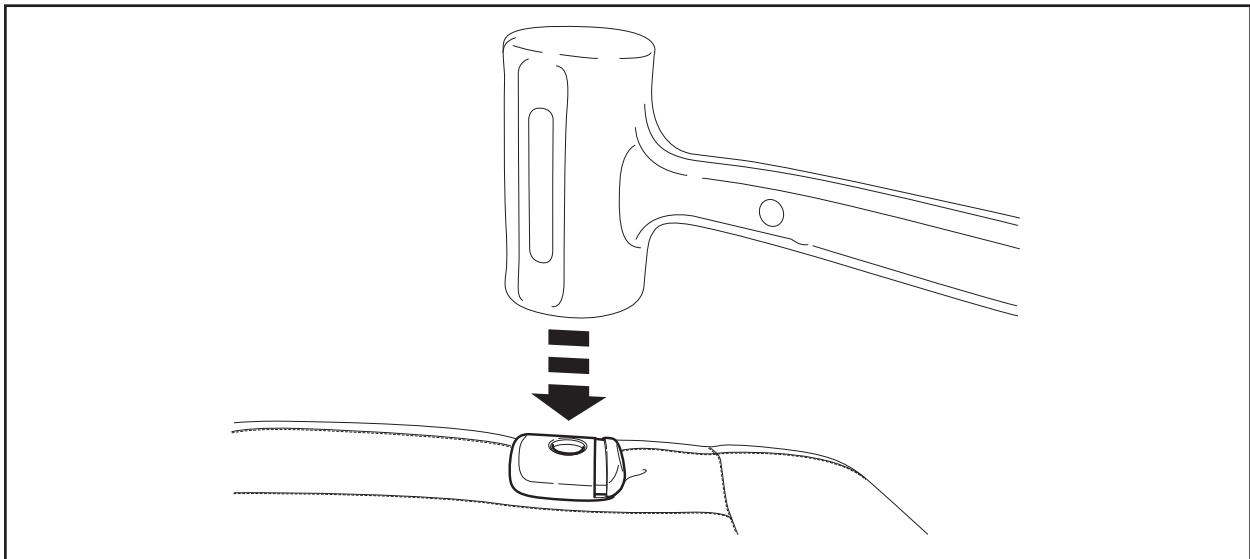


FIGURE 21



40. Make sure that both of the **new** head restraint guide sleeves are properly installed/locked into position by pulling upward on the sleeves. If the sleeve(s) can be pulled out by hand, repeat the installation procedure. If, after the second installation, the sleeve(s) can still be removed, it will be necessary to replace the head restraint guide sleeve(s).

**NEW !** 41. Hand start the four **new** recliner-to-cushion frame bolts and install the seat backrest onto the seat cushion frame.

- Tighten to 55 Nm (41 lb-ft).

### Seats Equipped With Manual Lumbar

42. Attach the manual lumbar cable pin-type retainers to the seat cushion frame.
43. Connect the manual lumbar control to the cable.
44. Using a suitable rivet gun, install the manual lumbar control onto the seat cushion frame with two **new** rivets. See Figure 22.

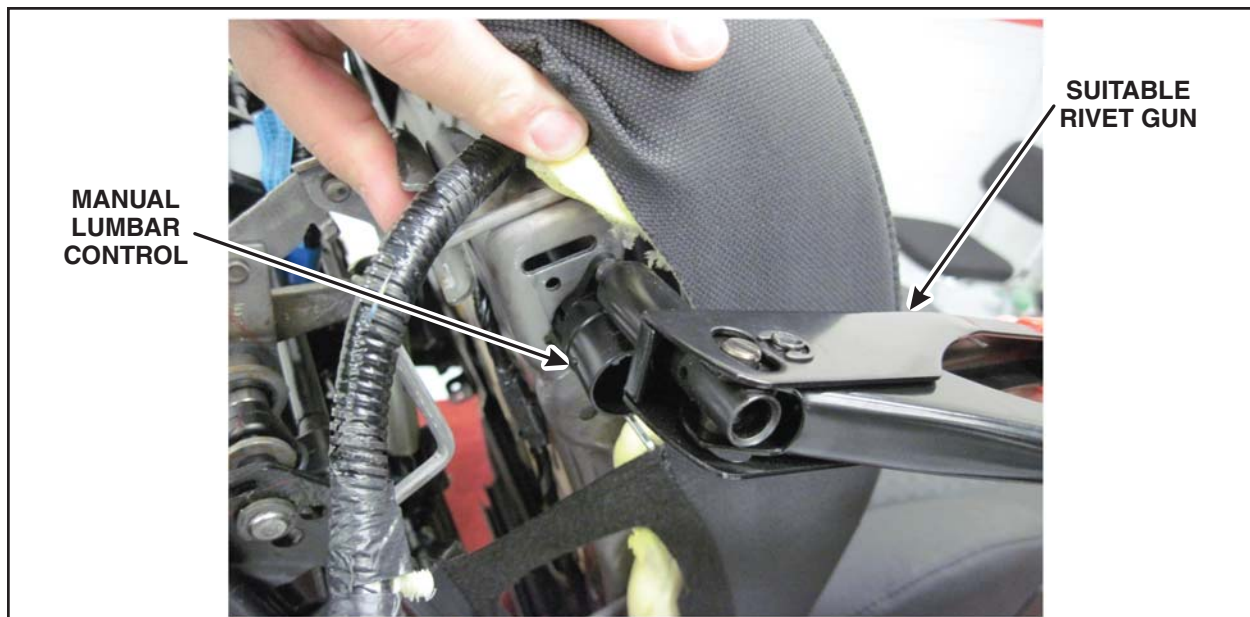


FIGURE 22

45. Attach the power seat wire harness pin-type retainer and harness onto the seat cushion frame.



## All Seats

46. Connect the side air bag module electrical connector. Position the harness to the previously noted location and attach the three pin-type retainers. See Figure 23.



FIGURE 23

47. Clip the first seat cushion trim cover J-clip to the rear of the seat cushion frame.
48. Attach the hook-and-loop around the safety belt buckle. Pull the seat cushion trim cover in toward the center of the seat and attach the trim cover retaining pocket onto the metal tab of the RH recliner.
49. If equipped with a power seat, install the seat control switch into the **new** side shield and connect the seat control switch electrical connector.
50. Install the **new** side shield onto the seat cushion frame.
1. Attach the side airbag wire harness locator onto the **new** side shield.
  2. Align the retainers with the seat cushion frame, apply pressure on the middle and the rear of the side shield and snap into place.
51. If equipped with a power seat, install the seat control switch knob by gently pushing until it completely seats.
52. If equipped with manual lumbar, install the **new** control knob by firmly pushing until an audible click is heard.
53. Install the **new** manual recliner handle by applying pressure until fully seated onto the **new** manual recliner.
54. If equipped with manual height adjust, install the handle by pushing inward. Install the two screws and the cover.





## Installation

### Manual Seats

55. To synchronize the seat tracks, align both track rails with the rear edge of the seat track base.

### All Seats

56. Position the seat into the vehicle.

57. Connect the seat electrical connectors.

1. Make sure the assurance lever of the electrical connector is in the fully released position.
2. Connect the body harness electrical connector to the seat electrical connector.
3. Rotate the assurance lever while pushing the electrical connectors together until the lever handle is in the locked position.
4. Connect the side air bag module electrical connector. Install the electrical connector locking clip.

58. **NOTE:** Make sure the safety belt webbing is not twisted and the safety belts and buckles are accessible to the occupants.

Secure the seat.

1. Align the two forward seat mounting locators to the guide holes in the floor.
2. Install by hand all four seat track-to-floor bolts, then tighten. See Figure 24.
  - Tighten to 47 Nm (35 lb-ft) in the following sequence.
3. Install the four seat track-to-floor bolt covers.

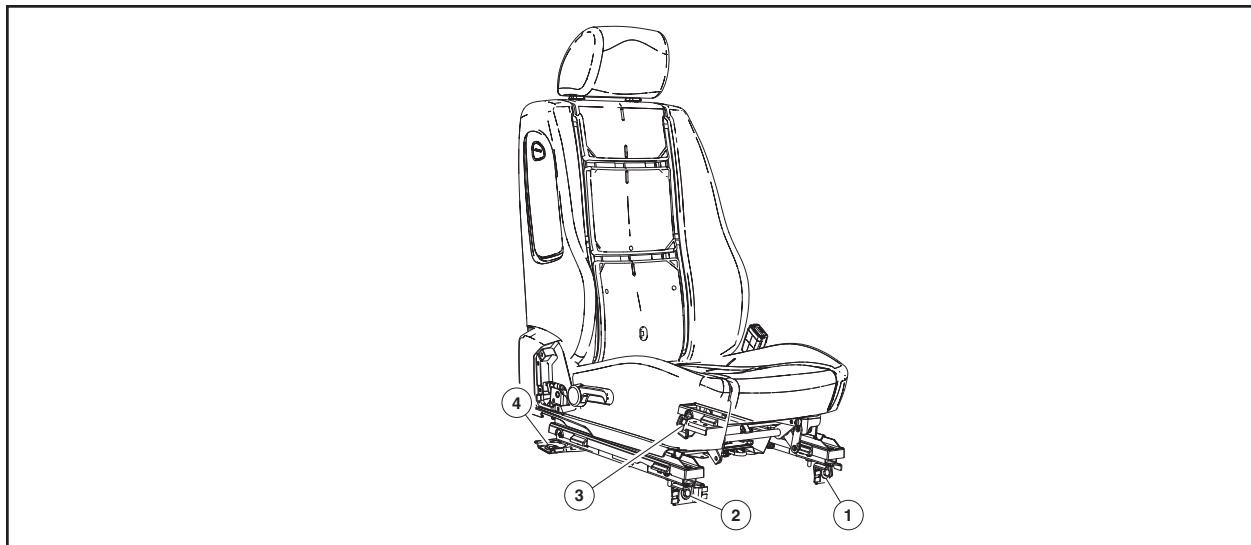


FIGURE 24



59. Install the head restraint into the head restraint guide sleeves.
60. Repower the Supplemental Restraint System (SRS). For additional information, refer to WSM, Section 501-20B, SRS Repowering Procedure.

