



10V-147

Volvo Car Corporation
TIE - Technical Information Exchange

TIE - Technical Journal

Title Recall 224-Fuel line Inspect/Replace if necessary

Ref No US22890.1.1 en-US

Issuer -

Partner 3 US 7510 Volvo Cars North America

Func Group 2346 **Func Desc** fuel line

Status Released

Status Date 2010-04-20

Issue Date 2010-04-16

Reference VIDA,SMB 23-224

Attachment

File Name	File Size
RTJ 22890 recall224.pdf	0,2806 MB

Vehicle Type

Type	Eng	Eng Desc	Sales	Body	Gear	Steer	Model Year	Plant	Chassis range	Struc Week Range
275	98	B6324S					2010 -2010		0546203 -0553594	0 -0

CSC

Code	Description
XW	Service action/Recall/Service action/Recall
XY	Fuel system/Fuel leakage
A1	Fuel system/Fuel odor

DTC

Text

CSC= Customer Symptom Code

Note! If using a printed copy of this Retailer Technical Journal, first check for the latest online version.

DESCRIPTION:

Volvo has identified that a manufacturing defect in the fuel pressure line may result in fuel smell and/or fuel seepage.

Volvo has decided that all vehicles concerned by this RTJ, shall be inspected and if necessary upgraded in accordance with the attachment in this document, without delay.

SERVICE:

Inspect the manufacturing date printed on the fuel line and if necessary replace the complete fuel pressure line.
NOTE: If the date is missing or cannot be clearly read replace the complete line.

Volvo Car Customer Service		
	TJ Instruction	
	TJ No 22890	
		Date Month 04-19-2010 Issue 01
Title	Recall 224-Fuel line Inspect/Replace if necessary	

Special tools	Quantity	Part No.
Wrench	1	9512666
Fixture	1	9995972
Mobile jack	1	Shop equipment

Material	Quantity	Part No.
Shim	2	1212446
Delivery line	1	30683031

1.

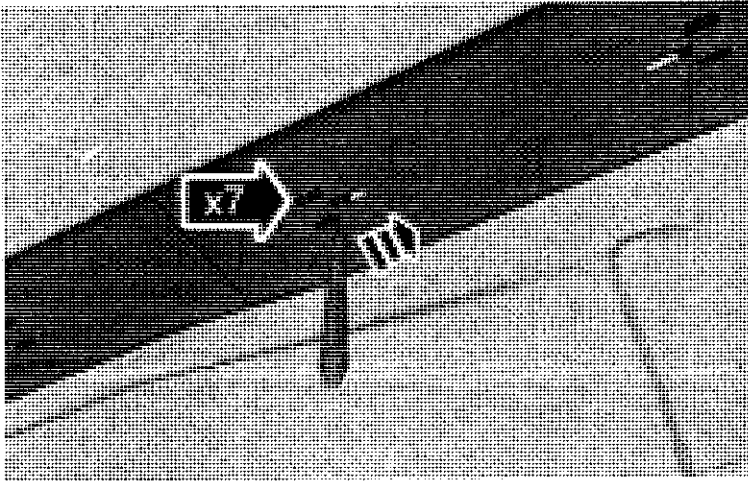
Note! Some variation in the illustrations may occur, but the essential information is always correct

VOLVO

2.

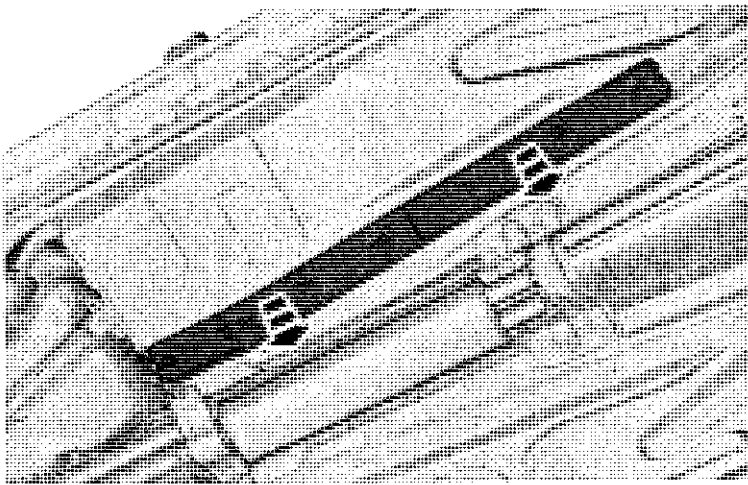
Date check fuel line

Raise the vehicle.
Detach the cover.



3.

Remove the cover.



IMG-344692

4.

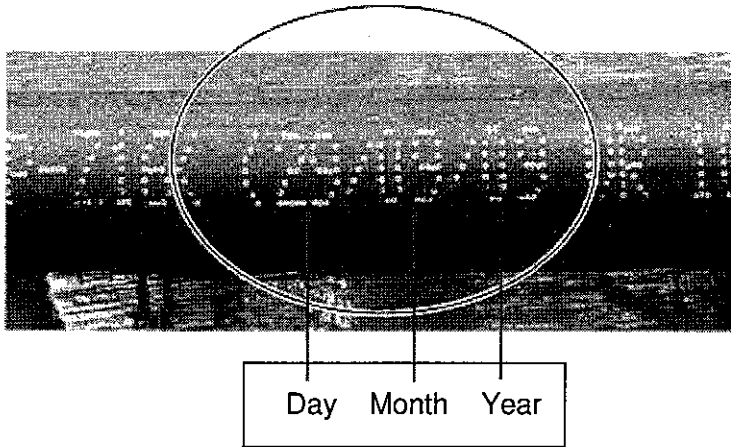
Check the date code

For date codes outside the time span 19/10/09-19/11/09, no action is necessary.

To install, reverse the removal procedure.

For date codes between 19/10/09 and 19/11/09, replace the fuel line according to the instructions below.

NOTE: If the date is missing or cannot be clearly read replace the complete line.



5.

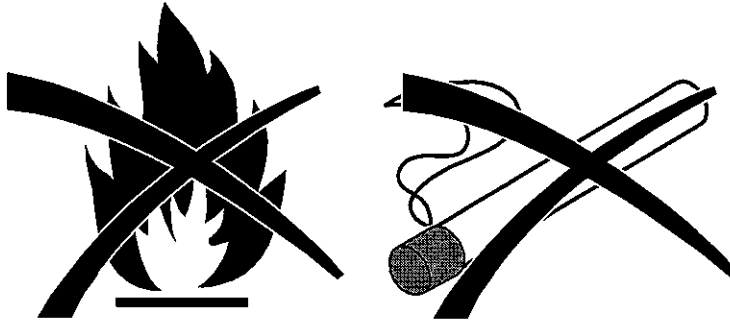
Safety precautions for handling fuel

Warning! Avoid ignition sources.

Use breathing protection, type A/brown (organic substances) filter mask when there is a risk of breathing in fuel vapours.

Use protective gloves to avoid skin contact with fuel.

Ensure that there is good ventilation when draining and filling fuel.



6.

Venting the fuel system

Vent the fuel system according to:

Fuel system emptying

Cleaning, checking, adjusting

2 Engine with mountings and equipment

23 Fuel system

238 Fuel system, emptying

7.

Removal of right rear seat

To remove the right rear seat, see:

Removal, replacement and installation

8 Body frame

85 Interior

852 Upholstery backrest cushion outer

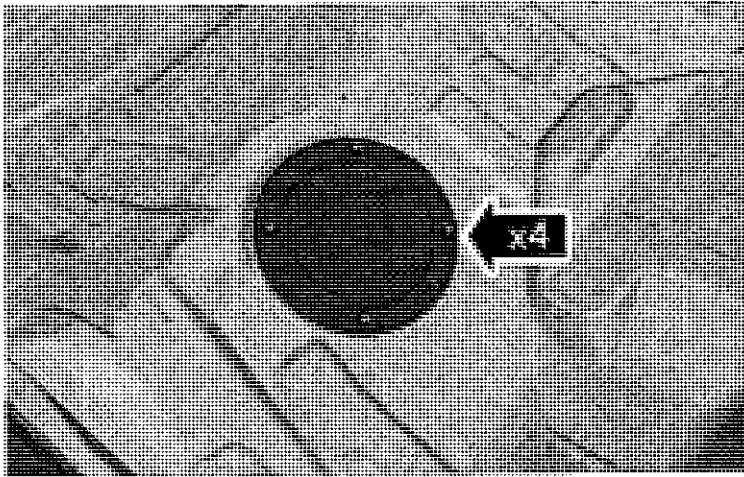
IMPORTANT: The removal of the rear seat will be slightly different for the 5 passenger to the 7 passenger.

Be sure to profile the correct variant.

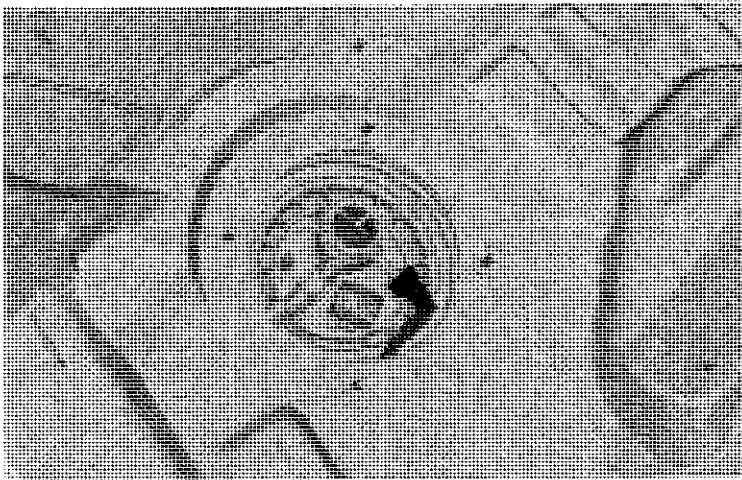
8.

Fuel line from fuel pump**Remove the:**

- Inner load floor, fold up the carpet
- Nuts, 4 pcs, M6 10Nm / 7.3 lbf-ft
- Cover for fuel pump



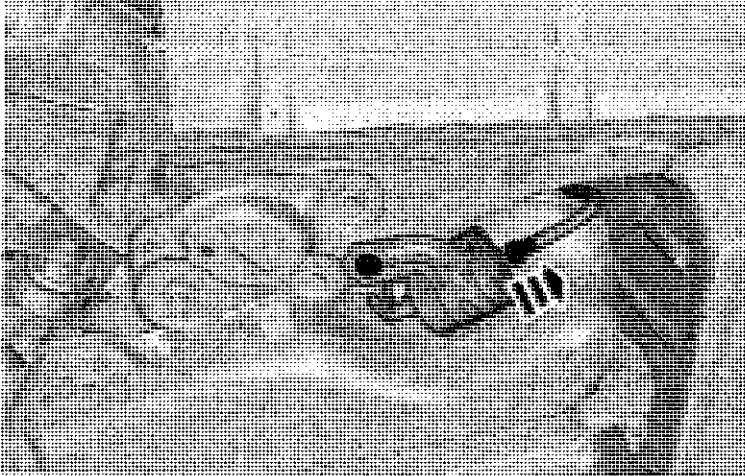
9.



Warning ! Be prepared to collect escaping fluids.

IMG-344688.SVG

10.

Raise the vehicle

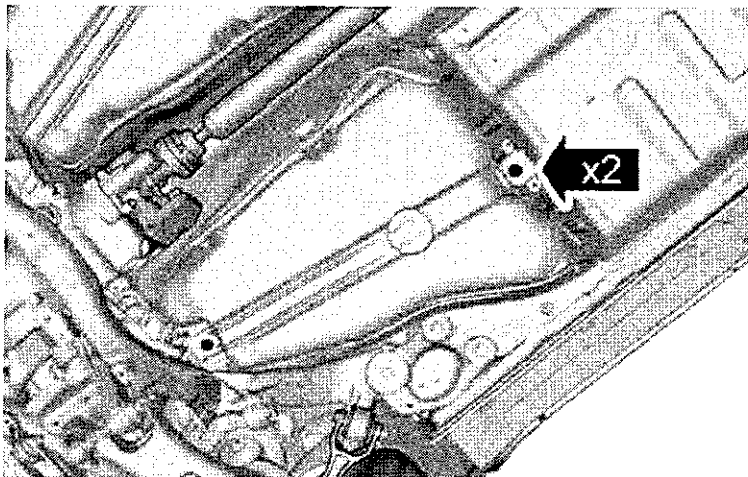
IMG-344686.SVG

Caution! Be prepared to collect escaping fluids

Remove

- hose from fuel filter
- bracket to fuel filter M8 23Nm / 16.9 lbf-ft.

11.



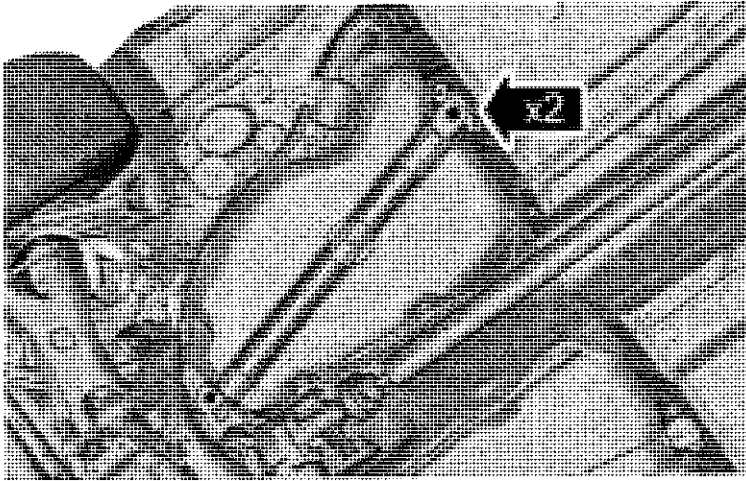
IMG-344696.SVG

Remove:

- M8 23 Nm / 16.9 lbf-ft.

Note! Do not slacken the screws more than two turns.

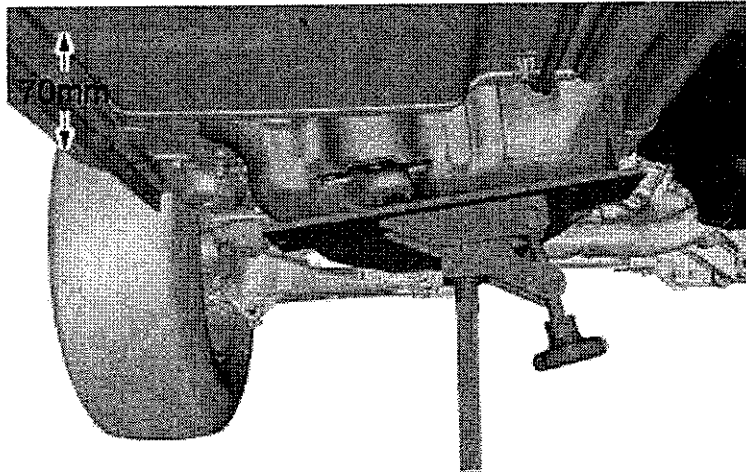
12.

**Remove:**

- M8 23 Nm / 16.9 lbf-ft.
Use mobile jack and fixture
999 5972

IMG-344695.SVG

13.

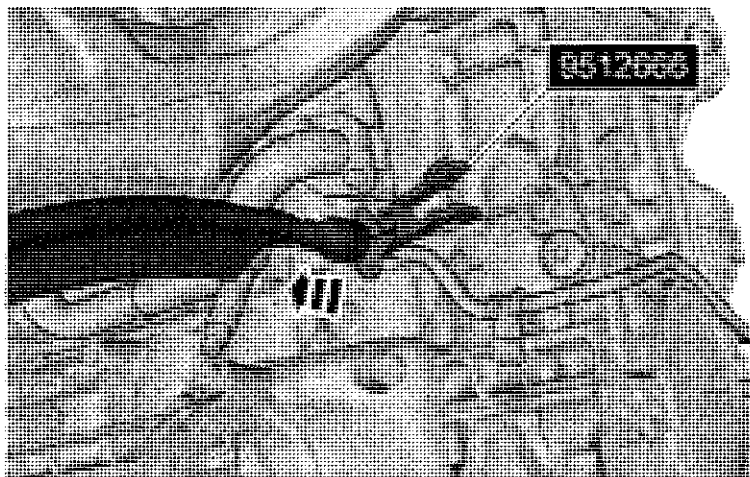


Mobile jack and fixture 9995972

Lower the tank on the right-hand side
approx. = 70 mm / 2.5 in.

IMG-344701.SVG

14.

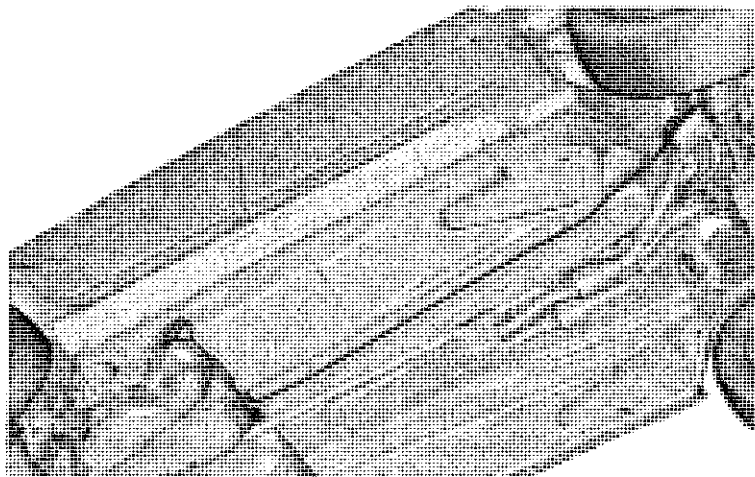


Caution! Be prepared to collect escaping fluids

Use 951 2666

IMG-344687.SVG

15.

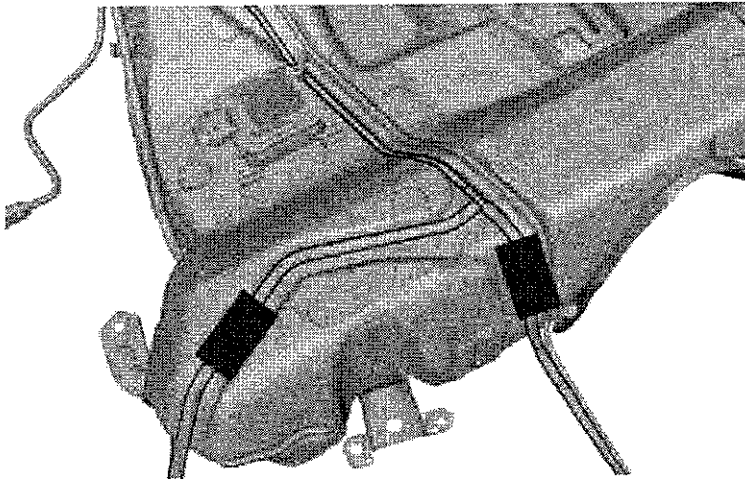


IMG-344689.SVG

16.

Installation

Use 1212446



IMG-344761

Installation

To install, reverse the removal procedure.