

Mr. Gregory Magno, Chief – Defects Assessment
National Highway Traffic Safety Administration
400 Seventh Street, SW
Washington, DC 20590
(202) 366 – 5226

September 7, 2010

Mr. Magno,

In reference to the requirements of 49 CFR Part 579.5 Subparagraph A, this letter serves as cover for the attached Notices, Bulletins, and Communications that were issued to UD Trucks North America Sales and Service Dealers in the United States for May 2010.

The Safety Recall Bulletin enclosed is:

10V-005	Brake Actuation and Release Timing
10V-006	Air Reservoir Tank Capacity

The Technical Bulletin enclosed is:

NONE

The Technical Announcements enclosed are:

NONE

The Product Improvement Letters enclosed are:

NONE

The Warranty Letters enclosed are:

NONE

The Service News Letters enclosed are:

NONE

The Warranty Policies & Procedures Manual Revision enclosed is:

NONE

Sincerely,

Les Wells

Senior Manager Service Operations
UD Trucks North America

Department: Service
 Section: Brake
 Model(s): UD3300
 Model Year(s): 2008 ~ 2010
 Effective Date: August 9, 2010
 Form #: Recall Bulletin 10V-005 & 10V-006
 Rev #: N/A
 Supersedes: N/A

SUBJECT: Voluntary Safety Recall Campaign Numbers

- 10V-005 Brake Activation / Release Timing Correction
- 10V-006 Air Tank Reserve Capacity Correction

MODELS AFFECTED:

Specific 2008, 2009 & 2010 MY standard & sweeper chassis UD3300 model vehicles with the vehicle identification number listed below in the following sections 1 and 2.

DESCRIPTION:

The affected model & model year vehicles fail to comply with the requirements of Federal Motor Vehicle Safety Standard No. 121, "Air Brake Systems" and "Air Reserve Capacity". As a remedy the following repairs will be performed.

- 10V-005 Specific air brake control valves and associated air lines that regulate brake actuation and release timing will be replaced.
- 10V-006 An additional air tank will be installed to increase the air reserve capacity.

Owners of the involved vehicles will be notified by mail and instructed to schedule an appointment with an authorized UD Truck Dealer to have these Safety Recalls performed at no charge.

ADMINISTRATION / DEALER RESPONSIBILITY:

Dealers are requested to proceed immediately to make the necessary repair to the affected vehicles in inventory.

It is a violation of federal law for a dealer to deliver a new or used motor vehicle covered by a recall notice until the recall remedy has been performed.

Owners of affected vehicles will receive an "Authorization for Recall Notification Service" card(s) for the related recall(s). This postage pre-paid card must be filled out correctly and returned to the address on the card indicating whether the vehicle was repaired, transferred, sold, etc. (refer to the UD Warranty Policies & Procedures Manual, Part III, Section 1). For vehicles without an "Authorization for Recall Service" card, check the vehicle identification number with the Vehicle Service Notification screen of the UD IntraNET Warranty Claim System menu.

Federal regulations require that all vehicle lessors must notify all lessees within ten (10) days of receiving this notice.

SERVICE INFORMATION:

Before servicing the vehicle, read the entire set of instructions first. Observe the following safety precautions to prevent personal injury, damage to property, or both:

- If the involved vehicle has a label(s) on the inside of the driver's left door as shown in Figure A, the recall(s) have already been performed and no further action is required.
- If the involved vehicle does not have the label on the inside of the driver's door, verify through the Vehicle Service Notification screen of the UD IntraNET system that the recall is required. Complete the safety recall according to the following instructions.

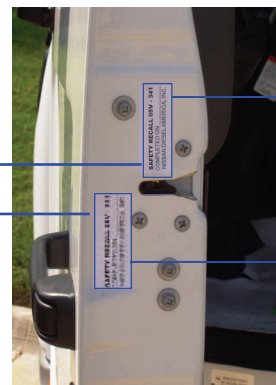


Figure A

SAFETY RECALL 10V-006
 COMPLETED ON
 UD TRUCKS NORTH AMER-

SAFETY RECALL 10V-005
 COMPLETED ON
 UD TRUCKS NORTH AMER-

SERVICE INFORMATION CONTINUED:

- Park the vehicle on a flat surface, place the transmission in NEUTRAL, set the parking brake and chock the rear wheels.
- Turn the engine off and allow the engine to cool.
- AIR SUSPENSION MODELS - ACTIVATE THE AIR DUMP SWITCH to remove all air from the system and lower the body.
- Drain the air completely from all air reservoir tanks.
- Remove the front bumper.

SERVICE PROCEDURES: This bulletin is separated into two sections. (section 2 starts on page 4)

- **Section 1** - Standard Chassis (van body, reefer, roll back, etc). Locate the VIN in the following list, verify the wheel base and select the required parts kits as explained on page 3.

SECTION 1 - STANDARD CHASSIS VIN'S

STANDARD CHASSIS VIN'S REQUIRING BOTH 10V-005 AND 10V-006

JNAPC81L98AR70001	JNAPC81L48AR70035	JNAPC81LX8AH70067	JNAPC81L88AR70099
JNAPC81L08AR70002	JNAPC81L68AR70036	JNAPC81L88AR70068	JNAPC81L08AR70100
JNAPC81L08AE70005	JNAPC81L88AR70037	JNAPC81L48AE70069	JNAPC81L28AR70101
JNAPC81L88AR70006	JNAPC81L38AH70038	JNAPC81L18AK70070	JNAPC81L48AR70102
JNAPC81L48AE70007	JNAPC81LX8AM70039	JNAPC81L68AM70071	JNAPC81L68AR70103
JNAPC81L68AE70008	JNAPC81L88AR70040	JNAPC81L48AE70072	JNAPC81L88AR70104
JNAPC81L78AH70009	JNAPC81L88AM70041	JNAPC81L78AK70073	JNAPC81LX8AR70105
JNAPC81L58AK70010	JNAPC81L18AR70042	JNAPC81L18AM70074	JNAPC81L18AR70106
JNAPC81L18AR70011	JNAPC81L98AK70043	JNAPC81L98AH70075	JNAPC81L38AR70107
JNAPC81L18AM70012	JNAPC81L98AH70044	JNAPC81L28AK70076	JNAPC81L58AR70108
JNAPC81L58AR70013	JNAPC81L08AH70045	JNAPC81L28AH70077	JNAPC81L78AR70109
JNAPC81L78AR70014	JNAPC81L78AM70046	JNAPC81L98AM70078	JNAPC81L38AR70110
JNAPC81L78AM70015	JNAPC81L98AM70047	JNAPC81L28AR70079	JNAPC81L58AR70111
JNAPC81L08AR70016	JNAPC81L28AR70048	JNAPC81L48AK70080	JNAPC81L78AR70112
JNAPC81L28AR70017	JNAPC81L48AR70049	JNAPC81L98AM70081	JNAPC81L98AR70113
JNAPC81L48AR70018	JNAPC81L08AR70050	JNAPC81L28AR70082	JNAPC81L08AR70114
JNAPC81L68AR70019	JNAPC81L28AR70051	JNAPC81LX8AK70083	JNAPC81L78AR70126
JNAPC81L28AR70020	JNAPC81LX8AK70052	JNAPC81L48AM70084	JNAPC81LX9AR75001
JNAPC81L48AR70021	JNAPC81L68AR70053	JNAPC81L68AM70085	JNAPC81L99AH75004
JNAPC81L68AR70022	JNAPC81L88AR70054	JNAPC81L88AM70086	JNAPC81L29AK75005
JNAPC81L88AR70023	JNAPC81L38AH70055	JNAPC81L18AR70087	JNAPC81L99AR75006
JNAPC81LX8AR70024	JNAPC81LX8AM70056	JNAPC81L18AM70088	JNAPC81L49AK75099
JNAPC81L68AE70025	JNAPC81L38AR70057	JNAPC81L58AR70089	JNAPC81L09AR75122
JNAPC81L88AE70026	JNAPC81L08AK70058	JNAPC81L18AR70090	JNAPC81L29AR75123
JNAPC81L08AK70027	JNAPC81L78AR70059	JNAPC81L88AE70091	JNAPC81L89AH75124
JNAPC81L58AM70028	JNAPC81L38AR70060	JNAPC81L58AR70092	JNAPC81L69AR75125
JNAPC81L28AH70029	JNAPC81L98AH70061	JNAPC81L78AR70093	JNAPC81L89AR75126
JNAPC81L58AR70030	JNAPC81L28AK70062	JNAPC81L98AR70094	JNAPC81L39AH75127
JNAPC81L78AR70031	JNAPC81L78AM70063	JNAPC81L08AR70095	JNAPC81L59AH75128
JNAPC81L98AR70032	JNAPC81L48AH70064	JNAPC81L28AR70096	JNAPC81L89AE75129
JNAPC81L08AR70033	JNAPC81L28AR70065	JNAPC81L48AR70097	JNAPC81L49AE75130
JNAPC81L28AR70034	JNAPC81L98AE70066	JNAPC81L68AR70098	JNAPC81L59AH75131

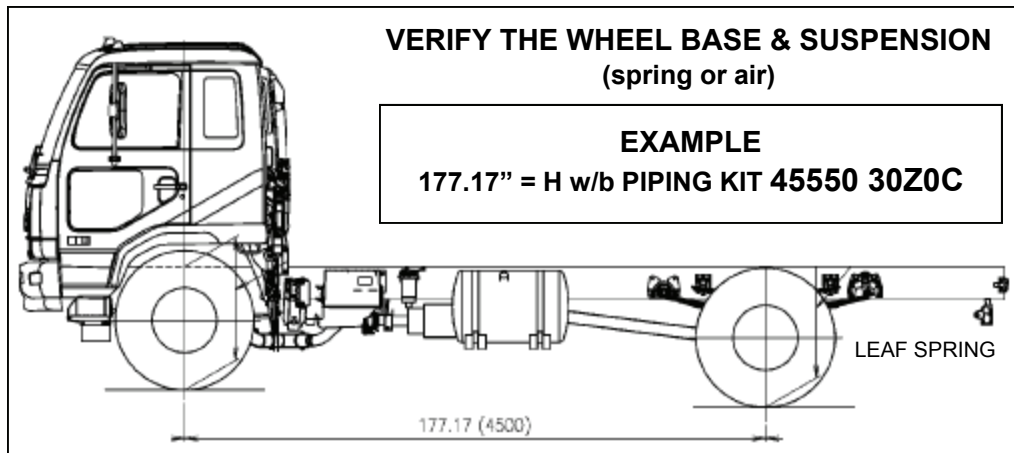
STANDARD CHASSIS VIN'S CONTINUED (from page 2)

JNAPC81L39AR75132	JNAPC81L19AR75162
JNAPC81L59AR75133	JNAPC81L39AR75163
JNAPC81L09AH75134	JNAPC81LX9AE75164
JNAPC81L29AH75135	JNAPC81L49AE75189
JNAPC81L49AH75136	JNAPC81L5AAR80014
JNAPC81L69AH75137	JNAPC81L7AAM80016
JNAPC81L49AR75138	JNAPC81L9AAM80017
JNAPC81L69AR75139	JNAPC81L3AAR80030
JNAPC81L19AR75145	JNAPC81LXAAR80039
JNAPC81L39AR75146	JNAPC81LXAAR80042

STANDARD CHASSIS VIN IDENTIFICATION:

Repair parts are available through normal UD Truck repair parts procedures. **Overnight freight is authorized on your warranty claim.** Each vehicle will require a Main Components Kit and a Piping Kit (wheel base specific) to complete these repairs.

DO NOT ORDER ANY PARTS UNTIL THE CHASSIS WHEEL BASE HAS BEEN VERIFIED WITH A TAPE MEASURE.



PARTS FOR STANDARD CHASSIS:

STANDARD CHASSIS PARTS KITS (Includes parts for both 10V-005 & 10V-006)	PART NUMBER	QTY Each Chassis
Main components kit (One for each chassis required)	45550 30Z0A	1
STANDARD CHASSIS PIPING KITS (One for each chassis required)		
PIPING KIT 01 for LEAF SPRING w/b E = 150.39 inches	45550 30Z0B	1
PIPING KIT 02 for LEAF SPRING w/b H = 177.17 inches	45550 30Z0C	1
PIPING KIT 03 for LEAF SPRING w/b K = 192.91 inches	45550 30Z0D	1
PIPING KIT 04 for LEAF SPRING w/b M = 208.66 inches	45550 30Z0E	1
PIPING KIT 05 for LEAF SPRING w/b R = 238.19 inches	45550 30Z1A	1
PIPING KIT 11 for AIR RIDE w/b E = 150.39 inches	45550 30Z1B	1
PIPING KIT 13 for AIR RIDE w/b K = 192.91 inches	45550 30Z1D	1
PIPING KIT 15 for AIR RIDE w/b R = 238.19 inches	45550 30Z2A	1

SECTION 2 - SWEEPER CHASSIS / VERTICAL EXHAUST CHASSIS - PARTS INFORMATION:

Step 1: Locate the VIN number from listings on page 4 through 9 and order the Kit Part Number (all required parts are included). Repair parts are available through normal UD Truck repair parts procedures.

Overnight freight is authorized on your warranty claim

Step 2: Each parts kit will include the repair instructions booklet.

SWEEPER CHASSIS VIN'S

VIN	Both recalls	Only 10V-005	Only 10V-006	Rear Suspension	Kit Part Number
JNAPC81L48AC70003	X			Air Suspension	4555031Z0C
JNAPC81L58AF70004	X			Leaf Suspension	4555031Z0B
JNAPC81L98AE70116			X	Leaf Suspension	4555031Z1D
JNAPC81L08AE70117			X	Leaf Suspension	4555031Z1D
JNAPC81L28AE70118			X	Leaf Suspension	4555031Z1D
JNAPC81L48AE70119			X	Leaf Suspension	4555031Z1D
JNAPC81L08AE70120			X	Leaf Suspension	4555031Z1D
JNAPC81L28AE70121			X	Leaf Suspension	4555031Z1D
JNAPC81L48AE70122			X	Leaf Suspension	4555031Z1D
JNAPC81L68AE70123			X	Leaf Suspension	4555031Z1D
JNAPC81L88AE70124			X	Leaf Suspension	4555031Z1D
JNAPC81LX8AE70125			X	Leaf Suspension	4555031Z1D
JNAPC81L38AE70127			X	Leaf Suspension	4555031Z1D
JNAPC81L58AE70128			X	Leaf Suspension	4555031Z1D
JNAPC81L78AE70129			X	Leaf Suspension	4555031Z1D
JNAPC81L38AE70130			X	Leaf Suspension	4555031Z1D
JNAPC81L58AE70131			X	Leaf Suspension	4555031Z1D
JNAPC81L78AE70132			X	Leaf Suspension	4555031Z1D
JNAPC81L98AE70133			X	Leaf Suspension	4555031Z1D
JNAPC81L08AE70134			X	Leaf Suspension	4555031Z1D
JNAPC81L28AE70135			X	Leaf Suspension	4555031Z1D
JNAPC81L48AE70136			X	Leaf Suspension	4555031Z1D
JNAPC81L68AE70137			X	Leaf Suspension	4555031Z1D
JNAPC81L88AE70138			X	Leaf Suspension	4555031Z1D
JNAPC81LX8AE70139			X	Leaf Suspension	4555031Z1D
JNAPC81L68AE70140			X	Leaf Suspension	4555031Z1D
JNAPC81L88AE70141			X	Leaf Suspension	4555031Z1D
JNAPC81LX8AE70142			X	Leaf Suspension	4555031Z1D
JNAPC81L18AE70143			X	Leaf Suspension	4555031Z1D
JNAPC81L38AE70144			X	Leaf Suspension	4555031Z1D
JNAPC81L58AE70145			X	Leaf Suspension	4555031Z1D
JNAPC81L78AE70146			X	Leaf Suspension	4555031Z1D
JNAPC81L98AE70147			X	Leaf Suspension	4555031Z1D
JNAPC81L08AE70148			X	Leaf Suspension	4555031Z1D
JNAPC81L28AE70149			X	Leaf Suspension	4555031Z1D
JNAPC81L98AE70150			X	Leaf Suspension	4555031Z1D
JNAPC81L08AE70151			X	Leaf Suspension	4555031Z1D
JNAPC81L28AE70152			X	Leaf Suspension	4555031Z1D
JNAPC81L48AE70153			X	Leaf Suspension	4555031Z1D

SWEEPER CHASSIS VIN'S CONTINUED (from page 4)

VIN	Both recalls	Only 10V-005	Only 10V-006	Rear Suspension	Kit Part Number
JNAPC81L68AE70154			X	Leaf Suspension	4555031Z1D
JNAPC81L88AE70155			X	Leaf Suspension	4555031Z1D
JNAPC81LX8AE70156			X	Leaf Suspension	4555031Z1D
JNAPC81L18AE70157			X	Leaf Suspension	4555031Z1D
JNAPC81L38AE70158			X	Leaf Suspension	4555031Z1D
JNAPC81L58AE70159			X	Leaf Suspension	4555031Z1D
JNAPC81L18AE70160			X	Leaf Suspension	4555031Z1D
JNAPC81L38AE70161			X	Leaf Suspension	4555031Z1D
JNAPC81L58AE70162			X	Leaf Suspension	4555031Z1D
JNAPC81L78AE70163			X	Leaf Suspension	4555031Z1D
JNAPC81L98AE70164			X	Leaf Suspension	4555031Z1D
JNAPC81L08AE70165			X	Leaf Suspension	4555031Z1D
JNAPC81L28AE70166			X	Leaf Suspension	4555031Z1D
JNAPC81L48AE70167			X	Leaf Suspension	4555031Z1D
JNAPC81L68AE70168			X	Leaf Suspension	4555031Z1D
JNAPC81L88AE70169			X	Leaf Suspension	4555031Z1D
JNAPC81L48AE70170			X	Leaf Suspension	4555031Z1D
JNAPC81L68AE70171			X	Leaf Suspension	4555031Z1D
JNAPC81L88AE70172			X	Leaf Suspension	4555031Z1D
JNAPC81LX8AE70173			X	Leaf Suspension	4555031Z1D
JNAPC81L18AE70174			X	Leaf Suspension	4555031Z1D
JNAPC81L38AE70175			X	Leaf Suspension	4555031Z1D
JNAPC81L58AE70176			X	Leaf Suspension	4555031Z1D
JNAPC81L78AE70177			X	Leaf Suspension	4555031Z1D
JNAPC81L98AE70178			X	Leaf Suspension	4555031Z1D
JNAPC81L08AE70179			X	Leaf Suspension	4555031Z1D
JNAPC81L78AE70180			X	Leaf Suspension	4555031Z1D
JNAPC81L98AE70181			X	Leaf Suspension	4555031Z1D
JNAPC81L08AE70182			X	Leaf Suspension	4555031Z1D
JNAPC81L28AE70183			X	Leaf Suspension	4555031Z1D
JNAPC81L48AE70184			X	Leaf Suspension	4555031Z1D
JNAPC81L68AE70185			X	Leaf Suspension	4555031Z1D
JNAPC81L88AE70186			X	Leaf Suspension	4555031Z1D
JNAPC81LX8AE70187			X	Leaf Suspension	4555031Z1D
JNAPC81L18AE70188			X	Leaf Suspension	4555031Z1D
JNAPC81L38AE70189	X			Leaf Suspension	4555031Z0D
JNAPC81LX8AE70190			X	Leaf Suspension	4555031Z1D
JNAPC81L18AE70191			X	Leaf Suspension	4555031Z1D
JNAPC81L38AE70192			X	Leaf Suspension	4555031Z1D
JNAPC81L58AE70193			X	Leaf Suspension	4555031Z1D
JNAPC81L78AE70194			X	Leaf Suspension	4555031Z1D
JNAPC81L98AE70195			X	Leaf Suspension	4555031Z1D
JNAPC81L08AE70196			X	Leaf Suspension	4555031Z1D
JNAPC81L28AE70197			X	Leaf Suspension	4555031Z1D
JNAPC81L48AE70198			X	Leaf Suspension	4555031Z1D
JNAPC81L68AE70199			X	Leaf Suspension	4555031Z1D

SWEeper CHASSIS VIN'S CONTINUED (from page 5)

VIN	Both recalls	Only 10V-005	Only 10V-006	Rear Suspension	Kit Part Number
JNAPC81L98AE70200			X	Leaf Suspension	4555031Z1D
JNAPC81L48AE70203	X			Leaf Suspension	4555031Z0D
JNAPC81L68AE70204	X			Leaf Suspension	4555031Z0D
JNAPC81L88AE70205	X			Leaf Suspension	4555031Z0D
JNAPC81LX8AE70206	X			Leaf Suspension	4555031Z0D
JNAPC81L18AE70207	X			Leaf Suspension	4555031Z0D
JNAPC81L38AE70208	X			Leaf Suspension	4555031Z0D
JNAPC81L58AE70209	X			Leaf Suspension	4555031Z0D
JNAPC81L38AE70211			X	Leaf Suspension	4555031Z1D
JNAPC81L58AE70212			X	Leaf Suspension	4555031Z1D
JNAPC81L78AE70213			X	Leaf Suspension	4555031Z1D
JNAPC81L99AD75007		X		Leaf Suspension	4555031Z0A
JNAPC81L09AD75008		X		Leaf Suspension	4555031Z0A
JNAPC81L29AD75009		X		Leaf Suspension	4555031Z0A
JNAPC81L99AD75010		X		Leaf Suspension	4555031Z0A
JNAPC81L09AD75011		X		Leaf Suspension	4555031Z0A
JNAPC81L59AF75012	X			Leaf Suspension	4555031Z0B
JNAPC81L79AF75013	X			Leaf Suspension	4555031Z0B
JNAPC81L99AF75014			X	Leaf Suspension	4555031Z1B
JNAPC81L09AF75015	X			Leaf Suspension	4555031Z0B
JNAPC81L29AF75016	X			Leaf Suspension	4555031Z0B
JNAPC81L49AF75017			X	Leaf Suspension	4555031Z1B
JNAPC81L69AF75018			X	Leaf Suspension	4555031Z1B
JNAPC81L89AF75019			X	Leaf Suspension	4555031Z1B
JNAPC81L59AC75020	X			Air Suspension	4555031Z0C
JNAPC81L79AC75021	X			Air Suspension	4555031Z0C
JNAPC81L89AF75022			X	Leaf Suspension	4555031Z1B
JNAPC81LX9AF75023	X			Leaf Suspension	4555031Z0B
JNAPC81L19AF75024	X			Leaf Suspension	4555031Z0B
JNAPC81L39AF75025	X			Leaf Suspension	4555031Z0B
JNAPC81L69AC75026	X			Air Suspension	4555031Z0C
JNAPC81L89AC75027	X			Air Suspension	4555031Z0C
JNAPC81LX9AC75028	X			Air Suspension	4555031Z0C
JNAPC81L19AC75029	X			Air Suspension	4555031Z0C
JNAPC81L89AC75030			X	Air Suspension	4555031Z1C
JNAPC81LX9AC75031	X			Air Suspension	4555031Z0C
JNAPC81L19AC75032			X	Air Suspension	4555031Z1C
JNAPC81L39AC75033			X	Air Suspension	4555031Z1C
JNAPC81L59AC75034			X	Air Suspension	4555031Z1C
JNAPC81L79AC75035			X	Air Suspension	4555031Z1C
JNAPC81L99AC75036			X	Air Suspension	4555031Z1C
JNAPC81L09AC75037			X	Air Suspension	4555031Z1C
JNAPC81L29AC75038			X	Air Suspension	4555031Z1C
JNAPC81L59AF75043			X	Leaf Suspension	4555031Z1B
JNAPC81L79AF75044	X			Leaf Suspension	4555031Z0B

SWEEPER CHASSIS VIN'S CONTINUED (from page 6)

VIN	Both recalls	Only 10V-005	Only 10V-006	Rear Suspension	Kit Part Number
JNAPC81L99AF75045			X	Leaf Suspension	4555031Z1B
JNAPC81L09AF75046			X	Leaf Suspension	4555031Z1B
JNAPC81L29AF75047			X	Leaf Suspension	4555031Z1B
JNAPC81L49AF75048			X	Leaf Suspension	4555031Z1B
JNAPC81L69AF75049			X	Leaf Suspension	4555031Z1B
JNAPC81L29AF75050			X	Leaf Suspension	4555031Z1B
JNAPC81L49AF75051			X	Leaf Suspension	4555031Z1B
JNAPC81L69AF75052			X	Leaf Suspension	4555031Z1B
JNAPC81L89AF75053			X	Leaf Suspension	4555031Z1B
JNAPC81LX9AF75054			X	Leaf Suspension	4555031Z1B
JNAPC81L19AF75055	X			Leaf Suspension	4555031Z0B
JNAPC81L39AF75056			X	Leaf Suspension	4555031Z1B
JNAPC81L69AC75057			X	Air Suspension	4555031Z1C
JNAPC81L89AC75058			X	Air Suspension	4555031Z1C
JNAPC81L99AF75059			X	Leaf Suspension	4555031Z1B
JNAPC81L59AF75060			X	Leaf Suspension	4555031Z1B
JNAPC81L79AF75061	X			Leaf Suspension	4555031Z0B
JNAPC81L99AF75062			X	Leaf Suspension	4555031Z1B
JNAPC81L09AF75063	X			Leaf Suspension	4555031Z0B
JNAPC81L39AC75064			X	Air Suspension	4555031Z1C
JNAPC81L59AC75065			X	Air Suspension	4555031Z1C
JNAPC81L79AC75066			X	Air Suspension	4555031Z1C
JNAPC81L99AC75067			X	Air Suspension	4555031Z1C
JNAPC81L09AC75068			X	Air Suspension	4555031Z1C
JNAPC81L29AC75069	X			Air Suspension	4555031Z0C
JNAPC81L99AC75070	X			Air Suspension	4555031Z0C
JNAPC81L09AC75071	X			Air Suspension	4555031Z0C
JNAPC81L29AC75072	X			Air Suspension	4555031Z0C
JNAPC81L49AC75073			X	Air Suspension	4555031Z1C
JNAPC81L69AC75074			X	Air Suspension	4555031Z1C
JNAPC81L89AC75075			X	Air Suspension	4555031Z1C
JNAPC81LX9AC75076			X	Air Suspension	4555031Z1C
JNAPC81L09AF75077			X	Leaf Suspension	4555031Z1B
JNAPC81L29AF75078			X	Leaf Suspension	4555031Z1B
JNAPC81L69AF75083			X	Leaf Suspension	4555031Z1B
JNAPC81L89AF75084			X	Leaf Suspension	4555031Z1B
JNAPC81LX9AF75085			X	Leaf Suspension	4555031Z1B
JNAPC81L19AF75086	X			Leaf Suspension	4555031Z0B
JNAPC81L39AF75087			X	Leaf Suspension	4555031Z1B
JNAPC81L59AF75088			X	Leaf Suspension	4555031Z1B
JNAPC81L79AF75089	X			Leaf Suspension	4555031Z0B
JNAPC81L39AF75090			X	Leaf Suspension	4555031Z1B
JNAPC81L59AF75091			X	Leaf Suspension	4555031Z1B
JNAPC81L79AF75092	X			Leaf Suspension	4555031Z0B
JNAPC81L99AF75093	X			Leaf Suspension	4555031Z0B

SWEEPER CHASSIS VIN'S CONTINUED (from page 7)

VIN	Both recalls	Only 10V-005	Only 10V-006	Rear Suspension	Kit Part Number
JNAPC81L09AF75094			X	Leaf Suspension	4555031Z1B
JNAPC81L49AF75096			X	Leaf Suspension	4555031Z1B
JNAPC81L69AF75097			X	Leaf Suspension	4555031Z1B
JNAPC81L89AF75098	X			Leaf Suspension	4555031Z0B
JNAPC81L39AC75100			X	Air Suspension	4555031Z1C
JNAPC81L79AC75102	X			Air Suspension	4555031Z0C
JNAPC81L09AC75104			X	Air Suspension	4555031Z1C
JNAPC81L29AC75105			X	Air Suspension	4555031Z1C
JNAPC81L49AC75106			X	Air Suspension	4555031Z1C
JNAPC81L69AC75107			X	Air Suspension	4555031Z1C
JNAPC81LX9AC75109	X			Air Suspension	4555031Z0C
JNAPC81L69AC75110	X			Air Suspension	4555031Z0C
JNAPC81LX9AC75112			X	Air Suspension	4555031Z1C
JNAPC81L19AC75113			X	Air Suspension	4555031Z1C
JNAPC81L39AC75114			X	Air Suspension	4555031Z1C
JNAPC81L59AC75115			X	Air Suspension	4555031Z1C
JNAPC81L79AC75116	X			Air Suspension	4555031Z0C
JNAPC81L09AC75118			X	Air Suspension	4555031Z1C
JNAPC81L29AC75119			X	Air Suspension	4555031Z1C
JNAPC81L39AF75140			X	Leaf Suspension	4555031Z1B
JNAPC81L59AF75141			X	Leaf Suspension	4555031Z1B
JNAPC81L09AF75144			X	Leaf Suspension	4555031Z1B
JNAPC81L89AC75156	X			Air Suspension	4555031Z0C
JNAPC81L09AF75158			X	Leaf Suspension	4555031Z1B
JNAPC81L29AF75159			X	Leaf Suspension	4555031Z1B
JNAPC81L09AF75161			X	Leaf Suspension	4555031Z1B
JNAPC81L59AF75169	X			Leaf Suspension	4555031Z0B
JNAPC81L49AF75180			X	Leaf Suspension	4555031Z1B
JNAPC81LX9AF75183			X	Leaf Suspension	4555031Z1B
JNAPC81L39AF75185			X	Leaf Suspension	4555031Z1B
JNAPC81L9AAF80007	X			Leaf Suspension	4555031Z0E
JNAPC81L3AAF80018	X			Leaf Suspension	4555031Z0E
JNAPC81L5AAF80019	X			Leaf Suspension	4555031Z0E
JNAPC81L1AAF80020	X			Leaf Suspension	4555031Z0E
JNAPC81L3AAF80021	X			Leaf Suspension	4555031Z0E
JNAPC81L5AAF80022	X			Leaf Suspension	4555031Z0E
JNAPC81L7AAF80023	X			Leaf Suspension	4555031Z0E
JNAPC81L9AAF80024	X			Leaf Suspension	4555031Z0E
JNAPC81L0AAF80025	X			Leaf Suspension	4555031Z0E
JNAPC81L2AAF80026	X			Leaf Suspension	4555031Z0E

VERTICAL EXHAUST STANDARD CHASSIS VIN'S:

VIN	Requires Both Recalls	VMMODL	Kit Part Number
JNAPC81L19AH75210	X	UD3300 With Vertical Exhaust	4555031Z1A
JNAPC81L39AH75211	X	UD3300 With Vertical Exhaust	4555031Z1A
JNAPC81L59AH75212	X	UD3300 With Vertical Exhaust	4555031Z1A
JNAPC81L79AH75213	X	UD3300 With Vertical Exhaust	4555031Z1A
JNAPC81L99AH75214	X	UD3300 With Vertical Exhaust	4555031Z1A
JNAPC81L09AH75215	X	UD3300 With Vertical Exhaust	4555031Z1A
JNAPC81L0AAH80001	X	UD3300 With Vertical Exhaust	4555031Z1A
JNAPC81L2AAH80002	X	UD3300 With Vertical Exhaust	4555031Z1A
JNAPC81L4AAH80003	X	UD3300 With Vertical Exhaust	4555031Z1A
JNAPC81L6AAH80004	X	UD3300 With Vertical Exhaust	4555031Z1A
JNAPC81L8AAH80005	X	UD3300 With Vertical Exhaust	4555031Z1A
JNAPC81LXAAH80006	X	UD3300 With Vertical Exhaust	4555031Z1A
JNAPC81L3AAH80008	X	UD3300 With Vertical Exhaust	4555031Z1A
JNAPC81L5AAH80009	X	UD3300 With Vertical Exhaust	4555031Z1A
JNAPC81L1AAH80010	X	UD3300 With Vertical Exhaust	4555031Z1A
JNAPC81L3AAH80011	X	UD3300 With Vertical Exhaust	4555031Z1A
JNAPC81L5AAH80012	X	UD3300 With Vertical Exhaust	4555031Z1A
JNAPC81L7AAH80013	X	UD3300 With Vertical Exhaust	4555031Z1A

CHASSIS COMPLETED:

Record the completion date on the applicable Safety Recall 10V-005 sticker & 10V-006 sticker and apply to the driver's left side door as shown in Figure A on page 1.

SAFETY RECALL 10V-005 COMPLETED ON _____ UD TRUCKS NORTH AMERICA

SAFETY RECALL 10V-006 COMPLETED ON _____ UD TRUCKS NORTH AMERICA

WARRANTY INFORMATION: 10V-005

Expenses for the repairs described in this Safety Recall are to be recovered through the standard UD Warranty Claim procedures listed in the UD Warranty Policies & Procedures Manual, Part V. Use the following information to prepare your claims:

WARRANTY CODE	K716
TROUBLE CODE	78900376
FAILED PART NUMBER/NAME	4515130Z0A
REPAIR DESCRIPTION	PERFORM SAFETY RECALL 10V-005
LABOR OPERATION	789X
LABOR TIME ALLOWED	20.0 HR Install 121 brake kit (Sweeper)
PARTS DISPOSITION	Dispose of removed parts following local regulations

WARRANTY INFORMATION: 10V-006

Expenses for the repairs described in this Safety Recall are to be recovered through the standard UD Warranty Claim procedures listed in the UD Warranty Policies & Procedures Manual, Part V. Use the following information to prepare your claims:

WARRANTY CODE	K717
TROUBLE CODE	76200220
FAILED PART NUMBER/NAME	4712001Z16
REPAIR DESCRIPTION	PERFORM SAFETY RECALL 10V-006
LABOR OPERATION	789X
LABOR TIME ALLOWED	2.0 HR Install Air Reservoir Tank (Vertical Exhaust) 2.3 HR Install Air Reservoir Tank (Horizontal Exhaust)
PARTS DISPOSITION	Dispose of removed parts following local regulations