

IDENTIFICATION OF DEFECTIVE CONTROL ARM ASSEMBLIES

Duralast® Brand Control Arm Assembly Recall: FA4510X, FA4611X & 10946

Defective control arm assemblies can be identified by one of the following methods depicted on this page:

Figure 1: Date Code on the Control Arm Assembly package (see page 2, column 5, for the affected date codes)

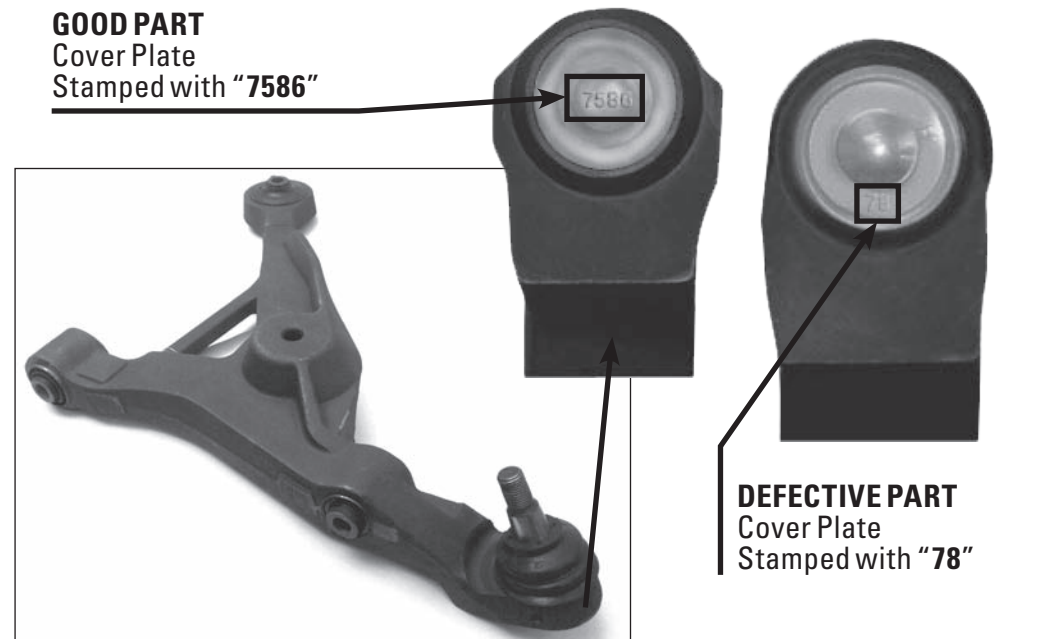
Figure 2: Numerical Stamp on the Control Arm Assembly's ball joint cover plate (see page 2, column 6, for the affected numerical stamp)

NOTE: If a GREEN DOT is present on the package (the green dot will be located left of the part number label), the part is **good**.
If no green dot is present, check the packaging date code.

Figure 1



Figure 2



Duralast® Brand Control Arm Assembly Recall: FA4510X, FA4611X & 10946

Part Number	Description	Brand	Country of Origin	Packaging Date Code	Cover Plate Stamp	Applications
FA4510X	Control Arm with ball joint (Front Lower - Left Side)	Duralast	USA	1050046 through 1050354 1500046 through 1500354 1510046 through 1510354	78	Chrysler Cirrus 1995-2000; Sebring Convertible and Sedan only 1996-2006; Dodge Stratus Sedan 2001-2006; Stratus all 1995-2000; Plymouth Breeze 1996-2000
FA4611X	Control Arm with ball joint (Front Lower - Right Side)	Duralast	USA	1050046 through 1050354 1500046 through 1500354 1510046 through 1510354	78	Chrysler Cirrus 1995-2000; Sebring Convertible and Sedan only 1996-2006; Dodge Stratus Sedan 2001-2006; Stratus all 1995-2000; Plymouth Breeze 1996-2000
10946	Control Arm with ball joint (Front Lower - Right Side)	Duralast	USA	1050046 through 1050354 1500046 through 1500354 1510046 through 1510354	78	Chrysler Cirrus 1995-2000; Sebring Convertible and Sedan only 1996-2006; Dodge Stratus Sedan 2001-2006; Stratus all 1995-2000; Plymouth Breeze 1996-2000

ACTION REQUIRED: If you find defective product in your stock, please **quarantine** those control arm assemblies and return per the instructions in the accompanying letter.