



0985 N. 900 West
Shipshewana, IN 46565
E-Mail: kz@kz-rv.com
www.kz-rv.com
1-800-768-4016

NOTICE OF SAFETY RECALL/DEFECT

Dear KZR, L.P., Travel Trailer Owner:

This notice is sent to you in accordance with the requirements of the National Traffic and Motor Vehicle Safety Act and Transport Canada.

KZR, L.P., has decided that a defect which relates to motor vehicle safety exists in certain Dimplex electric fireplaces containing a plug-in remote control receiver that can overheat, possibly causing a fire, and, as such, the vehicles equipped with these devices are defective. On June 24, 2010, Dimplex North America Ltd. announced and undertook a motor vehicle equipment safety recall to address this potential defect in Dimplex electric fireplaces and stoves, and was assigned recall number 10E-027. Dimplex and KZR, L.P., have determined that the following described units are affected by this recall:

Electric Fireplace Kits: BF6000

The KZR, L.P., travel trailer that you purchased falls into this category, according to our records. Federal regulations require that any vehicle lessor receiving this recall notice must forward a copy of this notice to the lessee within ten days.

If you have one of the recalled units you should stop using it immediately.

You should contact KZR, L.P., or your local KZR, L.P., authorized dealer, as soon as possible to arrange a service date. If your dealer fails or is unable to remedy this defect without charge and within a reasonable time, please contact KZR, L.P., at (800) 768-4016. You may submit a written complaint to the Administrator, National Highway Traffic Safety Administration, 1200 New Jersey Avenue SE, Washington, DC 20590. You may call the toll-free Vehicle Safety Hotline at 1-888-327-4236 (TTY: 800-424-9153), or go to <http://www.safercar.gov>.

In the event that you no longer own the travel trailer, please help us locate the new owner by completing the enclosed postage prepaid reply card and returning to us.

We regret any inconvenience related to this recall campaign. Our first priority is the safety of our products and the satisfaction of our customers. Thank you for your attention to this important matter.

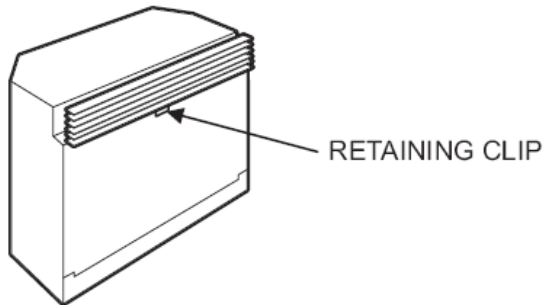
Sincerely,

Delbert Miller, Vice President Corporate
KZR, L.P.

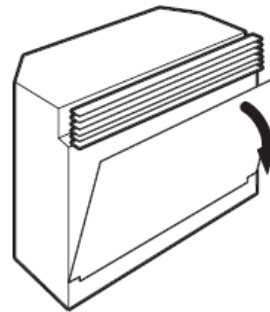
Remote Control Replacement Instructions For BF6000, BF6000*, DF2603, NNF5500

- 1) Remove the fireplace from its installed location to access the plug-in remote control behind the unit.
- 2) If the fireplace is fixed in place, follow the following instructions for fireplace removal:

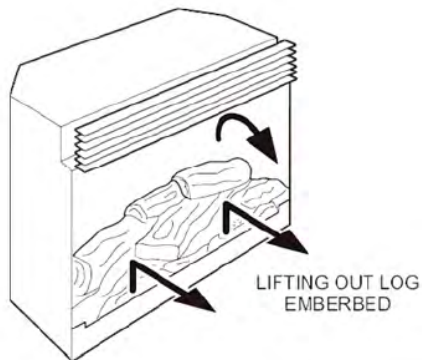
- a) Remove retaining clip using a slot screwdriver



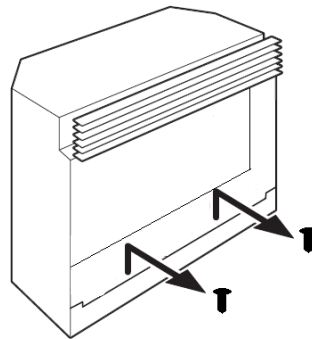
- b) Remove glass



- c) Remove log set



- d) Remove the screws that fasten the bottom of the fireplace to the floor.



- e) Pull the fireplace from its installed location to access the plug-in remote control.

If you need assistance locating the remote control receiver or removing the fireplace to access the remote, please contact Dimplex North America Technical Customer Service at 1-888-DIMPLEX (1-888-346-7539) from 8 am – 4:30 pm Eastern Monday through Friday; when prompted, press “1” for “Customer Service” and then “1” again for “Parts Service and Technical Support”.

How to identify recalled plug-in remote control receivers:

Q.C. PASSED J808
Date Code **Model Number** **OR** **DOC ID#**

Dimplex FCC ID: ELY547-47-1010-R T40
 Model #: 47-1010-R IC: 1492A-471010R
 Input: 120V~60Hz OUTPUT: AC 120V~60Hz 13MHz

This device complies with Part 15 of the FCC Rules. Operation is subject to the following two conditions: (1) This device may not cause harmful interference, and (2) This device must accept any interference received, including interference that may cause undesired operation.

CONFORMS TO UL STD. 60730-1A CERTIFIED TO CAN/CSA STD. E60730-1

CAUTION: FOR INDOOR USE ONLY.

Relative Load	15A	Motor Load	173HP
Incandescent Lamp	300W	TV	400W

Cet appareil est conforme à la partie 15 des règles de la FCC. Le fonctionnement de cet appareil est soumis aux conditions suivantes: 1) Cet appareil ne doit pas causer d'interférence nuisible 2) Cet appareil doit accepter toute interférence pouvant être reçue, y compris l'interférence pouvant causer un fonctionnement non désiré.

Alimentation: 120 Vac, 60Hz, 1ØA Puissance: 120 Vac, 60Hz

ATTENTION: POUR USAGE À L'INTÉRIEUR SEULEMENT.

Charge réactive	15A	Charge du moteur	173HP
Lampes incandescentes	300W	Télé	400W

Ce dispositif se conforme aux parties 15 des règles de la FCC. Le fonctionnement de cet appareil est soumis aux conditions suivantes: 1) Ce dispositif ne doit pas causer d'interférence nuisible 2) Ce dispositif doit accepter toute interférence pouvant être reçue, y compris l'interférence pouvant causer un fonctionnement non désiré.

Entrée: 120Vac, 60Hz, 1ØA Sortie: 120Vac, 60Hz

PRECAUCIÓN: PARA USO DE INTERIOR SOLAMENTE.

La carga reactiva	15A	La carga del motor	173HP
Las lámparas incandescentes	300W	TV	400W

Made in China / Fabriqué en Chine / Made in China 9700297

DOC ID 255K656-61-8367R

CAUTION: FOR INDOOR USE ONLY

ATTENTION: POUR USAGE À L'INTÉRIEUR SEULEMENT

UL LISTED SP LISTED

MADE IN CHINA

This style of recalled plug-in receivers have Model Numbers 47-1001 and 47-1010-R or DOC ID # 255K656-61-8367R



Handheld Transmitters

This style of recalled plug-in receiver has Model Number APT-1315

Model Number

MODEL NO. APT-1315
 FCC ID: JAY 1M-1300N
 UL FILE NO. E121729
 THIS DEVICE COMPLIES WITH PART 15 OF THE FCC RULES. OPERATION OF THIS DEVICE IS SUBJECT TO THE FOLLOWING CONDITIONS: (1) THIS DEVICE MAY NOT CAUSE HARMFUL INTERFERENCE AND (2) THIS DEVICE MUST ACCEPT ANY INTERFERENCE RECEIVED, INCLUDING INTERFERENCE THAT MAY CAUSE UNDESIRABLE OPERATION MADE IN CHINA

DATE CODE: H5101

CODE: 239

Date Code