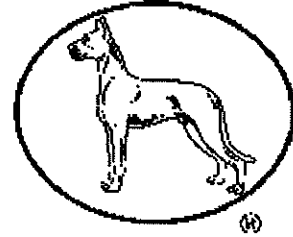


GREAT DANE

SERVICE BULLETIN



DATE: October 28, 2010

SERVICE BULLETIN #437

**TO: ALL GREAT DANE: BRANCH MANAGERS, DEALER PRINCIPALS,
SERVICE MANAGERS, PARTS MANAGERS, AND SALES MANAGERS**

FROM: Barry Mitchell – Director-Customer Service/Warranty

**SUBJECT: National Highway Traffic Safety Administration
RECALL 10V-501
ArvinMeritor MPA Trailer Suspension Systems**

Attached you will find a copy of ArvinMeritor's Technical Bulletin TP-10172 addressing the issue of the above referenced NHTSA Recall 10V-501.

This recall is in response to Great Dane Trailers notification from ArvinMeritor that 292 suspect MPA suspension systems were provided to Great Dane Trailers.

Per the attached customer letter, Great Dane Trailers has notified the customers with trailer VIN's (see attached list) that may have been manufactured with suspect suspension systems.

If you are presented with one of these trailers you should first determine the suspension serial number and contact ArvinMeritor for authorization before performing the weld inspection and/or repair procedure per TP-10172. You must contact ArvinMeritor with the trailer VIN and suspension serial number in order to complete the requirements of NHTSA Recall 10V-501.

This information should be reviewed and shared with all your service personnel and filed for future reference. If after your review should you have any questions please call Great Dane Customer Service at 912-644-2260.

MERITOR[®]
an *ArvinMeritor* brand

Technical Bulletin

Lower Axle Seat Weld Inspection and Repair for Meritor RideSentry™ MPA Series Sliding Tandem Trailer Air Suspension Systems

Hazard Alert Messages

Read and observe all Warning and Caution hazard alert messages in this publication. They provide information that can help prevent serious personal injury, damage to components, or both.

▲ WARNING

To prevent serious eye injury, always wear safe eye protection when you perform vehicle maintenance or service.

Park the vehicle on a level surface. Block the wheels to prevent the vehicle from moving. Support the vehicle with safety stands. Do not work under a vehicle supported only by jacks. Jacks can slip and fall over. Serious personal injury and damage to components can result.

How to Obtain Additional Maintenance and Service Information

Refer to Maintenance Manual 14R, RideSentry™ MPA Series Sliding Tandem Trailer Air Suspension System; and Technical Bulletin TP-0777, Installing RideSentry™ Suspension Axle Seats onto RideStar™ RHP Series Single-Axle and Sliding Tandem Trailer Air Suspension Systems. To obtain these publications, visit Literature on Demand at arvinmeritor.com.

Inspection Procedure

1. Wear safe eye protection. Park the vehicle on a level surface. Block the wheels to prevent the vehicle from moving.
2. From underneath the trailer, inspect the lower axle seat welds as follows.
 - A. Check that there are a total of four welds per axle seat side (two lower axle seats welded on each side). Figure 1.
 - B. Verify the welds are nominally 1.5-inches (38 mm) long and 0.25-inch (6.35 mm) wide on each side of the lower axle seat onto the axle. The welds should not be more than 1.5-inches (38 mm) long. Figure 2.

- If any welds are missing or incomplete: Call ArvinMeritor's OnTrac Customer Service Center at 866-OnTrac1 (668-7221) for repair authorization. Refer to Contact the ArvinMeritor OnTrac Customer Service Center at the end of this bulletin. Once you receive authorization, perform the Weld Repair Procedure in this bulletin.

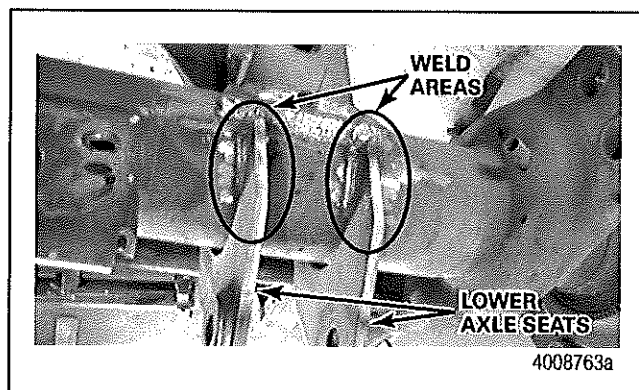


Figure 1

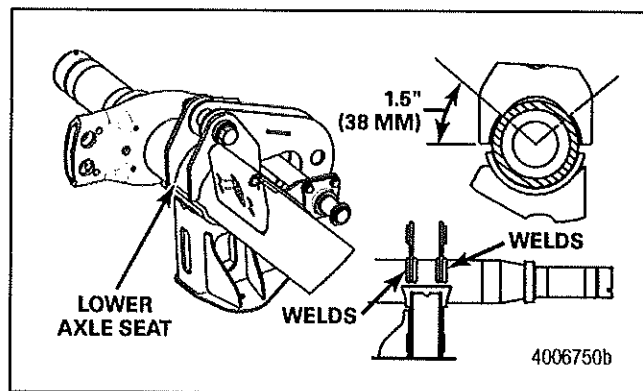


Figure 2

3. Inspect the lower axle seat welds on the other end of the axle using the same procedure.

Weld Repair Procedure

▲ WARNING

You must follow correct welding procedures and weld at locations authorized by Meritor when you weld to suspension components. Welding at locations other than those authorized by Meritor will void the warranty and can reduce trailer axle fatigue life. Serious personal injury and damage to components can result.

Wear safe clothing and eye protection when you use welding equipment. Follow instructions provided by welding equipment manufacturers to prevent serious personal injury and damage to components.

Do not weld over the end of the lower seats. Weld repairs to the axle seat must not extend more than 1.5-inches (38 mm). Welds longer than this specification may result in premature fatigue fractures to the axle tube. Serious personal injury and damage to components can result.

1. Wear appropriate clothing and eye protection when using welding equipment. Refer to Maintenance Manual 8 for complete welding instructions.
2. Use 0.035 E70 wire and 75/25 gas to weld the missing or incomplete areas. Make each weld 1.5-inches (38 mm) long and 0.25-inch (6.35 mm) wide. Welds should not be longer than 1.5-inches (38 mm). Do not weld over the end of the lower seats. Figure 2.
3. When you have finished, verify there is a total of eight complete welds, (two lower axle seats welded on each side). Continue repairs on the other end of the axle, if necessary.

- Complete 17-digit vehicle identification number (VIN)
- ArvinMeritor axle model and serial number. Figure 3.
- Vehicle owner's name, address and telephone number
- Vehicle in-service date
- Repair facility's name, address and telephone number
- Repair facility's hourly rate

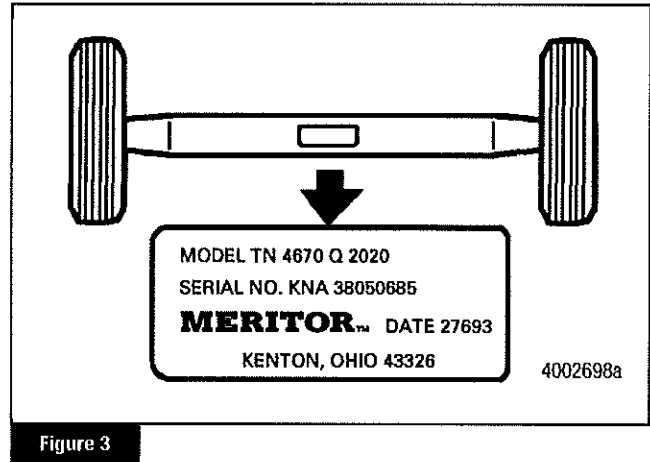


Figure 3

Contact the ArvinMeritor OnTrac Customer Service Center

Call ArvinMeritor's OnTrac Customer Service Center at 866-OnTrac1 (668-7221) (United States and Canada) between 8:00 AM and 8:00 PM ET Monday through Friday, and between 9:00 AM and 6:00 PM ET on Saturday. After selecting "preferred language," select "Option 7." The OnTrac representative will need the following information to give the repair facility the permission to proceed with the work. The OnTrac representative will also provide you with complete parts return information.

ArvinMeritor™

Meritor Heavy Vehicle Systems, LLC
2135 West Maple Road
Troy, MI 48084 USA
866-OnTrac1 (668-7221)
arvinmeritor.com

Information contained in this publication was in effect at the time the publication was approved for printing and is subject to change without notice or liability. Meritor Heavy Vehicle Systems, LLC, reserves the right to revise the information presented or to discontinue the production of parts described at any time.

Copyright 2010
ArvinMeritor, Inc.
All Rights Reserved

Printed in USA

TP-10172
Issued 09-10
(16579)



Great Dane Trailers

A Division of Great Dane Limited Partnership

October 28, 2010

SAFETY RECALL NOTICE 10V-501

Customer
Address
Address
City, State Zip

VIN's:

Re: ArvinMeritor MPA trailer suspension system

To Whom It May Concern:

This notice is sent to you in accordance with the requirements of the National Traffic Motor Vehicle Safety Act.

Great Dane Trailers has decided that a defect that relates to motor vehicle safety exists in certain trailers based on information provided by ArvinMeritor. The defect exists in certain ArvinMeritor MPA trailer suspension systems ("Systems") manufactured and supplied by ArvinMeritor and installed on trailers with the above listed vehicle identification numbers (VIN's). The suspect ArvinMeritor MPA trailer suspension systems may have missing welds at the interface of the lower seat bracket and axle beam, which could allow the axle to roll out of position and thereby potentially impact the handling of the trailer.

To address and remedy this defect ArvinMeritor has issued Technical Bulletin TP-10172 which has been attached to this letter. Customers with trailers originally equipped with suspect Systems, per the above listed VIN's, should take their trailers to any Great Dane Trailers Branch or Dealer service facility for inspection. If it is determined that any weld is missing, the System will be repaired in accordance with TP-10172 by the Great Dane Trailers service facility. If you have any questions or require further information you may contact Great Dane Customer Service at 1-877-369-3493.

If you conclude that ArvinMeritor or Great Dane Trailers has not enabled you to remedy this condition without charge and/or in a reasonable time, a complaint may be submitted to the:

Administrator
National Highway Safety Administration
1200 New Jersey Avenue SE
Washington, DC 20590

-or-

Call the toll free Vehicle Safety Hotline: 1-888-327-4236; (TTY: 800-424-9153 or go to <http://www.safecar.gov>)

We regret any inconvenience that this situation may have caused. Great Dane Trailers and ArvinMeritor want to assure you that we are concerned for customer safety and your continued satisfaction with our products.

Sincerely,

Barry A. Mitchell
Director – Customer Service/Warranty
Great Dane Trailers

VIN	VIN	VIN	VIN	VIN
1GRAA0629BW701751	1GRAA0620BW702805	1GRAA0623BB702725	1GRAA0628BB702817	1GRAA0629BW701734
1GRAA0629BW701426	1GRAA0622BW703020	1GRAA0625BB702726	1GRAA062XBB702818	1GRAA0620BW701735
1GRAA0620BW701427	1GRAA0624BW703021	1GRAA0627BB702727	1GRAA0621BB702819	1GRAA0622BW701736
1GRAA0622BW701428	1GRAA0629BW701748	1GRAA0629BB702728	1GRAA0628BB702820	1GRAA0624BW701737
1GRAA0624BW701429	1GRAA0620BW701749	1GRAA0620BB702729	1GRAA062XBB702821	1GRAA0626BW701738
1GRAA0620BW701430	1GRAA0627BW701750	1GRAA0627BB702730	1GRAA0621BB702822	1GRAA0628BW701739
1GRAA0628BW701434	1GRAA0621BW703011	1GRAA0629BB702731	1GRAA0623BB702823	1GRAA0624BW701740
1GRAA0627BW701442	1GRAA0623BW703012	1GRAA0620BB702732	1GRAA0625BB702824	1GRAA0626BW701741
1GRAA0629BW701443	1GRAA0625BW703013	1GRAA0622BB702733	1GRAA0627BB702825	1GRAA0628BW701742
1GRAA0620BW701444	1GRAA0626BW701433	1GRAA0624BB702734	1GRAA0629BB702826	1GRAA062XBB701743
1GRAA0628BW703037	1GRAA0623BB702644	1GRAA0626BB702735	1GRAA0620BB702827	1GRAA0621BW701744
1GRAA062XBBW703038	1GRAA0625BB702645	1GRAA0628BB702736	1GRAA0622BB702828	1GRAA0623BW701745
1GRAA0621BW703039	1GRAA0627BB702646	1GRAA062XBB702737	1GRAA0624BB702829	1GRAA0625BW701746
1GRAA0628BW703040	1GRAA0629BB702647	1GRAA0621BB702738	1GRAA0620BB702830	1GRAA0627BW701747
1GRAA062XBBW703041	1GRAA0620BB702648	1GRAA0623BB702739	1GRAA0622BB702831	1GRAA0629BW702999
1GRAA0621BW703042	1GRAA0622BB702649	1GRAA062XBB702740	1GRAA0624BB702832	1GRAA0627BW703000
1GRAA0623BW703043	1GRAA0629BB702650	1GRAA0621BB702741	1GRAA0626BB702833	1GRAA0629BW703001
1GRAA0625BW703044	1GRAA0620BB702651	1GRAA0623BB702742	1GRAA0628BB702834	1GRAA0620BW703002
1GRAA0627BW703045	1GRAA0622BB702652	1GRAA0625BB702743	1GRAA062XBB702835	1GRAA0622BW703003
1GRAA0629BW703046	1GRAA0624BB702653	1GRAA0627BB702744	1GRAA0621BB702836	1GRAA0624BW703004
1GRAA0620BW703047	1GRAA0626BB702654	1GRAA0629BB702745	1GRAA0623BB702837	1GRAA0626BW703005
1GRAA0622BW703048	1GRAA0628BB702655	1GRAA0620BB702746	1GRAA0625BB702838	1GRAA0628BW703006
1GRAA0624BW703049	1GRAA062XBB702656	1GRAA0622BB702747	1GRAA0627BB702839	1GRAA062XBBW703007
1GRAA0620BW703050	1GRAA0621BB702657	1GRAA0624BB702748	1GRAA0623BB702840	1GRAA0621BW703008
1GRAA0622BW703051	1GRAA0623BB702658	1GRAA0626BB702749	1GRAA0625BB702841	1GRAA0623BW703009
1GRAA0624BW703052	1GRAA0625BB702659	1GRAA0628BB702750	1GRAA0627BB702842	1GRAA062XBBW703010
1GRAA0626BW703053	1GRAA0621BB702660	1GRAA0624BB702751	1GRAA0629BB702843	1GRAA0620BW701752
1GRAA0628BW703054	1GRAA0623BB702661	1GRAA0626BB702752	1GRAA0620BB702844	1GRAA0622BW701753
1GRAA062XBBW703055	1GRAA0625BB702662	1GRAA0628BB702753	1GRAA0622BB702845	1GRAA0624BW701754
1GRAA0621BW703056	1GRAA0627BB702663	1GRAA062XBB702754	1GRAA0624BB702846	1GRAA0626BW701755
1GRAA0623BW703057	1GRAA0629BB702664	1GRAA0621BB702755	1GRAA0626BB702847	1GRAA0628BW701756
1GRAA0625BW703058	1GRAA0620BB702665	1GRAA0623BB702756	1GRAA0628BB702848	1GRAA062XBBW701757
1GRAA0627BW703059	1GRAA0622BB702666	1GRAA0625BB702757	1GRAA062XBB702849	1GRAA0621BW701758
1GRAA0629BW703060	1GRAA0624BB702667	1GRAA0627BB702758	1GRAA0626BB702850	1GRAA0623BW701759
1GRAA0625BW703061	1GRAA0626BB702668	1GRAA0629BB702759	1GRAA0628BB702851	1GRAA0625BW702993
1GRAA062XBBW702763	1GRAA0628BB702669	1GRAA0625BB702760	1GRAA062XBB702852	1GRAA0627BW702994
1GRAA0621BW702764	1GRAA0624BB702670	1GRAA0627BB702761	1GRAA0621BB702853	1GRAA0629BW702995
1GRAA0623BW702765	1GRAA0626BB702671	1GRAA0629BB702762	1GRAA0623BB702854	1GRAA0620BW702996
1GRAA0625BW702766	1GRAA0628BB702672	1GRAA0620BB702763	1GRAA0625BB702855	1GRAA0622BW702997
1GRAA0627BW702767	1GRAA062XBB702673	1GRAA0622BB702764	1GRAA0627BB702856	1GRAA0624BW702998
1GRAA0629BW702768	1GRAA0621BB702674	1GRAA0624BB702765	1GRAA0629BB702857	1GRAA0627BW703014
1GRAA0620BW702769	1GRAA0623BB702675	1GRAA0626BB702766	1GRAA0620BB702858	1GRAA0629BW703015
1GRAA0622BW702770	1GRAA0625BB702676	1GRAA0628BB702767	1GRAA0622BB702859	1GRAA062XBBW703016
1GRAA0624BW702771	1GRAA0627BB702677	1GRAA062XBB702768	1GRAA0624BB702860	1GRAA0626BW703017
1GRAA0626BW702772	1GRAA0629BB702678	1GRAA0621BB702769	1GRAA0626BB702861	1GRAA0628BW703018
1GRAA0628BW701696	1GRAA0620BB702679	1GRAA0623BB702770	1GRAA0628BB702862	1GRAA0629BW703019
1GRAA0627BW701697	1GRAA0622BB702680	1GRAA0625BB702771	1GRAA062XBB702863	1GRAA0626BW701681
1GRAA0629BW701698	1GRAA0624BB702681	1GRAA0627BB702772	1GRAA0626BB702864	1GRAA0625BW701682
1GRAA0620BW701699	1GRAA0626BB702682	1GRAA0629BB702773	1GRAA0628BB702865	1GRAA0627BW701683
1GRAA0623BW701700	1GRAA0628BB702683	1GRAA062XBB702774	1GRAA062XBB702866	1GRAA0629BW701684
1GRAA0625BW701701	1GRAA0624BB702684	1GRAA0627BB702775	1GRAA0621BB702867	1GRAA0620BW701685
1GRAA0627BW701702	1GRAA0626BB702685	1GRAA0629BB702776	1GRAA0623BB702868	1GRAA0622BW701686
1GRAA0629BW701703	1GRAA0628BB702686	1GRAA0620BB702777	1GRAA0625BB702869	1GRAA0624BW701687
1GRAA062XBBW701704	1GRAA062XBB702687	1GRAA0622BB702778	1GRAA0627BB702870	1GRAA0626BW701688
1GRAA0622BW701705	1GRAA0621BB702688	1GRAA0624BB702779	1GRAA0629BB702871	1GRAA0628BW701689
1GRAA062XBBW701760	1GRAA0623BB702689	1GRAA0626BB702780	1GRAA062XBB702872	1GRAA0629BW701690
1GRAA0626BW703022	1GRAA0625BB702690	1GRAA0628BB702781	1GRAA0626BB700955	1GRAA0626BW701691
1GRAA0628AW703215	1GRAA0621BB702691	1GRAA0624BB702782	1GRAA0620BW700956	1GRAA0628BW701692
1GRAA0621BW702716	1GRAA0623BB702692	1GRAA0626BB702783	1GRAA0622BW700957	1GRAA062XBBW701693
1GRAA0623BW702717	1GRAA0625BB702693	1GRAA0628BB702784	1GRAA0624BW700958	1GRAA0621BW701694
1GRAA0625BW702718	1GRAA0627BB702694	1GRAA0621BB702785	1GRAA0626BW700959	1GRAA0623BW701695
1GRAA0627BW702719	1GRAA0629BB702695	1GRAA0623BB702786	1GRAA0628BW701435	1GRAA0625BW701696
1GRAA0629BW702720	1GRAA0620BB702696	1GRAA0625BB702787	1GRAA062XBB701436	1GRAA0627BW701697
1GRAP0627BD438850	1GRAA0622BB702697	1GRAA0627BB702788	1GRAA0624BW701706	1GRAA0629BW701698
1GRAP0620BD438849	1GRAA0624BB702698	1GRAA0629BB702789	1GRAA0626BW701707	1GRAA062XBBW701708
1GRAA0622BW701431	1GRAA0626BB702699	1GRAA062XBB702790	1GRAA0628BW701708	1GRAA0629BW701709
1GRAA0623BW701437	1GRAA0628BB702700	1GRAA0621BB702791	1GRAA0626BW701710	1GRAA0620BW701711
1GRAA0625BW701438	1GRAA0623BB702701	1GRAA0623BB702792	1GRAA0628BW701711	1GRAA0622BW701712
1GRAA0627BW701439	1GRAA0625BB702702	1GRAA0625BB702793	1GRAA062XBBW701712	1GRAA0624BW701713
1GRAA0629BW701440	1GRAA0627BB702703	1GRAA0627BB702794	1GRAA0626BW701714	1GRAA0628BW701715
1GRAA062XBBW701441	1GRAA0629BB702704	1GRAA0629BB702795	1GRAA0629BW701716	1GRAA062XBBW701717
1GRAA0624BW701432	1GRAA0620BB702705	1GRAA062XBB702796	1GRAA0620BW701718	1GRAA0623BW701719
1GRAA0620BW702786	1GRAA0622BB702706	1GRAA0624BB702797	1GRAA0622BW701720	1GRAA0625BW701721
1GRAA0622BW702787	1GRAA0624BB702707	1GRAA0626BB702798	1GRAA0624BW701721	1GRAA0627BW701722
1GRAA0624BW702788	1GRAA0626BB702708	1GRAA0628BB702799	1GRAA0626BW701722	1GRAA0629BW701723
1GRAA0626BW702789	1GRAA0628BB702709	1GRAA062XBB702800	1GRAA0628BW701723	1GRAA062XBBW701724
1GRAA0628BW702790	1GRAA062XBB702710	1GRAA0621BB702801	1GRAA0626BW701724	1GRAA0620BW701725
1GRAA0629BW702791	1GRAA0623BB702711	1GRAA0623BB702802	1GRAA0628BW701725	1GRAA0622BW701726
1GRAA0620BW702792	1GRAA0625BB702712	1GRAA0625BB702803	1GRAA0629BW701726	1GRAA0624BW701727
1GRAA0622BW702793	1GRAA0627BB702713	1GRAA0627BB702804	1GRAA0626BW701727	1GRAA0628BW701728
1GRAA0624BW702794	1GRAA0629BB702714	1GRAA0629BB702805	1GRAA0629BW701728	1GRAA062XBBW701729
1GRAA0626BW702795	1GRAA0620BB702715	1GRAA062XBB702806	1GRAA0620BW701729	1GRAA0623BW701730
1GRAA0628BW702796	1GRAA0622BB702716	1GRAA0624BB702807	1GRAA0622BW701730	1GRAA0625BW701731
1GRAA0629BW702797	1GRAA0624BB702717	1GRAA0626BB702808	1GRAA0624BW701731	1GRAA0627BW701732
1GRAA062XBBW702798	1GRAA0626BB702718	1GRAA0628BB702809	1GRAA0626BW701732	1GRAA0629BW701733
1GRAA0621BW702800	1GRAA0628BB702719	1GRAA062XBB702810	1GRAA0628BW701733	
1GRAA0623BW702801	1GRAA062XBB702720	1GRAA0621BB702811		
1GRAA0625BW702802	1GRAA0623BB702721	1GRAA0623BB702812		
1GRAA0627BW702803	1GRAA0625BB702722	1GRAA0625BB702813		
1GRAA0629BW702804	1GRAA0627BB702723	1GRAA0627BB702814		
1GRAA0620BW702805	1GRAA0629BB702724	1GRAA0629BB702815		
1GRAA0622BW702806	1GRAA062XBB702725	1GRAA062XBB702816		
1GRAA0624BW702807				
1GRAA0626BW702808				
1GRAA0628BW702809				
1GRAA062XBBW702810				
1GRAA0621BW702811				
1GRAA0623BW702812				
1GRAA0625BW702813				
1GRAA0627BW702814				
1GRAA0629BW702815				
1GRAA0620BW702816				