

Newmar Corporation Warranty Department

Technical Service Bulletin									
Date Issued	Model Year(s) Affected			Model(s) Affected		TSB #			
12/17/2010	2008-2010			Dutch Star, Dutch Aire, Mountain Aire		378			
Brand						Type			
All <input type="checkbox"/>	American Star <input type="checkbox"/>	Mountain Aire <input type="checkbox"/>	All <input type="checkbox"/>	TT <input type="checkbox"/>					
Cypress <input type="checkbox"/>	Dutch Star <input checked="" type="checkbox"/>	Kountry Aire <input type="checkbox"/>	FW <input type="checkbox"/>	CA <input type="checkbox"/>					
Northern Star <input type="checkbox"/>	Kountry Star <input type="checkbox"/>	Essex <input type="checkbox"/>	DP <input checked="" type="checkbox"/>	DB <input type="checkbox"/>					
Scottsdale <input type="checkbox"/>	King Aire <input type="checkbox"/>	Dutch Aire <input checked="" type="checkbox"/>							
All Star ME <input type="checkbox"/>	Ventana <input type="checkbox"/>	Bay Star <input type="checkbox"/>							
<table style="width:100%; border: none;"> <tr> <td style="width: 50%; vertical-align: top;"> <input type="checkbox"/> Air Conditioning & Heating <input type="checkbox"/> Appliances & Accessories <input type="checkbox"/> Cabinets & Furniture <input checked="" type="checkbox"/> Chassis Components <input type="checkbox"/> Construction Components </td> <td style="width: 50%; vertical-align: top;"> <input type="checkbox"/> Electrical Components <input type="checkbox"/> Exterior Components <input type="checkbox"/> Interior Components <input type="checkbox"/> Plumbing & Bath Components <input type="checkbox"/> Windows, Awnings, Vents, & Doors </td> </tr> </table>								<input type="checkbox"/> Air Conditioning & Heating <input type="checkbox"/> Appliances & Accessories <input type="checkbox"/> Cabinets & Furniture <input checked="" type="checkbox"/> Chassis Components <input type="checkbox"/> Construction Components	<input type="checkbox"/> Electrical Components <input type="checkbox"/> Exterior Components <input type="checkbox"/> Interior Components <input type="checkbox"/> Plumbing & Bath Components <input type="checkbox"/> Windows, Awnings, Vents, & Doors
<input type="checkbox"/> Air Conditioning & Heating <input type="checkbox"/> Appliances & Accessories <input type="checkbox"/> Cabinets & Furniture <input checked="" type="checkbox"/> Chassis Components <input type="checkbox"/> Construction Components	<input type="checkbox"/> Electrical Components <input type="checkbox"/> Exterior Components <input type="checkbox"/> Interior Components <input type="checkbox"/> Plumbing & Bath Components <input type="checkbox"/> Windows, Awnings, Vents, & Doors								
Description of Problem									
The attached Spartan Chassis MH Recall Service Bulletin is released regarding the TRW Steering Column Missing Welds:									
Recommended Solution									
<p>Applies to: Certain Spartan Chassis, Inc recreational vehicle chassis produced as Mountain Masters built for Newmar and having a VDM (Vehicle Date of Manufacture) of June 17, 2007 through March 15, 2010.</p> <p>Condition: TRW Intermediate Steering Column Mis-applied Welds</p> <p>Cause: On Certain intermediate steering shafts, circumferential weld beads fusing the splined shaft to the intermediate shaft may have been mislocated potentially reducing the torsional and axial load capacity of the shaft.</p> <p>Correction: Inspect the affected shaft as required. Replace steering slip shaft as necessary.</p> <p>Labor time: .20 for inspection, 1.0 hour for inspection and replacement.</p> <p>Flat rate code: 10V-288</p>									

If you have any questions regarding this T.S.B., please contact a Warranty Service Representative at Newmar Corporation.



SPARTAN CHASSIS, INC.

1000 REYNOLDS RD • CHARLOTTE, MI 48813 • 517.543.6400

June, 2010

[REDACTED]

[REDACTED]

Dear Final Stage Manufacturer,

This notice is sent to you in accordance with the requirements of the National Traffic and Motor Vehicle Safety Act.

Spartan Motors Chassis, Inc. has determined a defect which relates to motor vehicle safety exists in certain incomplete recreational vehicle chassis assembled by Spartan Motors Chassis, Inc. equipped with a TRW IGEN3 intermediate steering columns.

What Products Are Affected?

Certain "MM" model chassis equipped with the aforementioned shaft.

What is the problem?

The weld bead on the defective intermediate shaft may not be properly located over the joint.

What are the risks to motor vehicle safety?

The improperly located weld bead has the potential to reduce the ultimate torsional and axial load capacity of the joint to an unacceptable level.

What should the final stage manufacturer do?

On the attached document, you will find a list of chassis, which may have the suspect engines; Spartan Chassis has sold to you. If you agree the identified chassis, contains a safety defect, you are reminded of your responsibility to notify the National Highway Traffic Safety Administration (NHTSA) in accordance with 49CFR573. It is a violation of federal regulation to sell a vehicle subject to a safety recall without the recall first being remedied.

Contact a Spartan Motors Chassis, Inc. Customer Service group to schedule an inspection by an approved service facility.



SPARTAN CHASSIS, INC.

1000 REYNOLDS RD • CHARLOTTE, MI 48813 • 517.543.6400

What will Spartan Motors Chassis, Inc. do?

Spartan Motors Chassis, Inc. will work coordinate, with service centers, efforts to ensure the field remedy is conducted for the affected units. The service center will inspect, and replace as necessary, per the prescribed conditions in RSB10-260-001.

For questions regarding warranty claims, please call 800-393-8861 Option 4.

We regret any inconvenience this situation may cause. Spartan Chassis is committed to customer safety and satisfaction.

Sincerely,

Wesley D. Chestnut
Senior Compliance Analyst
Office: 517.543.6400 ext. 3275
Cell: 517.231.0712
Fax: 517.543.7729
Email: wdchestn@spartanmotors.com

SPARTAN MOTORS CHASSIS, INC.

Page 1 of 3



NHTSA # 10V-288

July, 2010

RECALL SERVICE BULLETIN

SUBJECT: Steering – TRW Intermediate Steering Column Missing Welds

APPLIES TO: Certain Spartan Motors Chassis, Inc. recreational vehicle chassis produced as Mountain Master's built for Newmar and having a VDM (Vehicle Date of Manufacture) of June 17, 2007 through March 15, 2010.

CONDITION: TRW Intermediate Steering Column Mis-applied Welds

CAUSE: On certain intermediate steering shafts, circumferential weld beads fusing the splined shaft to the intermediate shaft may have been mislocated potentially reducing the torsional and axial load capacity of the shaft.

CORRECTION: **Inspect the affected shaft as required.** Replace steering slip shaft as necessary.

PLEASE READ THE ENTIRE BULLETIN BEFORE PROCEEDING WITH ANY WORK AND CONTACT SPARTAN CHASSIS INC. IF THERE ARE ANY CONCERNS WITH THE PROCEDURES CONTAINED IN THIS DOCUMENT.

PART / SERVICE INFORMATION:

Labor Time: .20 hours for inspection, 1 hour for inspection and replacement

<u>QTY.</u>	<u>Part Number</u>	<u>Description</u>
1	S-2254-005	Kit-Steering Shaft Retrofit
1	S-2254-007	Kit-Steering Shaft Retrofit
1	S-2254-008	Kit-Steering Shaft Retrofit

Kit # S-2254-005 Contains:

<u>QTY.</u>	<u>Part Number</u>	<u>Description</u>
1	1440-KK1-005	Shaft-Strg Slip, TRW
1	M10150LN7Z	Nut M10X1.5 10.9 Lock (Torque Nut to 40lbs. ft.)
1	M10150050H7Z	Bolt M10 1.50X50 Hex 10.9 Zn
1	0714LNZ	Nut Lock 7/16-14 Zinc (Torque Nut to 50lbs. ft.)
1	07140200H8Z	Bolt 7/16-14X2.00 Hex Gr8
1	RSB10-260-001	Document Instructions

Technical Service Bulletins are intended for use by Professional Technicians only. They are written to guide Professional Technicians in performing service to vehicles of product specific nature in conjunction with industry standards. Professional Technicians are appropriately trained on industry standards and have the tools and equipment to perform procedures safely and properly.

I0013

RSB10-260-001

SPARTAN MOTORS CHASSIS, INC.

Page 2 of 3



NHTSA # 10V-288

July, 2010

RECALL SERVICE BULLETIN

Kit # S-2254-007 Contains:

<u>QTY.</u>	<u>Part Number</u>	<u>Description</u>
1	1440-KK1-007	Shaft-Strg Slip, TRW
1	M10150LN7Z	Nut M10X1.5 10.9 Lock (Torque Nut to 40lbs. ft.)
1	M10150050H7Z	Bolt M10 1.50X50 Hex 10.9 Zn
1	0714LNZ	Nut Lock 7/16-14 Zinc (Torque Nut to 50lbs. ft.)
1	07140200H8Z	Bolt 7/16-14X2.00 Hex Gr8
1	RSB10-260-001	Document Instructions

Kit # S-2254-008 Contains:

<u>QTY.</u>	<u>Part Number</u>	<u>Description</u>
1	1440-KK1-008	Shaft-Strg Slip, TRW
1	M10150LN7Z	Nut M10X1.5 10.9 Lock (Torque Nut to 40lbs. ft.)
1	M10150050H7Z	Bolt M10 1.50X50 Hex 10.9 Zn
1	M08125FLNZ	Lock Nut (Torque Nut to 30lbs. ft.)
1	M08125050H7B	Bolt M8 1.25X50 Hex Blk Head Cap Screw
1	RSB10-260-001	Document Instructions

STEP-BY-STEP INSTRUCTIONS:

1. Observe all industry safety standards, disconnect any necessary power source, and secure vehicle for replacing slip shaft.
2. In accordance with TRW Service Procedure #COL-201, inspect steering slip shaft from steering column to miter box and or steering gear depending on the configuration of the chassis.
3. If the shaft needs replaced follow the step by step instructions.

NOTE: Ensure steering wheel is centered.

4. Center steering wheel prior to removing the steering slip shaft.
5. Remove clamp at the top of the steering column rubber boot located at the bottom of the steering column going to the floor to gain access to the pinch bolt located at the top of slip shaft. Retain clamp for reuse.
6. Refer to FIG. 3-1. Remove pinch bolt at steering column end of steering slip shaft. Properly discard hardware.
7. Refer to FIG. 3-1. Remove steering slip shaft from bottom of steering column.

Technical Service Bulletins are intended for use by Professional Technicians only. They are written to guide Professional Technicians in performing service to vehicles of product specific nature in conjunction with industry standards. Professional Technicians are appropriately trained on industry standards and have the tools and equipment to perform procedures safely and properly.

10013

RSB10-260-001

SPARTAN MOTORS CHASSIS, INC.

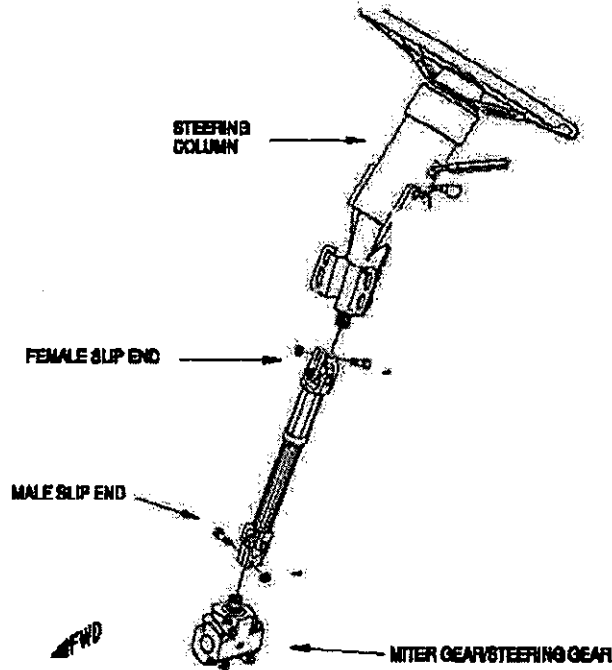
Page 3 of 3



NHTSA # 10V-288

July, 2010

RECALL SERVICE BULLETIN



TYPICAL INTERMEDIATE SHAFT SHOWN

FIG. 3-1

NOTE: For steering wheel applications with a clock spring: If either of the lower shaft attachments are disconnected, care must be taken to keep from turning the steering wheel or the clock spring mechanism could be damaged.

8. Refer to FIG. 3-1. Remove pinch bolt at gear box and or miter box end of steering slip shaft. Properly discard hardware.
9. Refer to FIG. 3-1. Remove steering slip shaft and retain to ship back to Spartan Motors Chassis, Inc.

NOTE: The steering slip shaft must be returned using the RMA process.

10. Refer to FIG. 3-1. Install new slip shaft in reverse order using new hardware. Torque bolts to proper values listed in service kit information on pages 1 and 2.
11. Reinstall rubber boot and clamp. Secure as needed.
12. If any power source was disconnected reconnect power source.

Technical Service Bulletins are intended for use by Professional Technicians only. They are written to guide Professional Technicians in performing service to vehicles of product specific nature in conjunction with industry standards. Professional Technicians are appropriately trained on industry standards and have the tools and equipment to perform procedures safely and properly.

10013

RSB10-260-001