

Four Winds International RECALL REPAIR INSTRUCTIONS



NHTSA RECALL #:	10V-268		
Description/Title:	EXHAUST HEAT SHIELD		
Affected Product Line(s):	2009-2011 FREEDOM ELITE MODEL 21C		
Service Campaign # :	RC000014	Released Date:	06/23/2010
Failure Code:	FWITC80405V	Document Date:	06/18/2010
Time Allowed:	0.3 Hrs	Document Revision:	A

**2009-2011 FREEDOM ELITE MODEL 21C MOTOR HOMES MANUFACTURED FROM
FEBRUARY 2009 THROUGH MAY 2010**
(See list on page 5-7 for VIN numbers involved)

SUMMARY:

FOUR WINDS IS RECALLING CERTAIN MODEL YEAR 2009-2011 FREEDOM ELITE MODEL 21C MOTOR HOMES MANUFACTURED FROM FEBRUARY 2009 THROUGH MAY 2010. THESE MOTOR HOMES DO NOT HAVE THE REQUIRED HEAT SHIELD OVER THE EXHAUST AS SPECIFIED BY THE CHASSIS MANUFACTURER. WITHOUT THE HEAT SHIELD IN PLACE HEAT IS NOT PROPERLY DISSIPATED AROUND THE EXHAUST OF THE VEHICLE.

CONSEQUENCE:

THIS POTENTIALLY COULD RESULT IN A FIRE. IN THE EVENT OF A FIRE, THERE IS A POTENTIAL FOR PROPERTY DAMAGE, PERSONAL INJURY OR DEATH.

REMEDY:

DEALERS WILL INSTALL A HEAT SHIELD BETWEEN THE EXHAUST AND THE RESIDENTIAL PART OF THE MOTOR HOME TO DISSIPATE ANY HEAT ACCUMULATION. THIS SERVICE WILL BE PERFORMED FREE OF CHARGE TO THE OWNER OF THE VEHICLE.

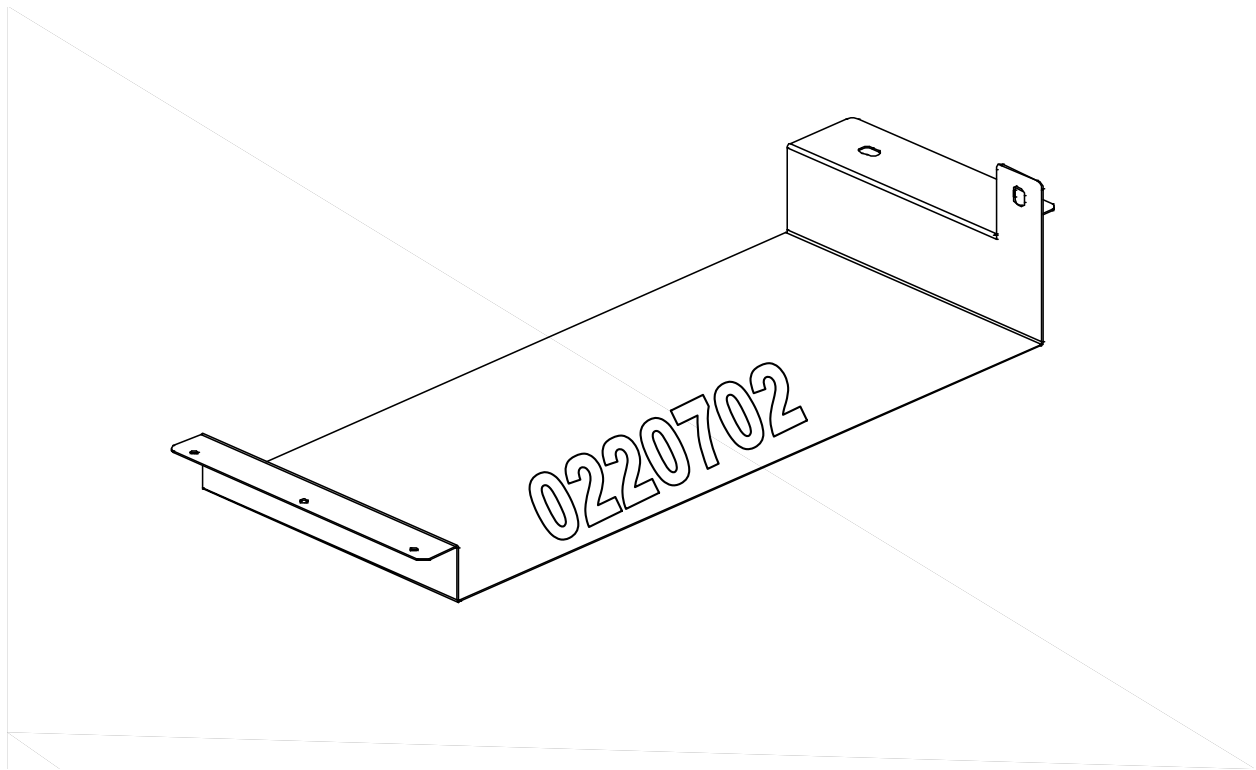
REIMBURSEMENT AND PARTS:

DEALERS CAN CONTACT THOR MOTORIZED SERVICES AT 877-500-1020, OR FILE A CLAIM, AND ORDER PARTS ONLINE AT www.thormotorizedservices.com

Four Winds International RECALL REPAIR INSTRUCTIONS



NHTSA RECALL #: **10V-268**
Description/Title: **EXHAUST HEAT SHIELD**
Affected Product Line(s): **2009-2011 FREEDOM ELITE MODEL 21C**
Service Campaign # : **RC000014** Released Date:
Failure Code: **FWITC80405V** Document Date: **06/18/2010**
Time Allowed: **0.3 Hrs** Document Revision: **A**



Replacement Part Information:

QTY:	Description:	Part number:
1	HEAT SHIELD, GALVANIZED, FM-6907	0220702
2	5/16-18 Serrated Hex Nut	0109503
2	5/16-18 x 1 1/4 Hex Bolt	0109115
4	5/16 flat washer	0135801
3	14 X 1 self drilling Hex screw	0109336

Four Winds International RECALL REPAIR INSTRUCTIONS



NHTSA RECALL #: **10V-268**

Description/Title: **EXHAUST HEAT SHIELD**

Affected Product Line(s): **2009-2011 FREEDOM ELITE MODEL 21C**

Service Campaign # : **RC000014**

Released Date:

Failure Code: **FWITC80405V**

Document Date: **06/18/2010**

Time Allowed: **0.3 Hrs**

Document Revision: **A**

1. Place the coach on a level surface, and set the parking brake.



Fig. 1

2. The exhaust tip clamp must be rotated so that it is horizontal to the exhaust pipe (Fig. 1) , as it interferes with the installation of the heat shield.

Four Winds International RECALL REPAIR INSTRUCTIONS



NHTSA RECALL #: **10V-268**
Description/Title: **EXHAUST HEAT SHIELD**
Affected Product Line(s): **2009-2011 FREEDOM ELITE MODEL 21C**
Service Campaign #: **RC000014** Released Date:
Failure Code: **FWITC80405V** Document Date: **06/18/2010**
Time Allowed: **0.3 Hrs** Document Revision: **A**

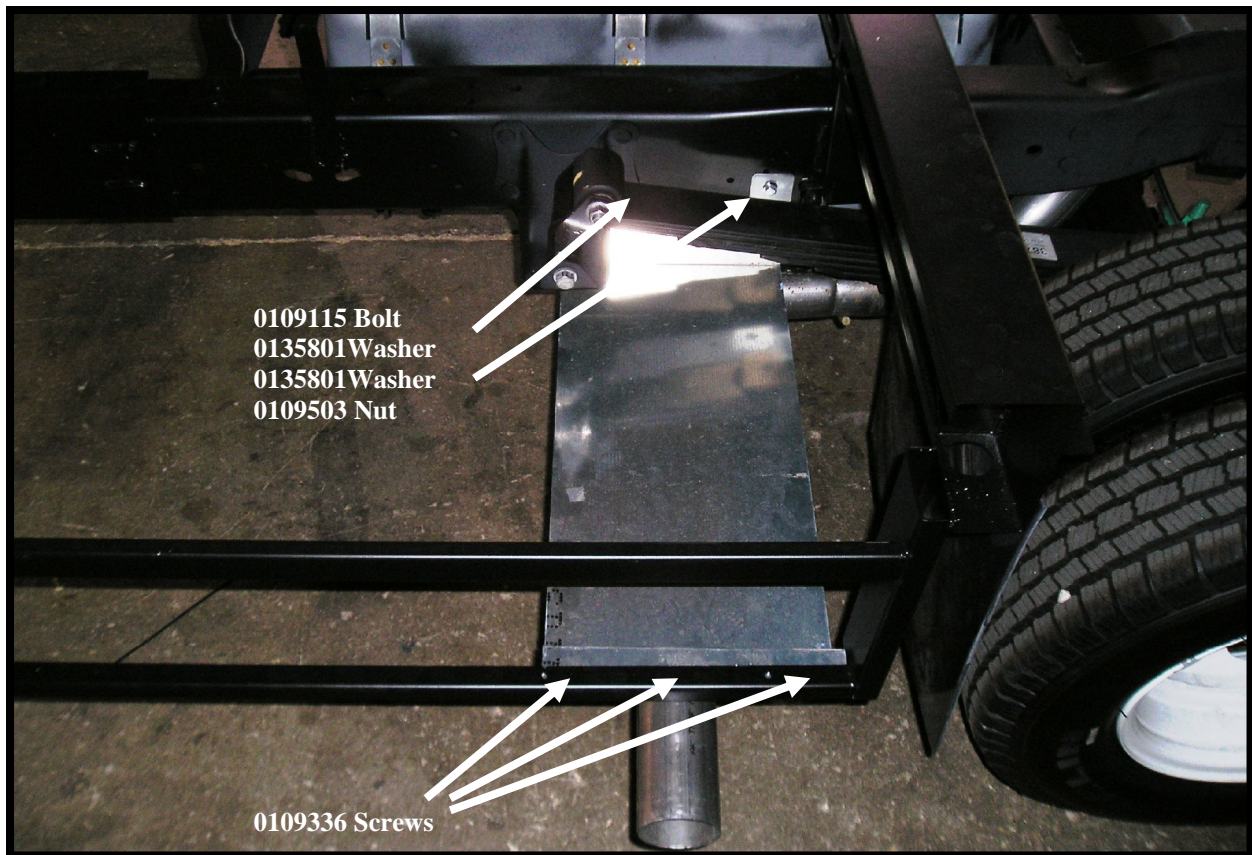


Fig. 2

Note: Do not drill additional holes in the Ford OEM frame rail.

3. The heat shield is installed directly above the Ford OEM exhaust pipe between the Ford OEM frame rails and the outside of the Four Winds wall structure (Fig. 2). The Ford OEM frame rail has two pre-drilled holes between the spring shackle, and the exhaust hanger. The bolts provided in the kit will secure the heat shield to the frame rail.
4. At the outside wall the heat shield will attach to the bottom of the 1x1 metal tube with the three 14x1 self drilling screws provided.

Four Winds International RECALL REPAIR INSTRUCTIONS



NHTSA RECALL #: **10V-268**
Description/Title: **EXHAUST HEAT SHIELD**
Affected Product Line(s): **2009-2011 FREEDOM ELITE MODEL 21C**
Service Campaign #: **RC000014** Released Date:
Failure Code: **FWITC80405V** Document Date: **06/18/2010**
Time Allowed: **0.3 Hrs** Document Revision: **A**

1FDWE35S88DB47528	1FDWE35S99DA58701	1FDWE35S49DA71422	1FDWE35S79DA82785
1FDWE35S09DA00623	1FDWE35SX9DA58691	1FDWE35S59DA70294	1FDWE35S59DA84373
1FDWE35S09DA58666	1FDWE35S09DA58697	1FDWE35SX9DA70291	1FDWE35SX9DA82800
1FDWE35S19DA02767	1FDWE35SX9DA58657	1FDWE35S89DA71424	1FDWE35S69DA88030
1FDWE35S19DA58658	1FDWE35S59DA58694	1FDWE35SX9DA71425	1FDWE35S79DA89381
1FDWE35S19DA58661	1FDWE35S29DA58703	1FDWE35S19DA70292	1FDWE35SX9DA88029
1FDWE35S19DA58675	1FDWE35S69DA58686	1FDWE35S09DA71417	1FDWE35S59DA89380
1FDWE35S29DA58670	1FDWE35S69DA58705	1FDWE35S69DA71423	1FDWE35S89DA88031
1FDWE35S99DA00622	1FDWE35S89DA58673	1FDWE35S79DA71415	1FDWE35S79DA89378
1FDWE35S39DA58659	1FDWE35S99DA58665	1FDWE35S39DA71427	1FDWE35S99DA89379
1FDWE35S49DA58654	1FDWE35S19DA58689	1FDWE35S49DA71419	1FDWE35S69DA91980
1FDWE35S49DA58668	1FDWE35S19DA60278	1FDWE35S99DA71416	1FDWE35S89DA91981
1FDWE35S59DA58663	1FDWE35S19DA60281	1FDWE35S99DA70296	1FDWE35SX9DA91982
1FDWE35S69DA58669	1FDWE35S19DA65383	1FDWE35S29DA71435	1FDWE35S69DA88027
1FDWE35S99DA58679	1FDWE35S39DA60279	1FDWE35S39DA71394	1FDWE3FS1ADA00567
1FDWE35S29DA58667	1FDWE35S39DA60282	1FDWE35S79DA71432	1FDWE3FS6ADA00564
1FDWE35S69DA58672	1FDWE35S69DA60275	1FDWE35S19DA71426	1FDWE3FS3ADA00568
1FDWE35S79DA58664	1FDWE35S69DA65380	1FDWE35S89DA71407	1FDWE3FS2ADA00562
1FDWE35S89DA58656	1FDWE35S89DA60276	1FDWE35S29DA71421	1FDWE3FS1ADA00570
1FDWE35SX9DA58660	1FDWE35SX9DA60277	1FDWE35S89DA71438	1FDWE3FS5ADA00569
1FDWE35S39DA58676	1FDWE35SX9DA60280	1FDWE35S69DA71437	1FDWE3FS3ADA00571
1FDWE35S49DA58699	1FDWE35S89DA65381	1FDWE35S09DA71398	1FDWE3FSXADA00566
1FDWE35S59DA58677	1FDWE35SX9DA65379	1FDWE35SX9DA71439	1FDWE3FS5ADA00572
1FDWE35S59DA58680	1FDWE35S69DA65377	1FDWE35S29DA71404	1FDWE3FS7ADA00573
1FDWE35S69DA58655	1FDWE35S39DA65384	1FDWE35S79DA71396	1FDWE3FS9ADA00574
1FDWE35S79DA58678	1FDWE35SX9DA65382	1FDWE35S99DA71397	1FDWE3FS0ADA00575
1FDWE35S99DA58682	1FDWE35S79DA00621	1FDWE35S29DA71399	1FDWE3FS4ADA00577
1FDWE35S29DA58698	1FDWE35S89DA02765	1FDWE35S09DA71403	1FDWE3FS2ADA00576
1FDWE35S39DA58693	1FDWE35S59DA00620	1FDWE35S09DA71434	1FDWE3FS8ADA00579
1FDWE35SX9DA58674	1FDWE35SX9DA02766	1FDWE35S79DA71401	1FDWE3FS6ADA00581
1FDWE35S49DA58704	1FDWE35S59DA65385	1FDWE35S69DA71406	1FDWE3FS6ADA00578
1FDWE35S79DA58695	1FDWE35S89DA65378	1FDWE35S39DA71430	1FDWE3FS8ADA00582
1FDWE35S79DA58700	1FDWE35S49DA65376	1FDWE35S99DA71433	1FDWE3FS4ADA00580
1FDWE35S89DA58690	1FDWE35SX9DA70288	1FDWE35S99DA71402	1FDWE3FS1ADA03159
1FDWE35S99DA58696	1FDWE35S19DA70289	1FDWE35S29DA74254	1FDWE3FS8ADA03157
1FDWE35S09DA58683	1FDWE35S09DA71420	1FDWE35SX9DA71392	1FDWE3FS8ADA03160
1FDWE35S09DA58702	1FDWE35S89DA70290	1FDWE35S59DA74250	1FDWE3FS1ADA03162
1FDWE35S19DA58692	1FDWE35S39DA70293	1FDWE35S79DA71429	1FDWE3FSXADA03161
1FDWE35S49DA58685	1FDWE35S29DA71418	1FDWE35S79DA74251	1FDWE3FS3ADA03163
1FDWE35S89DA58687	1FDWE35S79DA70295	1FDWE35S29DA80054	1FDWE3FS7ADA03165

Four Winds International RECALL REPAIR INSTRUCTIONS



NHTSA RECALL #: **10V-268**
 Description/Title: **EXHAUST HEAT SHIELD**
 Affected Product Line(s): **2009-2011 FREEDOM ELITE MODEL 21C**
 Service Campaign #: **RC000014** Released Date:
 Failure Code: **FWITC80405V** Document Date: **06/18/2010**
 Time Allowed: **0.3 Hrs** Document Revision: **A**

- | | | | |
|-------------------|-------------------|-------------------|-------------------|
| 1FDWE3FS5ADA03164 | 1FDWE3FS1ADA12136 | 1FDWE3FS6ADA22693 | 1FDWE3FS4ADA40836 |
| 1FDWE3FS2ADA03168 | 1FDWE3FS0ADA12130 | 1FDWE3FS7ADA22699 | 1FDWE3FS3ADA40830 |
| 1FDWE3FS0ADA03170 | 1FDWE3FS3ADA12137 | 1FDWE3FS7ADA22704 | 1FDWE3FS5ADA40845 |
| 1FDWE3FS4ADA03169 | 1FDWE3FS2ADA12145 | 1FDWE3FS9ADA22705 | 1FDWE3FS6ADA40837 |
| 1FDWE3FS4ADA03172 | 1FDWE3FS2ADA12131 | 1FDWE3FS8ADA20640 | 1FDWE3FS8ADA40838 |
| 1FDWE3FS3ADA05415 | 1FDWE3FS3ADA12140 | 1FDWE3FSXADA22695 | 1FDWE3FS3ADA40844 |
| 1FDWE3FS6ADA03173 | 1FDWE3FS9ADA12126 | 1FDWE3FSXADA22700 | 1FDWE3FS2ADA40852 |
| 1FDWE3FS1ADA05428 | 1FDWE3FS4ADA12129 | 1FDWE3FS1ADA20625 | 1FDWE3FS7ADA40846 |
| 1FDWE3FS5ADA05416 | 1FDWE3FS4ADA12132 | 1FDWE3FS8ADA22694 | 1FDWE3FS4ADA40853 |
| 1FDWE3FS0ADA05422 | 1FDWE3FSXADA12135 | 1FDWE3FS1ADA22701 | 1FDWE3FS8ADA40855 |
| 1FDWE3FS3ADA05429 | 1FDWE3FS7ADA12139 | 1FDWE3FS1ADA22696 | 1FDWE3FSXADA37620 |
| 1FDWE3FS8ADA05426 | 1FDWE3FS2ADA05423 | 1FDWE3FS2ADA24165 | 1FDWE3FS9ADA37611 |
| 1FDWE3FS6ADA05425 | 1FDWE3FS5ADA12138 | 1FDWE3FS4ADA24166 | 1FDWE3FSXADA37617 |
| 1FDWE3FS4ADA05424 | 1FDWE3FSXADA15150 | 1FDWE3FS8ADA34182 | 1FDWE3FS1ADA37604 |
| 1FDWE3FS7ADA05420 | 1FDWE3FS4ADA12146 | 1FDWE3FS1ADA34184 | 1FDWE3FS7ADA37607 |
| 1FDWE3FSXADA05427 | 1FDWE3FS5ADA12141 | 1FDWE3FS4ADA34163 | 1FDWE3FS1ADA37618 |
| 1FDWE3FS9ADA05421 | 1FDWE3FS5ADA15153 | 1FDWE3FS6ADA34164 | 1FDWE3FS7ADA37610 |
| 1FDWE3FS1ADA05431 | 1FDWE3FS8ADA12134 | 1FDWE3FS2ADA34176 | 1FDWE3FS2ADA37613 |
| 1FDWE3FS0ADA05436 | 1FDWE3FS2ADA12128 | 1FDWE3FS3ADA34168 | 1FDWE3FS4ADA37614 |
| 1FDWE3FS7ADA05434 | 1FDWE3FS2ADA15157 | 1FDWE3FS3ADA34171 | 1FDWE3FS8ADA37616 |
| 1FDWE3FS2ADA05437 | 1FDWE3FS9ADA15155 | 1FDWE3FS4ADA34177 | 1FDWE3FS9ADA37608 |
| 1FDWE3FS4ADA05438 | 1FDWE3FS0ADA15156 | 1FDWE3FS5ADA34169 | 1FDWE3FS0ADA40817 |
| 1FDWE3FS4ADA05441 | 1FDWE3FS3ADA05446 | 1FDWE3FS5ADA34172 | 1FDWE3FS1ADA37621 |
| 1FDWE3FS2ADA05440 | 1FDWE3FS0ADA05453 | 1FDWE3FS4ADA37595 | 1FDWE3FS3ADA37619 |
| 1FDWE3FS6ADA05442 | 1FDWE3FS1ADA05414 | 1FDWE3FS2ADA37594 | 1FDWE3FS4ADA40819 |
| 1FDWE3FS8ADA05443 | 1FDWE3FS2ADA05454 | 1FDWE3FS9ADA37592 | 1FDWE3FS1ADA40826 |
| 1FDWE3FS1ADA05445 | 1FDWE3FS7ADA20631 | 1FDWE3FS7ADA37588 | 1FDWE3FS1ADA40843 |
| 1FDWE3FS5ADA05450 | 1FDWE3FS0ADA20633 | 1FDWE3FS8ADA37597 | 1FDWE3FS2ADA40821 |
| 1FDWE3FS9ADA05452 | 1FDWE3FS2ADA20634 | 1FDWE3FS8ADA37602 | 1FDWE3FS8ADA40824 |
| 1FDWE3FS5ADA05447 | 1FDWE3FS9ADA20632 | 1FDWE3FSXADA37603 | 1FDWE3FS7ADA40829 |
| 1FDWE3FS9ADA05449 | 1FDWE3FS8ADA20637 | 1FDWE3FS6ADA37601 | 1FDWE3FS7ADA40832 |
| 1FDWE3FSXADA05444 | 1FDWE3FS1ADA20639 | 1FDWE3FSXADA37598 | 1FDWE3FS0ADA40834 |
| 1FDWE3FS7ADA05451 | 1FDWE3FS5ADA20630 | 1FDWE3FS5ADA37606 | 1FDWE3FS0ADA40848 |
| 1FDWE3FS7ADA12125 | 1FDWE3FS0ADA22690 | 1FDWE3FSXADA40842 | 1FDWE3FS5ADA40831 |
| 1FDWE3FS6ADA12133 | 1FDWE3FSXADA20638 | 1FDWE3FSXADA40839 | 1FDWE3FS8ADA40841 |
| 1FDWE3FS9ADA12143 | 1FDWE3FSXADA20624 | 1FDWE3FS9ADA40847 | 1FDWE3FS9ADA40833 |
| 1FDWE3FS6ADA12147 | 1FDWE3FS7ADA20628 | 1FDWE3FS7ADA37591 | 1FDWE3FSXADA40825 |
| 1FDWE3FS0ADA12127 | 1FDWE3FS5ADA20627 | 1FDWE3FS2ADA40818 | 1FDWE3FS6ADA37615 |
| 1FDWE3FS8ADA12148 | 1FDWE3FS2ADA22691 | 1FDWE3FS4ADA40822 | 1FDWE3FS4ADA44787 |
| 1FDWE3FS1ADA15148 | 1FDWE3FS5ADA22698 | 1FDWE3FS3ADA40827 | 1FDWE3FS4ADA37600 |

Four Winds International RECALL REPAIR INSTRUCTIONS



NHTSA RECALL #: **10V-268**
Description/Title: **EXHAUST HEAT SHIELD**
Affected Product Line(s): **2009-2011 FREEDOM ELITE MODEL 21C**
Service Campaign #: **RC000014** Released Date:
Failure Code: **FWITC80405V** Document Date: **06/18/2010**
Time Allowed: **0.3 Hrs** Document Revision: **A**

- | | | |
|-------------------|-------------------|-------------------|
| 1FDWE3FS0ADA37612 | 1FDWE3FS8ADA48180 | 1FDWE3FS6ADA54303 |
| 1FDWE3FS0ADA40851 | 1FDWE3FS7ADA67562 | 1FDWE3FS0ADA57326 |
| 1FDWE3FS6ADA44788 | 1FDWE3FS8ADA48177 | 1FDWE3FS2ADA57327 |
| 1FDWE3FS3ADA44800 | 1FDWE3FS8ADA67568 | 1FDWE3FS4ADA54302 |
| 1FDWE3FS4ADA44790 | 1FDWE3FS9ADA48169 | 1FDWE3FS7ADA57324 |
| 1FDWE3FS6ADA44791 | 1FDWE3FS9ADA48172 | 1FDWE3FS9ADA57325 |
| 1FDWE3FS1ADA44794 | 1FDWE3FS9ADA48186 | 1FDWE3FS4ADA57359 |
| 1FDWE3FS5ADA44796 | 1FDWE3FSXADA48178 | 1FDWE3FS5ADA57354 |
| 1FDWE3FS5ADA44801 | 1FDWE3FSXADA48181 | 1FDWE3FS0ADA57312 |
| 1FDWE3FS7ADA44797 | 1FDWE3FS8ADA48194 | 1FDWE3FS0ADA57343 |
| 1FDWE3FSXADA48164 | 1FDWE3FS5ADA48198 | 1FDWE3FS0ADA61439 |
| 1FDWE3FS8ADA44789 | 1FDWE3FS4ADA48208 | 1FDWE3FS1ADA57318 |
| 1FDWE3FS8ADA44792 | 1FDWE3FS6ADA48209 | 1FDWE3FS0ADA61442 |
| 1FDWE3FS0ADA48156 | 1FDWE3FS2ADA48191 | 1FDWE3FS1ADA57321 |
| 1FDWE3FS1ADA48151 | 1FDWE3FS4ADA48189 | 1FDWE3FS2ADA57313 |
| 1FDWE3FS2ADA48160 | 1FDWE3FS2ADA48188 | |
| 1FDWE3FS3ADA48152 | 1FDWE3FS7ADA48204 | |
| 1FDWE3FS7ADA48154 | 1FDWE3FS9ADA48205 | |
| 1FDWE3FS9ADA44798 | 1FDWE3FS6ADA48226 | |
| 1FDWE3FSXADA44793 | 1FDWE3FS8ADA48227 | |
| 1FDWE3FS4ADA48158 | 1FDWE3FS7ADA48221 | |
| 1FDWE3FS4ADA48161 | 1FDWE3FS2ADA48210 | |
| 1FDWE3FS0ADA48206 | 1FDWE3FS5ADA48217 | |
| 1FDWE3FS1ADA48196 | 1FDWE3FS5ADA48220 | |
| 1FDWE3FS1ADA48201 | 1FDWE3FS6ADA48212 | |
| 1FDWE3FS2ADA48174 | 1FDWE3FS7ADA48218 | |
| 1FDWE3FS2ADA48207 | 1FDWE3FS1ADA48229 | |
| 1FDWE3FS3ADA48183 | 1FDWE3FS2ADA48224 | |
| 1FDWE3FS3ADA48197 | 1FDWE3FS4ADA48225 | |
| 1FDWE3FS3ADA48202 | 1FDWE3FSXADA48228 | |
| 1FDWE3FS4ADA48175 | 1FDWE3FS4ADA48211 | |
| 1FDWE3FSXADA48150 | 1FDWE3FS8ADA48213 | |
| 1FDWE3FS5ADA48167 | 1FDWE3FS8ADA48230 | |
| 1FDWE3FS5ADA48170 | 1FDWE3FSXADA48231 | |
| 1FDWE3FS5ADA48184 | 1FDWE3FS0ADA48223 | |
| 1FDWE3FS6ADA48162 | 1FDWE3FS9ADA48222 | |
| 1FDWE3FS6ADA48176 | 1FDWE3FSXADA48214 | |
| 1FDWE3FS7ADA48168 | 1FDWE3FS1ADA48215 | |
| 1FDWE3FS7ADA48171 | 1FDWE3FS2ADA54301 | |
| 1FDWE3FS7ADA48185 | 1FDWE3FS8ADA54299 | |