

## PROCEDURE

Servicing InSight Transverse Flip Up Remote Release – Replacing Q’Straint Max Belts With Deluxe

Suggested Tools:

- Drill with #10 bit
- 3/16” hex key
- Phillips head (#2) screwdriver
- Flat head screw driver
- 7/16” & 1/2” sockets and driver (extension recommended)
- E-clip installation tool
- Channel locks
- Rivet tool with head for 3/16” pull style Aluminum rivet
- Square head (S2) bit and driver

Belt Required: Q’Straint Deluxe (150721002)

Replacement Parts (if required):

Qty. Per Seat

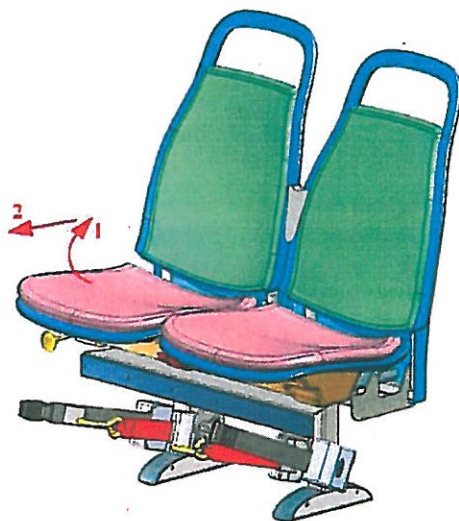
- Pull knob (092337101)	1
- 3/16” x 3/4” Aluminum rivet (009590301201)	2
- E-clips (112617000)	2
- Release handle (153254000)	1
- Acorn nut (0069404ZN)	4
- Rubber bushing (091164000)	4
- Countersunk washer (090542500)	4
- 1/4”-20 x 3/4” bolts (0057004012ZN)	4
- Steel washer (012592800)	4
- Robertson head screw (0085002012EM)	4
- Plastic washer (0916090000)	4

## PROCEDURE

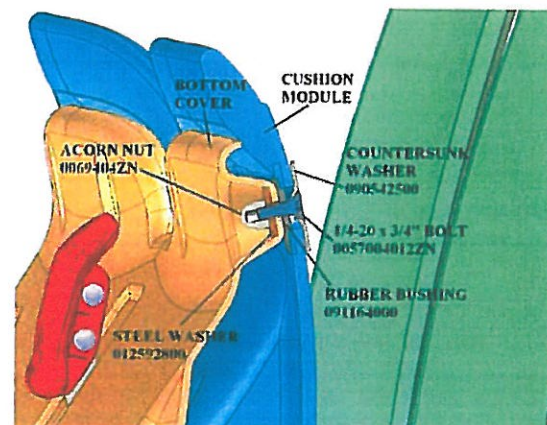
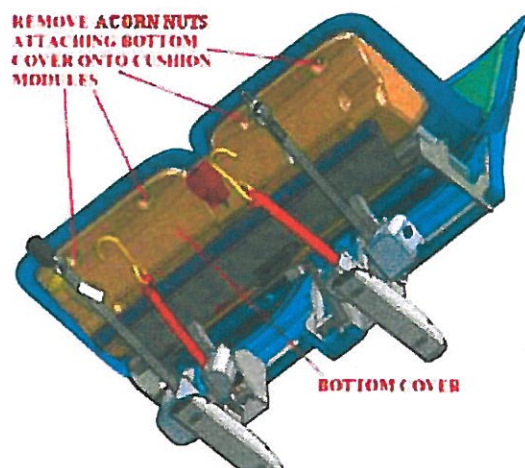
**\*Notes:** BELTS MUST BE REPLACED FOLLOWING THIS PROCEDURE. IT IS NOT ACCEPTABLE TO REPLACE BELTS BY DISCONNECTING CABLE FROM BELT.

Graphics are to be used for reference only and may not represent actual seat.

1. With seat in the down position, remove the cushion inserts. Pull up at the front of the insert to disengage it from the retainers, and slide forward to remove.

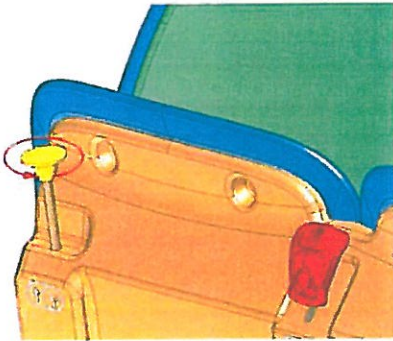


2. Detach the bottom cover from the cushion modules by removing 4 acorn nuts. Use a #2 Phillips head screwdriver to hold the screw and a 7/16" socket on the nut. Keep all hardware as it will be reused. Note hardware stack up below.

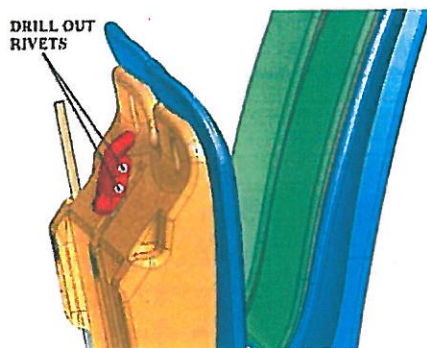


3. Flip seat cushion to the lock up position.

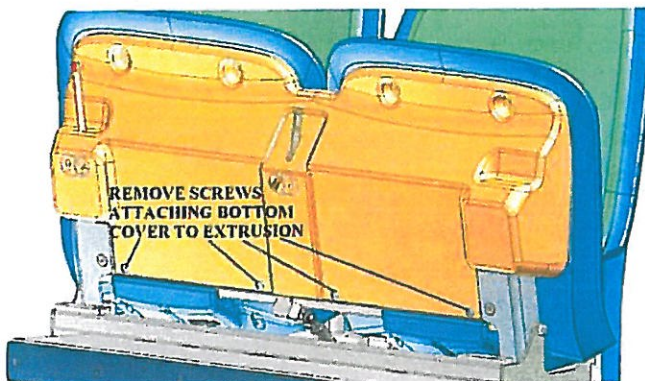
4. While holding the pull rod from rotating, remove the knob (092337101) by rotating it counterclockwise. Be careful not to damage the rod. Pull knob can be broken off rod and replaced if necessary.



5. Using a #10 bit, drill out the two rivets (009590301201) holding the release handle (153254000) in place.

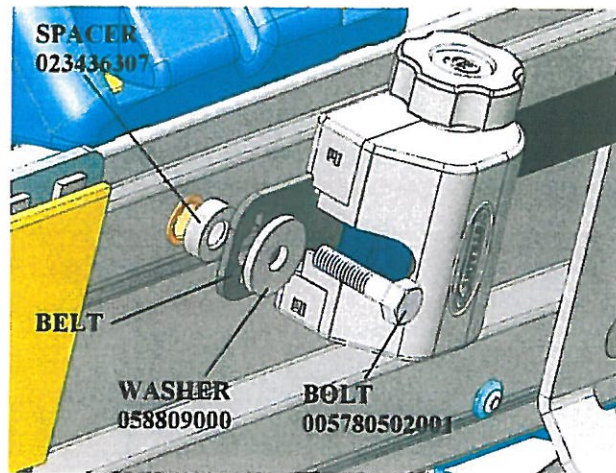
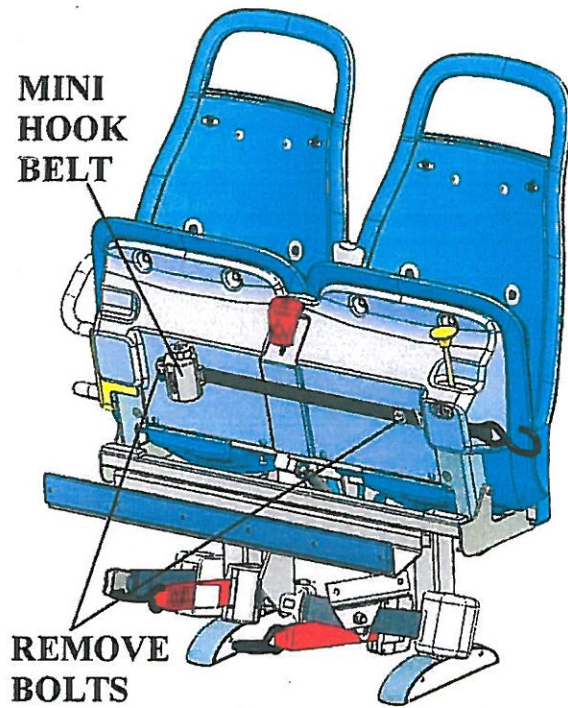


6. Remove 4 screws (0085002012EM) attaching the bottom cover to the extrusion. Pull bottom cover off of seat (See step 6A if seat is equipped with mini hook belt). Note how belt cables are routed, new release cables will need to be routed the same way.

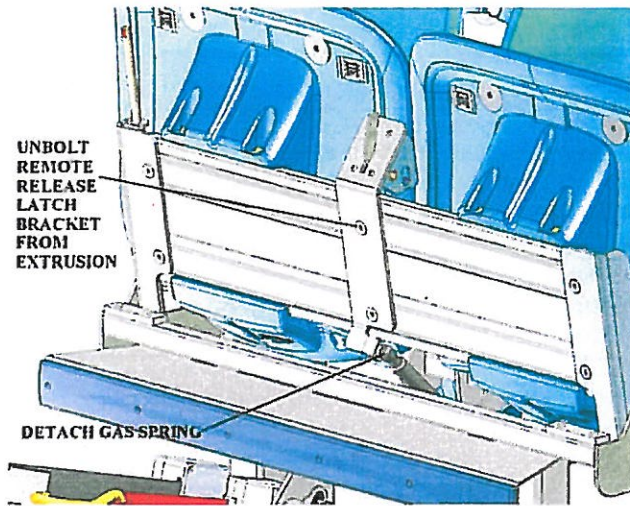


FOR SEATS EQUIPPED WITH MINI HOOK BELT:

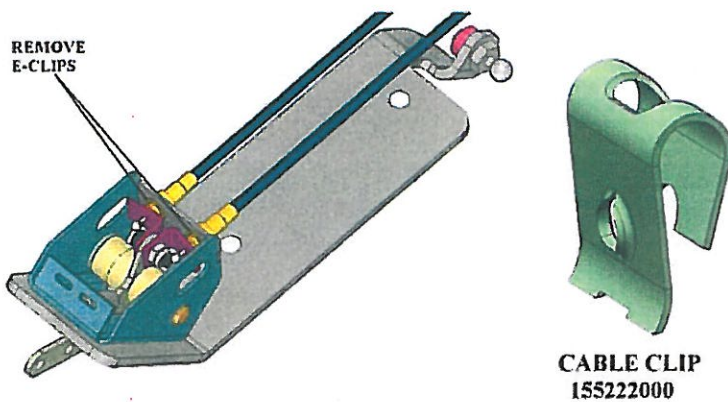
6A.) Unbolt mini hook belt from extrusion by removing 2 bolts (005780502001). Note hardware stack up for mini belt.



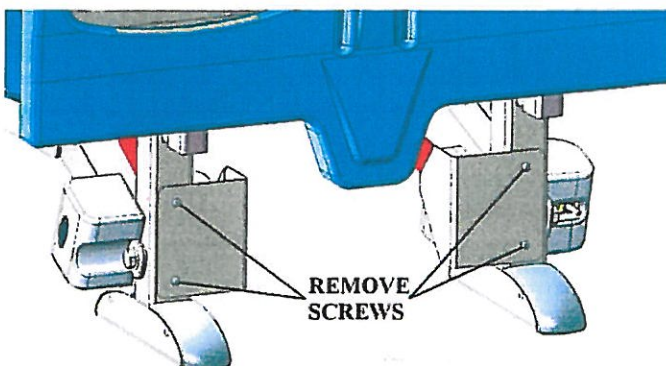
7. Detach gas spring and unbolt latch bracket from extrusion



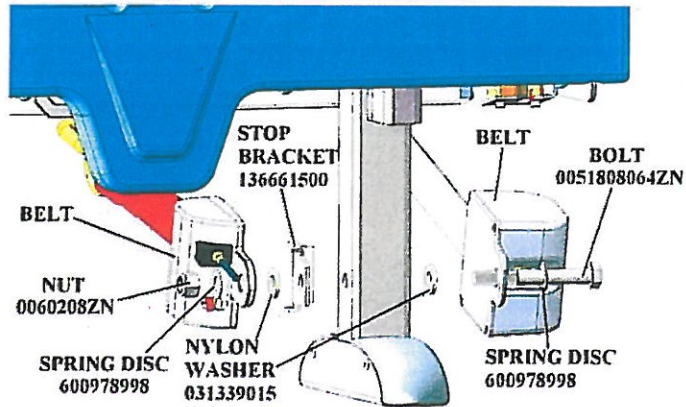
8. Detach cables from latch bracket by removing e-clips (112617000), remove and DISCARD green cable clips (155222000), and disengage cables from L-brackets.



9. On the back of the pedestals, remove screws holding on the belt cover brackets.



10. Undo belts from pedestals. Note the hardware stack up.



11. Replace Max belts with Deluxe and reattach belt assemblies onto pedestals.
12. Reattach belt cover brackets.
13. Rout cables on Deluxe belts the same way as they were on Max belts.
14. Reattach cables onto latch bracket. **DO NOT USE GREEN CABLE CLIP WITH DELUXE BELTS.**
15. Bolt latch bracket to extrusion.
16. Reattach bottom cover, release lever, and pull knob.
17. Reinstall cushion onserts.
18. Test belts and remote release for proper function. See appendix for test procedure.
19. **DISCARD MAX BELTS.**