



09-01-08-01

Centre rear seat belt guide bracket – optional full width rear seat incorporating adjustable outer seats – under specified guide bracket – RE09/01

Applicability: Continental Flying Spur & Continental Flying Spur Speed – see attached VIN list

Market Region: UK, Europe, Japan, USA & Middle East

Introduction:

The centre rear seat belt upper guide bracket fitted to Continental Flying Spur and Flying Spur Speed when specified with an optional full width rear seat incorporating adjustable outer seats has been found to be under specified.

Description:

The specification has been corrected and a new, stronger bracket produced. All the applicable vehicles require the original bracket removing and the new bracket (part number 3W5857859B) fitted.

Procedure:

1. Remove the rear seat cushion (Refer to ASSIST BIN 0885)
2. Referencing Figure 1, remove the lower seat belt anchor fixing (1)
3. Remove the rear seat squab (Refer to ASSIST BIN 0885)
4. On the leather trimmed seat belt tower adjacent to the parcel shelf, pull forward and disengage the escutcheon finisher that the seat belt slides through, pull the belt aside (2) to expose the single plastic fir tree fastener (3) remove the fastener using a suitable tool. Then firmly pull up in the trimmed seat belt tower in the direction of the arrows (1) (there are two downward facing metal clips that retain the trimmed seat belt tower to the seat belt bracket)
5. Remove the two bolts (4) securing the seat belt upper guide bracket to the body (see Figure 3)
6. Release the seat belt upper guide bracket from the parcel shelf, then whilst feeding the seat belt webbing out of the bracket remove the bracket. **Note:** Do not allow the seat belt webbing to retract below the level of the parcel shelf this will avoid having to remove the boot trim to retrieve the webbing from the inertia reel.



09-01-08-01

Centre rear seat belt guide bracket – optional full width rear seat incorporating adjustable outer seats – under specified guide bracket – RE09/01

7. Feed the seat belt webbing through the new bracket (part number 3W5857859B) before positioning and engaging the bracket onto the rear parcel shelf (see Figure 4)
8. Torque tighten the two seat belt upper guide bracket mounting bolts. Torque 7/16 UNF bolt to 40Nm
9. Fully extend and retract the webbing to ensure it is not twisted
10. Refit the escutcheon finisher prior to refitting the cover and trimmed tower cover
11. Refit the rear seat squab (Refer to ASSIST BIN 0885)
12. Referencing Figure 1, refit the lower seat belt anchor fixing. Torque 7/16 UNF bolt to 40Nm
13. Refit the rear seat cushion (Refer to ASSIST BIN 0885)
14. Apply a white paint completion spot to the vehicle body adjacent to the main system battery (see Figure 5)



09-01-08-01

Centre rear seat belt guide bracket – optional full width rear seat incorporating adjustable outer seats – under specified guide bracket – RE09/01

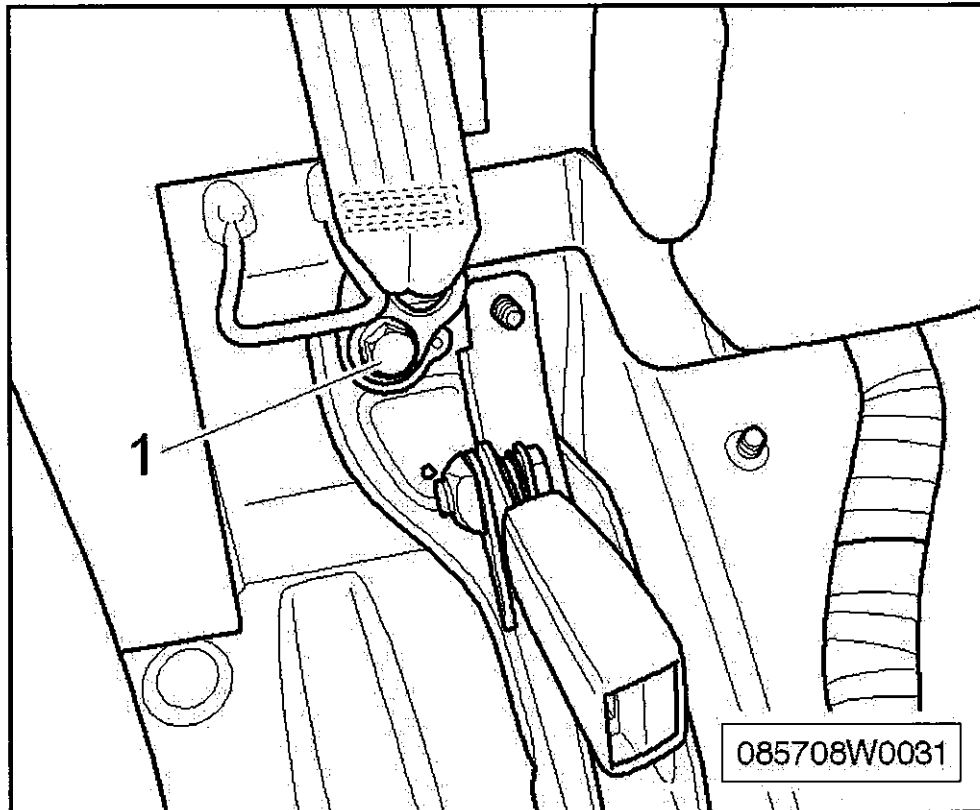


Figure 1



09-01-08-01

Centre rear seat belt guide bracket – optional full width rear seat incorporating adjustable outer seats – under specified guide bracket – RE09/01

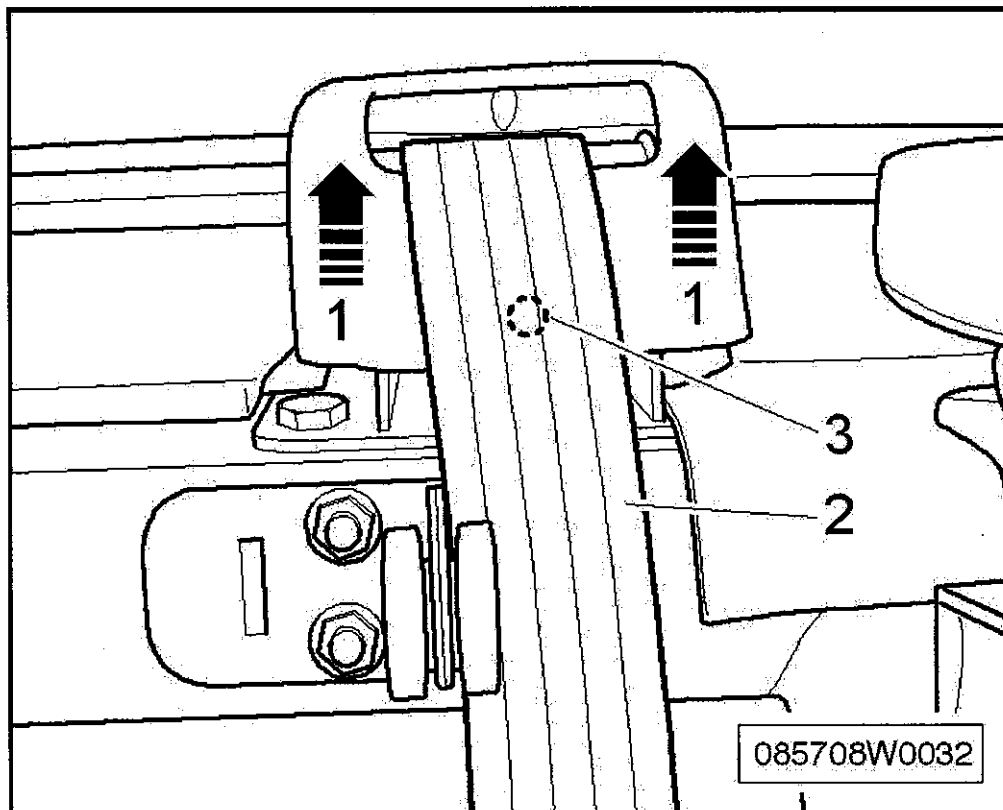


Figure 2



09-01-08-01

Centre rear seat belt guide bracket – optional full width rear seat incorporating adjustable outer seats – under specified guide bracket – RE09/01

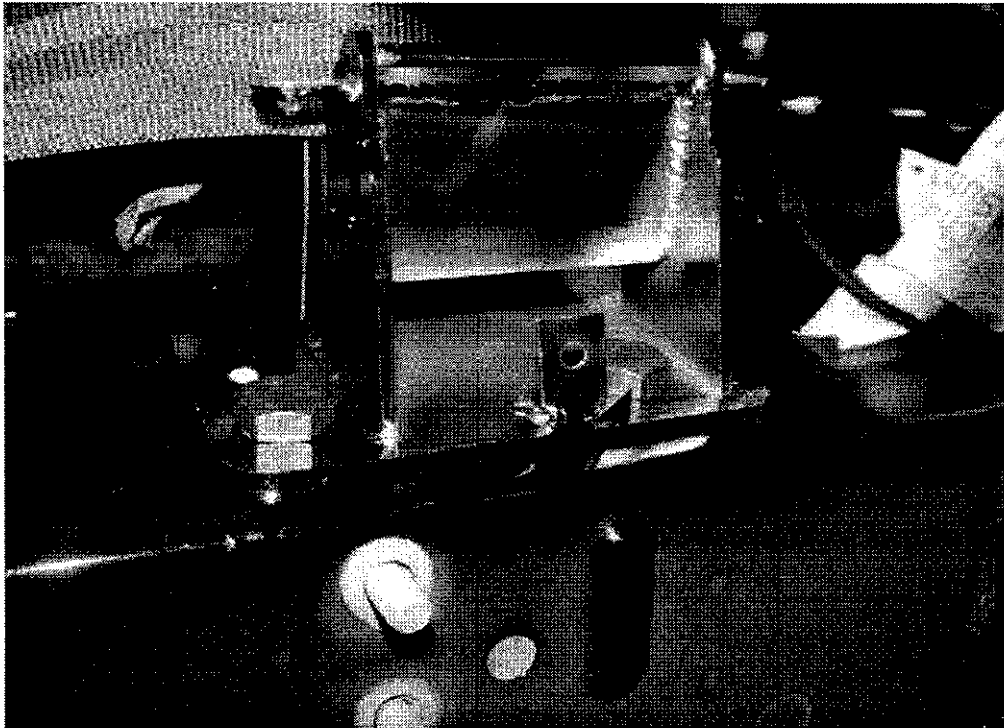


Figure 3

09-01-08-01

Centre rear seat belt guide bracket – optional full width rear seat incorporating adjustable outer seats – under specified guide bracket – RE09/01

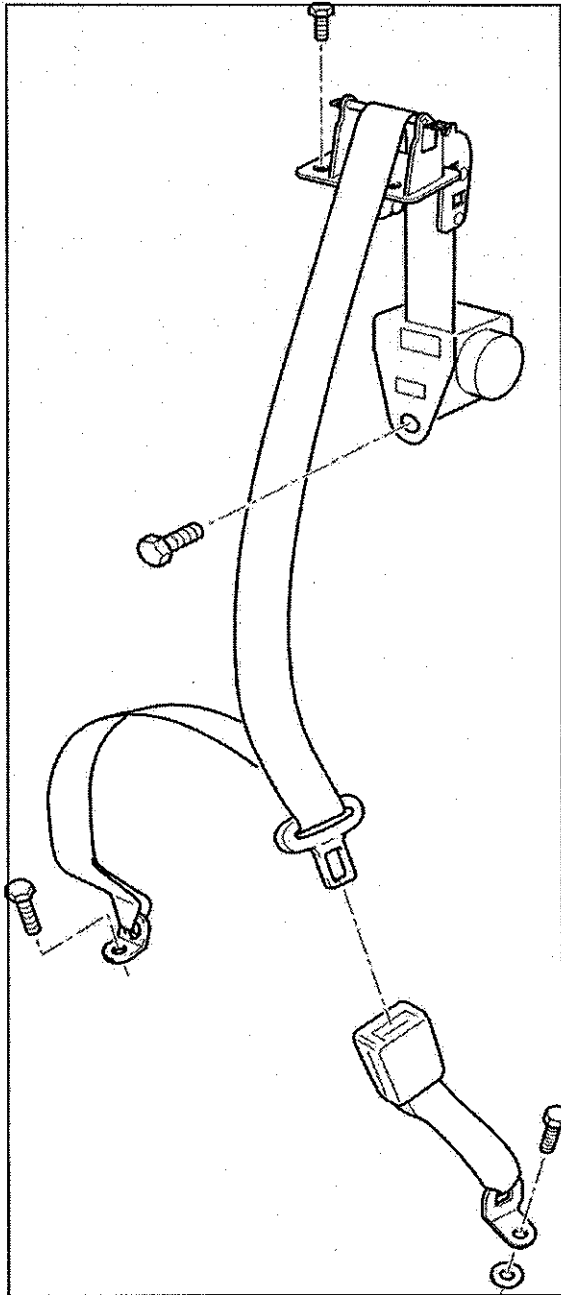


Figure 4

09-01-08-01

Centre rear seat belt guide bracket – optional full width rear seat incorporating adjustable outer seats – under specified guide bracket – RE09/01



Figure 5

Torque Specification:

Component	Nm	Kgf m	lbf ft
7/16 UNF seat belt mounting bolts	40Nm	4.0	29

Warranty:

Warranty type	710 or 790	or	710 or 790
Labour Operation Code	69 12 30 99		69 12 40 99
Damage Service Number	R724		R724
Damage Code	0099		0099
Time	220 time units		240 time units *
Criteria ID	01		01

*** includes preparation time**



09-01-08-01

Centre rear seat belt guide bracket – optional full width rear seat incorporating adjustable outer seats – under specified guide bracket – RE09/01

Parts Information:

New Part Number	Description	Displaced Part Number	Qty
3W5857859B	Optional full width rear seat incorporating adjustable outer seats - seat belt guide bracket		1

Policy Type: All vehicles in VIN list

VIN list:

SCBBE53W09C057479	SCBBP93W59C059696	SCBBR93WX9C060062
SCBBF53W09C057480	SCBBP93W49C059706	SCBBZ53W59C060074
SCBBR93W39C057570	SCBBP93W69C059724	SCBBF53W89C060109
SCBBF53W29C057593	SCBBF53W99C059731	SCBBR93W09C060121
SCBBP93W59C057639	SCBBF53W29C059747	SCBBE53W89C060128
SCBBE53W09C057658	SCBBF53W89C059767	SCBBF53W69C060139
SCBBR93W59C057702	SCBBE53WX9C059787	SCBBF53W89C060143
SCBBR93W69C057725	SCBBP93W49C059804	SCBBE53W09C060172
SCBBE53W19C057748	SCBBF53W19C059819	SCBBP93W99C060205
SCBBE53W79C057771	SCBBF53W49C059829	SCBBP93W09C060254
SCBBR93WX9C057923	SCBBF53W99C059860	SCBBP93W49C060256
SCBBE53W29C057953	SCBBF53W39C059868	SCBBR93W19C060449
SCBBP93W59C057978	SCBBF53W09C059875	SCBBR93W29C060461
SCBBE53W69C058037	SCBBF53W69C059895	SCBBR93W39C060470
SCBBP93W39C059535	SCBBF53W29C059926	SCBBR93W09C060474
SCBBP93W89C059546	SCBBF53W39C059935	SCBBF53W49C060480
SCBBP93W59C059567	SCBBE53W29C059945	SCBBP93W09C060500
SCBBP93W09C059587	SCBBF53W09C059956	SCBBR93W09C060507
SCBBP93W89C059644	SCBBF53W19C059965	SCBBP93W79C060509
SCBBP93W09C059654	SCBBE53W99C060025	SCBBE53W79C060539
SCBBP93W39C059664	SCBBR93W49C060042	SCBBF53W49C060544
SCBBP93W69C059674	SCBBE53W89C060050	SCBBY53W29C060553
SCBBP93W49C059687	SCBBR93W09C060054	



09-01-08-01

Centre rear seat belt guide bracket – optional full width rear seat incorporating adjustable outer seats – under specified guide bracket – RE09/01

Bentley Bulletins are intended for use by experienced and trained technicians. If you lack the skills, tools, equipment and a suitable workshop for any procedure described in this document, we suggest you leave such repairs to an Authorised Bentley Dealer or other qualified workshop. See your Bentley Dealer for advice on whether your vehicle may benefit from the information contained within this document.

The information contained in this Bulletin is accurate at the date of publication. However, Bentley Motors regularly updates technical information. Please check with your Bentley Dealer that the Bulletin you intend to use contains the latest available information.

© Bentley Motors Limited. All Rights Reserved