



Service Bulletin

MOTORCYCLE / ATV DIVISION

4 - STROKE
GS/GSX/GSX-R BULLETIN NO. 192
DATE: 1/15/2009

VOLUNTARY SAFETY RECALL CAMPAIGN #2A08
2005 AND 2006 GSX-R1000 MOTORCYCLES
FRAME REINFORCEMENT BRACE INSTALLATION/FRAME REPLACEMENT

SUBJECT: VOLUNTARY SAFETY RECALL CAMPAIGN
FRAME REINFORCEMENT BRACE INSTALLATION/FRAME REPLACEMENT

UNITS INVOLVED: 2005 AND 2006 GSX-R1000 MOTORCYCLES

REFERENCE: GSX-R1000 SERVICE MANUAL (PN 99500-39271-03E)

ATTACHMENTS: CUSTOMER LETTER, FRAME FAX ORDER FORM

WHY IS SUZUKI CONDUCTING THIS RECALL?

Suzuki has received reports of cracking or breakage of the motorcycle frame in certain extreme situations where unusually high stress is placed on the frame, such as collisions involving the front wheel/fork assembly.

Suzuki has also received reports of cracking or breakage of the frame behind and below the steering neck when the motorcycle is subjected to repeated hard landings from hazardous maneuvers such as extreme or extended wheelies or other stunts. Suzuki believes that this type of driving activity is reckless - and illegal when performed on a public roadway - and does not condone it. If the frame becomes broken during this type of extreme use, a crash could occur.

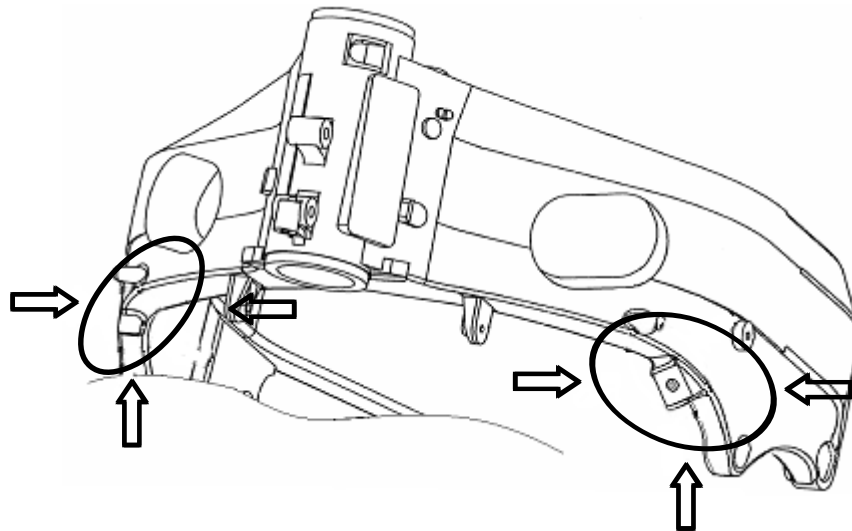
While ordinary operation of the motorcycle does not create a risk of cracking or breakage of the frame, Suzuki has decided voluntarily to conduct this Safety Recall to minimize the potential for frame cracking or breakage in the circumstances described above.

WHAT WILL SUZUKI DO?

Dealers will inspect the relevant area of the frame for cracks. The illustration below shows the area to be examined for cracks. If no cracks are found, a frame reinforcement brace will be attached to the frame using bolts and epoxy adhesive. The brace is aluminum and very lightweight (less than 2 pounds). It is very slender and fits underneath the top spar of the frame behind and below the steering neck. The appearance, performance and handling of the motorcycle remain unchanged with the reinforcement brace installed.

Should cracks be found during the inspection, the frame will be replaced with a new frame that has the reinforcement brace installed (see exclusion on page 3).

To reassure owners, Suzuki will provide a five year warranty on the frame and the frame reinforcement brace beginning on the date of brace installation.



CUSTOMER REIMBURSEMENT FOR PRIOR FRAME REPLACEMENTS

If a customer's motorcycle is included in this Safety Recall and they have paid for the repair or replacement of the frame due to cracking or breakage of the frame in the relevant area, they may be eligible for full or partial reimbursement. Suzuki's reimbursement plan covers the following motorcycles: all 2005 and 2006 model year Suzuki GSX-R1000 motorcycles. Please note the following for which Suzuki may exclude reimbursement:

- The cost of repairs to correct damage resulting from crashes, accidents, or other similar incidents will not be reimbursed.
- Only repairs that are the subject of the Safety Recall are reimbursable. Additional expenses such as towing, rental, accommodations, property damage repairs, etc. will not be reimbursed.
- Reimbursement may be limited to suggested list price on parts and the Suzuki published flat rate time allowance.
- An owner will not be eligible for reimbursement if the expenses for repairs are incurred more than 10 days after the date of the last owner notification letter sent by Suzuki.
- Reimbursement claims may also be excluded when adequate documentation is not submitted by the customer. Original copies of receipts for the repair or replacement work will be required.

If a customer requests reimbursement for a prior frame repair or replacement contact Suzuki's Tech-Line for further assistance.

WHAT YOUR DEALERSHIP WILL DO:

Dealers are to inspect the frame carefully for cracking prior to the installation of the brace. Should cracks be found, Suzuki will authorize the replacement of the frame with a new one and the reinforcement brace will need to be installed. If the frame is not damaged, a brace must be installed.

Notify your staff.

Contact your customers; please telephone all of your customers and inform them of this campaign.

NOTE:

If your dealership has sold a 2005 or 2006 GSX-R1000 to a customer, but you have not yet submitted a sales registration entry, send the sales information to American Suzuki AT ONCE. We will send the customer an owner notification letter when we receive the sales information from your dealership.

Since only you know the identity of these customers, you must immediately notify these customers of the campaign.

UNIT VIN RANGES:

The VIN ranges of the 2005 and 2006 GSX-R1000s involved are listed below.

GSX-R1000K5	JS1GT76A*52100019 through JS1GT76A*52110197
GSX-R1000K6	JS1GT76A*62100003 through JS1GT76A*62117296

WHAT MOTORCYCLES ARE EXCLUDED FROM THIS CAMPAIGN?

The following motorcycles are excluded from the campaign:

- Any motorcycle with a frame modified in such a manner that the reinforcement brace could not be installed.

VERIFY THE UNIT REQUIRES THE CAMPAIGN SERVICE:

Before performing the inspection to a unit, verify that the inspection needs to be done. There are two ways to identify a unit that has already been serviced.

1. Check the status by checking the Vehicle History in the Suzuki Connect Service Menu. If the service needs to be performed to the motorcycle, you will see the message "CAMPAIGN NOT YET PERFORMED" displayed and frame will need to be inspected. Refer to the inspection procedure in this bulletin.
2. Visually inspect to determine if a reinforcement brace has been previously installed.

REQUIRED PARTS FOR THIS CAMPAIGN

Each dealer will be auto-shipped one Dye Penetrant Test Kit free of charge by January 23rd. The chemicals provided in this kit are sufficient to perform the test on many units. If more Dye Penetrant Test Kit chemicals are needed contact Tech-Line.

ORDERING FRAME REINFORCEMENT BRACE KITS

Dealers will be responsible to order the reinforcement brace kits as needed for your customers' units. Use the part numbers below and normal parts ordering methods to order the brace kit and the under cowling cover kit (1 each per unit). Parts are currently available.

Qty 1 Frame Reinforcement Brace Kit Part Number 99103-11243 Dealer Cost \$60.00

Qty 1 Cover, Under Cowling Kit Part Number 99103-11244 Dealer Cost \$36.63

FRAME REINFORCEMENT BRACE KIT PARTS	
Qty	Parts Description
1	Reinforcement, Frame
2	Shield, Reinforcement (Weather strip)
1	Bracket, Reinforcement R
1	Bracket, Reinforcement L
4	Bolt, Reinforcement bracket
2	Bolt, Radiator (Replacement)
2	Spring washer, Radiator bolt
2	Washer, Radiator bolt
2	Nut, Radiator bolt
1	Bolt, Horn (Replacement)
1	Clamp, Harness
2	Screw, Cowling under (Replacement)
2	Spacer, Cowling under screw
2	Washer, Cowling under screw
1	Epoxy resin set

COVER, UNDER COWLING KIT PARTS	
Qty	Parts Description
1	Cover, Under cowling under R (Replacement)
1	Cover, Under cowling under L (Replacement)

ORDERING A REPLACEMENT FRAME

If you determine that a frame replacement is necessary after completing the inspection procedure outlined in step #1 of the "Frame Inspection" section located on pages 5 & 6, TSM authorization is required to order a frame.

To receive TSM authorization, take clear digital photos of the Frame Caution Plate decal (see number 7 on page 1-8 of the service manual) and of the cracked area showing the crack as clearly as possible. The decal has the Vehicle Identification Number stamped on it and you will be required to e-mail the photos to Tech-Line to get a PAS number. After receiving TSM authorization, use the attached fax order form to order the new frame.

Frame Part Number - 99103-11245

Dealer Cost \$1577.21

Suzuki will provide the replacement frame with a matching replacement Frame Caution Plate decal already applied which will contain the Vehicle Identification Number. Parts are currently available. In addition to this frame order, you must order by normal ordering methods, the following parts:

Qty	Description	PN	Dealer Cost
1	Frame Reinforcement Brace Kit	99103-11243	\$60.00
1	Cover, Under Cowling Kit	99103-11244	\$36.63
2	Bearings	09267-30010	\$17.30
2	Dust Seal	51644-12C00	\$3.44

FRAME INSPECTION AND REINFORCEMENT INSTALLATION

Bodywork removal

1. Refer to section 8 of the service manual and remove the following:
 - a) Right and left Under Cowlings (*NOTE: Two of these screws will NOT be re-installed*)
 - b) Cover, Front Lower
2. Refer to section 7 of the service manual to remove the radiator mounting bolts. It is not necessary to remove the radiator.
3. Remove the Horn and the Front Engine Cover:
 - a) Remove the Horn.
 - b) Refer to page 3-5 of the service manual and remove the Front Engine Cover. (*NOTE: This part will NOT be re-installed*)

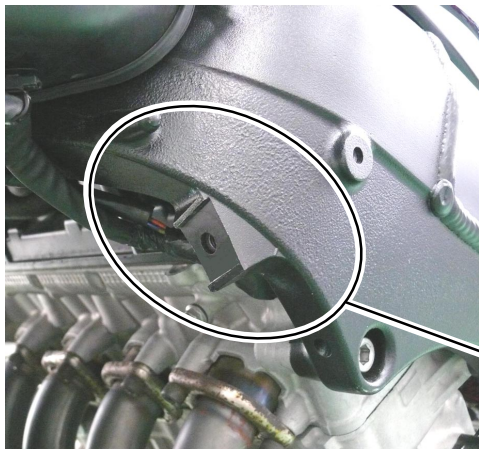
NOTE: To view a video (approximately 10 minutes in length) of the inspection and installation procedure, [click here](#) (available on January 23, 2009).

Frame inspection

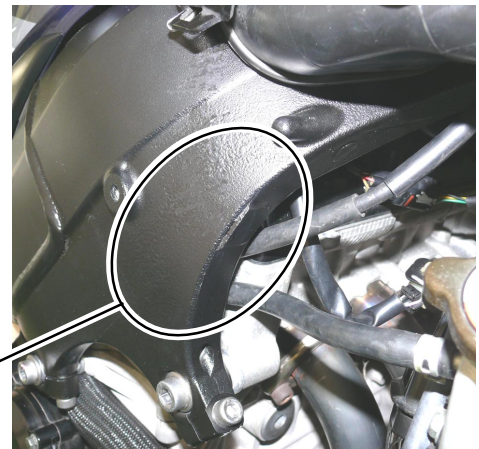
1. Inspecting the frame for damage:
 - a) Inspect the frame for cracks on the left and right sides of the frame as indicated in the photos and graphic below using the Dye Penetrant test kit which will be sent to your dealership by Jan.23th. This inspection has to be done not only on the outside but also on the inside of the frame spars.
 - b) If no cracks are detected, thoroughly clean the frame area using a clean cloth (not a shop rag) and the kit cleaner to remove the dye penetrant used for the inspection.

NOTE:

- * *Protect the surrounding areas where inspection is not required from the overspray of the Dye Penetrant.*
- * *Read and understand the instructions and handling precautions of the Dye Penetrant before applying it.*
- * *If the motorcycle is excessively dirty, prewash it with soap and water before applying the Dye Penetrant.*



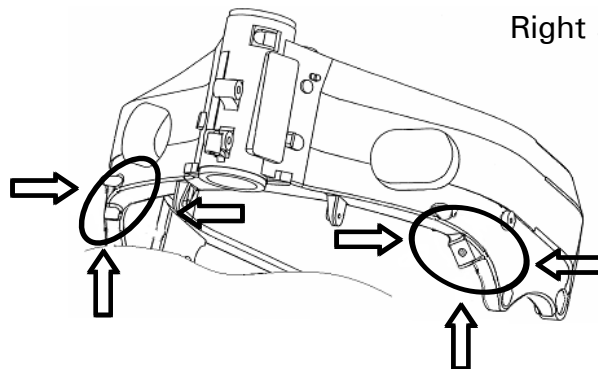
Left side



Right side

Inspection areas

Inspect the outside, the underside and the inside of each frame spar as indicated.



FRAME INSPECTION AND REINFORCEMENT INSTALLATION

Frame inspection, continued

b) With the results of the inspection determine the next step as indicated;

No damage or cracks present on the frame.



Frame replacement is not required. Proceed to "Frame Reinforcement Installation".

Damage or cracks present on the frame.

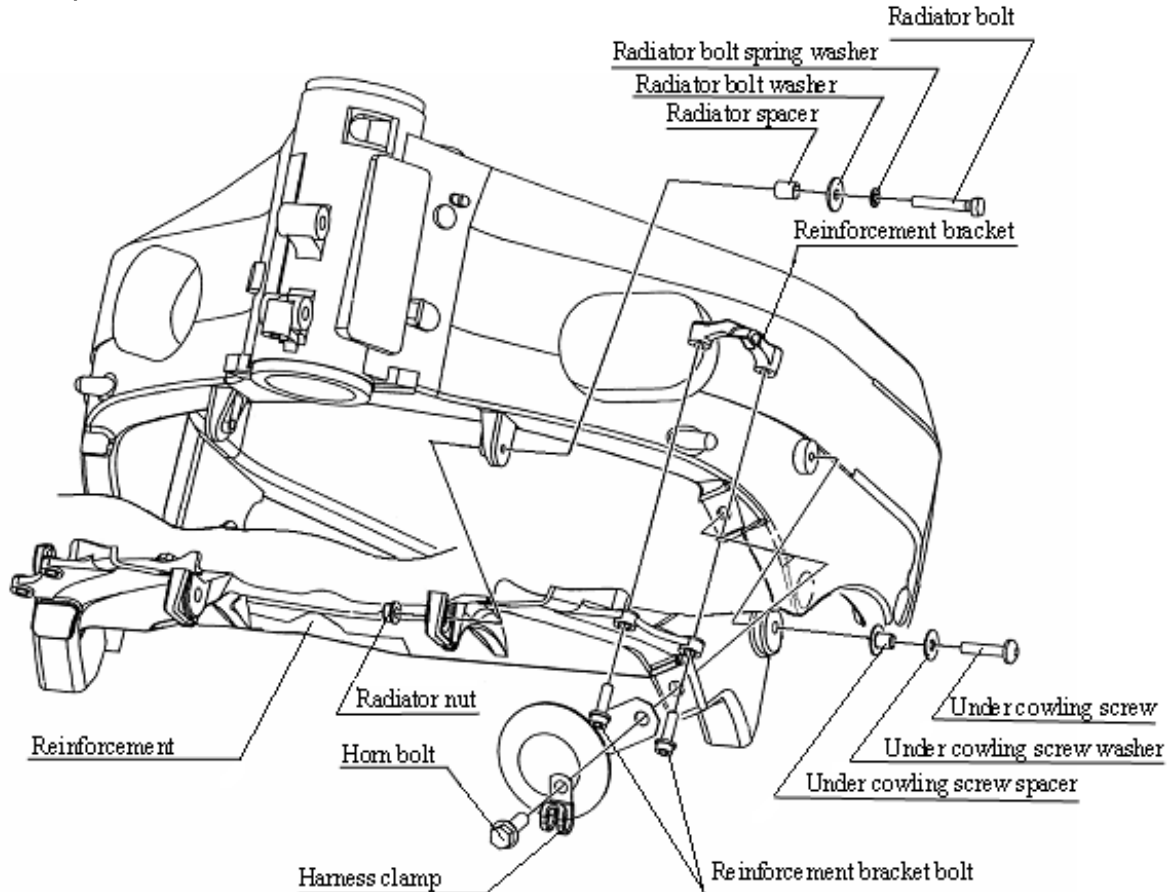


The frame requires replacement. Refer to the service manual to replace the frame. The Frame Reinforcement brace must be installed onto the new frame. Refer to the "Frame Reinforcement Installation" section of this bulletin.

NOTE: Install the Frame Reinforcement onto the new frame before proceeding with the frame replacement procedure.

Frame reinforcement preparation & installation

Overall parts fitment illustration



Frame reinforcement preparation & installation, continued

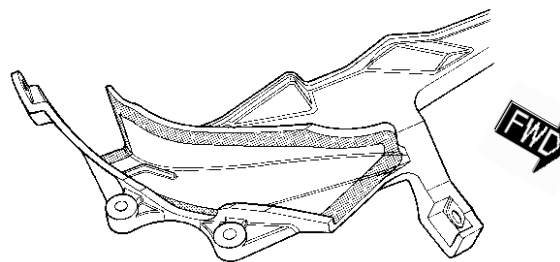
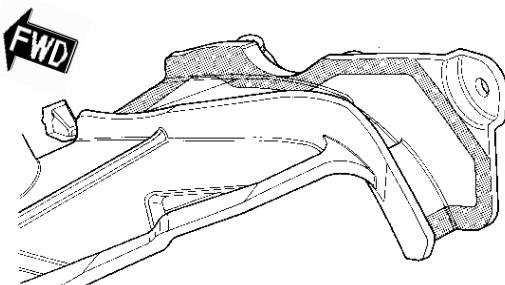
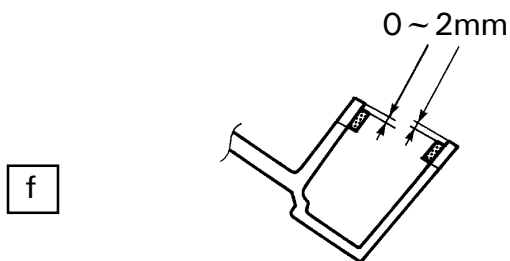
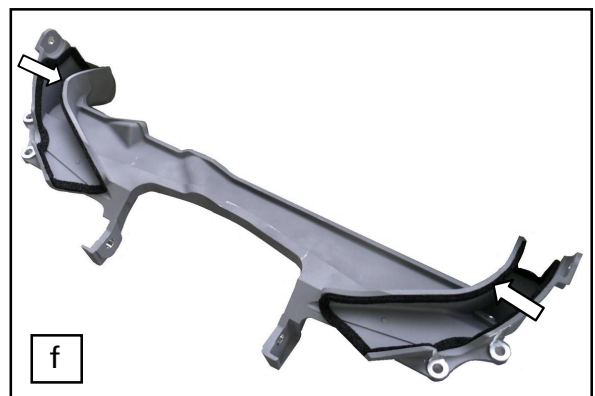
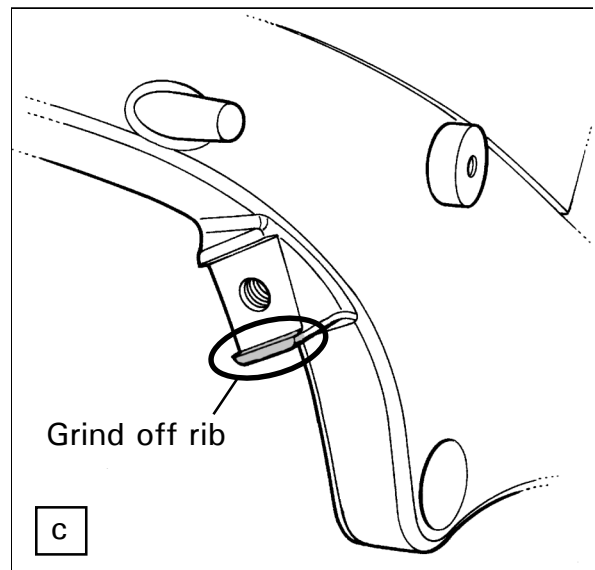
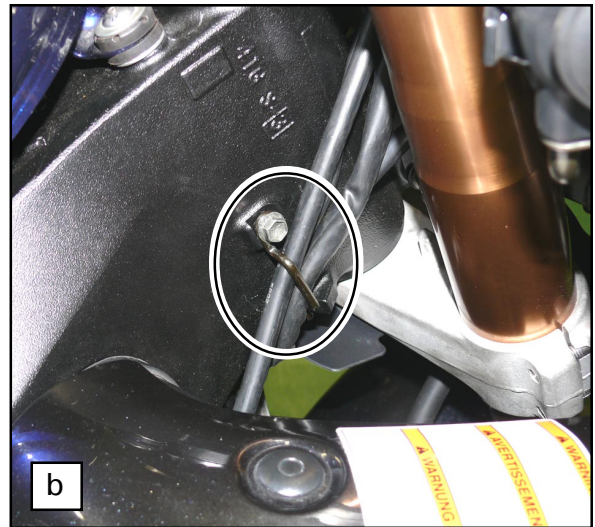
1. Installation of the Frame Reinforcement

- a) Remove the Clutch Cable at the clutch lever.
- b) Remove the Clutch Cable Guide and move the clutch cable out of the way (Figure b).
- c) Grind off the bottom rib of the horn mounting boss flush with the machined flat area of the horn mounting boss (Figure c).

NOTE:

Test fit the frame reinforcement at this time to assure that all of the bolt holes align. There will be some space between the frame reinforcement and the frame as the epoxy mix is intended to take up this space.

- d) Degrease the surface area of the frame that will mate with the Frame Reinforcement with the cleaner supplied in the kit.
- e) Degrease the surface area of the Frame Reinforcement with the cleaner supplied in the kit where the Reinforcement Shield (weather strip) and epoxy will be applied.
- f) Adhere the Reinforcement Shield to the Frame Reinforcement. Start at the points indicated by the arrows (Figure f). Apply the Reinforcement Shield 0~2mm down into the well.



Handling the adhesive

NOTE:

- * *Prepare the frame and the frame reinforcement in advance of mixing the epoxy.*
- * *Read and understand the adhesive caution instructions and the MSDS before handling.*
- * *This operation should be done in a well-ventilated area.*
- * *Wear the gloves and mask which are included in the adhesive package.*
- * *If the adhesive contacts an unexpected area, including your skin, clean and flush the contaminated area immediately with water.*
- * *The frame reinforcement must be installed and the bolts torqued to specification within 30 minutes after mixing the epoxy resin and hardener.*

Frame reinforcement preparation & installation, continued

2. Mix the Epoxy Resin and Hardener

- Pour all of the hardener (the small cup) into the epoxy resin (the large cup) and thoroughly stir with the aluminum stir stick that is supplied in the kit until the color of the epoxy becomes even throughout. (This will take approximately one minute).

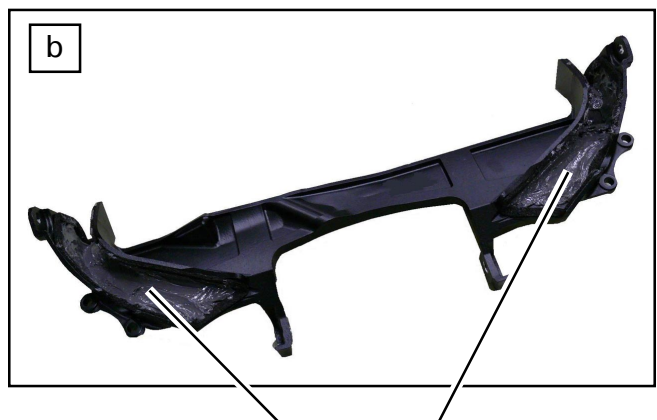


- Evenly distribute the epoxy resin mix into the well areas (both sides) of the frame reinforcement. Use the plastic knife supplied in the kit to assist in evenly distributing the epoxy resin mix.

NOTE:

Keep the epoxy resin mix out of the horn bolt hole area.

Evenly and thoroughly distribute all of the epoxy resin mix within the area on the brace outlined by the reinforcement shields (weather stripping).



Apply epoxy resin mix into the well areas

Frame reinforcement preparation & installation, continued

3. Install the Frame Reinforcement

- a) Carefully set the frame reinforcement between the wiring harness on the left and the clutch cable on the right and the frame. Install it onto the frame while making sure not to pinch any wires, hoses or cables (Figure a & b).

Align all of the bolt holes and temporarily install the Horn Bolt, the Radiator Bolts and Nuts and the Under Cowling Screws that are supplied in the parts kit (Figure c).

NOTE:

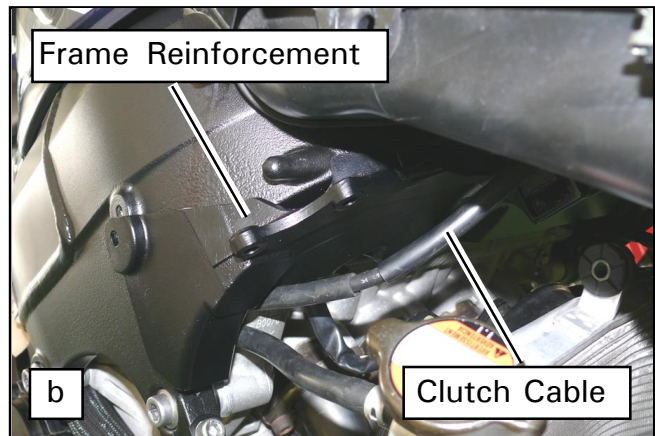
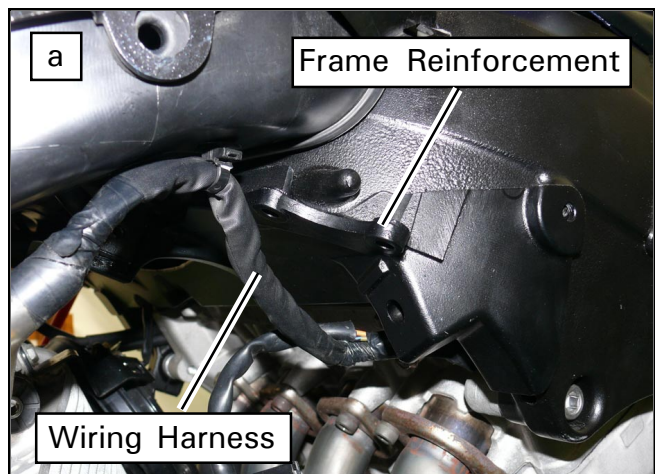
- * *Apply grease to the threads of the horn bolt.*
- * *Apply Thread Lock 1360 (99000-32130) to the Reinforcement Bracket Bolts and install the Reinforcement Brackets.*

- b) To properly align and seat the frame reinforcement brace, tighten all bolts to the specified torque in the order shown in the chart below.

NOTE:

This procedure must be completed within 30 minutes of mixing the epoxy.

- c) Wipe off any epoxy that may have pushed past the reinforcement shield (weather stripping) with a clean cloth.



TIGHTENING ORDER AND TORQUE SPECIFICATIONS

1) Reinforcement Brace Bolts	11 N.m (1.1 kgf-m, 8.0 lb-ft)
2) Horn Bolt	25 N.m (2.5 kgf-m, 18.0 lb-ft)
3) Radiator Bolts	10 N.m (1.0 kgf-m, 7.0 lb-ft)
4) Nuts, Radiator Bolts	12 N.m (1.2 kgf-m, 8.5 lb-ft)
5) Under Cowling Screws	10 N.m (1.0 kgf-m, 7.0 lb-ft)

Frame reinforcement preparation & installation, continued

4. Re-assembly

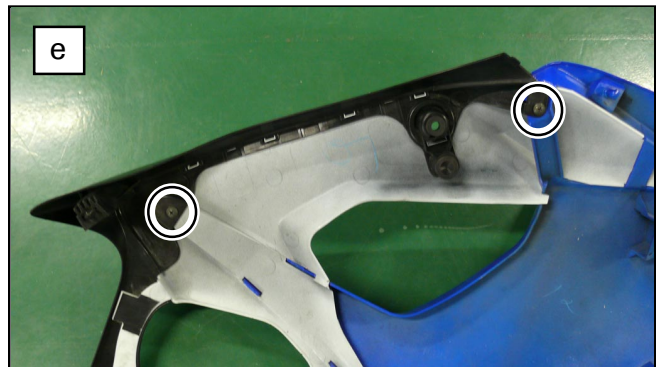
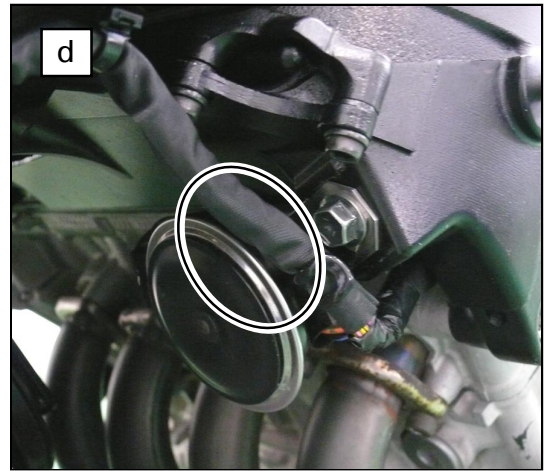
a) Remove the horn bolt. Install the horn. Use the harness clamp supplied in the kit to keep the wiring harness from contacting the horn body (Figure d). Refer to the torque chart on page 9 of this bulletin.

b) Re-route and re-assemble the clutch cable and the wiring harness.

c) Remove the radiator bolts and nuts, install the radiator using the bolts, washers, lock washers and lock nuts provided in the kit. (Use the original radiator spacers). Refer to the Overall Parts Fitment Illustration on page 6 of this bulletin. Refer to the torque chart on page 9 of this bulletin.

d) Replace the right and left Under Cowling Covers with the new parts supplied in the kit.

e) Install the flanged Under Cowling Spacers supplied in the kit onto the right and left Under Cowlings (Figure e). The flanged spacers need to be installed from the frame side. Refer to the service manual and install the under cowlings and remaining parts in reverse order of removal. Refer to the torque chart on page 9 of this bulletin when tightening the under cowling screws.



Epoxy Cure Time/Temperature

Thorough curing of the epoxy requires a certain amount of time depending on the ambient temperature. Refer to the chart below for curing temperatures and time requirements.

NOTE:

- At NO time during the curing period should the temperature be allowed to drop below 41°F (5°C). If this happens the epoxy will NOT cure properly and the bracket will not serve its intended purpose.
- Do not operate or deliver the motorcycle until the curing process outlined below has been completed.

Ambient Temperature	Cure Time		
75° F (25°C) or higher	8 hours	Or	Warm up the frame by running the engine at idle for 20 minutes and store the motorcycle for 1 hour.
59° F (15°C) to 75° F (25°C)	24 hours	Or	
41° F (5°C) to 59° F (15°C)	Warm up the frame by running the engine at idle for 30 minutes and store the motorcycle for 1 hour.		
Below 41° F (5°C)	Curing will not occur at temperatures below 41° F (5°C)		

⚠ WARNING

Take precautions to properly vent the exhaust fumes out of the work area.

5. Final Inspection

- a) Start the engine, check for coolant leakage.
- b) Confirm the electrical functions are normal (horn, turn signals, headlight, etc).

REIMBURSEMENT & CLAIM INFORMATION:

Submit a claim for each campaign service immediately upon completion. This campaign requires you to file a claim using the following information.

Short Form Claim:

Use the Short Form Claim for units that require inspection and installation of frame reinforcement brace kit. Labor time is 3.0 hours.

VOLUNTARY SAFETY RECALL CAMPAIGN	
Short Form Instructions	
GENERAL	
CLAIM NUMBER:	XXXXX,X (Dealer enters number)
ENTRY TYPE: (Dealer Chooses)	Model Frame, Control Sequence or VIN
MODEL:	GSX-R1000K5 OR GSX-R1000K6
FRAME:	XXXXXXXXXX
REPAIR DATE:	Enter date of service
MILEAGE:	Enter mileage on unit
CAMPAIGN NUMBER:	2A08

Long Form Claim:

Use the Long Form Claim for units requiring frame replacement. Labor time is 11.0 hours. Labor time includes frame replacement and brace installation. Frame replacement requires prior authorization from your District Technical Service Manager or Suzuki Connect will not accept the claim.

VOLUNTARY SAFETY RECALL CAMPAIGN	
Long Form Instructions	
GENERAL	
CLAIM NUMBER:	XXXXX,X (Dealer enters number)
ENTRY TYPE: (Dealer Chooses)	Model Frame, Control Sequence or VIN
MODEL:	GSX-R1000K5 OR GSX-R1000K6
FRAME:	XXXXXXXXXX
REPAIR DATE:	Enter date of service
MILEAGE:	Enter mileage on unit
CAMPAIGN NUMBER:	2A08
LABOR HOURS:	11.0 hrs (Frame Replacement)
PARTS	
REPLACEMENT PART NUMBERS:	99103-11243 QTY:1 (Reinforcement Brace)
	99103-11244 QTY:1 (Under Cowl Cover Kit)
	99103-11245 QTY:1 (Frame)
	09267-30010 QTY:2 (Bearing)
	51644-12C00 QTY:2 (Dust Seal)
	Add additional parts as required
FAILURE DESCRIPTION	
DESCRIPTION OF FAILURE:	Replace Frame per Service Bulletin GS-GSX-GSXR-GSF 192

REPLACED FRAME RETURN:

Return the damaged frame in the box used to ship the new frame. The frame must be returned to ASMC within 10 days of the date of service. Failure to return the frame in the specified time will result in a debit equal to the entire cost of the claim.

A freight credit will be issued to you when the frame is returned. Select ground service for the shipping type. It is recommended to use a freight service which can track the shipment.

The frame must be tagged with the appropriate information with the damaged area clearly identified. Also include a completed copy of the frame replacement request fax form which includes your dealer number, dealer name and address, vehicle identification number, date of service, dealer repair order number, PAS authorization number and customer name, address and phone number. Frames received without this information can not be identified, and you will be charged the full amount of the claim.

Ship the replaced frame to:

**American Suzuki Motor Corporation
Motorcycle Warranty Parts Return
3251 E. Imperial Hwy.
Brea, CA. 92821-6795**

IMPORTANT:

Successful completion of this campaign depends on your efforts. It is your responsibility to service any motorcycle within the affected VIN range at no cost to the customer for campaign service parts and labor. Incidental costs your customers may incur are not normally covered. However, if you have a customer with special needs, contact Tech-Line (800/756-3251) to discuss possible solutions.

AFFECTED DEPARTMENTS:

The following departments in your dealership should be notified of this information:

Management Service Warranty Sales Parts Accessories

American Suzuki Motor Corporation
Technical Service Department
Motorcycle / ATV



AMERICAN SUZUKI MOTOR CORPORATION
MOTORCYCLE

January 21, 2009

VOLUNTARY SAFETY RECALL CAMPAIGN #2A08
2005 AND 2006 GSX-R1000 MOTORCYCLES
FRAME REINFORCEMENT BRACE INSTALLATION/FRAME REPLACEMENT
PLEASE READ IMMEDIATELY

Dear Suzuki Owner:

This notice is sent to you in accordance with the requirements of the National Traffic and Motor Vehicle Safety Act. Suzuki Motor Corporation has decided that an issue related to motor vehicle safety may arise with respect to some model year 2005 and 2006 GSX-R1000 motorcycles. According to our records, you are the owner of one of these motorcycles.

Why is Suzuki conducting this recall?

Suzuki has received reports of cracking or breakage of the motorcycle frame in certain extreme situations where unusually high stress is placed on the frame, such as collisions involving the front wheel/fork assembly.

Suzuki has also received reports of cracking or breakage of the frame behind and below the steering neck when the motorcycle is subjected to repeated hard landings from hazardous maneuvers such as extreme or extended wheelies or other stunts. Suzuki believes that this type of driving activity is reckless — and illegal when performed on a public roadway — and does not condone it. If the frame becomes broken during this type of extreme use, a crash could occur.

While ordinary operation of the motorcycle does not create a risk of cracking or breakage of the frame, Suzuki has decided voluntarily to conduct this Safety Recall to minimize the potential for frame cracking or breakage in the circumstances described above.

What will Suzuki do?

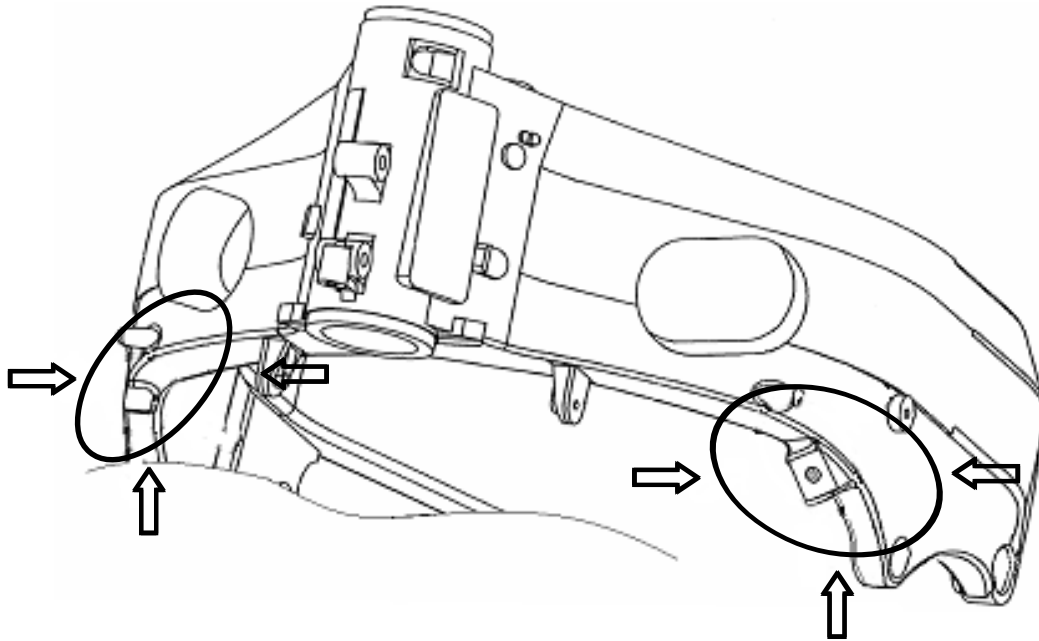
Your Suzuki dealer will inspect the relevant area of the frame for cracks. The illustration on page 2 shows the area to be examined for cracks. If no cracks are found, a frame reinforcement brace will be attached to the frame using bolts and epoxy adhesive. The brace is aluminum and very lightweight (less than 2 pounds). It is very slender and fits underneath the top spar of the frame behind and below the steering neck. The appearance, performance and handling of your Suzuki remain unchanged with the reinforcement brace installed.

The service to inspect your frame and install the reinforcing brace takes approximately 3 hours to complete, and your motorcycle will have to be left at the dealership overnight so that the epoxy adhesive that is used can cure. The service will be performed at no cost to you for parts or labor.

CUSTOMER NOTIFICATION LETTER - Page Two of Three

Should cracks be found during the inspection, the frame will be replaced with a new frame that has the reinforcement brace installed (see exclusions at the bottom of this page).

To reassure your confidence in your Suzuki GSX-R1000, Suzuki will provide a five year warranty on your frame and the frame reinforcement brace beginning on the date of installation by your dealer.



How do I receive the fastest possible service?

Suzuki understands that your riding time is precious. Our suggestion is to work closely with your authorized Suzuki dealer to get the Recall service scheduled as quickly as possible. When you pick up your serviced motorcycle, please allow a few extra minutes for your dealer to prepare and complete the necessary paperwork with you.

If you have special circumstances, discuss them with your Suzuki dealer. Suzuki understands that some customers may have difficult circumstances to overcome in bringing their motorcycle to the dealership for the Recall service. We have asked your Suzuki dealer to work closely and flexibly with you to arrange solutions for your special requests. Please remember however, that each dealership has its own limitations in providing special assistance due to dealership location, available time and staff size. Your dealer can also consult with Suzuki regarding other alternatives.

What motorcycles are excluded from this Recall?

Any motorcycle with a frame modified in such a manner that the reinforcement brace could not be installed is excluded from this Recall.

This Recall is being undertaken voluntarily and not pursuant to the vehicle warranty. The acceptance or exclusion of any vehicle for the service and installation described above shall not be construed as modifying or waiving the terms of the vehicle warranty in any respect.

CUSTOMER NOTIFICATION LETTER - Page Three of Three

Questions and Answers

Your Suzuki dealer has been provided with specific and complete instructions regarding the Recall service. Your local Suzuki dealer can provide the fastest responses to your questions or concerns about the Recall service. You may also contact the American Suzuki Customer Service Department for assistance at 714-572-1490. You will need to have your Vehicle Identification Number ready when calling.

If you believe that American Suzuki has failed to provide the Recall service without charge or is unable to do so within a reasonable time, you may submit a complaint to the Administrator of the National Highway Traffic Safety Administration, 1200 New Jersey Ave., S.E., Washington, DC, 20590 or call the toll-free Vehicle Safety Hotline at 1-888-327-4236 (TTY: 1-888-424-9153); or go to <http://www.safercar.gov>.

Locating an Alternate Dealer

Suzuki dealers can be located on the internet at www.suzukicycles.com or by calling the Customer Service number listed above.

Customer Reimbursement

If your motorcycle is included in the Safety Recall and you have paid for the repair or replacement of the frame due to cracking or breakage of the frame in the relevant area, you may be eligible for full or partial reimbursement. Suzuki's reimbursement plan covers the following motorcycles: all 2005 and 2006 model year Suzuki GSX-R1000 motorcycles. Please note the following for which Suzuki may exclude reimbursement:

- The cost of repairs to correct damage resulting from crashes, accidents, or other similar incidents will not be reimbursed.
- Only repairs that are the subject of the Safety Recall are reimbursable. Additional expenses such as towing, rental, accommodations, property damage repairs, etc. will not be reimbursed.
- Reimbursement may be limited to suggested list price on parts and the Suzuki published flat rate time allowance.
- An owner will not be eligible for reimbursement if the expenses for repairs are incurred more than 10 days after the date of the last owner notification letter sent by Suzuki.
- Reimbursement claims may also be excluded when adequate documentation is not submitted by the claimant. Your authorized Suzuki dealer will request an original or copy of your receipts for the repair or replacement work done, and your owner notification letter. To obtain information or request reimbursement, contact your Suzuki dealer or the American Suzuki Motor Corporation, Motorcycle Customer Service Department, PO Box 1100, Brea, CA 92822-1100, or call (714) 527-1490. Be sure to have your VIN information available when calling.

We thank you for your prompt attention to having this Safety Recall service performed on your GSX-R1000 and apologize for any inconvenience it may cause you. We would also like to remind you that you can avoid future problems through legal and safe operation of your motorcycle at all times. Your safety, satisfaction, and riding enjoyment are priorities for Suzuki.

Sincerely,

American Suzuki Motor Corporation



GSX-R1000K5-K6 FRAME REQUEST WORKSHEET & FAX FORM (You will be invoiced for a frame)

All fields must be completely filled in.

PAS# _____

Dealer Name _____ Dealer # _____

Telephone # _____ FAX # _____

Ordered by _____ Date _____

Date of Service _____ Dlr Repair Order # _____

VIN# (17 digits)

--	--	--	--	--	--	--	--	--	--	--	--	--	--	--	--	--	--

Customer name _____

Address _____

City _____ State _____ Zip _____

Phone # Daytime: _____ Evening: _____

**FRAME REPLACEMENT FAX LINE:
714-528-3090**

FOR ASMC OFFICE USE ONLY

Damaged Frame Return Date _____

Date Received _____ Received By _____

Replacement Ship Date _____ Shipped By _____

Tracking # _____