

**PREVOST**

ENREGISTRÉ - REGISTERED  
ISO 9001 & ISO 14001

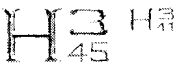


# SAFETY RECALL

Sr08-21



DATE : NOVEMBER 2008	SECTION : 18-BODY
SUBJECT : REPLACING PASSENGER SEATS PEDESTAL ASSEMBLY FIXING SCREWS	

## APPLICATION

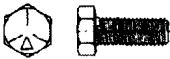

Model	VIN
 H3-41, H3-45 Coaches Model Year : 2008 – 2009	 From 2PCH334958C71 <b>1203</b> up to 2PCH3349X9C71 <b>1313</b> incl.
 X3-45 Coaches Model Year : 2008 – 2009	From 2PCG334938C72 <b>9484</b> up to 2PCG334979C72 <b>9540</b> incl.

This Safety Recall does not necessarily apply to all the above-mentioned vehicles, some vehicles may have been modified before delivery. The owners of the vehicles affected by this recall will be advised by a letter indicating the Vehicle Identification Number (VIN) of each vehicle concerned.

## DESCRIPTION

On vehicles affected by this recall, it is **absolutely necessary** to verify the screws fixing the passenger seats pedestal assembly to the floor rail system. There is a possibility that the manufactured screws were not of the proper quality and may break upon tightening or in use. If a "P" is present on the screw head, these must be replaced.

## MATERIAL

Part No.	Description	Identification	Qty
500305	Screw, cap Hex. Head ZP 3/8-16 X 7/8 G5		A/R
504619	Fastener, "Christmas tree " Type 7/32" O.D.		A/R

### NOTE

Material can be obtained through regular channels.

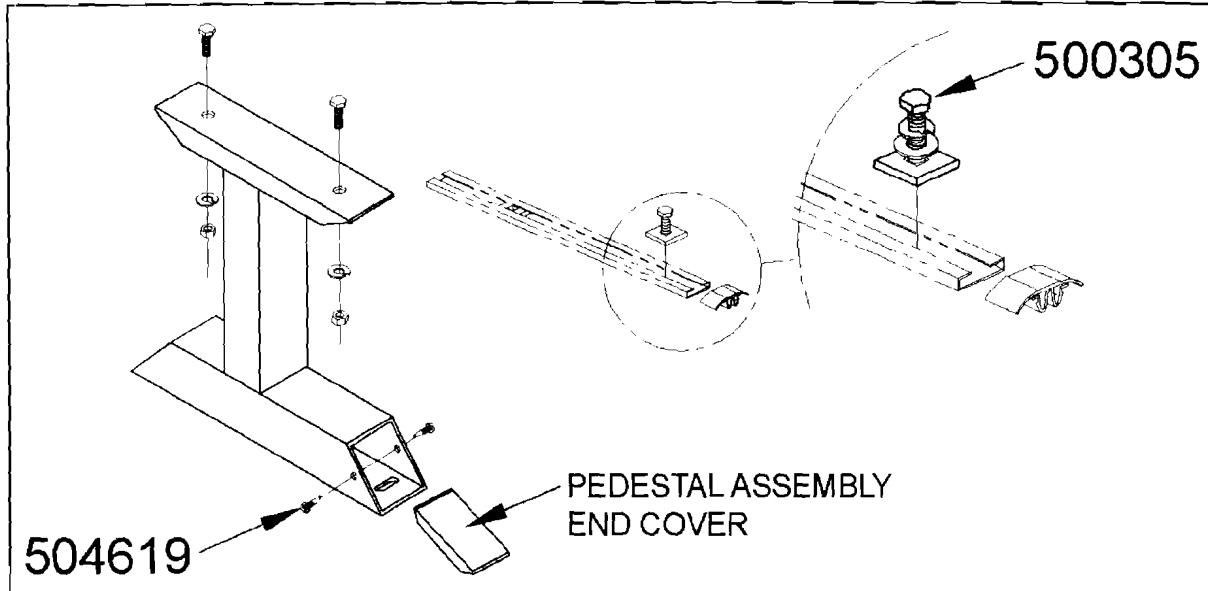
## PROCEDURE



### DANGER

Park vehicle safely, apply parking brake, stop engine and set battery master switch(es) to the OFF position prior to working on the vehicle.

1. Remove pedestal assembly end covers.



#### NOTE

Try re-using "Christmas Tree" type fasteners

2. Verify if "P" sign is present on cap screw head fixing pedestal assembly to the floor rail system.
3. If this is the case, these screws must be replaced with (500305) and torque tighten screw to 27 lb-ft.



### CAUTION

This verification must be done with all passenger seats (qty 2 / seat)

4. Reinstall end covers and fix using "Christmas Tree" type fasteners (504619).

## WARRANTY

This modification is covered by Prevo's normal warranty. We will reimburse you the parts and two hours (2.0) of labor upon receipt a completed A.F.A. form on which you must specify as per "Safety Recall 8-21". You also have to fill the "Safety Recall Certification Sheet" provided with this bulletin and return it with your A.F.A. form to be reimbursed.



**PREVOST**

**Safety Recall  
Certification Sheet  
(Ref: Sr08-21)**

ENREGISTRÉ - REGISTERED  
ISO 9001 & ISO 14001



**SERIAL NUMBER:** \_\_\_\_\_

PERFORMED BY		OWNER/OPERATOR	
We hereby certify that Safety Recall Instructions with regard to Safety Recall #08-21 have been performed.			
Name: _____		Name: _____	
Addr: _____		Addr: _____	
Phone: _____		Phone: _____	
Fax: _____		Fax: _____	
Signature : _____		Signature : _____	
Date: _____		Date: _____	

**If the information mentioned above is incorrect or you are not the owner of this vehicle anymore, please fill this section and return to sender..**

**NEW OWNER:** \_\_\_\_\_

**BUSINESS:** \_\_\_\_\_

**ADDRESS (including County):** \_\_\_\_\_

\_\_\_\_\_

\_\_\_\_\_

**TELEPHONE:** \_\_\_\_\_ **FAX:** \_\_\_\_\_

**Please return this completed document with your  
A.F.A. form**