



RECALL CAMPAIGN

NHTSA #O8V-407 / TC #08-279

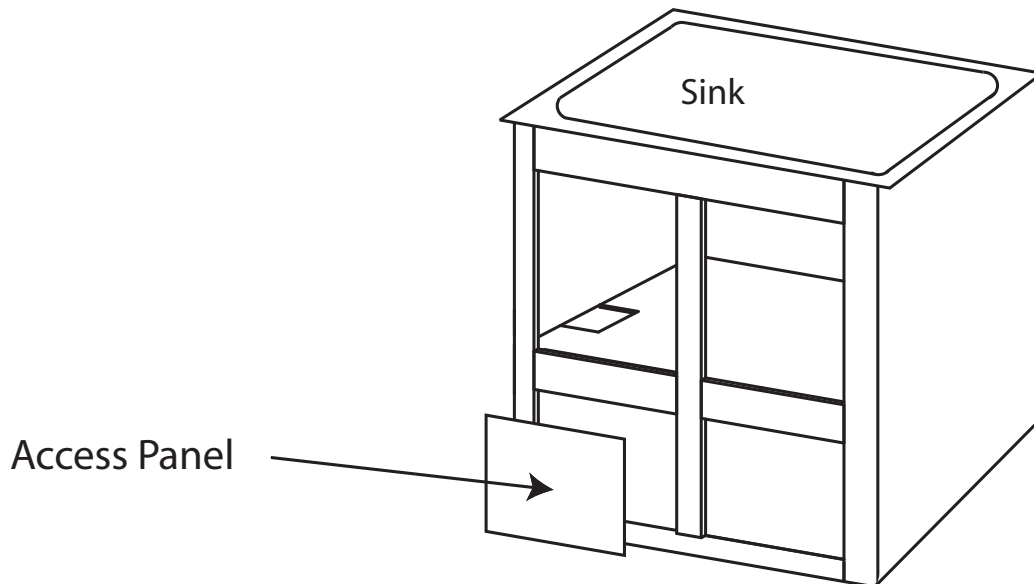
Requires parts to be ordered from Jayco.

Subject:	Slideout propane line chafing
Units Affected:	2007 – 2008 Jay Feather EXP “26L” <ul style="list-style-type: none">• 71JL0051 – 0214, 0216 - 0321• 81JL0051 - 0086
Action Required:	Inspect rubber propane hose for chafing. Replace and reroute as needed.
Job Operation Code:	9901080
Series Code:	RC005 Inspect only RC013 Inspect and repair
Flat Rate Time:	RC005 0.2 HRS RC013 1.0 HRS (Includes inspection and propane test)
Kit Part Number:	0700112
Kit Contains:	1) Instruction Sheet 1) propane hose
Tools Required:	Assorted wrenches, Screw gun with square tip bit
Additional Requirements:	3) ¾” vinyl coated p-clamps, 8 x 1” pan head screws

Instructions

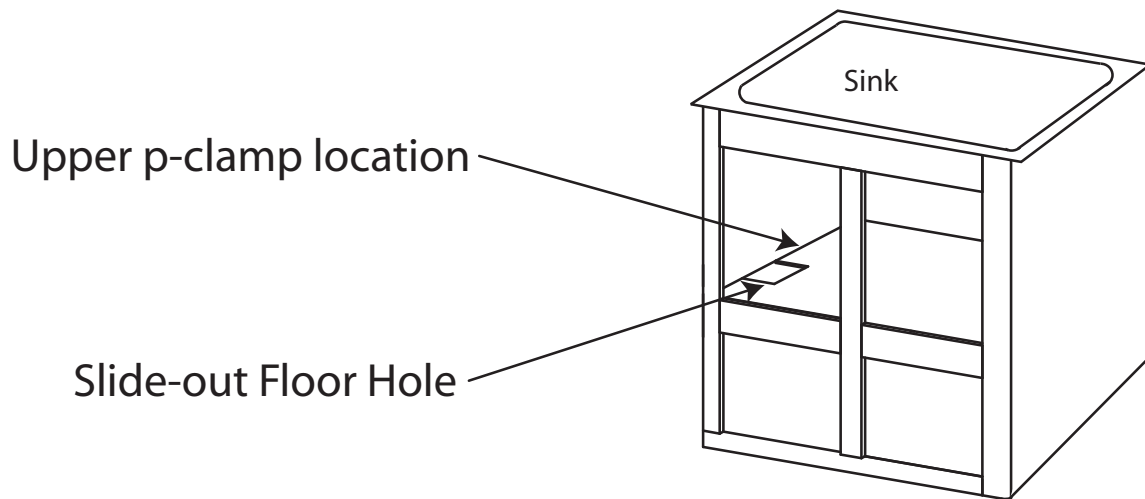
 **WARNING: Make sure propane tanks are turned off and disconnected.**

1. Position the slide-out to the half open position.
2. Open both Kitchen sink base cabinet doors.
3. Remove the two-(2) screws that hold the access panel under the sink.



4. Locate the rubber propane hose that is routed above the slide-out floor and through the holes in the slide-out floor with the sink drain or p-trap.
5. Follow the rubber propane hose below the slide-out floor and inspect it down from where it enters the floor down.

 **NOTE: If there is a p-clamp holding the rubber propane hose below the floor and it shows NO signs of chafing there is no repair needed. Reinstall all access panels and claim inspection time.**

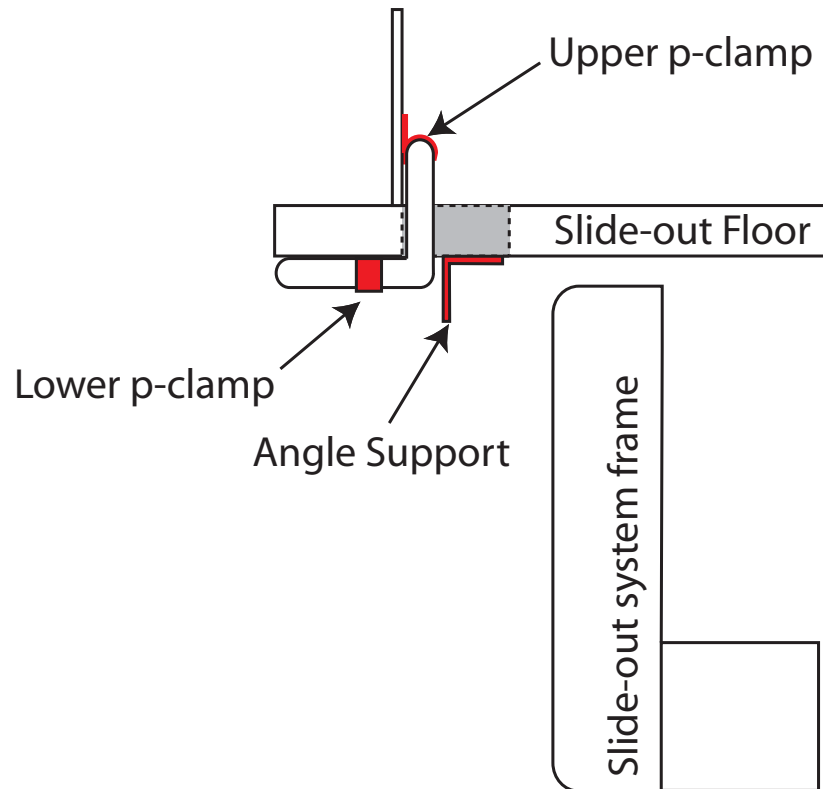


6. If there is no p-clamp holding the rubber propane hose in place below the floor inspect the hose for any signs of chafing.
7. If there is no signs of chafing, p-clamp the rubber propane hose to the bottom of the floor as far away from the slide-out system as possible.

(N) NOTE: If there are signs of chafing replacement of the hose will be needed.

8. Remove the P-clamp that holds the rubber propane hose above the slide-out floor.
9. Loosen and remove the flare nut that is connected to the rubber propane hose above the floor.
10. Loosen the flare nut on the other end of the rubber propane hose and remove the hose.
11. Discard the propane hose.
12. Route the new propane hose through the hole where the water lines are routed through.
13. Connect the rubber propane hose to the flare nut above the floor and tighten.
14. Connect the rubber propane hose to the flare nut below the slide-out floor and tighten.
15. Re-install the p-clamp on the rubber propane hose above the slide-out floor as originally installed.
16. Place a p-clamp over the rubber propane hose below the slide-out floor and route the hose as far away from the slide-out system as possible.
17. P-clamp the rubber propane hose to the bottom of the slide-out floor.
18. Operate the slide-out in and out to verify that the water lines and rubber propane hose will not come in contact with the slide-out system. P-clamp as needed.

19. Take a 6" of aluminum or steel angle iron and screw it to the bottom of the slide-out floor to hold the rubber propane hose and water lines to the rear side of the hole in the slide-out floor.
20. Reinstall the connections to the propane tanks and test for leaks.
21. Reinstall all access panels.



**Jayco Service / Parts
Recall Order Form
Fax (800) 825-8409**



**Jay Feather EXP "26L"
Slideout Propane Line
Job Code #9901080
Recalls NHTSA #O8V-407
T.C. #08-279**

Dealer Name:	Recall Account: 2292000	Date:
Dealer Account Number:	Phone:	Fax:
Ship To:	P.O. #:	
	Date Shipped	
Attn:	Ship Via	

9901080_JayFeatheSlideoutPropaneLineOrderForm.cdr

**Each unit's serial number MUST be recorded
when ordering this recall kit.**

Quantity Ordered	Quantity Shipped	Serial Number of Unit (Last 8 Digits)	Part Number	U/M	Unit Price
		<input type="text"/>	0700112 - Kit	EA	N/C
		<input type="text"/>	0700112 - Kit	EA	N/C
		<input type="text"/>	0700112 - Kit	EA	N/C
		<input type="text"/>	0700112 - Kit	EA	N/C
		<input type="text"/>	0700112 - Kit	EA	N/C
		<input type="text"/>	0700112 - Kit	EA	N/C
		<input type="text"/>	0700112 - Kit	EA	N/C
		<input type="text"/>	0700112 - Kit	EA	N/C

**THESE PARTS CAN ONLY BE ORDERED USING THIS FORM.
YOU CAN NOT ORDER THIS THROUGH EMPART.**