



Service Bulletin

American Honda Motor Co., Inc.

SAFETY RECALL

2007-2008 VT750C/C2 Fuel Valve Diaphragm Replacement

Honda Motor Co., Ltd. has decided that a defect that is related to both motor vehicle safety and emissions regulations exists in certain 2007-2008 model year VT750C/C2 motorcycles. The affected units have an improperly manufactured fuel valve diaphragm and the fuel valve may drip fuel.

Safety Consequence

In the presence of an ignition source, dripping fuel poses a risk of fire.

Emission Consequence

Fuel evaporating into the atmosphere will result in the motorcycle no longer meeting regulations. The motorcycle may fail a state or local emissions inspection if you do not make these repairs.

NOTE: California dealers refer to the **CALIFORNIA DEALERS ONLY** section of this Service Bulletin.

CUSTOMER NOTIFICATION

American Honda is sending a letter to owners of all affected 2007-2008 VT750C/C2 models, advising them to take their motorcycle to a Honda motorcycle dealer to have the Safety and Emissions Recall procedure performed.

Your assistance is needed to ensure your VT750C/C2 customers are informed of this Recall. A copy of the customer letter is reproduced on pages 5-6 of this Service Bulletin.

AFFECTED UNITS

2007 VT750C

JH2RC500*7K310001 thru JH2RC500*7K310930
JH2RC501*7K310001 thru JH2RC501*7K310030

2008 VT750C

JH2RC500*8M400003 thru JH2RC500*8M401802
JH2RC500*8K410001 thru JH2RC500*8K410533
JH2RC501*8M400003 thru JH2RC501*8M400183
JH2RC501*8K410001 thru JH2RC501*8K410060

2007 VT750CA

JH2RC504*7M304329 thru JH2RC504*7M305408
JH2RC505*7M300481 thru JH2RC505*7M300600

2008 VT750CA

JH2RC504*8M400002 thru JH2RC504*8M401801
JH2RC504*8K410001 thru JH2RC504*8K410750
JH2RC505*8M400004 thru JH2RC505*8M400183
JH2RC505*8K410001 thru JH2RC505*8K410240

2007 VT750C2

JH2RC530*7M000794 thru JH2RC530*7M003910
JH2RC531*7M000044 thru JH2RC531*7M000422

2008 VT750C2

JH2RC530*8M100001 thru JH2RC530*8M102580
JH2RC530*8K110001 thru JH2RC530*8K110540
JH2RC531*8M100001 thru JH2RC531*8M100300
JH2RC531*8K110001 thru JH2RC531*8K110060

2007 VT750C2F

JH2RC534*7M001007 thru JH2RC534*7M005133
JH2RC535*7M000067 thru JH2RC535*7M000515

2008 VT750C2F

JH2RC534*8M100001 thru JH2RC534*8M102645
JH2RC534*8K110001 thru JH2RC534*8K110371
JH2RC535*8M100001 thru JH2RC535*8M100300
JH2RC535*8K110001 thru JH2RC535*8K110030

(*) denotes check digit

DEALER INVENTORY

According to Federal law, any affected units in your new or used inventory cannot be sold or leased until they are repaired. Refer to the REPAIR VERIFICATION and REPAIR PROCEDURE sections of this Service Bulletin.

REPAIR VERIFICATION

Before you begin the repair procedure, check if the repair has been performed on the unit. See the IDENTIFICATION section of this Service Bulletin for more details.

- If there is a punch mark – No further action is necessary.
- If there is no punch mark – You must proceed with the REPAIR PROCEDURE section of this Service Bulletin.

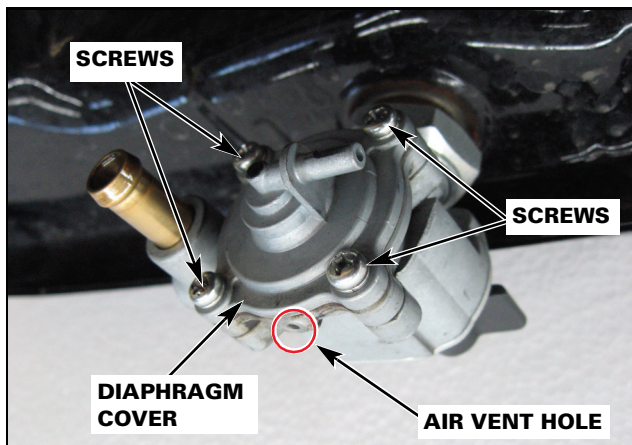
NOTE: Units repaired in the warehouse may not be reflected on i/N at the beginning of the campaign. For this reason, always check the VIN stamp prior to performing this repair.

If you have any questions about repair verification, please contact your DSeM or TechLine at (800) 421-1900, option 9.

REPAIR PROCEDURE

NOTE: Refer to section 2-4 of the *2004-2008 VT750C Service Manual* and section 3-4 of the *2007-2008 VT750C2 Service Manual* for specific removal instructions.

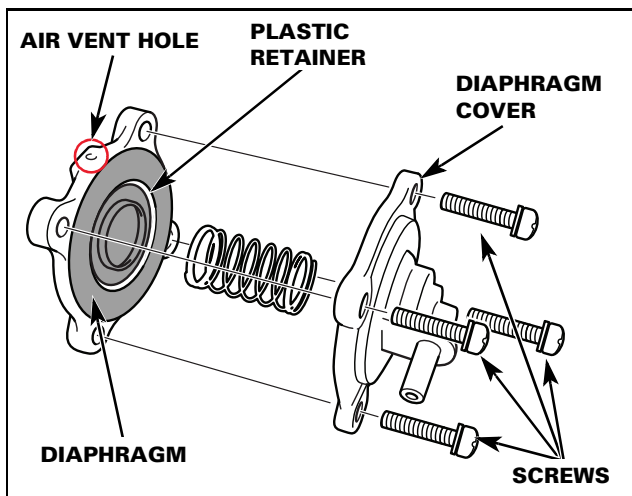
1. Drain the fuel into an approved container.
2. Remove the fuel tank using the procedure in the Service Manual. However, do not remove the fuel valve from the fuel tank.
3. Remove the four screws, and diaphragm cover.



NOTE: The diaphragm cover is under spring pressure. The countermeasure part has a paint mark near the air vent hole.

4. Replace the diaphragm, spring, cover, and screws with new parts included in the kit. Install the new diaphragm with the plastic retainer facing the diaphragm cover.

NOTE: Make sure the air vent hole is facing downward towards the ground.



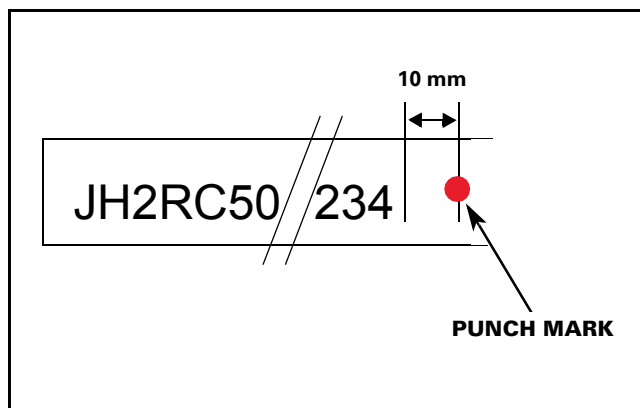
5. Reinstall the fuel tank using the procedures in the Service Manual.
6. Refill the fuel tank.

IDENTIFICATION

FOR FACTORY REPAIRED UNITS ONLY:

Some factory repaired units may have the punch mark at the beginning of the VIN. If there is a punch at either end of the VIN, the repair has been completed.

When you have completed the repair, place a punch mark after the last digit of the VIN located on the right side of the steering head pipe.



CLAIM INFORMATION

This Safety Recall will be in effect until all affected units have been repaired according to this Service Bulletin, regardless of the date of purchase.

Normal warranty claim submission requirements apply. After completing the Service Bulletin repair procedure, submit one warranty claim per unit with the following information:

WARRANTY CLAIM TEMPLATE:

2007-2008 VT750C/CA Fuel Valve Repair

Template: Q75B

Flat Rate Time: 0.4 hour

2007-2008 VT750C2/C2F Fuel Valve Repair

Template: Q75C

Flat Rate Time: 0.4 hour

PARTS INFORMATION

Initial required parts have been automatically sent to dealerships with large numbers of affected units on the dealer responsibility report.

REQUIRED PARTS:

VT750C/CA Set Cover Kit, Valve

P/N: 06160-KEA-306

H/C: 8985194

The kit includes the following parts:

Part Name	Part No.	Qty.
Cover set, valve	16953-KEA-023	1
Bolt, special 6 mm	90004-MBA-660	1
Sticker, wing logo	Discard	1

VT750C2/C2F Set Cover Kit, Valve

P/N: 06160-KEA-308

H/C: 8985202

The kit includes the following part:

Part Name	Part No.	Qty.
Cover set, valve	16953-KEA-023	1
Sticker, wing logo	Discard	1

CALIFORNIA DEALERS ONLY

The California Air Resources Board (CARB) requires vehicle emission recalls to be completed prior to California registration renewal.

Uncorrected emission recalls will result in the inability of affected owners to renew their California vehicle registration.

After completing the inspection and/or repair, and stamping the VIN with a punch mark, all California dealers must issue a completed Vehicle Emission Recall – Proof of Correction certificate to the vehicle owner.

California dealers will receive the Proof of Correction certificate(s) with this Service Bulletin.

If you need more certificates, reorder from Helm, Inc. using item no. S0425.

Fill in the appropriate information on the certificate and give it to the customer (see the sample below).

NOTE: It is critical that you write down **Q75** as the Recall Number.

The certificate may be requested by the California Department of Motor Vehicles at the time of vehicle registration renewal.

Vehicle Emission Recall - Proof of Correction

License Number	Make	Year Model	Body Type	Vehicle Identification Number																				
				<table border="1"><tr><td></td><td></td><td></td><td></td><td></td><td></td><td></td><td></td><td></td><td></td><td></td><td></td><td></td><td></td><td></td><td></td><td></td><td></td><td></td><td></td></tr></table>																				

Manufacturer _____ Recall Number _____

The above described vehicle has been repaired, modified and/or equipped with new emission control devices to meet applicable California Emission Control Laws.

Dealer's Name _____ Address, City, State and Zip _____

Date _____ Dealership's Authorized Signature _____

X

Return this certificate to DMV only when required - otherwise retain for your records.

TEXT OF CUSTOMER LETTER

April 2008

IMPORTANT SAFETY AND EMISSIONS RECALL NOTICE

Dear Honda Owner:

This notice is sent to you in accordance with the requirements of the National Traffic and Motor Vehicle Safety Act and the California Air Resources Board.

What is the reason for this notice?

Honda Motor Co., Ltd. has decided that a defect that is related to both motor vehicle safety and emissions regulations exists in certain 2007-2008 model year VT750 motorcycles. The affected units have an improperly manufactured fuel valve diaphragm and the fuel valve may drip fuel.

Safety Consequence

In the presence of an ignition source, dripping fuel poses a risk of fire.

Emission Consequence

Fuel evaporating into the atmosphere will result in the motorcycle no longer meeting regulations. Your motorcycle may fail a state or local emissions inspection if you do not have this recall repair done.

What should you do?

Please call your authorized Honda motorcycle dealer and make an appointment to have the fuel valve diaphragm on your motorcycle replaced free of charge. Although the repair will take less than one hour, please plan to leave your motorcycle for at least one day to allow the dealer flexibility in scheduling.

California Owners Only:

After completing the repair procedure, your dealer will give you a Vehicle Emission Recall - Proof of Correction certificate. Keep this certificate for your records as proof that the emissions recall was completed. Submit the certificate to the DMV only if the DMV requests it. The DMV will not renew your registration until this emissions recall has been completed. Please make sure the dealer completes and gives you the certificate.

Emission Warranty:

In order to ensure your full protection under the emission warranty provisions, it is recommended that you have your motorcycle serviced as soon as possible. Failure to do so could be determined as lack of proper maintenance.

Who to contact if you experience problems.

If you are not satisfied with the service you receive from your Honda dealer, you may write to:

American Honda Motor Co., Inc.
Motorcycle Customer Service
Mail Stop 100-4C-7B
1919 Torrance Blvd.
Torrance, CA 90501-2746

If you believe that American Honda or the dealer has failed or is unable to remedy the safety defect in your vehicle, without charge, within a reasonable period of time (60 days from the date you first contact the dealer for a repair appointment), you may submit a complaint to:

Administrator
National Highway Traffic Safety Administration
1200 New Jersey Ave., SE
Washington, DC 20590

Or call the toll-free Vehicle Safety Hotline at 1-888-327-4236 (TTY: 1-800-424-9153), or go to <http://www.safercar.gov>.

What to do if you feel this notice is in error.

Our records show that you are the current owner of a 2007-2008 VT750 involved in this campaign. If this is not the case, or the name/address information is not correct, please fill out and return the enclosed, postage-paid Information Change Card. We will then update our records.

If you have questions.

If you have any questions about this notice, or need assistance with locating a Honda dealer, please call Honda Motorcycle Customer Service at (866) 784-1870.

We apologize for any inconvenience this campaign may cause you.

Sincerely,

American Honda Motor Co., Inc.
Motorcycle Division

TEXT OF CUSTOMER LETTER

Use this form only if you have previously paid for this repair.

**Request For Reimbursement
2007-2008 VT750C/C2 Fuel Valve Diaphragm Replacement**

If you meet the following qualifications, American Honda Motor Co., Inc. will reimburse you for the cost of the fuel valve diaphragm replacement. No reimbursement will be made for other costs or repairs.

1. The vehicle must be a 2007-2008 VT750C/C2.
2. The repair must have been required due to the failure that is the subject of this recall. Crash damage or other unrelated repairs will not be reimbursed.

3. The previous fuel valve diaphragm repair must have occurred before 4/10/08.

4. You must have a repair bill showing itemized parts and labor costs, VT750C/C2 model, year, VIN, name, address and phone number of the repair shop, and the date of the repair. There must be verification of payment, such as a copy of a cancelled check, cash receipt, or paid invoice.
5. To qualify for reimbursement, it is not necessary that you still own the affected 2007-2008 VT750C/C2 but you must have been the owner when the fuel valve diaphragm was replaced. Only the owner at the time of the repair may request reimbursement. Do not request reimbursement for the expenses of any other owner.
6. If your motorcycle was repaired prior to 4/10/08 it may have had another defective fuel valve diaphragm installed. You will still need to have your motorcycle repaired according to this recall to assure the latest fuel valve diaphragm design is installed in your motorcycle.

IF YOU ARE QUALIFIED FOR REIMBURSEMENT:

Fill in the blanks; please print clearly.

Name: _____

Street Address: _____

City: _____ State: _____ Zip Code: _____

Telephone: _____

Vehicle Identification Number (VIN): _____

Total Amount Requested: _____

Mail this form together with a copy of your repair bill and verification of payment to:

**American Honda Motor Co., Inc.
Customer Support, M/S 100-4C-7B
1919 Torrance Blvd.
Torrance, CA 90501-2746**

Please allow 6-8 weeks for reimbursement processing.

This form is provided for dealer information and customer photocopies if needed.