



Applies To: **2004–06 TL** – ALL
2007 TL – ALL except Type S with M/T
2008 TL – From VIN 19UUA....8A000001 thru 19UUA....8A005506 (except Type S with M/T)

May 3, 2008

Safety Recall: 2004–08 TL Power Steering Feed Hose Leak
 (Supersedes 08-016, dated April 30, 2008, to update the information marked by the black bars)

BACKGROUND

Prolonged high under-hood temperatures may cause the power steering hose to deteriorate prematurely and may cause the hose to crack and leak power steering fluid. Power steering fluid leaking onto a hot catalytic converter will generate smoke and could lead to an under-hood fire.

CLIENT NOTIFICATION

Owners of affected vehicles will begin receiving notifications of this campaign the last week of April 2008. An example of the client notification is at the end of this service bulletin.

To verify vehicle eligibility, check at least one of these items:

- The client has a notification letter.
- The vehicle is shown as eligible on a VIN status inquiry.

In addition, check for a punch mark above the first character of the engine compartment VIN. A punch mark in that location means this campaign has already been completed.

Some vehicles affected by this campaign may be in your new or used vehicle inventory. **According to federal law, these vehicles cannot be sold or leased until they are repaired.** To see if a vehicle is affected by this campaign, do a VIN status inquiry before selling it.

CORRECTIVE ACTION

Install a power steering feed hose kit.

PARTS INFORMATION

Power Steering Feed Hose Kit:

- 2004 TLs:* P/N 06535-SEP-305
 - 2005–06 TLs with M/T:* P/N 06535-SEP-305
 - 2005–06 TLs with A/T:* P/N 06535-SEP-306
 - 2007–08 TLs with A/T:* P/N 06535-SEP-307
- (Contains P/S feed hose, P/S pressure switch O-ring, P/S pump inlet O-ring, and all bolts, nuts, and gaskets needed for the repair.)

REQUIRED MATERIALS

Acura Precision Crafted Power Steering Fluid:
 P/N 08206-9002A
 (Each vehicle may need up to three 12 oz. bottles.)

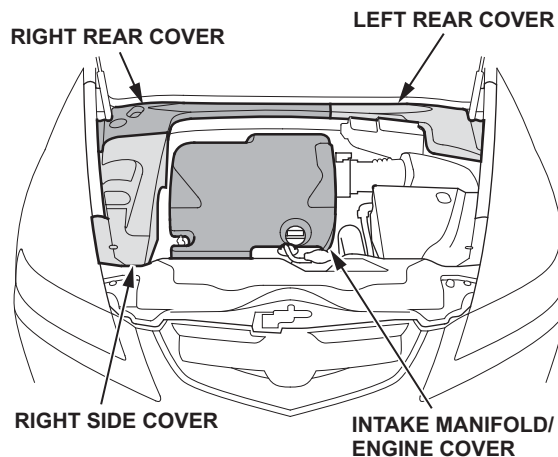
WARRANTY CLAIM INFORMATION

Year	OP#	FRT
2004–06	5121D3	1.9
2007–08	5121D3	1.7

Failed Part: P/N 53713-SEP-A02
 Defect Code: 5PH00
 Symptom Code: Q7300
 Skill Level: Repair Technician

REPAIR PROCEDURE

1. Remove the engine compartment covers shown below.

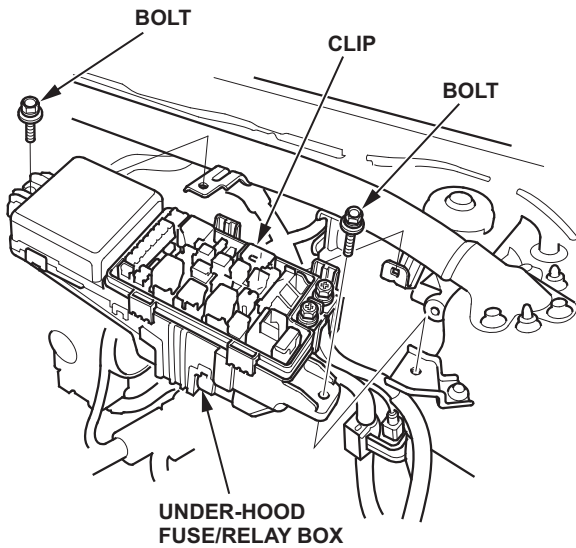


2. Drain the P/S fluid:
 NOTE: Take care not to spill any fluid. Wipe off any spilled fluid immediately.
 - Refer to page 17-13 of the *07–08 TL Service Manual*, or
 - Online, enter keywords **STEERING FLUID**, and select **Power Steering Fluid Check/Replacement** from the list.

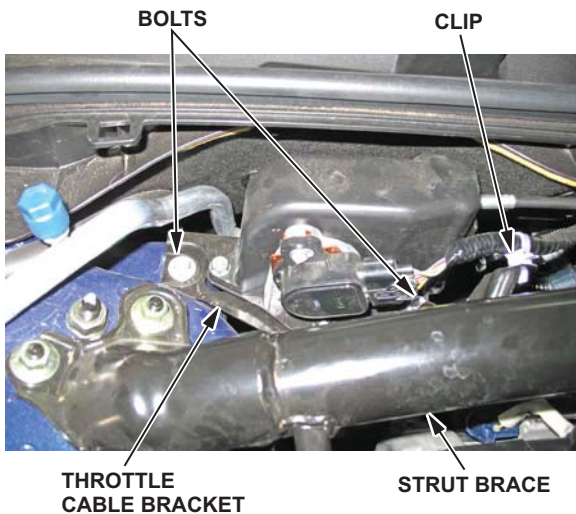


CLIENT INFORMATION: The information in this bulletin is intended for use only by skilled technicians who have the proper tools, equipment, and training to correctly and safely maintain your vehicle. These procedures should not be attempted by “do-it-yourselfers,” and you should not assume this bulletin applies to your vehicle, or that your vehicle has the condition described. To determine whether this information applies, contact an authorized Acura automobile dealer.

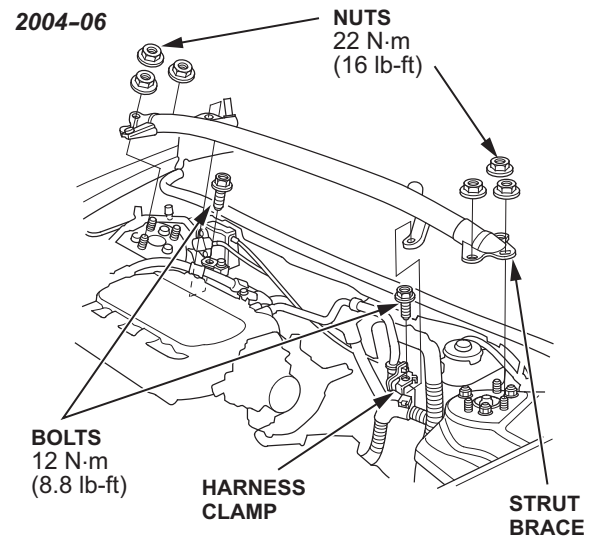
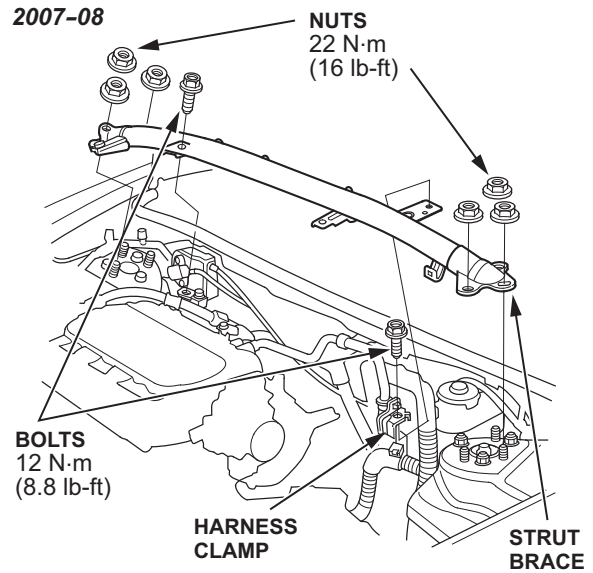
3. Check the condition of the drained fluid:
 - If the fluid is contaminated, dark, or discolored, discard it; do not reuse it.
 - If the fluid is clear with no contamination, save it in a covered container. It will be reused in step 46.
4. Reinstall the return hose on the P/S reservoir. If the hose clamp on the return hose is damaged, replace it.
5. Remove the two bolts from the under-hood fuse/relay box, then detach the fuse/relay box from the strut brace bracket.



6. Remove the two bolts from the throttle cable bracket, then detach the clip from the strut brace.

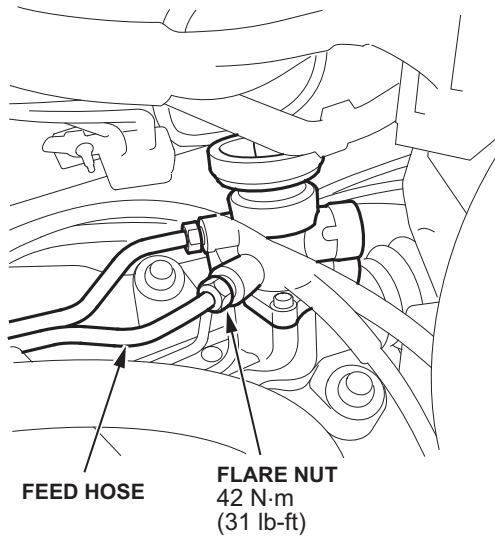


7. Remove the strut brace:
 - Remove the harness clamp.
 - Remove the two bolts.
 - Remove the six nuts.



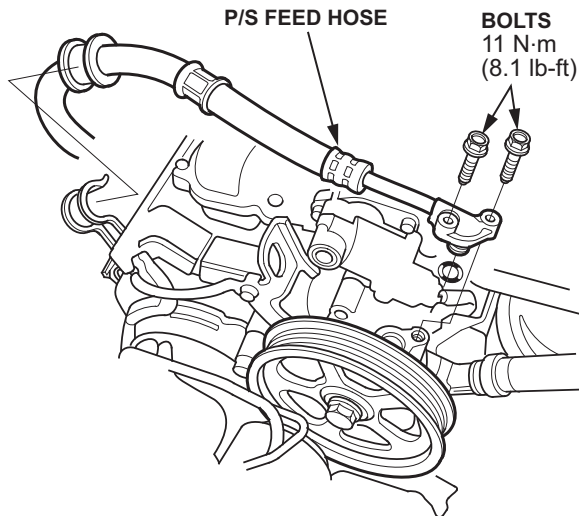
8. Disconnect the P/S feed hose from the gearbox by loosening its flare nut.

NOTE: To prevent fluid from dripping, place several shop towels under the feed hose connection, and wrap a towel around the exposed joint end.



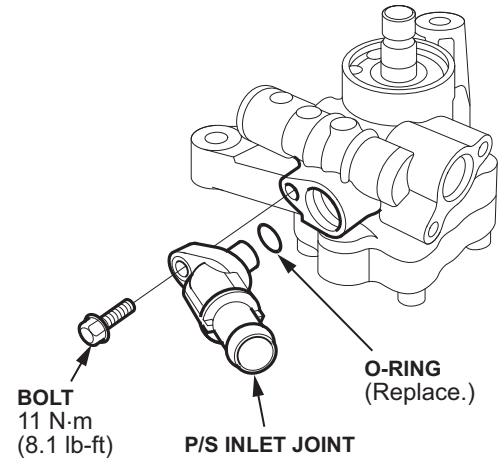
9. Remove the end of the P/S feed hose from the P/S pump.

NOTE: To prevent fluid from dripping, wrap a towel around the exposed end of the hose.

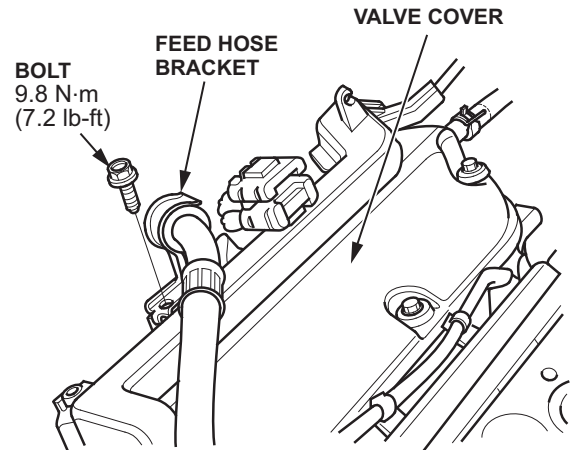


10. Replace the P/S pump inlet joint O-ring:

- Remove the inlet joint from the pump (one bolt).
- Remove the O-ring from the inlet joint.
- Lubricate a new O-ring with clean P/S fluid, then install it on the end of the joint.
- Reinstall the inlet joint, and torque its bolt to **11 N·m (8 lb-ft)**.

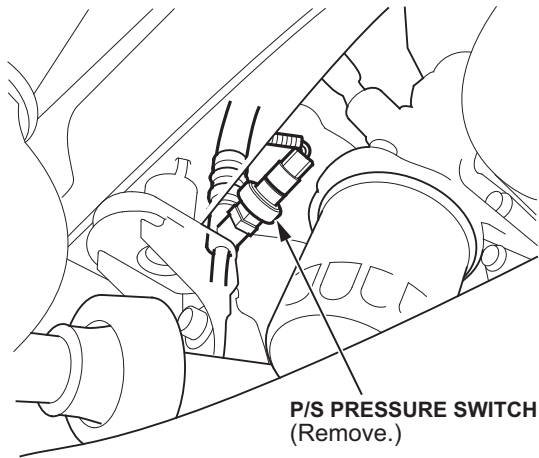


11. Remove the feed hose bracket from the valve cover (one bolt).

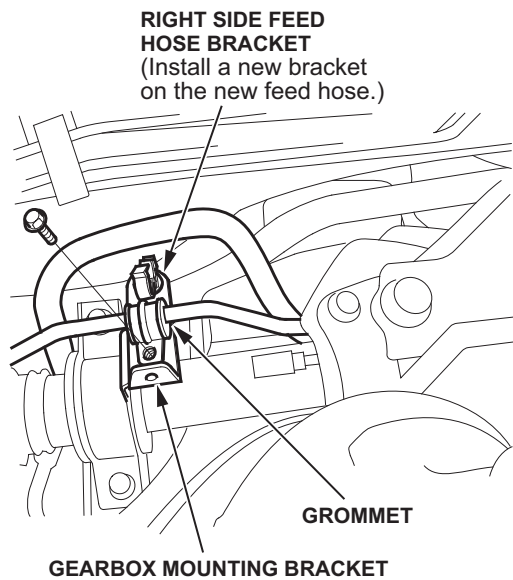


12. Disconnect the P/S pressure switch connector, then remove the pressure switch from the feed hose.

NOTE: To prevent fluid from dripping, stuff the end of a clean shop towel into the feed hose coupler.

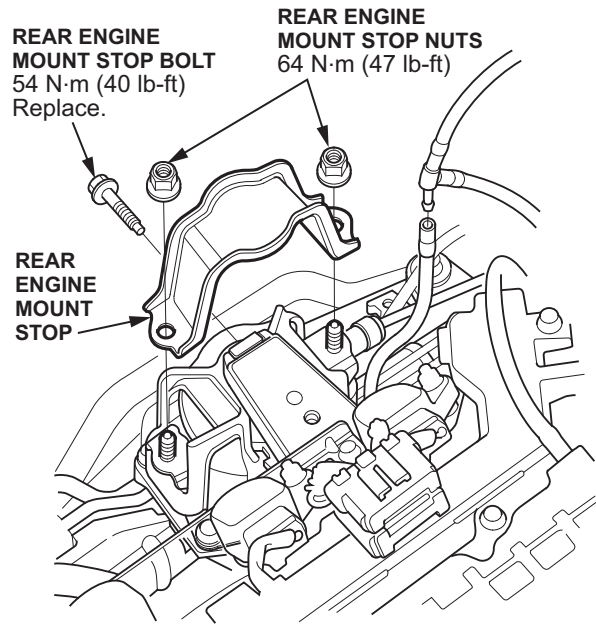


13. Remove the O-ring from the P/S pressure switch, and install a new one.
14. Install the original P/S pressure switch on the new feed hose. Tighten the switch to **12 N·m (8.8 lb-ft)**.
15. Remove the right side feed hose bracket from the steering gearbox mounting bracket (one bolt). The feed hose bracket *will not* be reused.

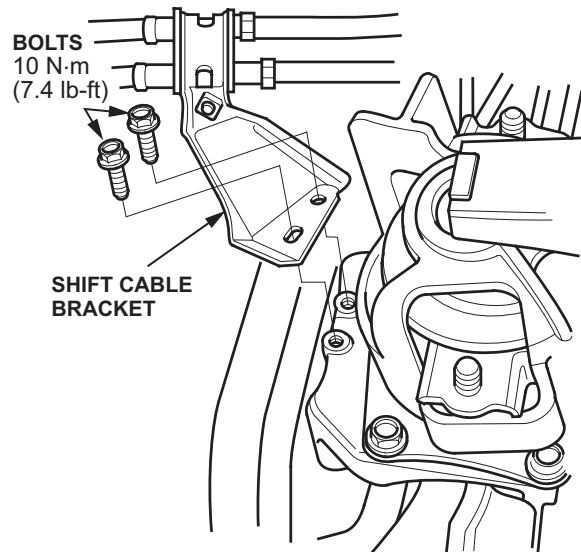


16. Attach a new right side feed hose bracket to the rubber grommet on the new feed hose.

17. Remove the rear engine mount stop (two nuts), then remove the rear engine mount stop bolt. The stop bolt *will not* be reused.



18. *M/T models only:* Remove the two bolts securing the shift cable bracket.

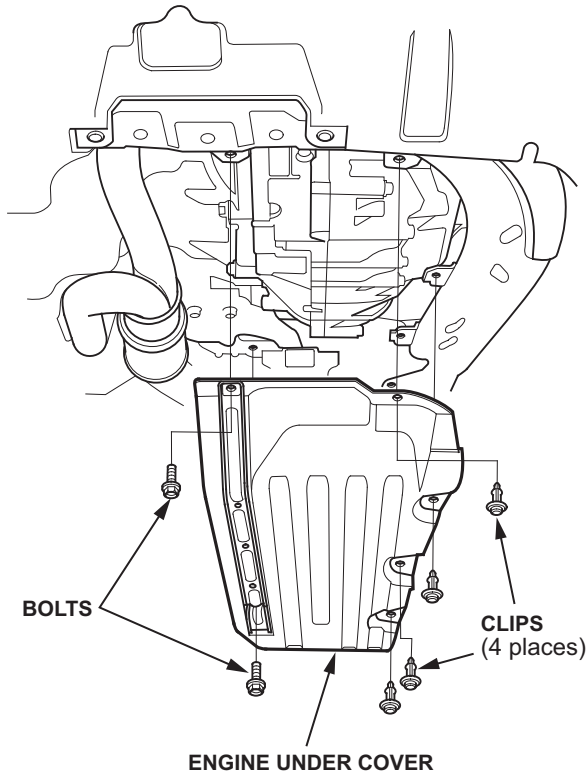


19. Lay the new feed hose next to the original feed hose in the engine compartment. Line up the hoses as closely as possible.

NOTE: When lining up the feed hoses, do not bend or scratch the painted metal line section of the new hose. *Even a scratch on the paint could cause future P/S line corrosion.*

20. Raise the vehicle on a lift, and make sure it's securely supported.

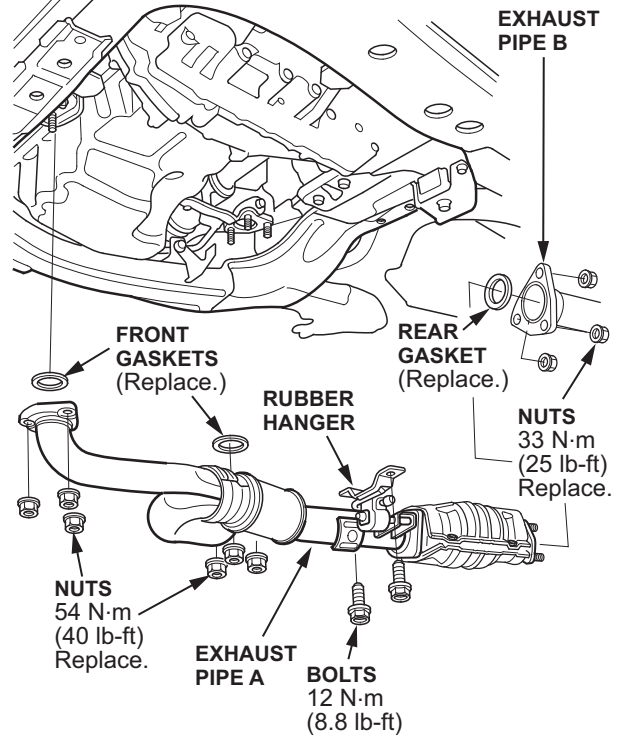
21. Remove the engine under cover (two bolts and four clips).



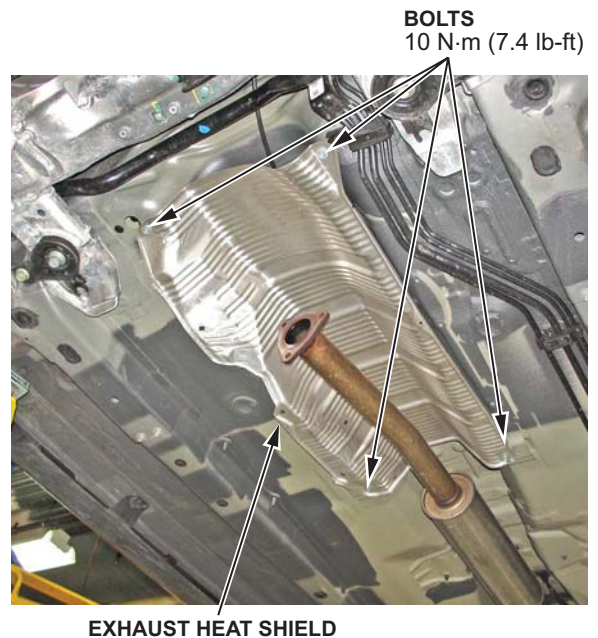
22. Remove exhaust pipe A:

- Remove the rubber exhaust hanger from the subframe.
- Remove exhaust pipe A along with the three way catalytic converter (TWC) (nine self-locking nuts). The nuts *will not* be reused.
- Support exhaust pipe B with a stand.

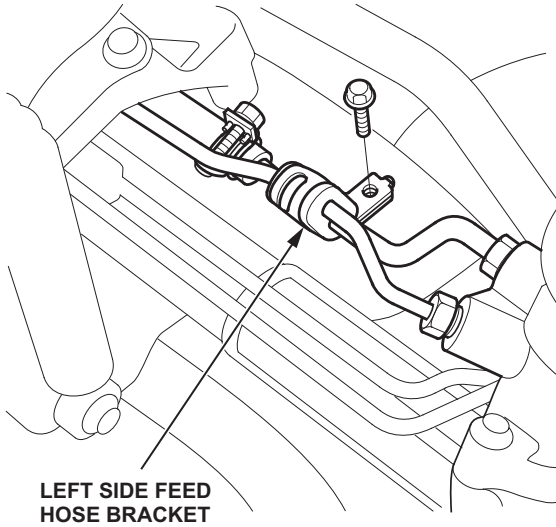
2007–08 TL is shown. Earlier models are similar.



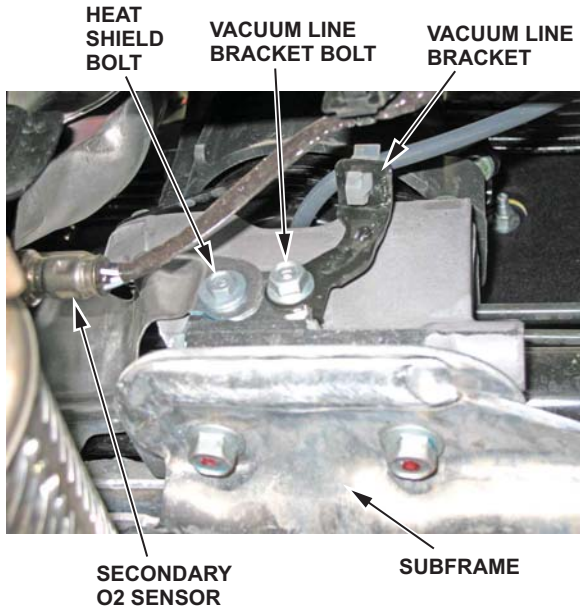
23. Remove the exhaust heat shield.



24. Remove the left side feed hose bracket from the subframe (one bolt).

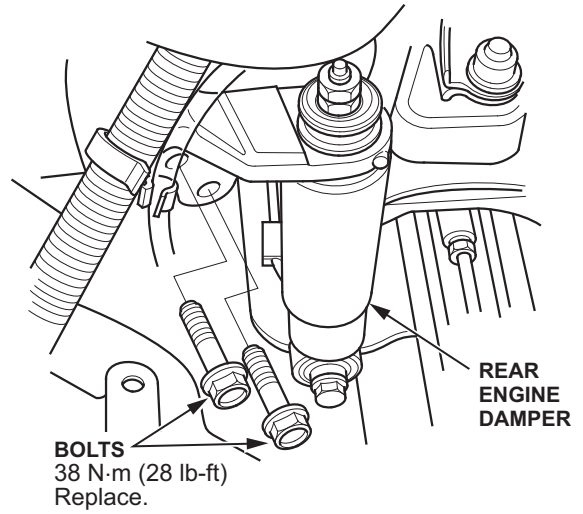


25. Remove the vacuum line bracket from the rear engine mount (one bolt).

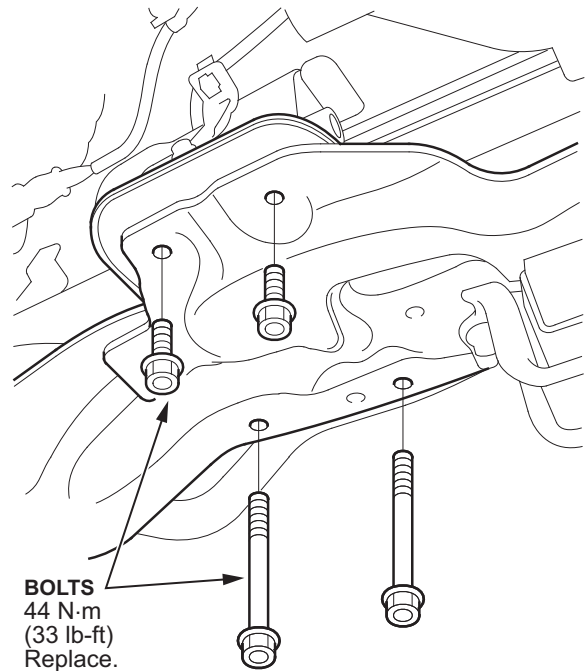


26. Remove the heat shield bolt from the front of the rear engine mount. The bolt is next to the secondary O2 sensor (bank 1, sensor 2).

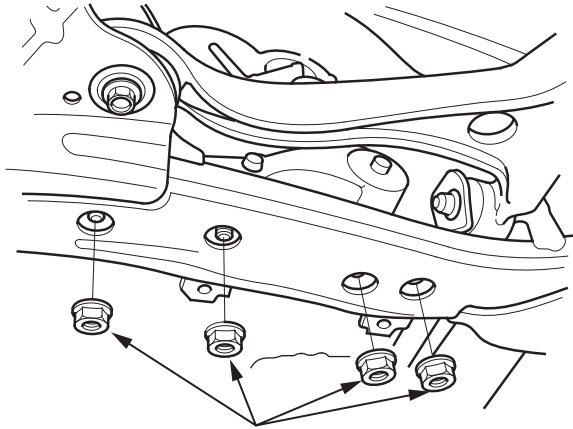
27. *2004–06 M/T models only:* Remove the two bolts securing the rear engine damper. The bolts *will not* be reused.



28. Remove the four rear engine mount bracket bolts from the subframe. The bolts *will not* be reused.

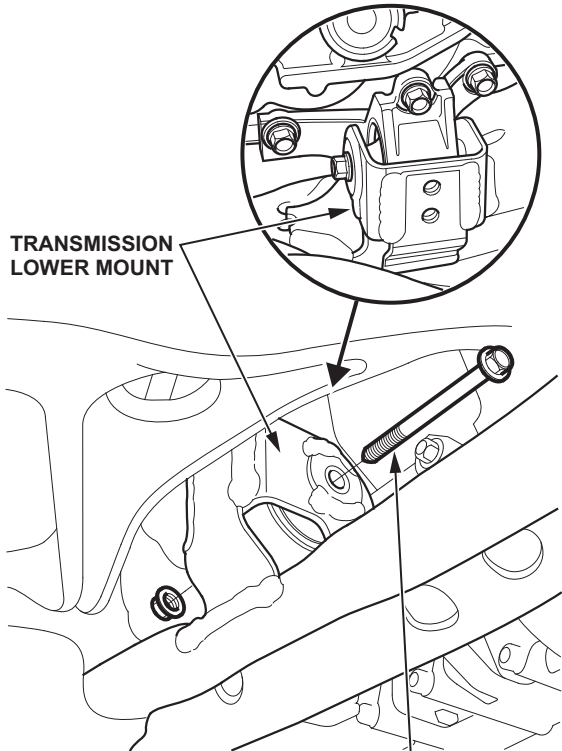


29. *2004–06 models only:* Remove the four transmission front/rear lower mount nuts. The nuts *will not* be reused.



TRANSMISSION FRONT/REAR LOWER MOUNT NUTS
44 N·m (33 lb-ft)
Replace.

30. *2007–08 models only:* Remove the center bolt from the transmission lower mount:

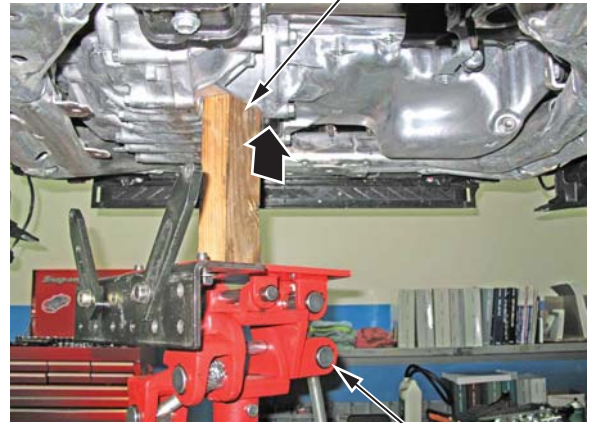


TRANSMISSION LOWER MOUNT

CENTER BOLT
59 N·m (43 lb-ft)

31. Using a transmission jack and a block of wood, position the wood in a secure area on the engine/transmission assembly, then *slightly* lift the assembly.

Position the wood in a secure area on the engine/transmission assembly.

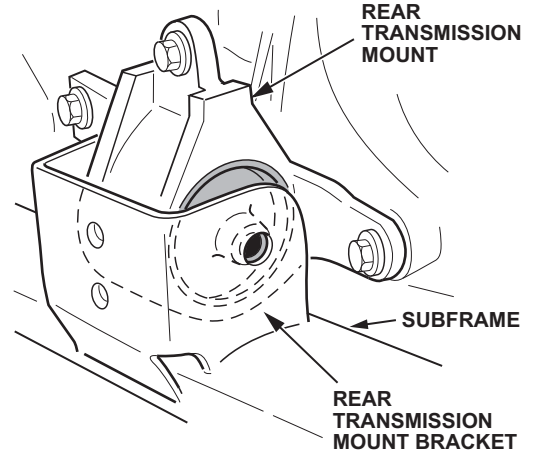


TRANSMISSION JACK STAND

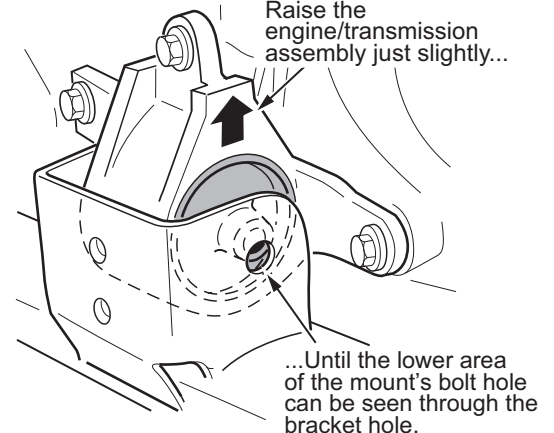
NOTE:

- To minimize the stress damage on the other engine/transmission mounts, do not lift the assembly too much.
- On 2007–08 models, the maximum allowable lift is reached when you see the lower part of the mount's bolt hole through the bracket hole (see below).

ORIGINAL POSITION



RAISED POSITION



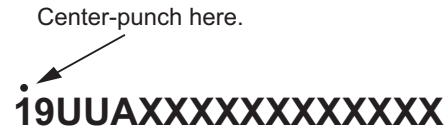
32. Shift the rear engine mount up and to the left, towards the master cylinder.
33. Swap the positions of the new hose and the original hose (previously lined up in step 19), between the rear engine mount bridge and the subframe.
NOTE: Be careful not to bend or damage the metal line section of the new feed hose.
34. Move the rear engine mount back into place, with the new feed hose routed through it.
35. Hand-tighten the new bolts for the rear engine mount bracket; do not torque them yet.
36. Lower the transmission jack, and remove the block of wood.
37. *2004–06 models only:* Install four new transmission front/rear lower mount nuts. Torque the nuts to **44 N·m (33 lb-ft)**. *2007–08 models only:* Reinstall the transmission lower mount center bolt, and torque it to **59 N·m (43 lb-ft)**.
38. Torque the four new rear engine mount bracket bolts to **44 N·m (33 lb-ft)**.
39. *2004–06 M/T models only:* Torque the two new rear engine damper bolts to **38 N·m (28 lb-ft)**
40. Reinstall the exhaust heat shield, and torque its bolts to **22 N·m (16 lb-ft)**.
41. Reattach exhaust pipe A and the TWC using new gaskets and self-locking nuts. Use the torque specs on page 5.
42. Reinstall the rubber exhaust hanger to the subframe.
43. Reinstall all other parts removed from the underside of the vehicle, then lower it.
44. Remove the original feed hose from the engine compartment, then attach the new feed hose to the gearbox and to the P/S pump:
 - Torque the gearbox flare nut on the new feed hose to **42 N·m (31 lb-ft)**.
 - Torque the P/S pump feed hose bolts to **11 N·m (8.1 lb-ft)**.
45. Reinstall all remaining removed parts except the right side engine compartment cover. Replace any damaged trim clips.
46. Using the clear P/S fluid you removed from the system (or new fluid if the original fluid was contaminated or discolored), fill the P/S reservoir to the upper level line.
NOTE:
 - Use Acura Precision Crafted Power Steering Fluid.
 - The system capacity is **1.1 L (37.2 oz)**.
 - The reservoir capacity is **0.32 L (10.8 oz)**.
47. Start the engine, run it at a fast idle, and turn the steering wheel lock-to-lock several times. This will bleed any air from the P/S system.

48. Recheck the fluid level, and add more if needed. Do not fill the reservoir above the upper level line.

NOTE:

- Make sure you remove all shop towels used during the procedure.
- Wipe off any spilled P/S fluid.

49. Reinstall the right side engine compartment cover.
50. Center-punch a completion mark above the first character of the engine compartment VIN.



Example of Client Letter

Spring 2008

Safety Recall: Power Steering Fluid Leak

Dear TL Owner:

This notice is sent to you in accordance with the requirements of the National Traffic and Motor Vehicle Safety Act.

What is the reason for this notice?

Honda Motor Co., Ltd., has decided that a defect relating to motor vehicle safety exists in certain 2004–2008 model year TL vehicles. Prolonged high under-hood temperatures may cause the power steering hose to deteriorate prematurely and may cause the hose to crack and leak power steering fluid. Power steering fluid leaking onto a hot catalytic converter will generate smoke and possibly lead to an under-hood fire.

What should you do?

Call any authorized Acura dealer and make an appointment to have your vehicle repaired. The dealer will inspect and replace the power steering hose *free of charge*. Please plan to leave your vehicle for half a day to allow the dealer flexibility in scheduling.

Who to contact if you experience problems.

If you are not satisfied with the service you receive from your Acura dealer, you may write to:

American Honda Motor Co., Inc.
Acura Client Services
Mail Stop 500-2N-7E
1919 Torrance Blvd.
Torrance, CA 90501-2746

If you believe that American Honda or the dealer has failed or is unable to remedy the defect in your vehicle, without charge, within a reasonable period of time (60 days from the date you first contact the dealer for a repair appointment), you may submit a complaint to:

Administrator
National Highway Traffic Safety Administration
1200 New Jersey Avenue, S.E.
Washington, DC 20590

You can also call the toll-free Safety Hotline at (888) 327-4236 (TTY [800] 424-9153), or go to <http://www.safercar.gov>.

What to do if you feel this notice is in error.

Our records show that you are the current owner of a 2004–2008 TL potentially affected by this campaign. If this is not the case, or the name/address information is not correct, please fill out and return the enclosed, postage-paid Information Change Card. We will then update our records.

Lessor Information.

Federal law requires that any vehicle lessor receiving this recall notice must forward a copy of this notice to the lessee within 10 days.

If you have questions.

If you have any questions about this notice, or need assistance with locating an Acura dealer, please call Acura Client Services at (800) 382-2238.

We apologize for any inconvenience this campaign may cause you.

Sincerely,

**American Honda Motor Co., Inc.
Acura Automobile Division**

April 22, 2008

Dear Service Manager:

Honda Motor Co., LTD. is announcing a safety recall campaign for all 2004–06 TLs and some 2007–08 TLs. On affected vehicles, prolonged high under-hood temperatures may cause the power steering hose to deteriorate prematurely and may cause the hose to crack and leak power steering fluid. Power steering fluid leaking onto a hot catalytic converter will generate smoke and could lead to an under-hood fire.

Repair Strategy

The repair is to install a power steering feed hose kit. For repair, affected vehicle, and warranty information, refer to Service Bulletin 08-016, *Safety Recall: 2004–08 TL Power Steering Feed Hose Leak*.

Some vehicles affected by this recall may be in your new or used vehicle inventory. You should not sell or lease these vehicles until they have been repaired. Should an unrepaired vehicle cause an injury or damage because of the recalled item, the dealership will be solely responsible to the damaged party, and will be required to defend and indemnify American Honda for any resulting claims.

To see if a vehicle is affected by this campaign, do a VIN status inquiry. In addition, check for a punch mark above the first character of the engine compartment VIN. A punch mark in that location means the power steering feed hose kit was already installed.

Client Notification

All affected vehicle owners will receive a notification of this campaign the week of April 28, 2008. An example of the client notification is at the end of S/B 08-016.

Parts Information

Allocation of power steering feed hose kits will begin on April 25, 2008. The allocation allows you to begin repairing 2004 TLs and 2005–06 TLs with M/T. Kits to support the repair of 2005–08 TLs with A/T will be allocated at a later date. The ordering method for kits will also be announced at a later date.

Sincerely,

American Honda Motor Co., Inc.
Acura Automobile Division