

December 6, 2007

REGARDING: SAFETY RECALL

To: [dealers name and address]

Dear Cornhusker Trailer Dealer,

This notice is sent to you in accordance with the requirements of the National Highway Traffic and Motor Vehicle Safety Act.

Truck Equipment Service Co. , manufacturer of Cornhusker Trailers, has decided that a defect which relates to motor vehicle safety exists in certain 'Rock Pup' trailers.

Only 'Rock Pup' trailers with a 16ft. dump box installed are affected. The 16ft. box mount causes a steel frame plate to be shortened causing a reduction in strength. A crack may develop in welds on the main frame rails. In time this crack may propagate causing the main frame to separate causing a crash.

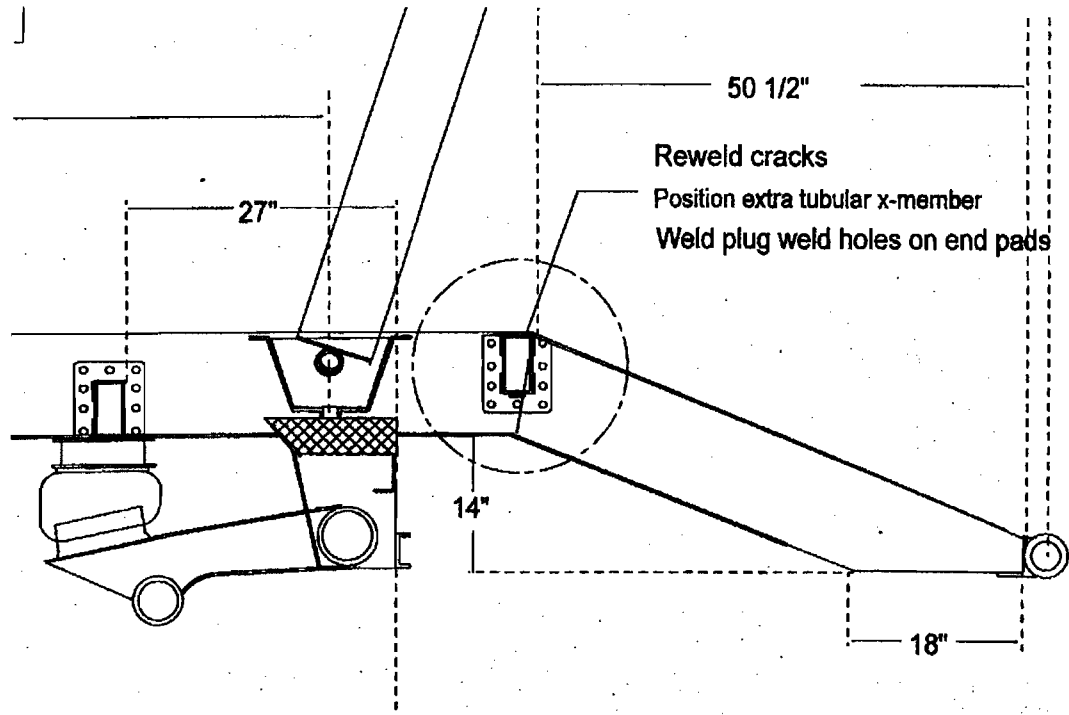
Cornhusker Model Affected: 800R 'Rock Pup' chassis with 16ft. dump boxes.

An enclosed list indicates trailers delivered to your location.

Visually Inspect Trailers: Inspect the welds where the sloped frame 'nose' welds to the horizontal main frame rails. These are made from 10" x 4" steel tubing. The crack will most likely be found on the inboard side of the frame rail.

If cracks are found call Karl Sorensen at 800-869-0363 ext. 5

Install Frame Update: A frame update kit will be sent to you if your customer cannot arrange for repairs at our plant in Lincoln, NE. After the cracks are gouged out and rewelded, an extra 3" x 6" tubular steel cross member with plug welded end pads will be installed centered on the area in question.



We are sorry to cause you this inconvenience: however we have taken this action in the interest of your safety and continued satisfaction with our products.

Sincerely,

Karl Sorensen
Mfg. Superintendent
Truck Equipment Service Co.
800 Oak St.
Lincoln, NE 68521

karl@cornhusker800.com