

Four Winds

INTERNATIONAL

Visit our website at www.fourwinds-rv.com

701 C.R. 15, P.O. Box 1486 ● Elkhart, IN 46515-1486 ● Phone (574) 266-1111 ● Fax (574) 293-5256

August 2007

VEHICLE SAFETY DEFECT SERVICE BULLETIN

Recall Campaign No: 07V-305

LP Gas Line

IMPORTANT

- **Your 2007 Four Winds motor home is involved in a safety recall because there is improper routing/support of the LP Gas line to the kitchen.**

Dear Four Winds International Dealer:

Four Winds International has voluntarily initiated a safety recall campaign relating to certain model year 2007 Four Winds Windsport and Magellan motorhomes with 35B and 36R model configurations. Enclosed you will find a list of affected coaches, instructions for remedy, parts list required for remedy, and a copy of the owner notification letters.

All unsold motorhomes in your dealership's possession that are subject to this recall campaign must be held and repaired in accordance with the service procedure prior to owner taking possession of the motorhome. Additionally, you should contact owners of those effected motorhomes sold by your dealership to verify they have received the recall campaign notification letter and to schedule the service repair.

The National Traffic and Motor Vehicle Safety Act provides that each vehicle that is subject to a recall campaign must be adequately repaired within a reasonable time after the owner has tendered it for repair. Generally, failure to repair within sixty (60) days after the owner first delivered it for repair is considered an unreasonable delay.

In addition to the enclosed letter, owners will also receive a recall card. The motorhome owner will present this card to you upon arrival to your service center. Upon repair finalization, please fill in the appropriate information and return it to Four Winds International along with your claim for payment.

Sincerely,

Anthony Chupp
Director of Consumer Services
Mandalay Luxury Division
Four Winds International

Four Winds INTERNATIONAL

701 C.R. 15, P.O. Box 1486 • Elkhart, IN 46515-1486 • Phone (574) 266-1111 • Fax (574) 293-5256

RECALL #07V-305 **Galley Slideout Propane Gas Line Support**

The following 2007 models with the following unit Serial/VIN Numbers will be affected by this procedure.

Windsport 36R

SERIAL #	VIN #
WAD002998	1F6NF53Y460A17320
WAD002993	1F6NF53Y860A17319
WAD002879	1F6NF53Y160A16156
WAD002933	1F6NF53Y760A16730
WAD002946	1F6NF53Y860A15540
WAD002970	1F6NF53Y760A17117
WAD002935	1F6NF53Y860A16784
WAD002945	1F6NF53YX60A15765
WAD002908	1F6NF53Y060A16732
WAA018785	1F6NF53Y260A14836
WAD002956	1F6NF53Y860A15764
WAD002901	1F6NF53YX60A15541
WAD002958	1F6NF53Y260A16957
WAD002931	1F6NF53Y660A16783
WAD002981	1F6NF53Y460A17317
WAD002938	1F6NF53Y960A16731
WAD002924	1F6NF53Y160A15539
WAD002918	1F6NF53YX60A16785

Windsport 36R

SERIAL #	VIN #
WAD003008	1F6NF53Y770A00352
WAD003013	1F6NF53Y370A00350
WAD003022	1F6NF53Y270A00985
WAD003025	1F6NF53Y670A00973
WAD003035	1F6NF53Y870A00991
WAD003040	1F6NF53Y970A00983
WAD003054	1F6NF53Y770A00982
WAD003055	1F6NF53YX70A00989

Magellan 36R

SERIAL #	VIN #
LAD002964	1F6NF53Y070A00354

The following procedures must be performed by an authorized service center.

As stated in the terms of the Four Winds International Limited Warranty, Four Winds International will not pay for any damage caused by failure to properly maintain your Recreational Vehicle. Four Winds International considers the work necessary under this campaign to be proper maintenance and will, therefore not pay for any damage to the vehicle caused by your failure to have the repairs that are the subject of this campaign performed in a reasonable time.

Four Winds

INTERNATIONAL

701 C.R. 15, P.O. Box 1486 • Elkhart, IN 46515-1486 • Phone (574) 266-1111 • Fax (574) 293-5256

SUMMARY

Four Winds International has determined that the flexible propane gas supply line to the galley range & oven (optional) may be improperly routed or inadequately supported.

CONSEQUENCE

Continued operation of the propane gas system may result in a rupture of the propane gas line causing a gas leak that could result in a fire or an explosion which could result in serious injury or death.

REMEDY

The following procedure will reconfigure the propane system piping to eliminate the potential for binding or kinking.

Job Code: 1804-08

Failure Code: 030

Time Allowed: 1.0

Supplied Parts:

- 1 - Nylon Strap***
- 1 - Exterior Cabinet L-Cover (Cherry)***
- 2 - 3/4" Self Tapping Screws***
- 3 - L-Brackets***
- 6 - 7" - 50 lbs. Cable Ties (or Equivalent)***
- 8 - 5/8" Wood Screws***

Four Winds

INTERNATIONAL

701 C.R. 15, P.O. Box 1486 • Elkhart, IN 46515-1486 • Phone (574) 266-1111 • Fax (574) 293-5256

PROCEDURE

⚠ DANGER

Propane gas is highly volatile and extremely explosive. Do not use matches or a flame to test for leaks. Use only approved Propane gas leak testing solutions for leak detection. Unapproved solutions can damage copper tubing and brass fittings. Never attempt to adjust propane gas regulators. Only qualified personnel should perform any maintenance or repair to the propane gas system.

⚠ WARNING

Never check for leaks with an open flame. The scent of propane gas (a garlic-like odor) is actually ethyl mercaptan, an additive that allows you to detect the presence of a leak, since propane gas is naturally odorless. Do not rely upon being able to detect the smell of the gas, as the odor may fade.

1. Make sure all pilot lights are extinguished. Shut off gas to all appliances by first turning off each appliance, then close the propane gas main shut-off valve.
2. Extinguish open flames and smoking materials.
3. Open all windows and vents and allow the motorhome to ventilate for approximately 10 minutes prior to performing this remedy.
4. Using the hydraulic leveling system, level the motorhome.
5. Extend the galley slideout room.
6. Remove the two (2) kitchen sink base cabinet doors. This will provide extra work space for installing the new L-Cover.
7. Carefully remove the 4" L-Cover from the stove top base cabinet end panel refer to Figure 1.
8. Retract the galley slideout room.
9. Secure three (3) L-Brackets to the supplied L-Cover using 5/8" wood screws as illustrated in Figure 2.
10. Secure the Nylon Strap to the supplied L-Cover using two (2) 5/8" wood screws as illustrated in Figure 2.
12. Now secure the L-Cover to the stove top base cabinet end panel by anchoring the L-Brackets to the stove top base cabinet end panel (Refer to Figure 3).

Four Winds INTERNATIONAL

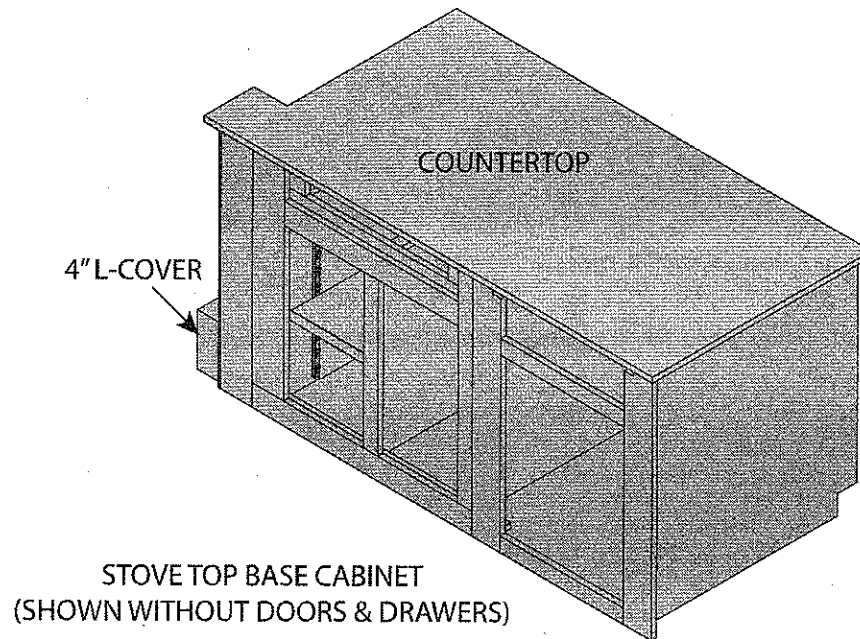
701 C.R. 15, P.O. Box 1486 • Elkhart, IN 46515-1486 • Phone (574) 266-1111 • Fax (574) 293-5256

13. Secure the free end of the Nylon Strap to the interior sidewall using two (2) 3/4" self tapping screws as illustrated in Figure 4.
14. Use the six (6) cable ties to secure the Propane Gas Line to the Nylon Strap (Refer to Figure 4).
15. Extend the slideout room.
16. Install the two (2) kitchen sink base cabinet doors.
17. Retract the slideout room.
15. Perform a Propane Gas Leak Test on the Propane System.

Four Winds INTERNATIONAL

701 C.R. 15, P.O. Box 1486 • Elkhart, IN 46515-1486 • Phone (574) 266-1111 • Fax (574) 293-5256

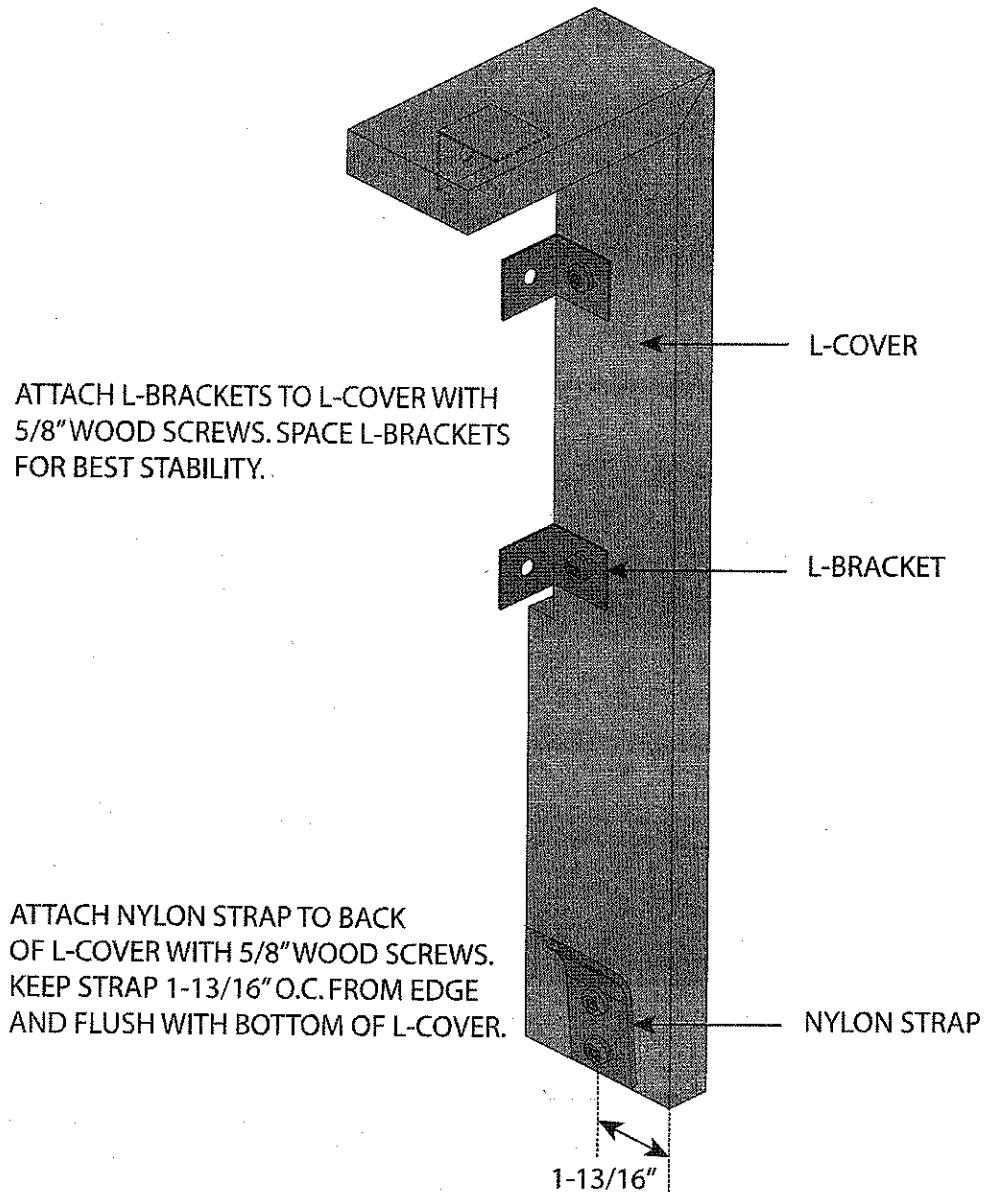
Figure 1: Stove Top Base Cabinet with 4" L-Cover



Four Winds INTERNATIONAL

701 C.R. 15, P.O. Box 1486 • Elkhart, IN 46515-1486 • Phone (574) 266-1111 • Fax (574) 293-5256

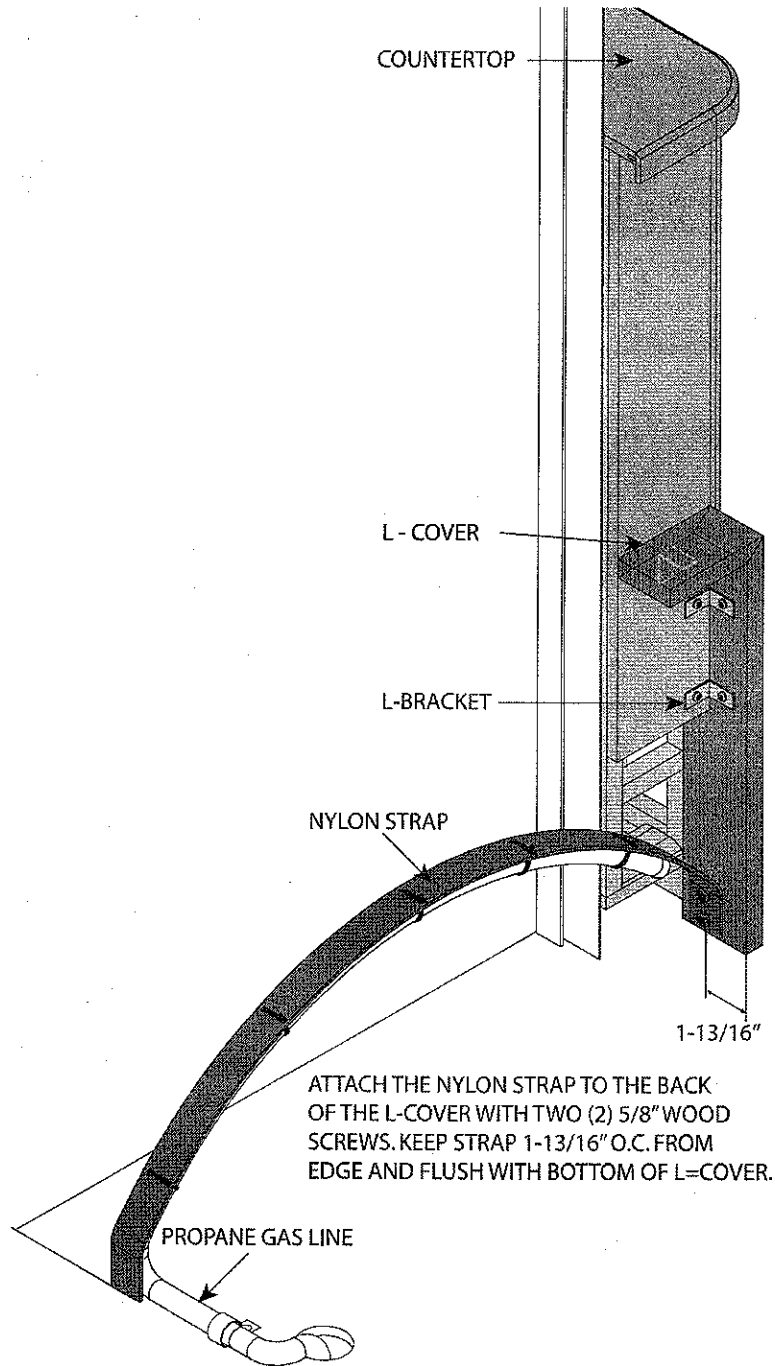
Figure 2: L-Cover Assembly Detail



Four Winds INTERNATIONAL

701 C.R. 15, P.O. Box 1486 • Elkhart, IN 46515-1486 • Phone (574) 266-1111 • Fax (574) 293-5256

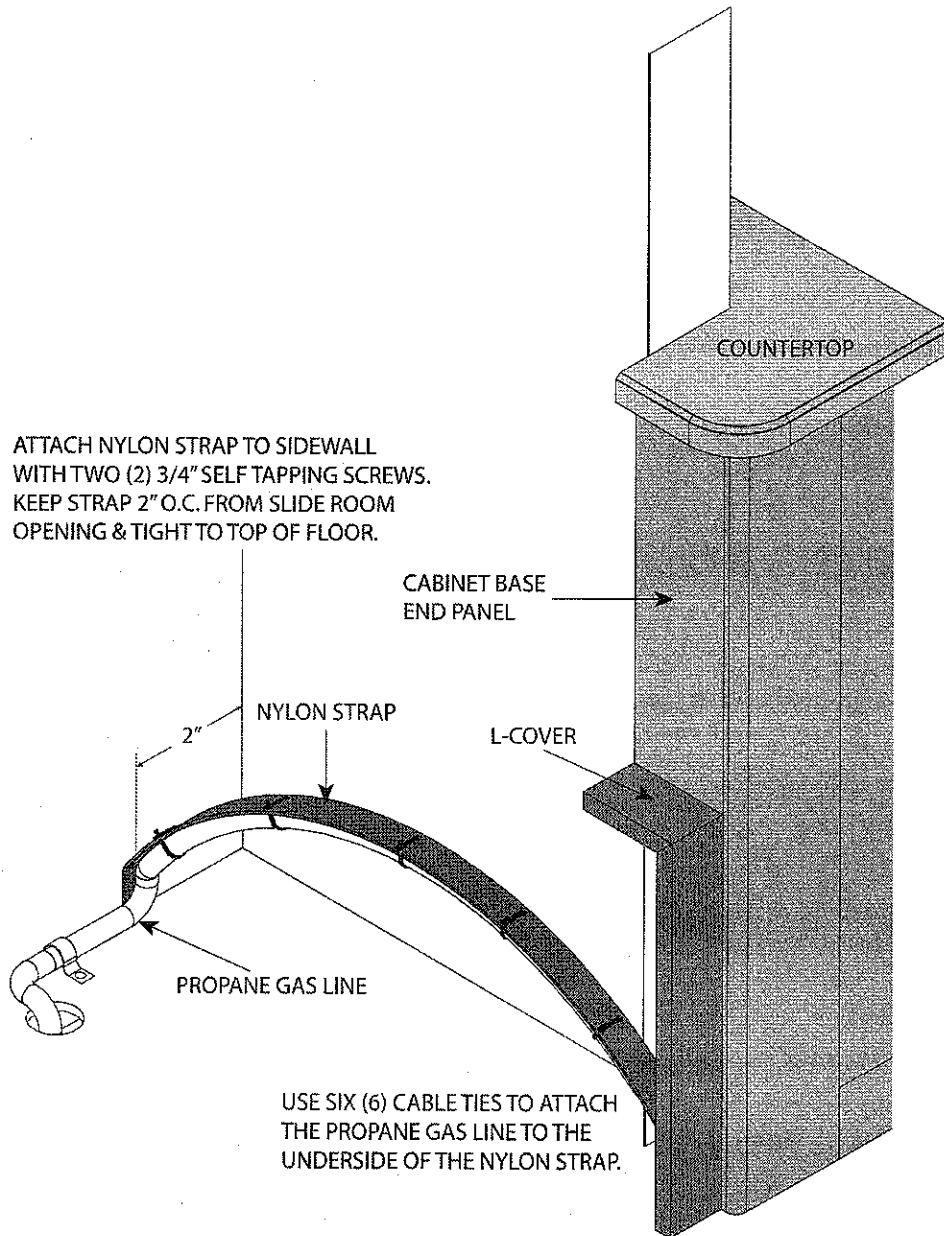
Figure 3: L-Cover (Securing to the Stove Top Base Cabinet)



Four Winds INTERNATIONAL

701 C.R. 15, P.O. Box 1486 • Elkhart, IN 46515-1486 • Phone (574) 266-1111 • Fax (574) 293-5256

Figure 4: Nylon Strap (Securing the Strap to the Interior Sidewall)



Four Winds INTERNATIONAL

701 C.R. 15, P.O. Box 1486 • Elkhart, IN 46515-1486 • Phone (574) 266-1111 • Fax (574) 293-5256

RECALL #07V-305 Galley Slideout Propane Gas Line Support

The following 2007 models with the following unit Serial/VIN Numbers will be affected by this procedure.

Windsport 35B

WAA017841	1F6NF53Y860A03257
WAA018100	1F6NF53Y260A12584
WAA018130	1F6NF53Y060A09280
WAA018170	1F6NF53Y260A09278
WAA018190	1F6NF53Y260A09281
WAA018280	1F6NF53Y060A13944
WAA018420	5B4MP67G963414331
WAA018480	1F6NF53Y460A09282
WAA018530	1F6NF53Y660A09283
WAA018570	5B4MP67G863414658
WAA018620	5B4MP67GX63414659
WAA018677	1F6NF53Y060A13961
WAA018686	1F6NF53Y260A13945
WAA018833	1F6NF53Y260A13962
WAD002841	1F6NF53Y460A13946
WAD002844	1F6NF53Y460A13963
WAD002849	1F6NF53Y660A13947
WAD002866	1F6NF53YX60A13949
WAD002868	1F6NF53Y960A13943
WAD002876	1F6NF53Y560A15768
WAD002897	1F6NF53Y860A13948
WAD002903	1F6NF53Y660A13964
WAD002906	1F6NF53Y060A15192
WAD002911	1F6NF53Y260A15193

Windsport 35B

WAD002914	1F6NF53Y460A16295
WAD002916	1F6NF53Y260A16960
WAD002936	1F6NF53Y760A17120
WAD002940	1F6NF53Y560A17861
WAD002944	1F6NF53Y960A17863
WAD002950	1F6NF53Y760A17862
WAD002952	1F6NF53Y860A18938
WAD002954	1F6NF53Y670A00360
WAD002962	1F6NF53Y870A00361
WAD002966	1F6NF53Y370A00364
WAD003020	1F6NF53Y470A00356
WAD003062	1F6NF53YX70A00359
WAD003070	1F6NF53Y270A00999

Magellan 35B

LAD002700	1F6NF53YX60A12588
LAD002764	1F6NF53Y460A09279
LAD002855	1F6NF53Y760A13942
LAD002929	1F6NF53Y660A16959
LAD003044	1F6NF53Y670A00357
LAD003047	1F6NF53YX70A00362
LAD003050	1F6NF53Y170A00363
LAD003060	1F6NF53Y870A00358

The following procedures must be performed by an authorized service center.

As stated in the terms of the Four Winds International Limited Warranty, Four Winds International will not pay for any damage caused by failure to properly maintain your Recreational Vehicle. Four Winds International considers the work necessary under this campaign to be proper maintenance and will, therefore not pay for any damage to the vehicle caused by your failure to have the repairs that are the subject of this campaign performed in a reasonable time.

Four Winds INTERNATIONAL

701 C.R. 15, P.O. Box 1486 • Elkhart, IN 46515-1486 • Phone (574) 266-1111 • Fax (574) 293-5256

SUMMARY

Four Winds International has determined that the flexible propane gas supply line to the galley range & oven (optional) may be improperly routed or inadequately supported.

CONSEQUENCE

Continued operation of the propane gas system may result in a rupture of the propane gas line causing a gas leak that could result in a fire or an explosion which could result in serious injury or death.

REMEDY

The following procedure will reconfigure the propane system piping to eliminate the potential for binding or kinking.

Job Code: 1804-09

Failure Code: 030

Time Allowed: 0.50

Supplied Parts:

3 - 7" - 40 lbs. Cable Ties with Eyelete (or Equivalent)

Four Winds

INTERNATIONAL

701 C.R. 15, P.O. Box 1486 • Elkhart, IN 46515-1486 • Phone (574) 266-1111 • Fax (574) 293-5256

PROCEDURE

⚠ DANGER

Propane gas is highly volatile and extremely explosive. Do not use matches or a flame to test for leaks. Use only approved Propane gas leak testing solutions for leak detection. Unapproved solutions can damage copper tubing and brass fittings. Never attempt to adjust propane gas regulators. Only qualified personnel should perform any maintenance or repair to the propane gas system.

⚠ WARNING

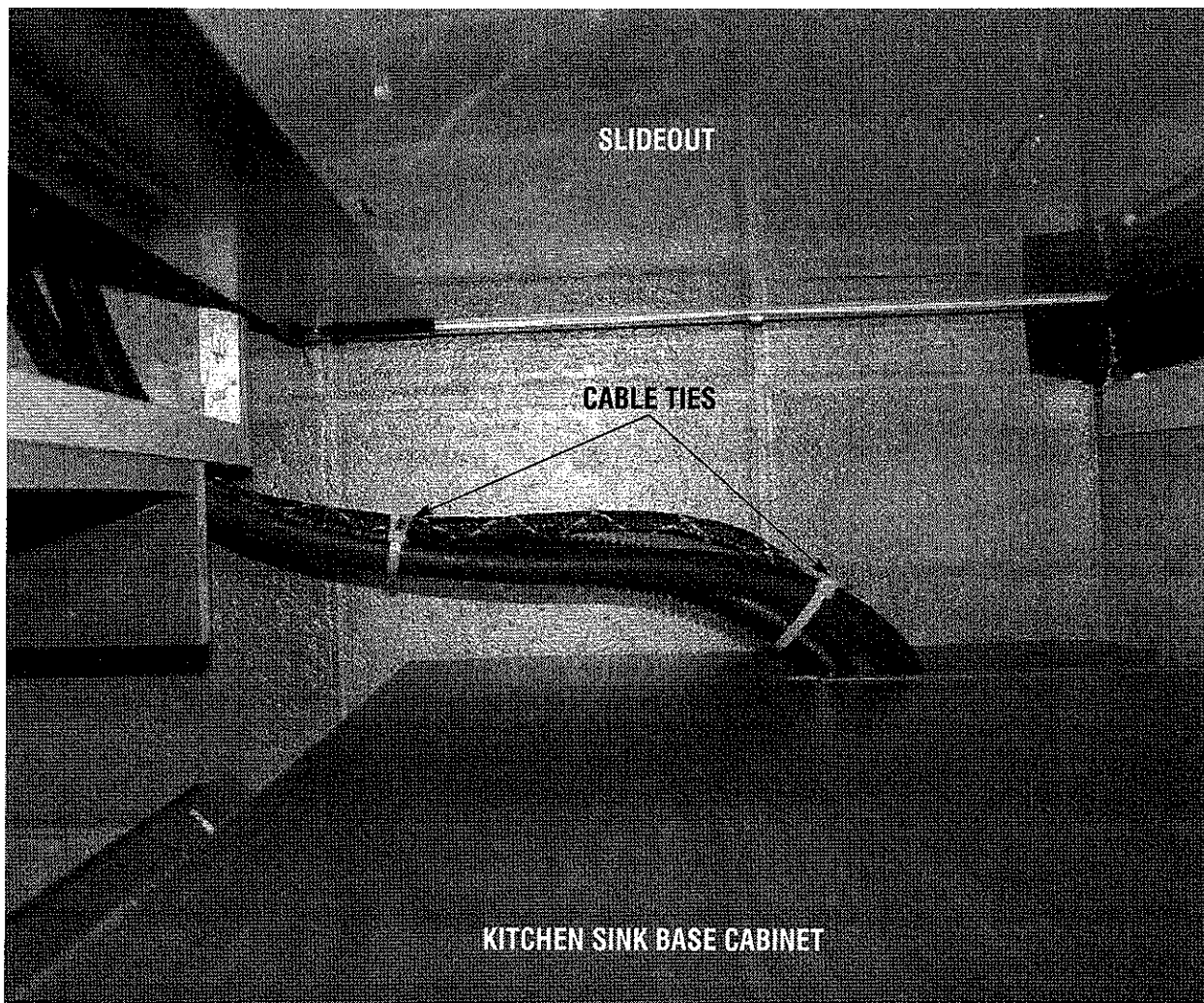
Never check for leaks with an open flame. The scent of propane gas (a garlic-like odor) is actually ethyl mercaptan, an additive that allows you to detect the presence of a leak, since propane gas is naturally odorless. Do not rely upon being able to detect the smell of the gas, as the odor may fade.

1. Make sure all pilot lights are extinguished. Shut off gas to all appliances by first turning off each appliance, then close the propane gas main shut-off valve.
2. Extinguish open flames and smoking materials.
3. Open all windows and vents and allow the motorhome to ventilate for approximately 10 minutes prior to performing this remedy.
4. Using the hydraulic leveling system, level the motorhome.
5. Remove the bottom drawer from the galley slideout base cabinet.
6. Locate the propane gas line, and two wire harnesses which travel between the galley slideout room and kitchen sink base cabinet.
7. Carefully remove any excess slack which may have developed - pull the propane gas supply line, and two wire harnesses into the galley slideout base cabinet.
8. Between the galley slideout room and kitchen base cabinet, using two of the provided cable ties, secure the propane gas supply line to the two wire harnesses (***Refer to Figure 1***).
9. Secure the last cable tie to the propane gas supply line and two wire harnesses under the galley slideout room, by accessing the lines through the base cabinet drawer opening. Using a 1" washer head wood screw, anchor the cable tie thru the eyelet to the kitchen floor (***Refer to Figure 2***).
9. Extend and retract the slideout room to ensure that the propane gas supply line is not binding.
10. Replace the galley slideout base cabinet drawer.
11. Perform a Propane Gas Leak Test on the Propane System.

Four Winds INTERNATIONAL

701 C.R. 15, P.O. Box 1486 • Elkhart, IN 46515-1486 • Phone (574) 266-1111 • Fax (574) 293-5256

Figure 1: Securing the Propane Gas Supply Line to the Wire Harnesses



Four Winds INTERNATIONAL

701 C.R. 15, P.O. Box 1486 • Elkhart, IN 46515-1486 • Phone (574) 266-1111 • Fax (574) 293-5256

Figure 2: Anchoring the Cable Tie to the Sub Floor

