



RECALL CAMPAIGN

NHTSA #O7V-118/ T.C. #07-086

Job Code #9901073

Requires parts to be ordered from Jayco for every unit.

Subject:	Big Easy™ Triple step lower step support
Units Affected: (continued on next page)	<p>2007 Travel Trailer and Fifth Wheels</p> <ul style="list-style-type: none">• Jay Flight Bungalow<ul style="list-style-type: none">- 711A0085-85, 87, 90-92, 96, 101, 110, 112- 711B0056-58, 63, 68-69, 71-72• Recon<ul style="list-style-type: none">- 71AU0131-137, 140-148• Eagle Travel Trailer<ul style="list-style-type: none">- 71CA0273-279, 281-285, 287-293, 295-296- 71CR0345-353, 355-368- 71CU0537-540, 542-543, 545, 547, 549-555, 557-566• Jay Flight Travel Trailer<ul style="list-style-type: none">- 71EA0381-385, 387-388, 391-413, 415-416- 71EB0202, 205-216, 220, 222-223, 225-227, 229-231, 234-236- 71EJ0993, 995-1001, 1003-1006, 1008-1009, 1011, 1015-1017, 1022, 1024, 1029, 1031, 1033, 1042, 1044, 1047, 1050-1053, 1055, 1058, 1062, 1065, 1071-1072, 1079, 1081, 1104- 71EM0688-689, 691-692, 694-696, 698-699, 701, 703, 705, 709, 711-713, 712, 716, 718-719, 722-725- 71EW0689-690, 695, 697, 701, 707, 708• Eagle Fifth Wheel<ul style="list-style-type: none">- 71L80396, 398, 400, 403-404, 407, 414- 71LJ0099, 102-103, 110-111, 115-118, 124-126, 128- 71LK0303-310, 313-316, 319-320, 326, 329, 331-333, 335, 338, 341-342, 345, 347-348- 71LR0172-174, 194-195 <p>71LT0425-426, 429, 442, 444, 447-448, 450-457, 459-460, 463-464, 467-468, 471-474, 476</p>

Units Affected: (continued from previous page)	<ul style="list-style-type: none"> • Jay Flight Fifth Wheel <ul style="list-style-type: none"> - 71PB0429-430, 432, 434, 437, 440, 443, 445, 447-450, 453, 455, 457, 462 - 71PG0347, 349-355, 357-368, 370-371 • Designer Fifth Wheel <ul style="list-style-type: none"> - 71SH0157-163 - 71SK0332-338, 340-345, 347-352 - 71SS0273, 277-283, 286-289, 291-293, 299
Action Required:	Weld metal stock to each side of the step contact edge.
Job Operation Code:	9901073
Series Code:	RC005 Inspect Only RC013 Inspect and Repair
Flat Rate Time:	RC005 0.1 hrs per step RC013 0.5 hrs per step
Kit Part Number:	0700067
Kit Contains:	1 - Metal Stock 1 - Instruction Sheet
Tools Required:	welder, wire wheel or small grinder, clamps
Additional Requirements:	Gloss black spray paint



Hickory Springs Mfg. Co.

Repair instructions for Hickory Springs Big Easy™ Triple Steps

- 1) Inspect the step for the manufacturing date sticker which is located on the inside surface of the step frame end plate. The sticker can be on either the left or right inside plate. (Fig. 1)
- 2) If the date sticker is missing, or states the dates between February 6, 2007 and February 23, 2007, the repair is needed. Follow the instructions below. If the step manufacturing date is prior to or after the dates listed, the repair is not needed. Claim your inspection time. (Fig. 1)

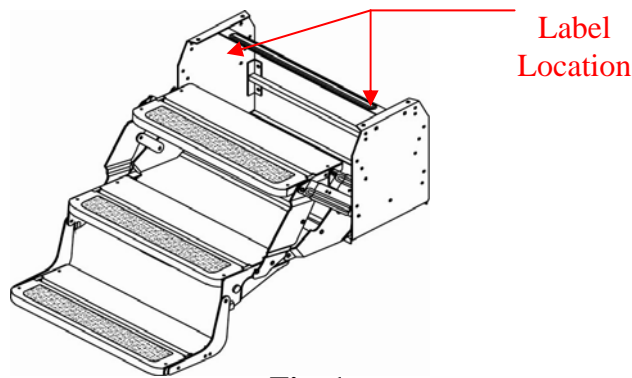


Fig. 1

- 3) Using the handle unfold the step. Do not unfold the last (Third) step.
- 4) On the second step side brackets locate the stop edges where the third step rests. (Fig.2)

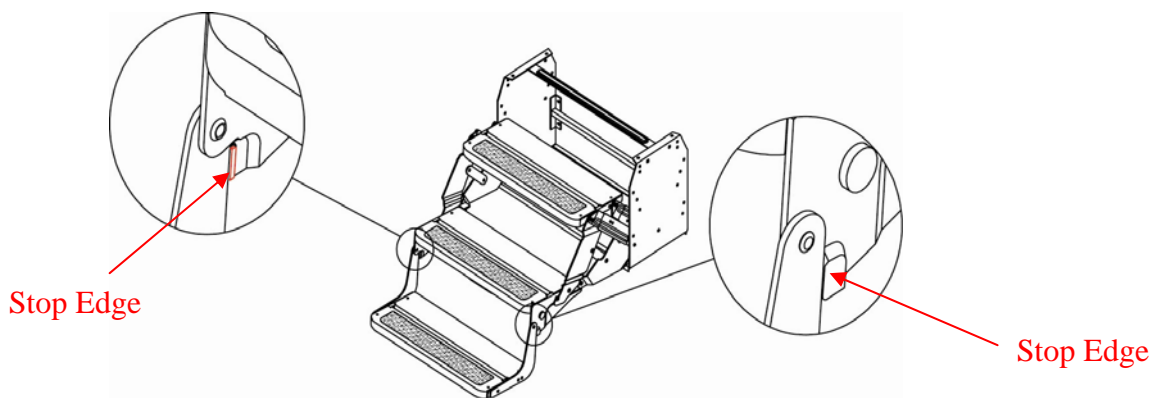


Fig. 2

- 5) With a wire wheel or small grinder remove the paint down to the metal surface of the formed stop edge on the middle step support bracket. (Fig. 3)
- 6) Clamp the metal pieces to inner and outer surfaces of middle step support bracket being careful to align flush with the stop edge.
- 7) Weld around the three sides of each metal stock (Fig. 3)
- 8) Clean welds with a wire brush and apply black spray paint to exposed metal surfaces.

WARNING: BE CAREFUL NOT TO ALLOW WELD ON THE FRONT OF THE STOP EDGE.

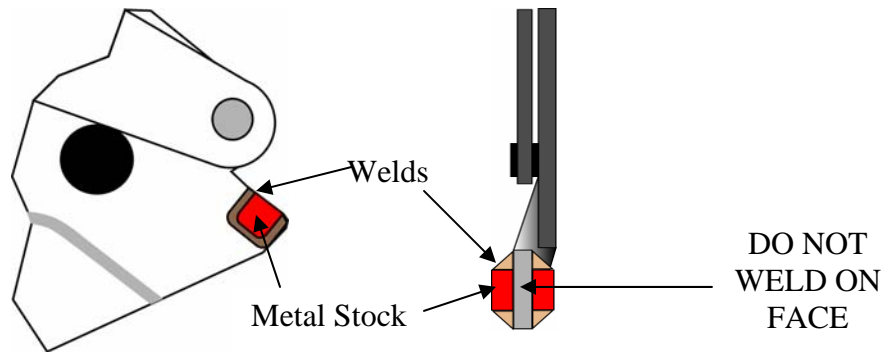


Fig. 3

**Jayco Service / Parts
Recall Order Form
Fax (800) 825-8409**



**Big Easy™
Triple Step Reinforcement
Job Code #9901073
Recalls NHTSA #O7V-118
T.C. #07-086**

Dealer Name: _____	Recall Account: 2292000	Date: _____
Dealer Account Number: _____	Phone: _____	Fax: _____
Ship To: _____	P.O. #: _____	
	Date Shipped _____	
Attn: _____	Ship Via _____	

9901073_TripleStepReinforcementOrderForm.cdr

**Each unit's serial number MUST be recorded
when ordering this recall kit.**

Quantity Ordered	Quantity Shipped	Serial Number of Unit (Last 8 Digits)	Part Number	U/M	Unit Price
		<input type="text"/>	0700067	EA	N/C
		<input type="text"/>	0700067	EA	N/C
		<input type="text"/>	0700067	EA	N/C
		<input type="text"/>	0700067	EA	N/C
		<input type="text"/>	0700067	EA	N/C
		<input type="text"/>	0700067	EA	N/C
		<input type="text"/>	0700067	EA	N/C
		<input type="text"/>	0700067	EA	N/C
		<input type="text"/>	0700067	EA	N/C

**THESE PARTS CAN ONLY BE ORDERED USING THIS FORM.
YOU CAN NOT ORDER THIS THROUGH EMPART.**