



*Driven to Explore*

Fleetwood Enterprises, Inc.  
3051 Myers Street / Riverside, CA 92503-5527  
P.O. Box 7638 / Riverside, CA 92513-7638  
p: 800.322.8216 / www.fleetwood.com

## **IMPORTANT RECALL INFORMATION #70131**

March 2007

**TO: ALL FLEETWOOD DEALER PRINCIPALS,  
SERVICE MANAGERS,  
AND PARTS MANAGERS**

**SUBJECT: RECALL CAMPAIGN #70131**  
American Eagle and American Tradition ABS Module

Fleetwood Enterprises, Inc., on behalf of its subsidiary manufacturing center located in Decatur, Indiana is requesting your assistance in conducting a voluntary recall notification campaign in accordance with the National Traffic and Motor Vehicle Safety Act.

Fleetwood Enterprises, Inc., has decided that a defect which relates to motor vehicle safety exists in certain 2007 model year American Eagle and American Tradition brand class A motor homes. We are notifying owners in order to correct the problem. A copy of the letter sent to owners is enclosed for your information.

### ***WHAT IS THE PROBLEM?***

On certain model American Eagle and American Tradition motor homes affected by this recall, the anti-lock braking system (ABS) module may not have been permanently mounted. The module may still be temporarily secured to the wiring and hoses along the inside of the chassis rail. In the event the ABS module does become detached from the vehicle there will be no adverse affects on the braking of the system. The anti-lock feature for the braking system potentially can be lost. Loss of the anti-lock feature will allow the wheels to lock up during sudden or emergency braking and cause an increase in the distance it takes to stop a vehicle.

### ***WHAT SHOULD YOU DO?***

Owners of the above mentioned motor homes have been asked to contact a Fleetwood dealer to have the described defect remedied. In the event that you are contacted by a customer, please verify eligibility by referring to the serial number range listed in the enclosed Recall Service Bulletin #70131 prior to beginning the repairs. Should a customer have you perform this service, please complete the **Fleetwood Repair Order (form X-SR-042)**.

Once repairs are completed, have the customer sign the **Fleetwood Repair Order** and return it to your National Warranty Processing Center in Decatur, Indiana for payment. You will be reimbursed in accordance with Service Bulletin #70131. Customers will not be charged for these repairs.

If you have one of these vehicles in your inventory, you will be mailed a Safety Recall Notice for that specific motor home. Fleetwood is asking our dealers to make repairs to stock units on dealer lots prior to sale or lease.

**Federal Law (Section 154 of the National Highway Traffic and Motor Vehicle Safety Act of 1966) requires that:**

***If you have received a notice of recall or failure to comply from Fleetwood or any component manufacturer, you must repair or otherwise correct the defects on vehicles remaining in your inventory according to the notification, before selling or leasing the vehicles. Any vehicle lessor receiving this recall notice must forward a copy of the notice to the lessee within ten days.***

Please review this entire package with your parts and service staff to familiarize them with the step-by-step procedure and implement the Voluntary Safety Recall Campaign.

Thank you for helping Fleetwood with its continuing efforts to maintain customer satisfaction. If you have any questions, please contact your regional Fleetwood Service Center.

Sincerely,

FLEETWOOD ENTERPRISES, INC.



Tina Inkrote  
Service Administrator  
Motor Home Division

Enclosures: Recall #70131 Customer Letter  
Recall #70131 Service Bulletin



*Driven to Explore*

Fleetwood Enterprises, Inc.  
3051 Myers Street / Riverside, CA 92503-5527  
P.O. Box 7638 / Riverside, CA 92513-7638  
p 800.322.8216 / www.fleetwood.com

## **IMPORTANT RECALL INFORMATION #70131**

March 2007

Dear Valued Fleetwood Motor Home Customer:

This notice is sent to you in accordance with the requirements of the National Traffic and Motor Vehicle Safety Act.

Fleetwood Enterprises, Inc., on behalf of its subsidiary manufacturing center located in Decatur, Indiana has decided that a defect which relates to motor vehicle safety exists in certain 2007 model year American Eagle and American Tradition brand class A motor homes.

### **WHAT IS THE PROBLEM?**

On certain models of American Eagle and American Tradition motor homes affected by this recall, the anti-lock braking system (ABS) module may not have been permanently mounted. The module may still be temporarily secured to the wiring and hoses along the inside of the chassis rail. In the event the ABS module does become detached from the vehicle there will be no adverse affects on the braking of the system. The anti-lock feature for the braking system potentially can be lost. Loss of the anti-lock feature will allow the wheels to lock up during sudden or emergency braking and cause an increase in the distance it takes to stop a vehicle.

### **WHAT SHOULD YOU DO?**

Please make certain your motor home is inspected and repaired by contacting your selling dealer, and making an appointment to have this inspection and repair performed. If they are not available, another Fleetwood motor home dealer may do this work for you

### **WHAT WILL FLEEWOOD DO?**

Fleetwood will inspect and permanently mount the ABS module to the inside of the chassis rail. The total length of time your motor home will be out of service will depend on the dealer's work schedule.

If you have had this concern corrected previously, you may be eligible for reimbursement of your cost for that repair. For more information regarding this recall #70131, contact Fleetwood Owner Relations at 800-509-3418.

When you deliver your motor home for repairs, your dealer will complete a Fleetwood Repair Order. Upon completion of the repair, please sign the Fleetwood Repair Order and fill out the enclosed, self-addressed **Vehicle Information Update Card** and return it to Fleetwood.

If you have changed your address or sold the motor home, please take a moment to provide the name and address of the person or dealership you sold it to on the enclosed **Vehicle Information Update Card** and return it to Fleetwood. This will allow us to update our records and if necessary, notify the new owner using the information you provide.

**For leased vehicles: Federal regulation requires that any vehicle lessor receiving this recall notice must forward a copy of this notice to the lessee within ten days.**

If you are unable to obtain the specified repair promptly and without charge, please contact:

**Fleetwood Owner Relations - Recall #70131**  
P.O. Box 59933  
Riverside, California 92517  
(800) 509-3418

If you believe that the dealer and Fleetwood Enterprises, Inc., have failed or have been unable to remedy the defect without charge or within a reasonable period of time, you may submit a complaint to:

Administrator  
National Highway Traffic Safety Administration  
400 Seventh Street SW  
Washington, DC 20590

Or call the toll-free Vehicle Safety Hotline at 1-888-327-4236 (TTY: 1-800-424-9153); or go to <http://www.safercar.gov>

Fleetwood Enterprises, Inc., is taking these steps in the interest of your safety. We regret any inconvenience this may cause you.

Sincerely,

FLEETWOOD ENTERPRISES, INC.



Tina Inkrote  
Service Administrator  
Motor Home Division

# Recall Bulletin 70131

**RECALL  
BULLETIN:  
70131**

**YEAR(S)  
AFFECTED:  
2007**

**PRODUCT(S)  
AFFECTED:**  
American Eagle,  
American  
Tradition, with  
Unit Serial  
Numbers Listed  
in This Bulletin

**MODEL(S)  
AFFECTED:**  
American Eagle:  
42F, 42L, 42R,  
42V, 45E, 45H  
American  
Tradition:  
42F, 42L, 42R, 42V

**SUBJECT:**  
Permanently  
mounting the  
Anti-Lock Braking  
System (ABS)  
module

**KEYWORDS:**  
Brake, braking,  
anti-lock, ABS

**ISSUE DATE:**  
March 2007

The purpose of this bulletin is to inform all Fleetwood dealers about the need to inspect, and if necessary correct, the mounting location for the Anti-lock Braking System (ABS braking) module.

**NOTE:** For the purpose of customer convenience, please coordinate the procedures in this Recall bulletin with those listed in Fleetwood Recall 70219 for models 42F, 42L, 42R, and 42V.

**CONDITION:**

The ABS braking module may not have been permanently mounted during the production process. If the ABS braking module becomes detached, the braking system will continue to operate; however, the anti-lock feature will not function.

**CORRECTION**

Follow the steps below to inspect, and if necessary re-locate, the ABS braking module to a permanent location.

1. Open the luggage compartment on the passenger side of the coach, behind the rear tires.

A. If the ABS braking module is present and is secured to the wall of the luggage compartment, no further work is required. See Figure 1.

B. If the ABS braking module is not located in the luggage compartment, follow the procedure below to re-locate the module and permanently mount it under the motor home to the chassis bridge structure.

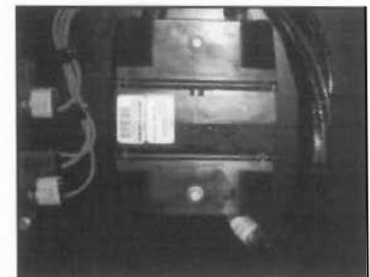


Figure 1

**⚠ WARNING**

**PERFORM THE FOLLOWING BEFORE BEGINNING ANY REPAIRS:**

- **PARK THE MOTOR HOME ON LEVEL PAVEMENT**
- **SET THE PARKING BRAKE.**
- **REMOVE THE IGNITION KEY AND ATTACH A NOTICE TO THE IGNITION SWITCH IN ORDER TO PREVENT A THIRD PARTY FROM POWERING UP THE SYSTEM.**

2. Locate the ABS braking module, attached to the wire harness and hoses inside the passenger side chassis rail between the drive and tag axles.

*This bulletin is supplied for technical information only and is not an authorization for repairs.*

Federal Law (Section 154 of the National Traffic and Motor Vehicle Safety Act of 1966) requires that: If you have received a notice of recall or failure to comply from Fleetwood or any component manufacturer, you must repair or otherwise correct the defects on vehicles remaining in your inventory, according to the notification, before selling or leasing the vehicles. Any vehicle lessor receiving this recall notice must forward a copy of the notice to the lessee within ten days.

"It is impossible to know, evaluate and advise the service trade of all conceivable ways in which service might be done or of the possible hazardous consequences of each way. Accordingly, anyone who uses a service procedure or tool must first assure that neither personal safety nor vehicle safety will be jeopardized by the selected service methods."



## CAUTION

**USE CARE TO AVOID CUTTING WIRING AND/OR HOSES NEAR THE ABS BRAKING MODULE.**

3. Cut the wire ties attaching the ABS braking module to the wiring and hoses inside the chassis rail.
4. Remove the temporary tag that states: "THIS ITEM IS TEMPORARILY MOUNTED AND IS TO BE PERMANENTLY MOUNTED BY BODY MANUFACTURER."
5. Loosen the two screws attaching the cover to the ABS braking module using a 10 mm socket. The ABS braking module attachment holes will be visible. See Figure 2.

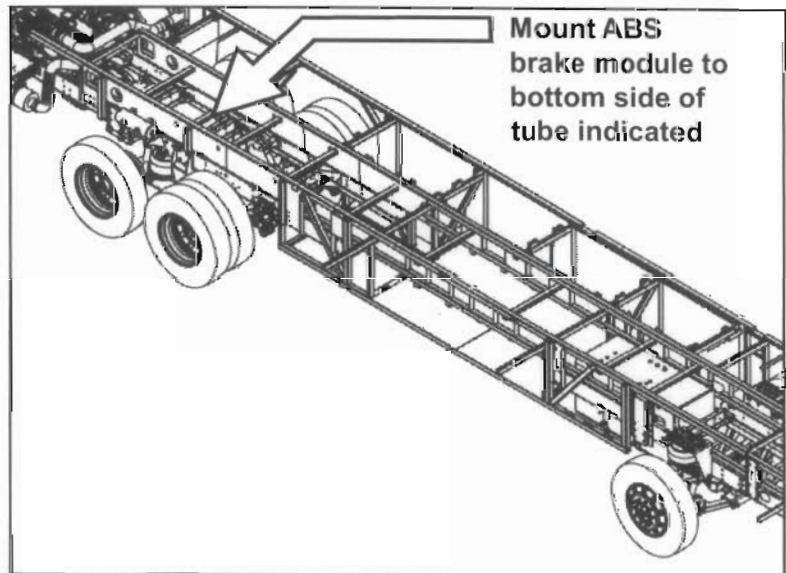


**Figure 2**

**NOTE:** The cover screws will loosen but will remain attached to the cover.

6. Attach the ABS braking module to the chassis bridge structure with (two) #12-14 X 2" tek screws. See Figure 3.
7. Tighten the screws on the ABS braking module cover.
8. Use heavy duty wire ties to secure all wires, including ABS braking module wires that are above the drive shaft. Trim off excess wire tie length as necessary.

**NOTE:** Re-secure wires a second time as necessary.



**Figure 3**

### TOOLS:

Flash light  
 10 mm socket with ratchet handle  
 Power driver with bits  
 Diagonal cutters

### PARTS:

<u>Description</u>	<u>Qty.</u>	
Tek Screw #12-14 X 2" HWH PLTD	As Required	(Obtain Locally)
Wire Tie, Heavy Duty, 21" long	4	(Obtain Locally)

Place parts orders and process warranty repair orders by using the Fleetwood Dealer Network eFDN: <http://fwc.fleetwood.com>  
 or call the Parts Department at: (800) 591-0628

*This bulletin is supplied for technical information only and is not an authorization for repairs.*

Federal Law (Section 54 of the National Traffic and Motor Vehicle Safety Act of 1986) requires that if you have received a notice of recall or failure to comply from Fleetwood or any component manufacturer, you must repair or otherwise correct the defects on vehicles remaining in your inventory, according to the notification, before selling or leasing the vehicles. Any vehicle lessor receiving this recall notice must forward a copy of the notice to the lessee within ten days.

It is impossible to know, evaluate and advise the service trade of all conceivable ways in which service might be done or of the possible hazardous consequences of each way. Accordingly, anyone who uses a service procedure or tool must first assure that neither personal safety nor vehicle safety will be jeopardized by the selected service methods.

**Warranty Labor Allowance:**

Use Flat Rate Codes:

ABS Braking Module Mounting

9184 - 11	0.1	hr. Inspected/Not Defective
9184 - 12	1.0	hr. Inspected/Defective/Repaired
9184 - 13	0.1	hr. Inspected/Defective/Owner Decline
9184 - 14	0.1	hr. Inspected/Defective/Missing Parts
9184 - 15	0.1	hr. Inspected/Defective/Need Tools
9184 - 16	0.1	hr. Unable to Notify Customer
9184 - 17	0.1	hr. Customer Unreachable

If you have any questions concerning this bulletin, contact American Coach Dealer Technical Support Group at:

1-800-417-6413

Fleetwood Service Literature is available at: <http://www.fleetwoodrvdealers.com>

*This bulletin is supplied for technical information only and is not an authorization for repairs.*

Federal Law (Section 154 of the National Traffic and Motor Vehicle Safety Act of 1966) requires that: If you have received a notice of recall or failure to comply from Fleetwood or any component manufacturer, you must repair or otherwise correct the defects on vehicles remaining in your inventory, according to the notification, before selling or leasing the vehicles. Any vehicle lessor receiving this recall notice must forward a copy of the notice to the lessee within ten days.

"It is impossible to know, evaluate and advise the service trade of all conceivable ways in which service might be done or of the possible hazardous consequences of each way. Accordingly, anyone who uses a service procedure or tool must first assure that neither personal safety nor vehicle safety will be jeopardized by the selected service methods."

# RECALL 70131 - AFFECTED MOTOR HOMES

## 2007 American Eagle

719L74497248
719V74497376
719H74497445
719L74497507
719L74497508
719R74497512
719F74497515
719V74497564
719V74497565
719H74497580
719H74497581
719F74497584
719F74497587
719R74497709
719H74497712
719F74497775
719F74497776
719E74497779
719R74497780
719R74497781

719R74497782
719H74497786
719F74497843
719F74497844
719R74497850
719H74497861
719R74497862
719F74497900
719L74497901
719V74497908
719H74497975
719F74498093
719L74498142
719V74498152
719H74498155
719F74498189
719F74498191
719R74498197
719V74498201
719V74498202

719V74498204
719F74498243
719R74498244
719L74498306
719V74498307
719H74498310
719R74498313
719R74498372
719H74498376
719E74498382
719H74498389
719E74498483
719E74498491
719F74498545
719R74498547
719H74498548
719L74498553
719F74498604
719F74498608
719R74498616

719R74498672
719H74498748
719F74498751
719F74498843
719F74498846
719E74498903
719H74498905
719F74498911
719F74498916
719E74498919
719F74498970
719F74498974
719F74498982
719F74499012
719F74499014

## 2007 American Tradition

780R74497251
780R74497504
780L74497516
780V74497568
780R74497704
780R74497705
780F74497708
780R74497714
780R74497715
780F74497772
780F74497773
780F74497774
780R74497783
780R74497784
780R74497785
780V74497789

780V74497790
780L74497848
780L74497849
780R74497853
780R74497854
780V74497858
780R74497864
780R74497865
780R74497867
780V74497868
780V74497903
780V74497904
780R74497907
780V74498081
780F74498082
780L74498148

780R74498149
780V74498151
780F74498193
780F74498195
780L74498198
780F74498247
780V74498248
780L74498312
780R74498316
780R74498317
780V74498320
780V74498379
780V74498380
780F74498383
780F74498386
780F74498743

780V74498744
780F74498746
780R74498750
780F74498839
780F74498848
780F74498906
780F74498909
780R74498910
780F74499015
780F74499021

*This bulletin is supplied for technical information only and is not an authorization for repairs.*

Federal Law (Section 154 of the National Traffic and Motor Vehicle Safety Act of 1966) requires that: If you have received a notice of recall or failure to comply from Fleetwood or any component manufacturer, you must repair or otherwise correct the defects on vehicles remaining in your inventory, according to the notification, before selling or leasing the vehicles. Any vehicle lessor receiving this recall notice must forward a copy of the notice to the lessee within ten days.

"It is impossible to know, evaluate and advise the service trade of all conceivable ways in which service might be done or of the possible hazardous consequences of each way. Accordingly, anyone who uses a service procedure or tool must first assure that neither personal safety nor vehicle safety will be jeopardized by the selected service methods."