

December 20, 2007

REGARDING: SAFETY RECALL

To: «Name»
«Address1»
«Address2»

Dear Cornhusker Trailer Customer,

This notice is sent to you in accordance with the requirements of the National Highway Traffic and Motor Vehicle Safety Act.

Truck Equipment Service Co. , manufacturer of Cornhusker Trailers, has decided that a defect which relates to motor vehicle safety exists in certain 'Rock Pup' trailers.

Only 'Rock Pup' trailers with a 16ft. dump box installed are affected. The 16ft. box mount causes a steel frame plate to be shortened causing a reduction in strength. A crack may develop in welds on the main frame rails. In time this crack may propagate causing the main frame to separate causing a lose of control which could result in a crash.

Cornhusker Model Affected: 800R 'Rock Pup' chassis with 16ft. dump boxes.

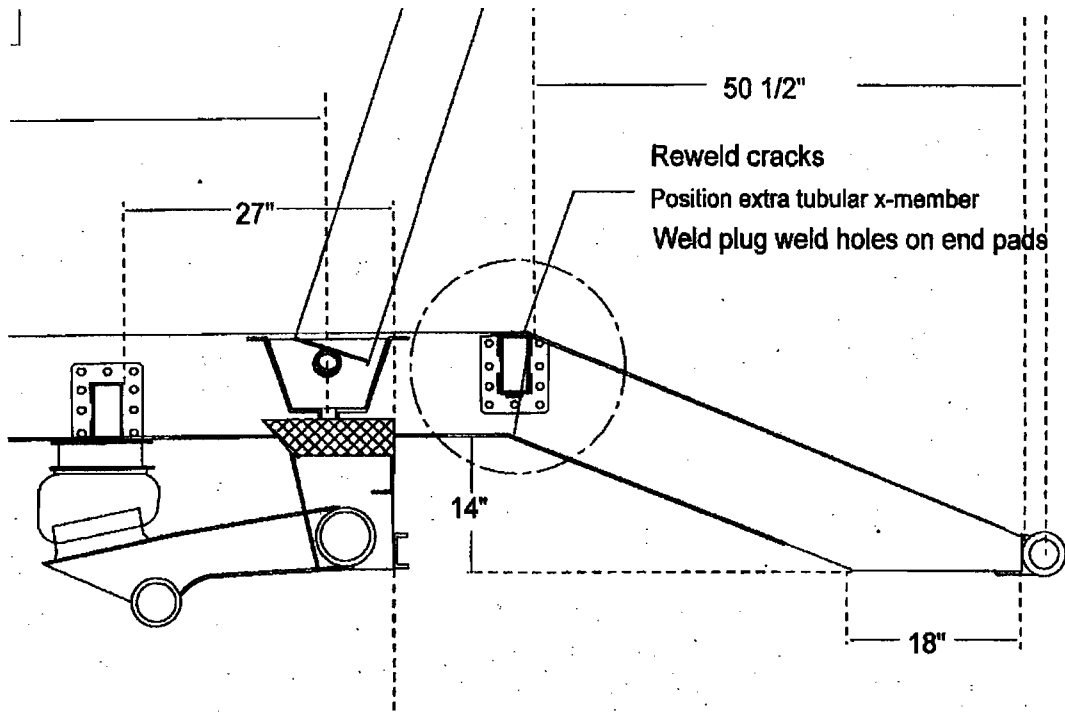
Our records indicate your trailers, «VIN» are affected.

Visually Inspect Trailers: Inspect the welds where the sloped frame 'nose' welds to the horizontal main frame rails. These are made from 10" x 4" steel tubing. The crack will most likely be found on the inboard side of the frame rail.

If cracks are found call Karl Sorensen at 800-869-0363 ext. 5

Install Frame Update: A frame update kit will be sent to you if you cannot arrange for repairs at our plant in Lincoln, NE. After the cracks are gouged out and rewelded, an extra 3" x 6" tubular steel cross member with plug welded end pads will be installed centered on the area in question.

If you had this repair performed before you received this letter, you may be eligible to receive reimbursement for the cost of obtaining a pre-notification remedy of the problem associated with this recall. For more information contact Karl Sorensen at Truck Equipment Service Co.



If after contact you are not satisfied that the safety defect has been remedied within a reasonable amount of time at no cost to you, you may contact the National Highway Traffic Safety Administration at the following address or call the Auto Safety Hotline toll free number.

Administrator
 National Highway Traffic Safety Administration
 1200 New Jersey Avenue S.E.
 Washington, DC 20590
 Or call the toll-free Vehicle Safety Hotline at 1-888-327-4236
 (TTY:1-800-424-9153) or go to <http://www.safercar.gov>

We are sorry to cause you this inconvenience; however we have taken this action in the interest of your safety and continued satisfaction with our products.

Sincerely,

Karl Sorensen
 Mfg. Superintendent
 Truck Equipment Service Co.
 800 Oak St.
 Lincoln, NE 68521

karl@cornhusker800.com