



cab modifications  
drivetrain modifications  
chassis modifications  
equipment options  
specialized services

Date:

Name:

Address:

Ref.: Notice of Defect

Dear Classic Traveler Owner:

This notice is sent to you in accordance with the requirements of the National Traffic and Motor Vehicle Safety Act.

Fontaine Modification Co. has decided that a defect which relates to motor vehicle safety exists in certain Ford F450 and F550 Classic Travelers, model years 1999 through 2003, equipped with a Reyco Model 345P Drive Axle Air-Ride Suspension System. The Bracket supporting the horizontal Track Rod at the frame attachment can become loose and eventually crack and break. This condition occurs because the bolted joint between the bracket and frame (2 bolts and nut zerts) become loose causing undue stress on the other bracket attachment. The bracket could break causing the track rod to be ineffective in maintaining lateral control between the axle and frame. The handling of the vehicle could be affected increasing the risk of a crash.

#### What We Will Do

The remedy will involve inspection of the subject bracket and nut/bolt hardware. If the bolts are loose or the bracket has cracked, the bolts, nuts and brackets will be replaced. If the bolts are in place and are tight, they will be removed and replaced with new bolts and locktite. This inspection and/or repair will be done at no charge to you.

#### What You Should Do

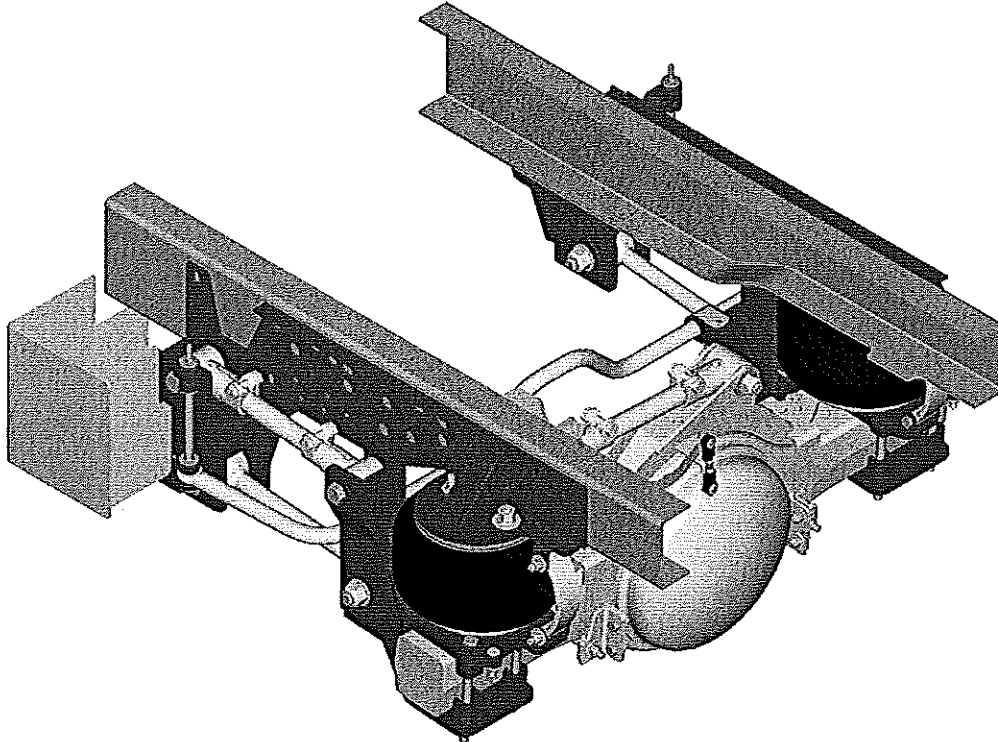
You should identify whether your vehicle is affected by this recall by identifying the suspension installed on your vehicle. Some Classic Travelers built during these model years were built with other suspensions not affected by this recall.

Below is a model indicating the affected Reyco 345P Drive Axle Air-Ride Suspension:

9827 Mt. Holly Road • Charlotte, NC 28214  
Ph: 704.391.1355 • Fx: 704.391.1671 • Toll Free: 800.989.2113 • Web: [www.fontainemod.com](http://www.fontainemod.com)



cab modifications  
drivetrain modifications  
chassis modifications  
equipment options  
specialized services



### REYCO 345P Air Suspension

If you have identified that your vehicle is equipped with the Reyco 345P Drive Axle Air-Ride Suspension, you should contact Fontaine Modification Company directly to arrange for inspection and/or repair of your vehicle.

9827 Mt. Holly Road • Charlotte, NC 28214  
Ph: 704.391.1355 • Fx: 704.391.1671 • Toll Free: 800.989.2113 • Web: [www.fontainemod.com](http://www.fontainemod.com)

 A Marmon Highway Technologies™ Company



cab modifications  
drivetrain modifications  
chassis modifications  
equipment options  
specialized services

Please contact:

Kelly Lowell  
Fontaine Modification Company  
5325 Prosperity Dr.  
Springfield, OH 45502  
(800) 544-8175  
(937) 399-3319  
Fax: (937) 399-2351

If you are unable to have this safety defect remedied without charge and within a reasonable period of time, you may submit a complaint to the Administrator, National Highway Traffic Safety Administration, 1200 New Jersey Avenue, SE., Washington, DC 20590; or call the toll-free Vehicle Safety Hotline at 1-888-327-4236 (TTY: 1-800-424-9153); or go to <http://www.safercar.gov>

Thank you for your attention to this important matter.

Regards:

Jeff Terry  
VP Product Planning & Reliability  
Fontaine Modification Co.

9827 Mt. Holly Road • Charlotte, NC 28214  
Ph: 704.391.1355 • Fx: 704.391.1671 • Toll Free: 800.989.2113 • Web: [www.fontainemod.com](http://www.fontainemod.com)

 A Marmon Highway Technologies™ Company