



May 3, 2007

Dear Owner:

This notice is sent to you in accordance with the requirements of the National Traffic and Motor Vehicle Safety Act.

Atwood Mobile Products, through its continuous quality monitoring has identified certain Sealed Burner Ranges and Slide-In Cook tops with the potential for non-complying burner tubes. On certain appliances manufactured from December 3, 2006 through April 6, 2007 with model numbers beginning with R-A33 or C-A33, a potential exists that the burner tubes will, under certain operating conditions, cause excessive levels of carbon monoxide. If those operating conditions exist on your unit you may encounter soot on the bottom of your cookware and the carbon monoxide detector may be triggered.

Our records, as provided by the recreational vehicle manufacturer, indicate that you have purchased a recreational vehicle that may possibly have one of the affected cooking appliances. The enclosed Repair Instruction describes the method and procedure to be used by a qualified RV technician to remove and replace the burner tubes on your Atwood Sealed Burner cooking appliance. Please do not operate your Atwood Sealed Burner appliance until you do the following things:

1. Study the Inspection and Replacement Instructions.
2. Determine if your vehicle has an Atwood Sealed Burner range or slide-in cook top.
 - a. If it does and the manufacture date and model number fall into the scope of this letter and there is **no** green dot label affixed to the burner box near the manufacture date proceed to step 3.
 - b. If it does and the manufacture date and model number fall into the scope of this letter and there **is** a green dot label affixed to the burner box near the manufacture date you need not proceed any further. Complete the "Verification of Burner Tubes Repair" form and send it to Atwood.
 - c. If it does and the manufacture date **does not** fall into the scope of this letter you need not proceed any further. Complete the "Verification of Burner Tubes Repair" form and send it to Atwood.
3. Have new burner tubes installed by a qualified RV technician as described in the Inspection and Replacement Procedure Instructions. **DO NOT ATTEMPT REPAIR YOURSELF.**

To facilitate the repair, please contact Atwood at 1-800-348-7418, press "0" or hold on the line for the operator and ask for Bernie Tube. The repair will be done at no charge to you. If you need repair reimbursement, please package the work order, the completed Verification of Burner Tubes Repair form, and the recalled parts in the same carton as the new parts were received in. The return goods number (RGN) shipping label must be adhered to the outside of the carton. The work order must contain the information outlined in the repair instructions. Return the package, ground UPS freight prepaid to: Atwood Mobile Products, 1120 N. Main Street, Elkhart, IN 46514. Freight charges will be added to the claim total. Reimbursement to the owner will be made by check. The time reasonably necessary to perform the labor to correct the defect is _ hour.

Atwood regrets any inconvenience the repair may cause you, but is taking this action in the interest of your safety. If you feel that Atwood has failed or is unable to remedy this noncompliance without charge and within a reasonable time, you can submit a complaint to the Administrator, National Highway Traffic Safety Administration, 400 Seventh Street, SW, Washington, D.C. 20590 or call the toll free Auto Safety Hotline 1-800-424-9393. This letter is not an admission of legal liability.

Sincerely,

ATWOOD MOBILE PRODUCTS

Enclosures

Atwood Center • 1120 N. Main Street, Elkhart, IN 46514

Engineering	Phone: (574) 264-2131	• FAX (574) 206-9683
Truck & Bus Group	Phone: (574) 264-2131	• FAX (574) 266-5418
RV Sales	Phone: (574) 262-2655	• FAX (574) 262-2550



A Division of Dura Automotive Systems
 1120 North Main Street • Elkhart, IN 46514
 PHONE: 574•264•2131 FAX: 574•262•2550
 INTERNET: http://www.atwoodmobile.com

LITERATURE NUMBER **MPD 50108**
INFORMATION NOTICE
REPLACEMENT OF BURNER TUBES
ATWOOD SEALED BURNER COOKING APPLIANCES

5/1/07

**INSPECTION AND REPLACEMENT INSTRUCTIONS
 FOR BURNER TUBES**

This recall program applies to Atwood Sealed Burner Cooking Appliances manufactured between December 3, 2006 and April 6, 2007 with a model number beginning with 'R-A33' or 'C-A33'.

Verify the manufacture date of the range or slide-in cooktop by looking down through the slotted vents on the back of the range top. **DO NOT REMOVE THE RANGE TOP TO READ THE MANUFACTURE DATE.** If there is a green dot label affixed to the burner box near the manufacture date, the burner tubes on this unit have already been replaced. Fill out and return the repair verification form as instructed.

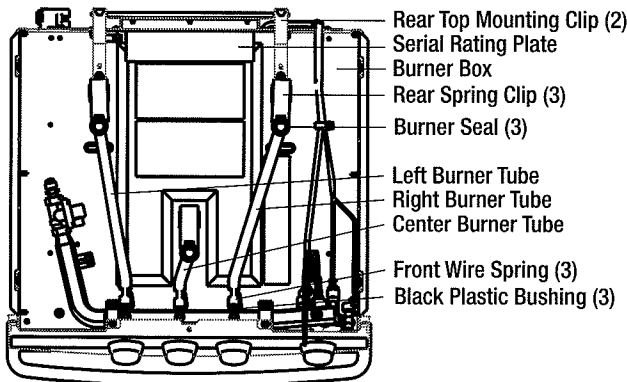
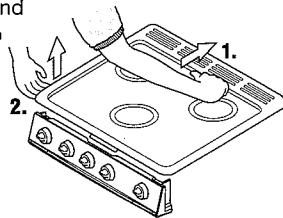
If there is no green dot label, and your manufacture date and model falls within the scope of this notice, have a qualified technician perform the following instructions:



CAUTION
ONLY A QUALIFIED TECHNICIAN
MUST REPLACE BURNER TUBES

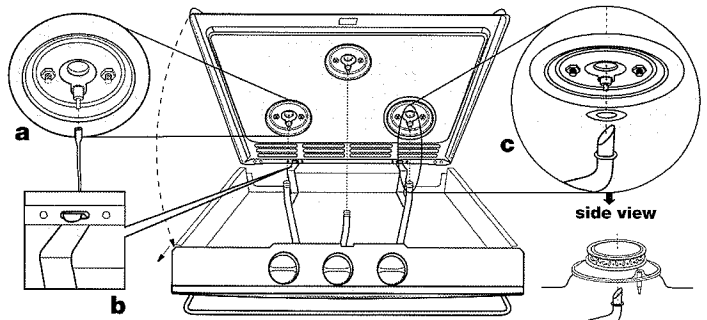
REMOVE TOP:

1. Remove top by pushing with thumb and palm on back ridge of top to slide top back.
2. With top still slid back, lift up on front corner to reveal burner box and burner tubes. Disconnect spark wires from burners if necessary.



INSTALL NEW BURNER TUBES:

1. Install front of left burner tube over black plastic bushing on burner valve orifice. Pull tube towards you until spring clip snaps into square opening in burner tube.
2. Slide burner tube back and forth to verify the front wire spring clip retains burner tube on burner valve.
3. Push rear spring clip back and pivot flanged collar on left burner tube into slot in rear spring clip.
4. Repeat steps 1 - 3 for center and right burner tube installation.
5. Install three new burner seals, one per burner.



REMOVE BURNER TUBES:

1. Remove and discard the three burner seals.
2. Disconnect left rear burner tube by pushing the rear spring clip back and pivot burner tube flanged collar away from rear spring clip.
3. Disconnect front of left burner tube by pulling wire clip away from burner tube and slide burner tube off of burner valve orifice.
4. Retain rear spring clip, front wire clip, and black plastic bushing on burner valve orifice all in original positions.
5. Repeat steps 2 - 4 to remove right and center burner tubes.
6. **DO NOT DISCARD OLD BURNER TUBES,** they must be returned to Atwood. Follow the procedure in your letter.

REINSTALL RANGE TOP:

1. Place the top on the range with the tabs on the spring clips in the slots on the top (b).
2. Attach spark wires to burners (a), routing the wires away from the center of the burners.
3. Burner tube gaskets must be in place (c).
4. Rotate the top downward to insure all three-burner tubes fit up into the burner caps (c). Using a side-to-side motion when rotating the top down may make this easier.
5. Once the tubes are up into the burner cap, push backwards on the top until the bracket(s) on the front of the top fits into the control panel.
6. Check each burner for proper lighting to ensure that the burner tube has been inserted into the burner head.

VERIFICATION OF BURNER REPLACEMENT REPAIR

Please complete the information below and return this form to Atwood Mobile Products.

Your name (print) _____

Your address _____

City _____ State _____ Zip Code _____

1. Is your recreational vehicle equipped with an Atwood Sealed Burner appliance? If no, please check "NO" and you need not proceed further. Mail this form back to Atwood.

YES ____ NO ____

2. Is your Atwood Sealed Burner appliance in the manufacture date code sequence? If no, please check "NO" and you need not proceed further. Mail this form back to Atwood.

YES ____ NO ____

If yes, date repair was made _____

3. Dealer who made repair _____

Dealer's address _____

City _____ State _____ Zip Code _____

4. Manufacturer of recreational vehicle _____

5. Cooking appliance: Model # _____ Serial # _____

6. Have you completed the installation of the burner replacements? YES ____ NO ____

If no, please complete # 7 below.

7. Is the recreational vehicle in storage? YES ____ NO ____

Will the burner tubes be replaced at a later date? YES ____ NO ____

Do you want Atwood to notify you at a later date? YES ____ NO ____

Note: If the repair is not made because the vehicle is in storage or not accessible, you are required to return this notification.

If the repair cannot be made or if problems are encountered during repair, please contact Bernie Tube, in the Atwood Consumer Service Department, telephone 1-800-348-7418, or write to Atwood Mobile Products, 1120 N. Main Street, Elkhart, IN 46514 attn: Bernie Tube.

Sincerely,

ATWOOD MOBILE PRODUCTS