

SAFETY RECALL NOTICE



AUTOCAR SAFETY RECALL A-0701 NHTSA RECALL 07V-184 April 2007

Dear Autocar Truck Owner:

This notice is being sent to you in accordance with the requirements of the National Traffic and Motor Vehicle Safety Act.

A defect relating to motor vehicle safety exists in certain WX, WXLL and WXR 2007 model-year; heavy-duty Class 8 vehicles shipped between October 10, 2006 and February 2, 2007 with VIN range 203646 through 205320.

**MODELS
AFFECTED** Autocar WX 2007
Autocar WXLL 2007
Autocar WXR 2007

**COMPONENTS
AFFECTED** Steering column

SAFETY DEFECT: On certain trucks, some of the fasteners that fix the brackets that support the steering column may not be secured to proper tightness. See Figure 1 on page three for a typical schematic of the fasteners involved.

POTENTIAL RISK: There is a potential that the fasteners may progressively loosen to allow excessive movement of the steering column. This can result in the loss of control of the vehicle and increase the risk of a crash.

**PRECAUTIONS
YOU CAN TAKE:** If any rattling or movement of the steering column is detected when a force (such as when lifting yourself into the truck with the steering column) is applied to the steering column, do not drive the truck.

REPAIR: At no charge to you regardless of your vehicle's age or mileage, an Autocar dealer will repair your vehicle.

**TIME REQUIRED
FOR THE REPAIR:** The labor time required to repair your vehicle is about 1.2 hours per truck.

**WHAT YOU
SHOULD DO:** Immediately contact an Autocar dealer to schedule a service appointment to have your vehicle repaired. To locate the closest Autocar dealer, go to www.autocartruck.com and select Sales, Service & Parts, or call 1-877-973-3486 Ext. 2572.

SAFETY RECALL NOTICE



**PRE-
NOTIFICATION
REPAIR:**

If you have previously paid for repairs to the steering column support brackets, you may be entitled to recover of the amount you paid for those repairs. Submit a copy of all documentation supporting your claim to Autocar at the address set forth below in the "Assistance" section.

**NOTICE
REGARDING
LEASED
VEHICLES:**

If you are a Lessor (as defined below) of a vehicle that is affected by this Notice, you are obligated under federal law to provide a copy of this Notice to the lessee of such vehicle within 10 days of your receipt of this Notice. Further, you must maintain a record, which identifies the lessee(s) to whom you send a copy of this Notice, the date you send the Notice, and the VIN(s) of the vehicle(s) that you have leased to the lessee(s).

For purposes of this Notice, the term "Lessor" means a person or entity that is the owner, as reflected on the vehicle's title, of any five or more leased vehicles (as defined in 49 CFR Section 577.4), as of the date of this Notice.

**OWNER RECALL
RESPONSE
CARD:**

The enclosed "Owner Recall Response Card" identifies your vehicle. Presentation of this card to any Authorized Full-Service or Parts and Service Autocar dealer will assist in the processing of your vehicle in the shortest time possible. If you do not own, have sold or have traded the vehicle identified on the card, please let us know by completing and signing the postage-paid card and returning it to Autocar at the address below.

ASSISTANCE:

If your vehicle has not been modified within a reasonable time after delivering it to the dealer on the agreed-upon service date, please contact:

Autocar, LLC
Service & Warranty Department
P. O. Box 190
Hagerstown, IN 47346-0190

Or call our toll-free number, 1- 877-973-3486.

You may also submit a complaint to:

Administrator
National Highway Traffic Safety Administration
400 Seventh Street S. W.
Washington DC 20590

Or call the toll-free Vehicle Safety Hot Line at 888-327-4236;
(TTY: 1-800-424-9153);

Or go to <http://www.safercar.gov>.

SAFETY RECALL NOTICE

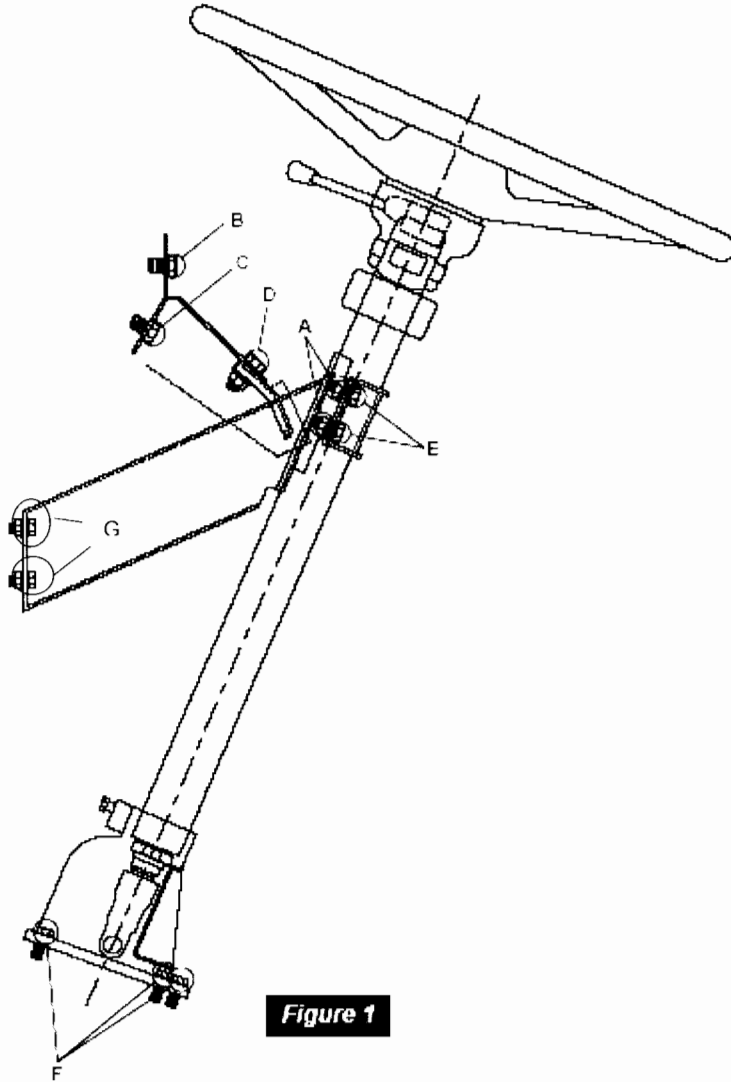


Figure 1

We regret any inconvenience this recall may cause, but hope you recognize our concern for your safety and satisfaction with your vehicle.

Sincerely,

AUTOCAR, LLC