

Safety Defect and Noncompliance Report Guide for Vehicles

PART 573 Defect and Noncompliance Report³

On 12-5, 2007, TRUCK EQUIPMENT SERVICE COMPANY [MFR] decided that (a defect which relates to motor vehicle safety)(a noncompliance with Federal Motor Vehicle Safety Standard No. _____) exists in the motor vehicles listed below, and is furnishing notification to the National Highway Traffic Safety Administration in accordance with 49 CFR Part 573 Defect and Noncompliance Reports.

Date this report was prepared: 12-6-07

Furnish the manufacturer's identification code for this recall (if applicable): EWR I.D. 000456

1. Identify the full corporate name of the fabricating manufacturer of the vehicle being recalled. If the recalled vehicle is imported, provide the name and mailing address of the designated agent as prescribed by 49 U.S.C. §30164.

TRUCK EQUIPMENT SERVICE CO.
800 OAK ST. LINCOLN, NE 68521

Identify the corporate official, by name and title, whom the agency should contact with respect to this recall.

KARL SORENSEN SUPERINTENDENT

Telephone Number: 402-476-3225 Fax No.: 402-476-3726

Name and Title of Person who prepared this report.

KARL SORENSEN
SUPERINTENDENT

Signed: [Signature]

12-6-07

³Each manufacturer must furnish a report, to the Associate Administrator for Safety Assurance, for each defect or noncompliance condition which relates to motor vehicle safety.

I. Identify the Vehicle Models Involved in the Recall

2. Identify the Vehicles Involved in the Recall, for each make and model or applicable vehicle line (provide illustrations or photographs as necessary to describe the vehicle), provide:

Make(s): CORVUSKER Model Years Involved: 97-08 Model(s): 800R w/16' BOX

Production Dates: Beginning: 3-97 Ending: 11-07

VIN Range: Beginning: 1T93C1922V0007832 Ending: 1T93C193780007502

Vehicle Type: 3AX TRAILER Bodystyle: 'Rock Pup' WITH Dump Box

Descriptive information which characterizes/distinguishes the recalled vehicles from those model vehicles not included in the recall:

ONLY ROCK PUPS WITH 16 FT. DUMP BOXS

Make(s): _____ Model Years Involved: _____ Model(s): _____

Production Dates: Beginning: _____ Ending: _____

VIN Range: Beginning: _____ Ending: _____

Vehicle Type: _____ Bodystyle: _____

Descriptive information which characterizes/distinguishes the recalled vehicles from those model vehicles not included in the recall:

Make(s): _____ Model Years Involved: _____ Model(s): _____

Production Dates: Beginning: _____ Ending: _____

VIN Range: Beginning: _____ Ending: _____

Vehicle Type: _____ Bodystyle: _____

Descriptive information which characterizes/distinguishes the recalled vehicles from those model vehicles not included in the recall:

Identify the approximate percentage of the production of all the recalled models manufactured by your company between the inclusive dates of manufacture provided above, that the recalled model population represents. For example, if the recall involved Widgets equipped with certain items of equipment from January 1, 1996 through April 1, 1997, then what was the percentage of the recalled Widgets of all Widgets manufactured during that time period. 49%

II. Identify the Recall Population

3. Furnish the total number of vehicles recalled potentially containing the defect or noncompliance.

<u>Model</u>	<u>Year</u>	<u>Number of Vehicles Potentially Involved</u>
CORNHUSKER 800R	97 84 - 2007	112

Total Number Potentially Affected by the Recall: 112

4. Furnish the approximate percentage of the total number of vehicles estimated to actually contain the defect or noncompliance: 70

Identify and describe how the recall population was determined--in particular how the recalled models were selected and the basis for the beginning and final dates of manufacture of the recalled vehicles:

MOOGL 800R HAS BEEN MADE SINCE 1981
WITH A 14 FT. BOX.

THE DEFECTS HAVE ONLY BEEN FOUND ON TRAILERS
WITH 16' BOXES

III. Describe the Defect or Noncompliance

5. Describe the defect or noncompliance. The description should address the nature and physical location of the defect or noncompliance. Illustrations should be provided as appropriate.

CRACKS DEVELOPE IN WELDS HOLDING THE 'NOSE'
OF THE FRAME TO THE MAIN CHASSIS

Describe the cause(s) of the defect or noncompliance condition.

WHEN MOUNTING A 16' BOX VS. A 14' A STEEL
FRAME PLATE COVER IS SHORTENED 2'

Describe the consequence(s) of the defect or noncompliance condition.

THE CHASSIS AND BOX CAN SEPARATE FROM
THE DRAWBAR

Identify any warning which can (a) precede or (b) occur.

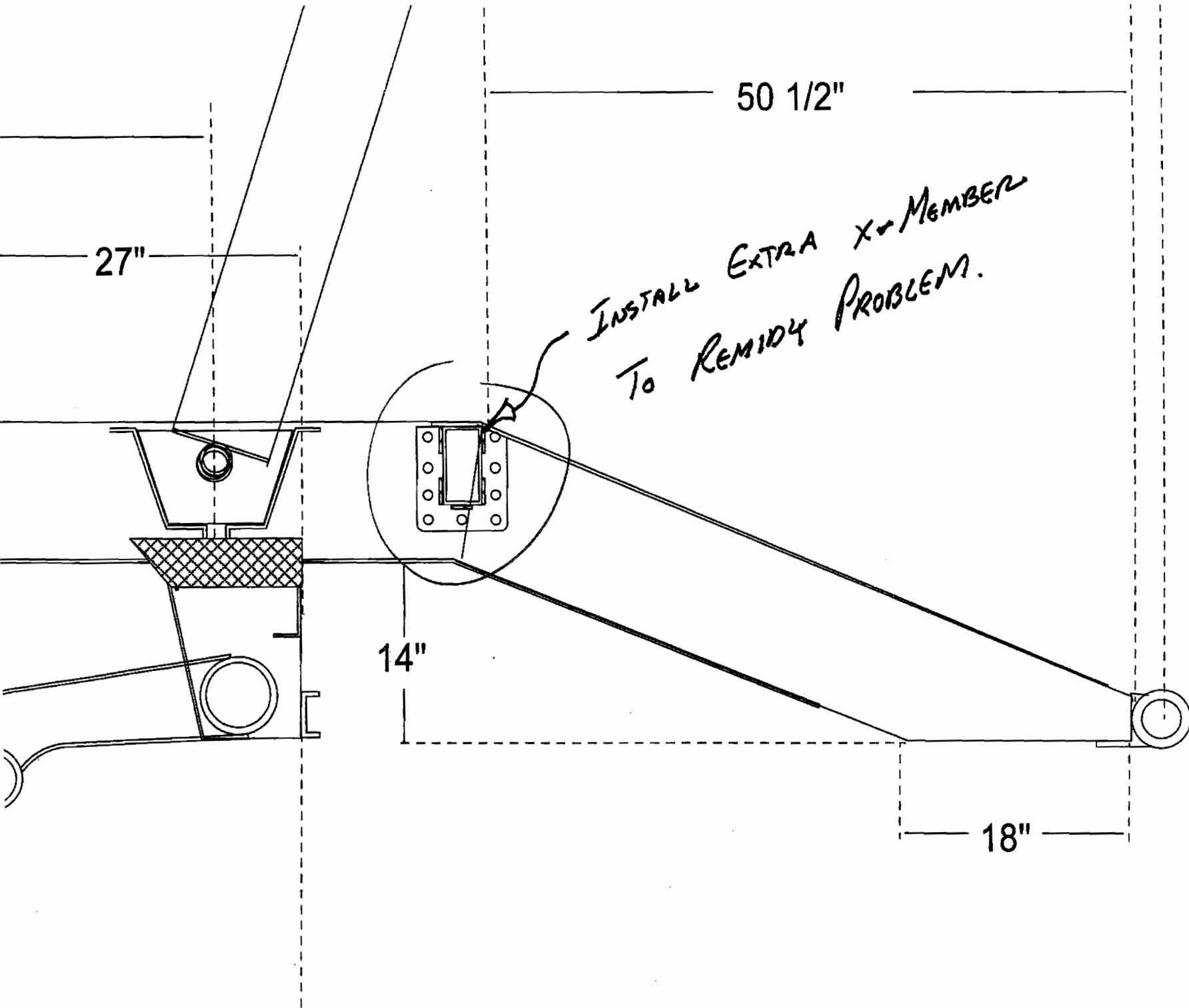
SMALL CRACKS ARE VISIBLE ON INBOARD FRAME
RAIL WELDS

If the defect or noncompliance is in a component or assembly purchased from a supplier, identify the supplier by corporate name and address.

N/A

Identify the name and title of the chief executive officer or knowledgeable representative of the supplier:

N/A



IV. Provide the Chronology in Determining the Defect/Noncompliance

If the recall is for a defect, complete item 6, otherwise item 7.

6. With respect to a defect, furnish a chronological summary (including dates) of all the principle events that were the basis for the determination of the defect. The summary should include, but not be limited to, the number of reports, accidents, injuries, fatalities, and warranty claims.

7. With respect to a noncompliance, identify and provide the test results or other data (in chronological order and including dates) on which the noncompliance was determined.

12-3-07 A 7-05 UNIT WAS BROUGHT IN WITH A BROKEN FRAME
REPAIRED UNDER WARRANTY

12-5-07 CALLS WERE MADE TO A FEW CUSTOMERS
AND INSPECTIONS FOUND (2) UNITS WITH CRACKS ON
INBOARD MAIN FRAME RAIL WELDS

V. Identify the Remedy

8. Furnish a description of the manufacturer's remedy for the defect or noncompliance. Clearly describe the differences between the recall condition and the remedy.

GRIND OUT AND REWELD CRACKS. INSTALL AN
EXTRA STEEL TUBULAR X-MEMBER WITH PLUG WELD
END PADS CENTERED ON THE MAIN FRAME RAIL
WELD

Clearly describe the distinguishing characteristics of the remedy component/assembly versus the recalled component/assembly.

THE EXTRA X-MEMBER WILL STABILIZE THE WELD
AREA & REPLACE THE STRENGTH LOST WHEN THE
STEEL FRAME PLATE IS SNIPPED 2' FOR A
16' BOX MOUNT.

Identify and describe how and when the recall condition was corrected in production. If the production remedy was identical to the recall remedy in the field, so state. If the product was discontinued, so state.

THE EXTRA TUBULAR X-MEMBER WILL BE
ADDED TO NEW PRODUCTION UNITS

VI. Identify the Recall Schedule

Furnish a schedule or agenda (with specific dates) for notification to other manufacturers, dealers/retailers, and purchasers. Please, identify any foreseeable problems with implementing the recall.

12-17-07 MAIL RECALL LETTER TO CUSTOMERS
& ALL DEALERS THAT HANDLED THE SCOR
ROCK PUP

VII. Furnish Recall Communications

9. Furnish a final copy of all notices, bulletins, and other communications that relate directly to the defect or noncompliance and which are sent to more than one manufacturer, distributor, or purchaser. This includes all communications (including both original and follow-up) concerning this recall from the time your company determines the defect or noncompliance condition on, not just the initial notification. A DRAFT copy of the notification documents should be submitted to this office by Fax (202-366-7882) for review prior to mailing.

Note that these documents are to be submitted separately from those provided in accordance with Part 573.8 requirements.