

August 2006

Dealer Service Instructions for:

# Safety Recall F39

## Airbag Inflator Connector Clips

---

06 V-295

### Models

2006 (WK) Jeep® Grand Cherokee

*NOTE: This recall applies only to the above vehicles built from May 26, 2006 through June 29, 2006 (MDH 052617 through 062922).*

*IMPORTANT: Many of the vehicles within the above build period have already been repaired and, therefore, have been excluded from this recall.*

**IMPORTANT: Some of the involved vehicles may be in dealer new vehicle inventory. Federal law requires you to complete this recall service on these vehicles before retail delivery. Dealers should also consider this requirement to apply to used vehicle inventory and should perform this recall on vehicles in for service. Involved vehicles can be determined by using the VIP inquiry process.**

### Subject

The inflator clips for the driver's airbag on about 15,000 of the above vehicles may have been incorrectly assembled. As a result, the airbag may not inflate properly, which can increase the risk of injury to the driver under certain accident conditions.

### Repair

The driver's side airbag inflator wiring connector clips must be replaced and the new clips installed in the correct position.

**Parts Information**

<u>Part Number</u>	<u>Description</u>
<b>CAB0F390</b>	<b>Clips, Airbag Inflator Connector</b>

Each package contains the following components:

<u>Quantity</u>	<u>Description</u>
1	Black Airbag Inflator Connector Clip
1	Brown Airbag Inflator Connector Clip

Each dealer to whom vehicles in the recall were assigned will receive enough Airbag Inflator Connector Clip Packages to service 100% of those vehicles.

**Special Tools**

**The following special tool is required to perform this repair:**

- 0387153-01                      Clip Insertion Tool

All dealers are being sent one (1) Clip Insertion Tool with the 1<sup>st</sup> class dealer letter mailing on August 2, 2006, free of charge.

Additional clip insertion tools may be purchased from Autoliv North America by calling 1-800-317-0615.

**NOTE: Additional clip insertion tools are not reimbursable by DaimlerChrysler.**

**Service Procedure**

1. Open the hood, then disconnect and isolate the negative battery cable.

**WARNING:** To avoid personal injury or death, after disconnecting the battery, wait two minutes for the airbag system capacitor to discharge before continuing. This is the only sure way to disable the supplemental restraint system. Failure to take proper precautions could result in accidental airbag deployment.

**NOTE:** To enhance customer satisfaction, remember to reset the clock when you have completed the service procedure.

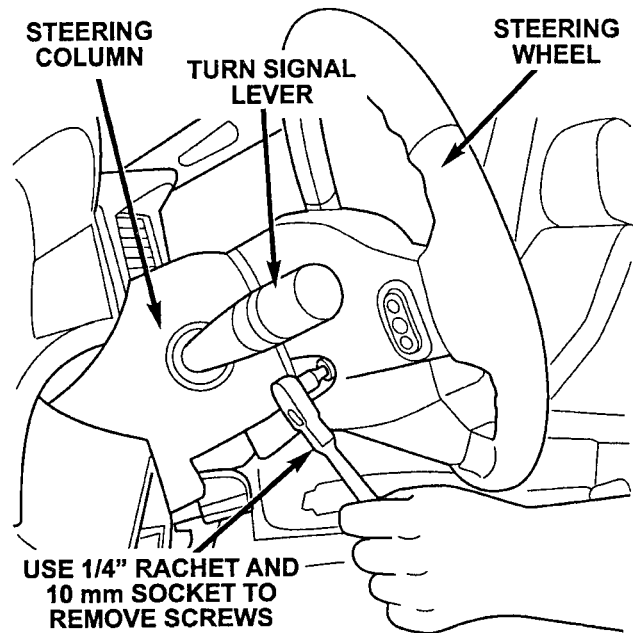


Figure 1

2. From the underside of the steering wheel, remove the two screws that secure the driver’s side airbag to the steering wheel (Figure 1).

3. Pull the airbag away from the steering wheel far enough to access the wiring harness connectors located on the back side of the airbag.

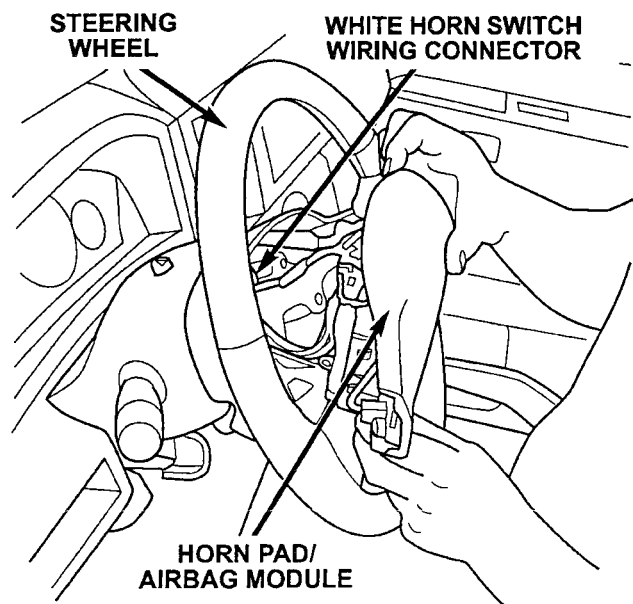


Figure 2

4. Disconnect the white horn switch wire connector from the clock spring (Figure 2).

**Service Procedure (Continued)**

5. While compressing the connector release tabs, pull each of the wiring harness connectors from the airbag inflator connector (Figure 3).

**CAUTION:** Do not pull on the clock spring wire to disengage the connector from the airbag inflator connector.

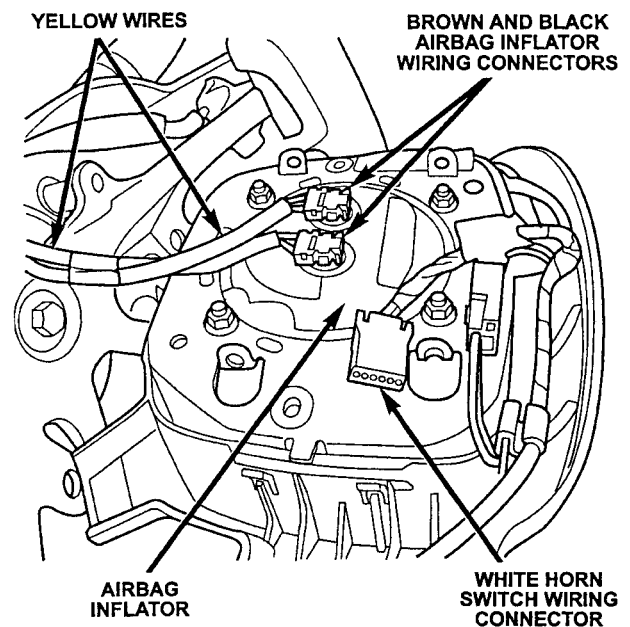


Figure 3

6. Remove the airbag from the steering wheel.

7. Using a small pick tool, remove and discard the black and the brown plastic connector clips from the airbag inflator wiring connectors (Figure 4).

**CAUTION:** Use extreme care not to bend or damage the inflator connector pins when removing the inflator connector clips.

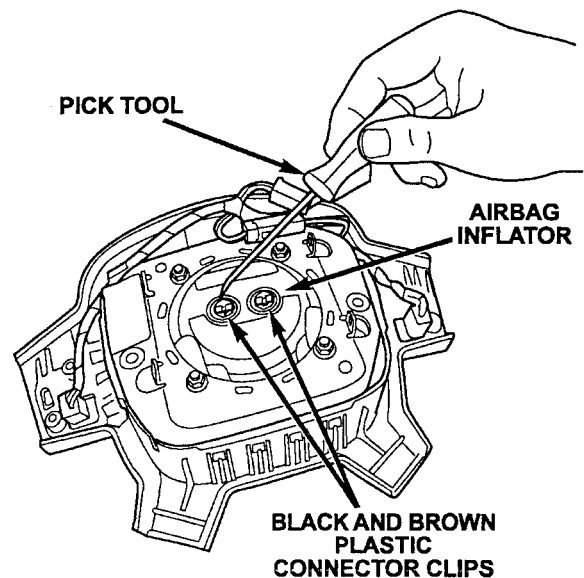


Figure 4

**Service Procedure (Continued)**

- 8. Place the new plastic connector clips onto Special Tool 0387153-01 as shown in Figure 5 and 6.

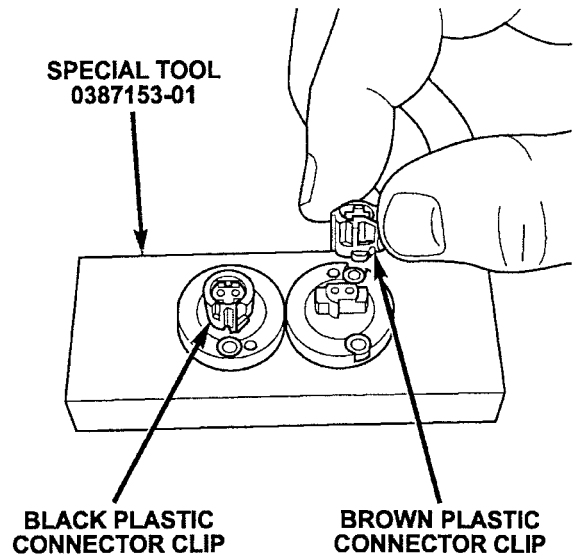


Figure 5

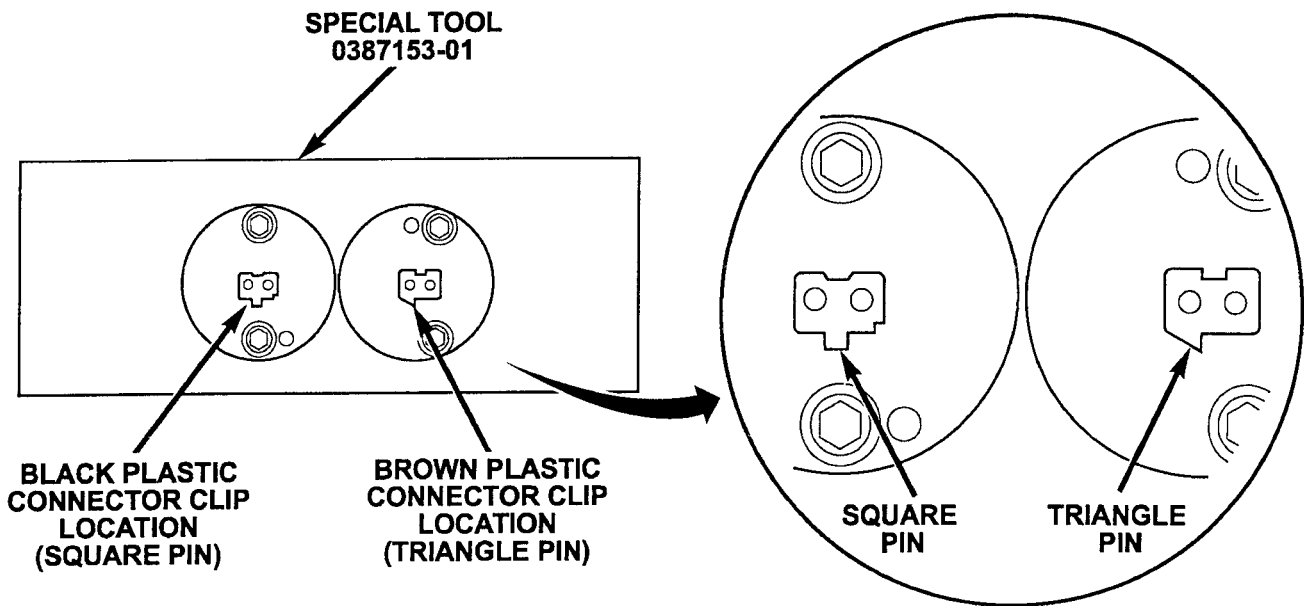


Figure 6

**Service Procedure (Continued)**

- Using Special Tool 0387153-01, install both new plastic connector clips into the airbag inflator at the same time (Figure 7).

**CAUTION:** To ensure that the clips are positioned properly, the special tool will only allow the clips to be installed one way. If the clips do not snap in easily, the tool is up-side-down. Turn the tool around and install the clips.

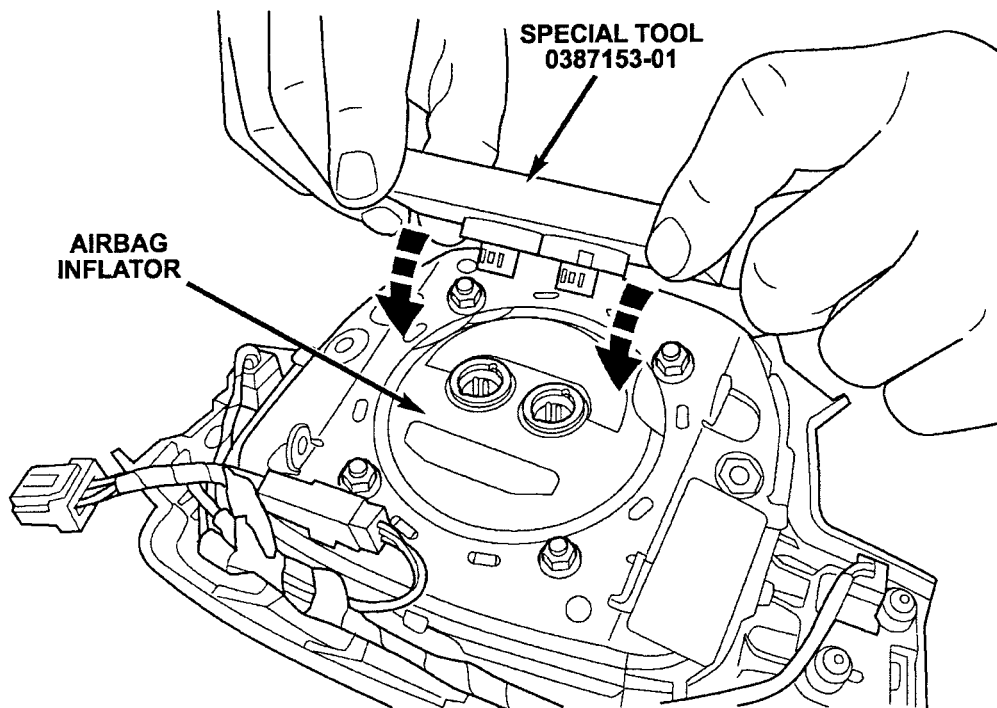
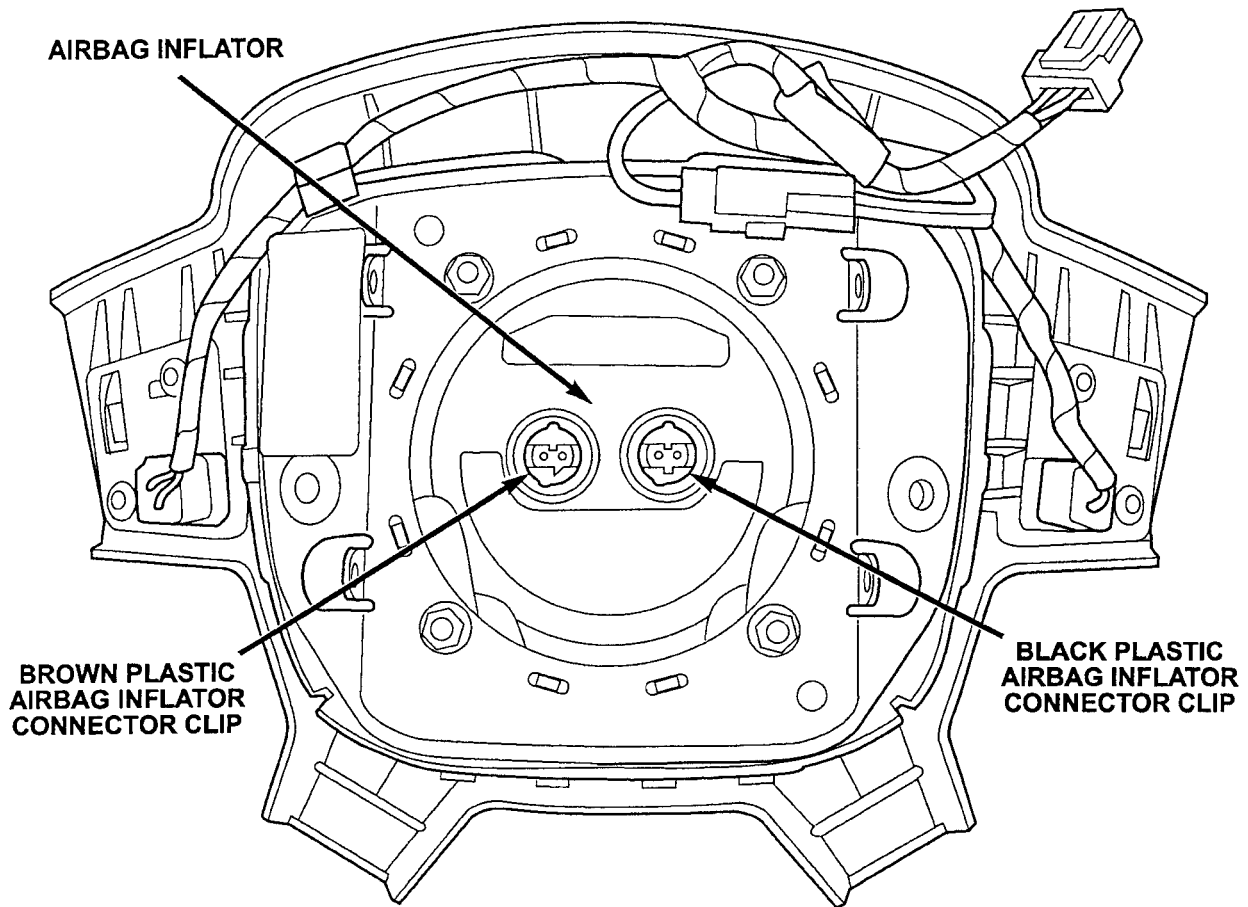


Figure 7

**Service Procedure (Continued)**



**Figure 8 – Correctly Installed Connector Clips**

10. Remove the special tool from the airbag inflator. The plastic airbag inflator connector clips must be in the positions shown in Figure 8.
11. Connect the clock spring airbag wiring harness connectors to the airbag inflator connectors (Figure 3).

**NOTE: The airbag inflator connectors are fully engaged when a distinct audible click is heard as the connector is installed.**

12. Connect the white clock spring horn switch wiring harness connector to the clock spring (Figure 2).
13. Position the driver airbag in the steering wheel.

**CAUTION: Be certain that the clock spring wires in the steering wheel hub area are not pinched between the airbag and the steering wheel.**

**Service Procedure (Continued)**

14. Install and tighten the two screws that secure the airbag to the steering wheel. Tighten the screws to 90 in. lbs. (10 N·m) (Figure 1).
15. Connect the StarSCAN scan tool to the 16-way Data Link Connector (DLC). The DLC is located on the driver side lower edge of the instrument panel, outboard of the steering column.

**NOTE: Be certain that the diagnostic scan tool contains the latest version of the proper diagnostic software.**

16. Turn the ignition switch to the “ON” position and exit the vehicle with the scan tool.
17. Check to be certain that no one is in the vehicle, then reconnect the battery negative cable.
18. Using the scan tool, read and record the **active** (current) Diagnostic Trouble Code (DTC) data.
19. Next, use the scan tool to read and record any **stored** (historical) DTC data.
20. If any DTC is found, refer to the appropriate diagnostic information.
21. Use the scan tool to erase the stored DTC data. If any problems remain, the stored DTC data will not erase. Refer to the appropriate diagnostic information to diagnose any stored DTC that will not erase.
22. Turn the ignition switch to the OFF position for about 15 seconds, and then back to the ON position. Observe the airbag indicator in the instrument cluster. It should light for six to eight seconds, and then go out. This indicates that the supplemental restraint system is functioning normally and that the repairs are complete. If the airbag indicator fails to light, or lights and stays ON, there is still an active supplemental restraint system fault or malfunction. Refer to the appropriate diagnostic information to diagnose the problem.



**Completion Reporting and Reimbursement**

Claims for vehicles that have been serviced must be submitted on the DealerCONNECT Claim Entry Screen located on the Service tab. Claims submitted will be used by DaimlerChrysler to record recall service completions and provide dealer payments.

Use the following labor operation number and time allowance:

	<b>Labor Operation Number</b>	<b>Time Allowance</b>
Replace airbag inflator clips	08-F3-91-82	0.3 hours

Add the cost of the recall parts package plus applicable dealer allowance to your claim.

NOTE: See the Warranty Administration Manual, Recall Claim Processing Section, for complete recall claim processing instructions.

**Dealer Notification**

All dealers will receive a copy of this dealer recall notification letter by mail. Two additional copies will be sent through the DCMMS. To view this notification on DealerCONNECT, select “Global Recall System” on the Service tab, then click on the description of this notification.

**Owner Notification and Service Scheduling**

All involved vehicle owners known to DaimlerChrysler are being notified of the service requirement by first class mail. They are requested to schedule appointments for this service with their dealers. A generic copy of the owner letter is attached.

Enclosed with each owner letter is an Owner Notification postcard to allow owners to update our records if applicable.

Dealers are encouraged to consider alternative scheduling and servicing approaches for this recall. This repair does not require hoists or other full service facility special equipment and is a DaimlerChrysler Mobile Service approved repair.

**Vehicle Lists, Global Recall System, VIP and Dealer Follow Up**

All involved vehicles have been entered into the DealerCONNECT Global Recall System (GRS) and Vehicle Information Plus (VIP) for dealer inquiry as needed.

GRS provides involved dealers with an updated VIN list of their incomplete vehicles. The owner's name, address and phone number are listed if known. Completed vehicles are removed from GRS within several days of repair claim submission.

To use this system, click on the “**Service**” tab and then click on “**Global Recall System.**” Your dealer's VIN list for each recall displayed can be sorted by: those vehicles that were unsold at recall launch, those with a phone number, city, zip code, or VIN sequence.

**Dealers must perform this repair on all unsold vehicles before retail delivery.** Dealers should also use the VIN list to follow up with all owners to schedule appointments for this repair.

*Recall VIN lists may contain confidential, restricted owner name and address information that was obtained from the Department of Motor Vehicles of various states. Use of this information is permitted for this recall only and is strictly prohibited from all other use.*

**Additional Information**

If you have any questions or need assistance in completing this action, please contact your Service and Parts District Manager.

Customer Services Field Operations  
DaimlerChrysler Corporation

# DAIMLERCHRYSLER

## **SAFETY RECALL F39 – AIRBAG INFLATOR CONNECTOR CLIPS**

Dear: (Name)

This notice is sent to you in accordance with the requirements of the National Traffic and Motor Vehicle Safety Act.

DaimlerChrysler Corporation has decided that a defect, which relates to motor vehicle safety, exists in some **2006 model year Jeep® Grand Cherokee vehicles.**

***The problem is...*** **The inflator clips for the driver's airbag on your vehicle (VIN: xxxxxxxxxxxxxxxxx) may have been incorrectly assembled. As a result, the airbag may not inflate properly, which can increase the risk of injury to the driver under certain accident conditions.**

***What your dealer will do...*** **DaimlerChrysler will repair your vehicle free of charge (parts and labor). To do this, your dealer will replace the airbag inflator clips. The work will take about ½ hour to complete. However, additional time may be necessary depending on how dealer appointments are scheduled and processed.**

***What you must do to ensure your safety...*** **Simply contact your dealer right away to schedule a service appointment. Ask the dealer to hold the parts for your vehicle or to order them before your appointment. Remember to bring this letter with you to your dealer.**

***If you need help...*** **If you have questions or concerns which your dealer is unable to resolve, please contact DaimlerChrysler at 1-800-853-1403.**

Please help us update our records, by filling out the attached prepaid postcard, if any of the conditions listed on the card apply to you or your vehicle.

If you have already experienced this condition and have paid to have it repaired, you may send your original receipts and/or other adequate proof of payment to the following address for reimbursement: DaimlerChrysler P.O. Box 4639 Oak Ridge, TN 37831, Attention: Reimbursement.

If your dealer fails or is unable to remedy this defect without charge and within a reasonable time, you may submit a written complaint to the Administrator, National Highway Traffic Safety Administration, 400 Seventh Street, S.W., Washington, DC 20590, or call the toll-free Vehicle Safety Hotline at 1-888-327-4236 (TTY 1-800-424-9153), or go to <http://www.safercar.gov>.

We're sorry for any inconvenience, but we are sincerely concerned about your safety. Thank you for your attention to this important matter.

Customer Services Field Operations  
DaimlerChrysler Corporation  
Notification Code F39

*Buckle up  
for Safety!*

Note to lessors receiving this recall: Federal regulation requires that you forward this recall notice to the lessee within 10 days.